

Kiekis	Aprašymas
--------	-----------

1

Hydro MPC-E 3 CRIE 5-4



Produkto Nr.: [98659401](#)

Pressure booster system supplied as compact assembly according to DIN standard 1988/T5.

All pumps are speed-controlled.

From 0.37 to 11 kW, the booster system is equipped with CR, CRE, CRI, CRIE pumps with electronically commutated permanent-magnet motors with extremely high efficiency. The total efficiency of the motor including the frequency converter applies to IE5 level in IEC60034-31.

From 15 to 22 kW, the booster system is equipped with CR, CRE, CRI, CRIE pumps with motors with integrated frequency control. The total efficiency of the motor including the frequency converter is better than the IE3 level in IEC60034-31, even though this standard only applies to the motor.

- * Hydro MPC-E maintains a constant pressure through continuous adjustment of the speed of the pumps.
- * The system performance is adapted to the demand through cutting in/out the required number of pumps and through parallel control of the pumps in operation.
- * Pump changeover is automatic and depends on load, time and fault.

The system consists of these parts:

:vertical, multistage, centrifugal pumps, type CRIE 5-4

- * Pump parts in contact with the pumped liquid are made of stainless steel EN DIN 1.4301
- * Pump bases and heads are of either cast iron/stainless steel (CRI) or cast iron EN-GJS-500-7 (CR), depending on pump type; other vital parts are made of stainless steel EN DIN 1.4301
- * The pumps are equipped with a service-friendly cartridge shaft seal, HQQE (SiC/SiC/EPDM)
- * Two stainless steel manifolds to EN DIN 1.4571
- * Stainless steel base frame to EN DIN 1.4301 up to CR 64. Above CR 64 the pumps are placed on a galvanized C-profile frame
- * One non-return valve (POM) and two isolating valves for each pump
- * Non-return valves are certified according to DVGW, isolating valves according to DIN and DVGW
- * Adapter with isolating valve for connection of diaphragm tank
- * Pressure gauge and pressure transmitter (analog output 4-20 mA)
- * Control MPC in a steel cabinet, IP54, including main switch, all required fuses, motor protection, switching equipment and microprocessor-controlled CU 352.

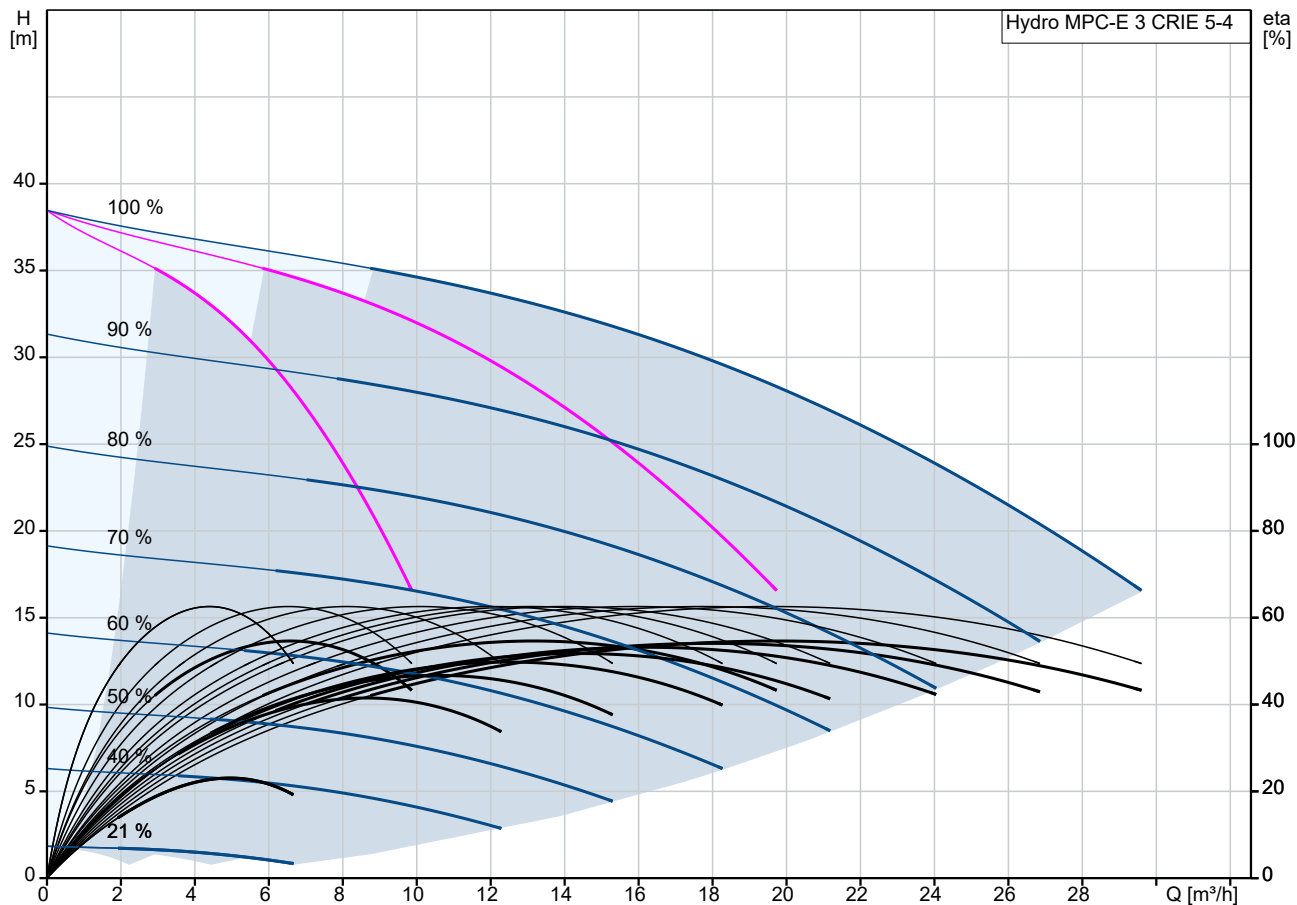
Dry-running protection and diaphragm tank are available according to the list of accessories.

Pump operation is controlled by Control MPC with the following functions:

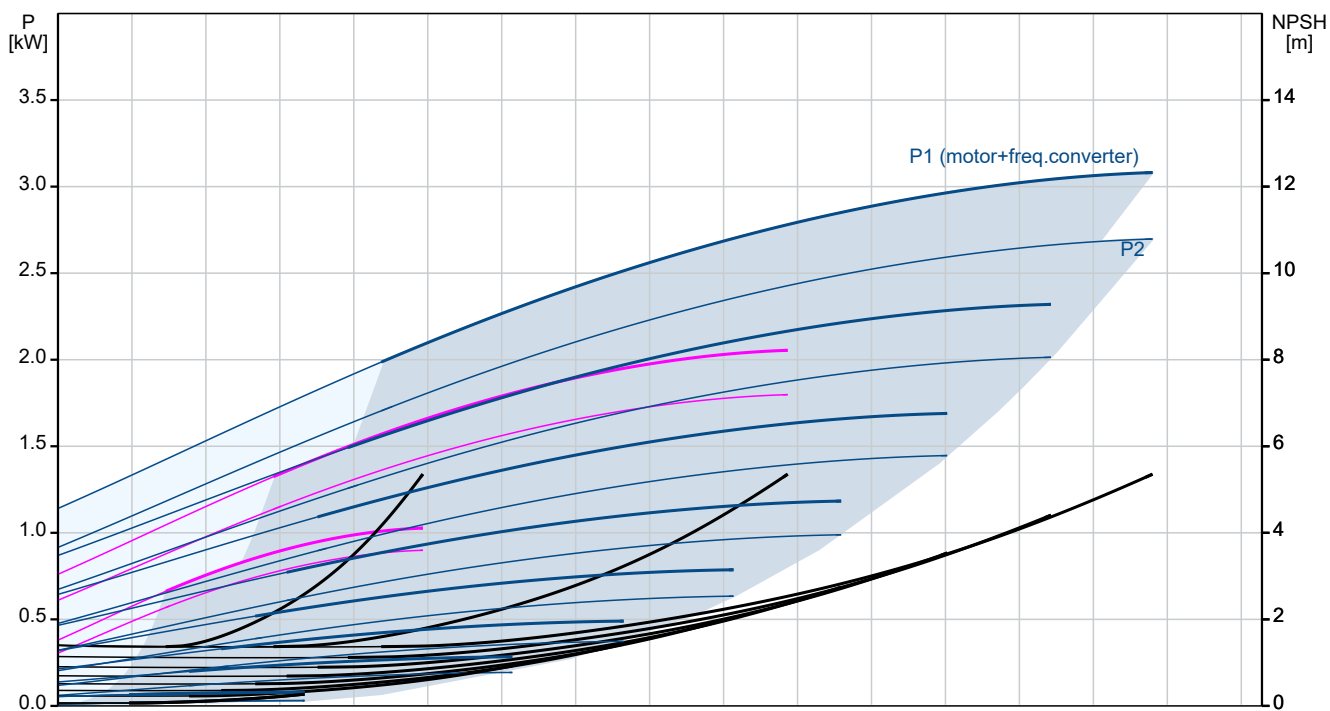
- * Intelligent multipump controller, CU 352.
 - Constant-pressure control through continuously variable adjustment of the speed of each individual pump.
 - PID controller with adjustable PI parameters (Kp + Ti).
 - Constant pressure at setpoint, independent of inlet pressure.
 - Soft pressure build-up (To prevent water hammer during startup).
 - On/off operation at low flow.
 - Automatic cascade control of pumps for optimum efficiency.
 - Selection of min. time between start/stop, automatic pump changeover and pump priority.

Kiekis	Aprašymas														
1	<p>Automatic pump test function to prevent idle pumps from seizing up. Possibility of standby pump allocation. Possibility of backup sensor (redundant primary sensor). Secondary sensor (Possible to switch to another sensor/setpoint). Multi-sensor (up to 6 sensors to influence the setpoint). Manual operation. Possibility of external setpoint influence. Log function. Setpoint ramp. Possibility of digital remote-control functions: System on/off. Max., min. or user-defined duty. Up to 6 alternative setpoints. Digital inputs and outputs can be configured individually. Pump and system monitoring functions: Minimum and maximum limits of current value. Inlet pressure. Non-return valve monitoring. Motor protection. Sensors and cables monitored for malfunction. Alarm log with the previous 24 warnings/alarms. Display and indication functions: Colour screen display. Green indicator light for operating indications and red indicator light for fault indications Potential-free changeover contacts for operation and fault. Grundfos bus communication.</p>														
	<p>It is possible to add CIM communication modules for communicating with Scada/BMS.</p>														
	<p>Pumps, piping, cabling complete as well as Control MPC are mounted on the base frame. The booster system has been preset and tested.</p>														
	<p>Galimi slėgio kėlimo sistemos variantai.</p> <table data-bbox="225 1400 727 1610"> <tr> <td>Skystis:</td> <td>Vanduo</td> </tr> <tr> <td>Leidžiama skysčio temp.:</td> <td>5 °C .. 60 °C</td> </tr> <tr> <td>Maks. sistemos slėgis:</td> <td>16 bar</td> </tr> <tr> <td>Debitas (sistemos):</td> <td>30.6 m³/h</td> </tr> <tr> <td>Nom. sistemos srovė:</td> <td>6 A</td> </tr> <tr> <td>Nominali galia:</td> <td>1.1 kW</td> </tr> <tr> <td>Neto masė:</td> <td>137 kg</td> </tr> </table>	Skystis:	Vanduo	Leidžiama skysčio temp.:	5 °C .. 60 °C	Maks. sistemos slėgis:	16 bar	Debitas (sistemos):	30.6 m ³ /h	Nom. sistemos srovė:	6 A	Nominali galia:	1.1 kW	Neto masė:	137 kg
Skystis:	Vanduo														
Leidžiama skysčio temp.:	5 °C .. 60 °C														
Maks. sistemos slėgis:	16 bar														
Debitas (sistemos):	30.6 m ³ /h														
Nom. sistemos srovė:	6 A														
Nominali galia:	1.1 kW														
Neto masė:	137 kg														

98659401 Hydro MPC-E 3 CRIE 5-4



Nuotoliai armatūroje ir vožtuvuose neįskaityti
Siurbiamas skystis = Vanduo
Skysčio temperatūra darbo metu = 20 °C
Tankis = 998.2 kg/m³



Aprašymas **Vertė**

Bendra informacija:

Produkto pavadinimas: Hydro MPC-E 3 CRIE 5-4
 Produkto Nr.: 98659401
 EAN numeris: 5711499087469

Techniniai duomenys:

Nominalus debitas: 20.7 m³/h
 Maks. debitas: 30.6 m³/h
 Nominalus slėgio aukštis: 26.2 m
 Maks. slėgio aukštis: 39 m
 Pagrindinio siurblio pavadinimas: CRIE 5-4
 Pagrindinio siurblio Nr.: 98390048
 Siurblių skaičius: 3

Medžiagos:

Kolektoriai: EN/DIN 1.4571/ AISI 316 TI

Įrengimas:

Aplinkos temperatūros intervalas: 5 .. 40 °C
 Maksimalus darbinis slėgis: 16 bar
 Vamzdyno įvadas: R 2"
 Vamzdyno išvadas: R 2"
 Slėgis: PN 16
 Įžeminimas: N, PE
 Sistemos projektas: A

Skystis:

Siurbiamas skystis: Vanduo
 Skysčio temperatūros diapazonas: 5 .. 60 °C
 Skysčio temperatūra eksploataavimo metu: 20 °C
 Tankis: 998.2 kg/m³

Elektrotechniniai duomenys:

Pagrindinio siurblio galia (P2): 1.1 kW
 Elektros tinklo dažnis: 50 / 60 Hz
 Nominali įtampa: 3 x 380-415 V
 Nominali sistemos srovė: 6 A
 Paleidimo būdas: Variable frequency drives
 Korpuso klasė (IEC 34-5): IP54
 Radijo trikdžių slopinimas: EMC DIRECTIVE(2014/30/EU)
 Pagrindinio siurblio fazių skaičius: 1

Valdikliai:

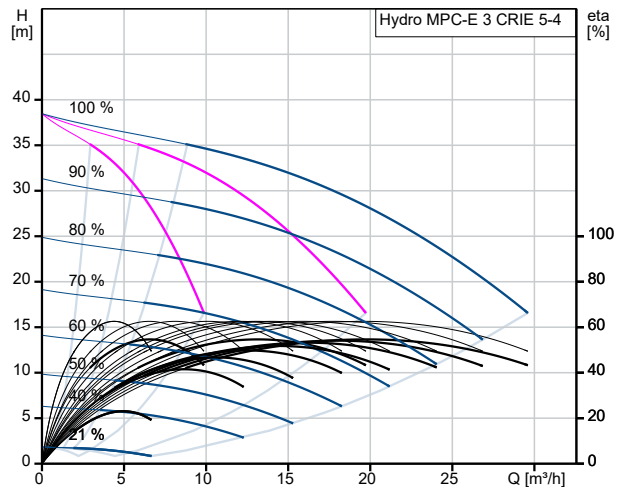
Valdymo tipas: E
 Apsauga nuo sausos eigos, mechaninė: PRESSURE SENSOR 0-6 BAR

Bakas:

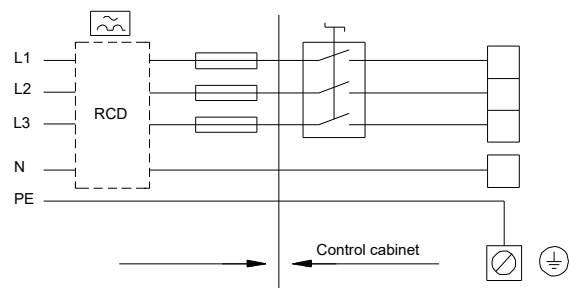
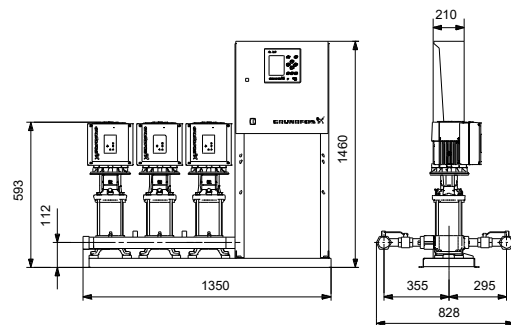
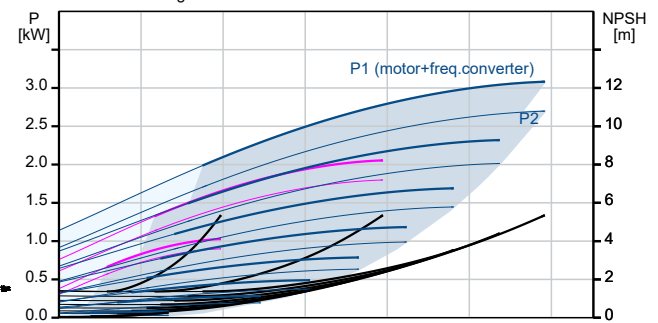
Slėginio bako tūris: 18 l
 Diafragminis bakas: Taip

Kita:

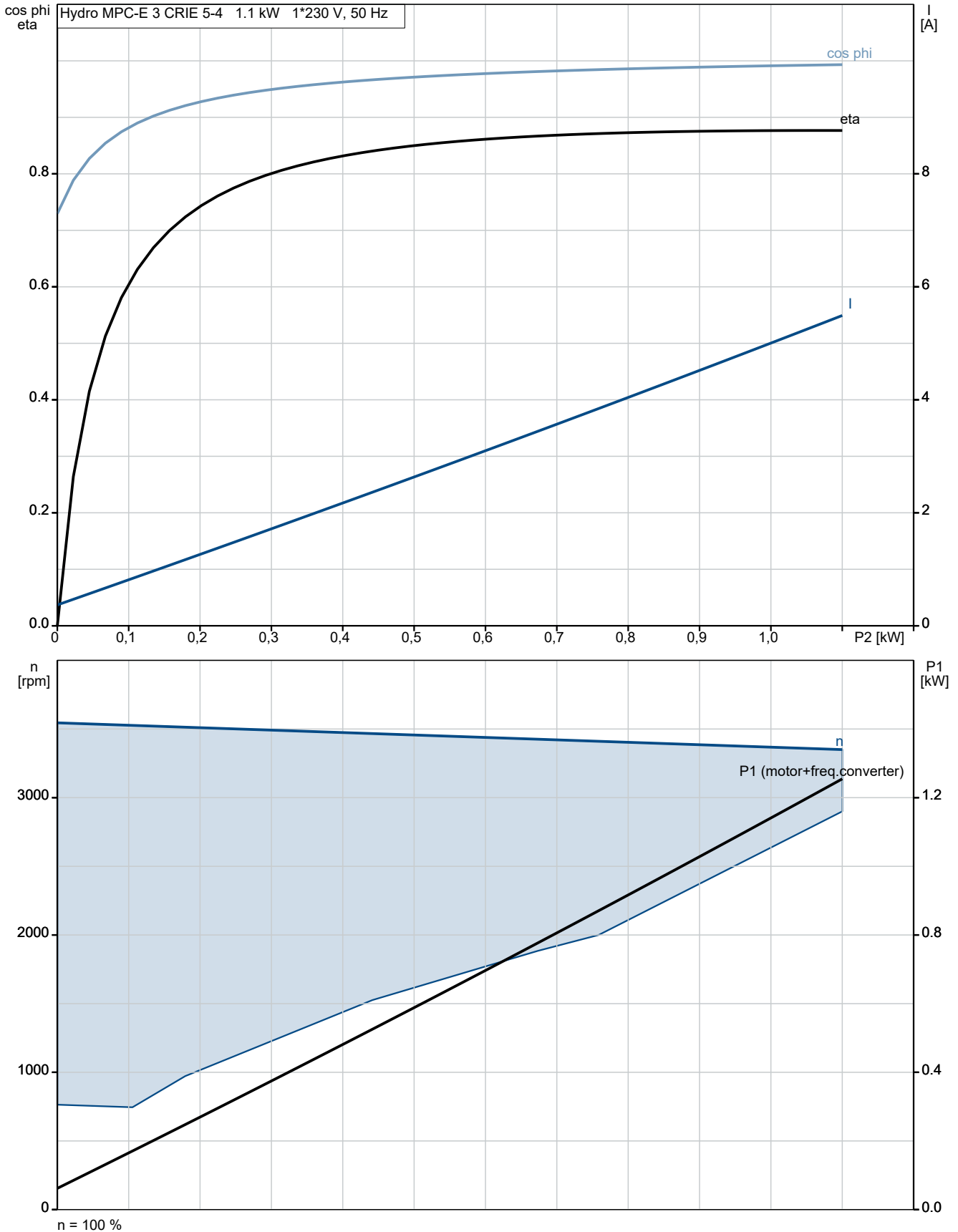
Neto masė: 137 kg
 Bendra masė: 179 kg
 Konfigūracijos failo Nr.: 98272373
 Control MPC konfig. failas: 98271947
 Hydro MPC konfig. failas: 98272015
 Danijos VVS Nr.: 385553554
 Kilmės šalis: DE
 Muitinės kodas: 84137075



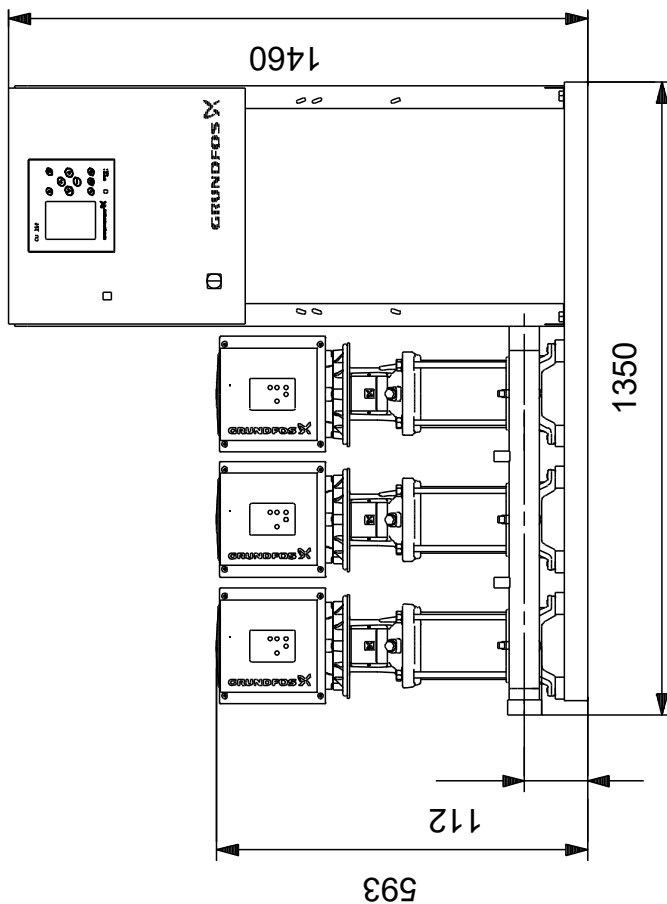
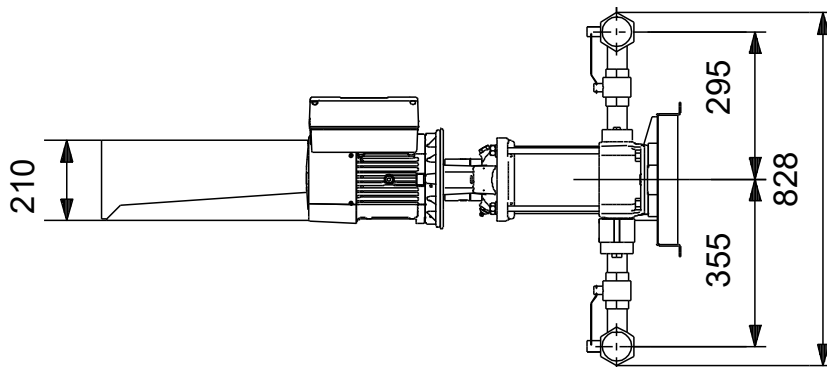
Nuotoliai armatūroje ir vožtuvuose neįskaityti
 Siurbiamas skystis = Vanduo
 Skysčio temperatūra darbo metu = 20 °C
 Tankis = 998.2 kg/m³



98659401 Hydro MPC-E 3 CRIE 5-4

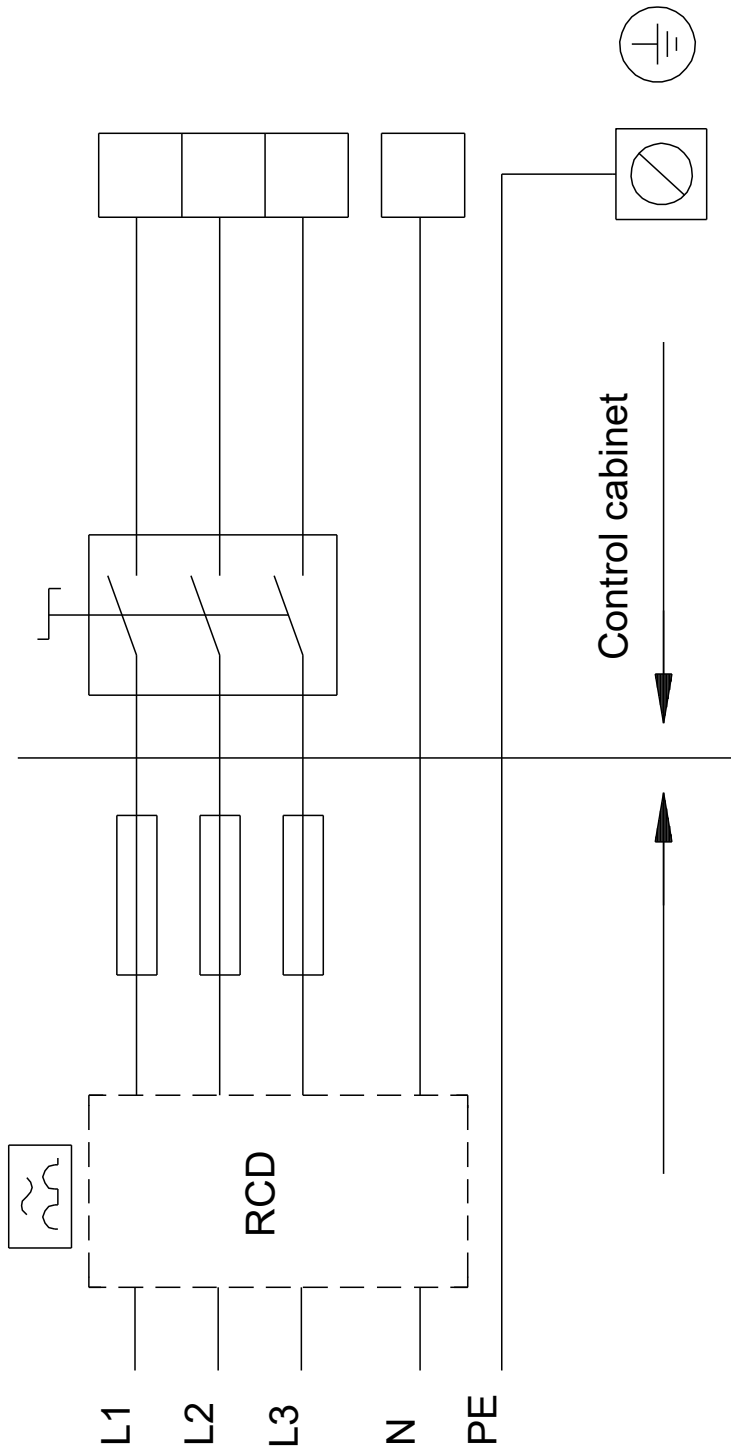


98659401 Hydro MPC-E 3 CRIE 5-4



Atkreipkite dėmesį! Visi matmenys, jei nenurodyta kitaip, pateikti milimetrais.
Atsakomybės apribojimas: šiame supaprastintame matmenų brėžinyje neparodytos visos detalės.

98659401 Hydro MPC-E 3 CRIE 5-4



Atkreipkite dėmesį! Visi matmenys, jei nenurodyta kitaip, pateikti milimetrais.