

Kiekis	Aprašymas
--------	-----------

1

MAGNA1 80-80 F



Atkreipkite dėmesį! Paveikslėlyje parodytas produktas gali skirtis nuo tikrojo

Produkto Nr.: [99221407](#)

The Grundfos MAGNA1 circulator pump is the simple option for a job well done.

With its high energy efficiency the product lives up to the EuP 2015 regulations ensuring substantial savings on electricity, and with its intuitive, user-friendly interface and maintenance-free design, MAGNA1 is the ideal circulator pump for basic performance needs in applications where basic system control and monitoring are desired.

With this range of circulator pumps, everything from setup to basic control and monitoring are made easy. The pump is maintenance-free due to the canned-rotor type design.

MAGNA1 offers the possibility of monitoring the pump via the fault relay output. The digital start/stop input remotely controls the pump.

The pump communicates wirelessly with the Grundfos GO Remote app.

MAGNA1 can work as main pump in both heating and cooling applications, including:

- Mixing loops
- Heating surfaces
- Air-conditioning surfaces
- Ground-source heat pump systems
- Smaller chiller applications.

MAGNA1 is a single-phase pump and characterised by having the controller and operating panel integrated in the control box.

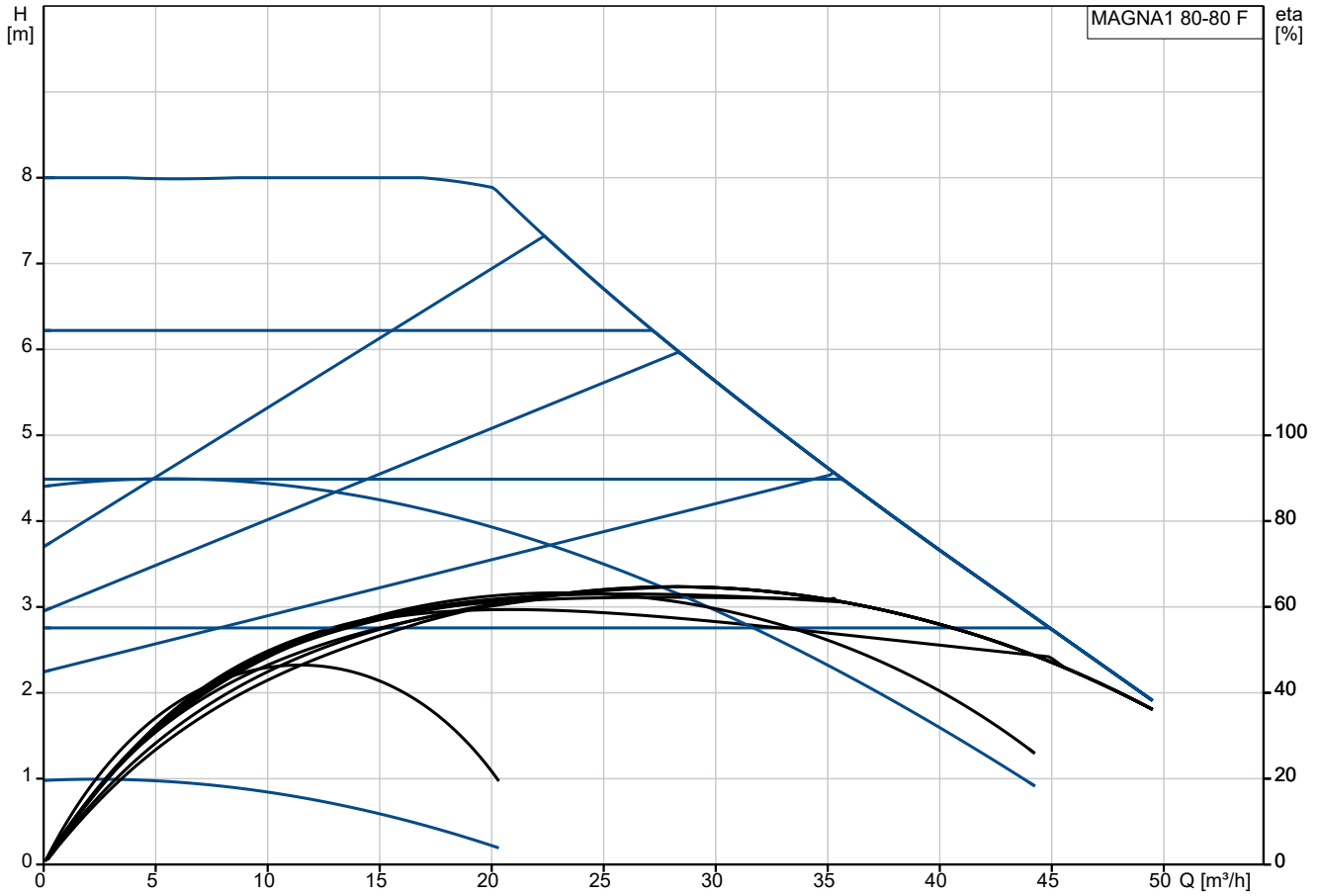
The pump housing is available in both cast-iron and stainless-steel versions.

The composite rotor can be carbon-fibre reinforced, the bearing plate and rotor cladding are made of stainless steel and the stator housing is made of aluminium.

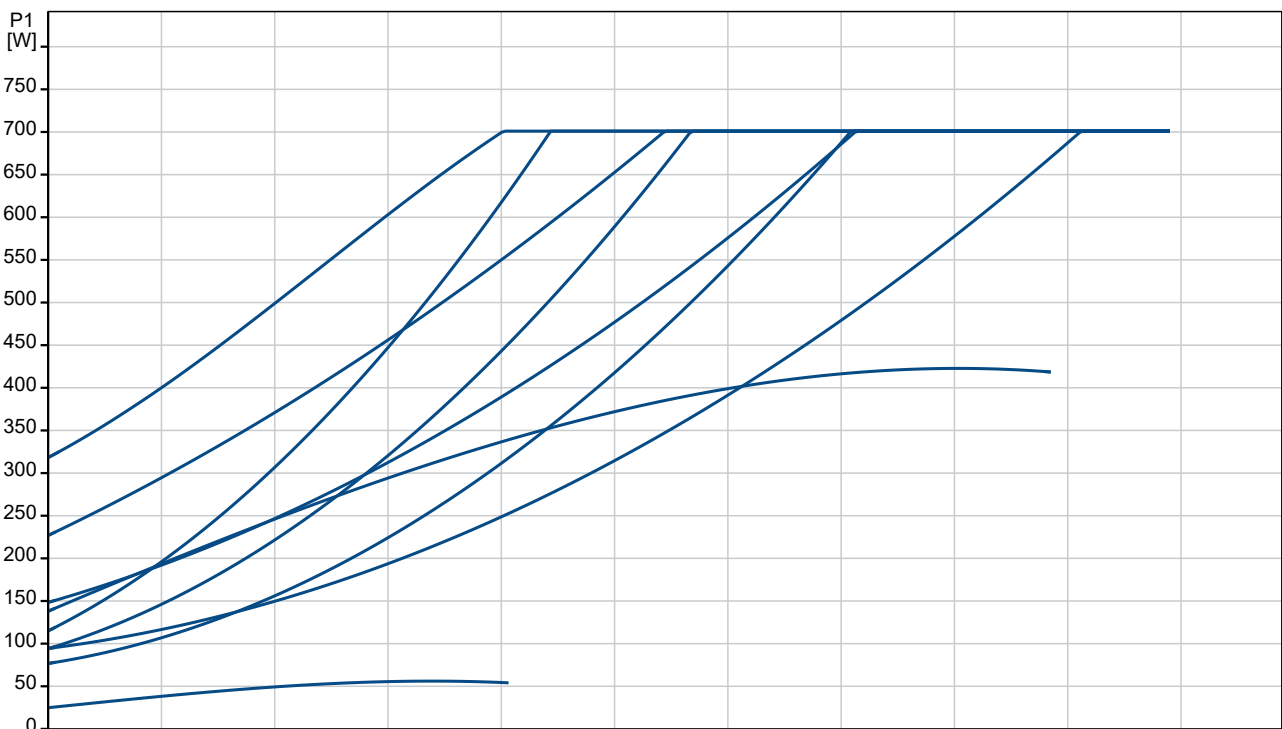
The power electronics are air-cooled.

The pump incorporates a 4-pole synchronous, permanent-magnet motor (PM motor). This motor type is characterised by higher efficiency than a conventional asynchronous squirrel-cage motor. The pump speed is controlled by an integrated frequency converter.

## 99221407 MAGNA1 80-80 F



Siurbiamas skystis = Vanduo  
 Skysčio temperatūra darbo metu = 60 °C  
 Tankis = 983.2 kg/m³



**Aprašymas Vertė**

**Bendra informacija:**

Produkto pavadinimas: MAGNA1 80-80 F

Produkto Nr.: 99221407

EAN numeris: 5712608943799

**Techniniai duomenys:**

Maximum head: 80 dm

TF klasė: 110

Approvals: CE, VDE, EAC, MOROCCO, UKCA, TSE, RCM, UkrSEPRO

Modelis: C

**Medžiagos:**

Siurblio korpusas: Ketus

Siurblio korpusas: EN 1561 EN-GJL-250

Siurblio korpusas: ASTM A48-250B

Darbaratis: Kompozitas

**Įrengimas:**

Aplinkos temperatūros intervalas: 0 .. 40 °C

Maksimalus darbinis slėgis: 6 bar

Jungties tipas: DIN

Jungties dydis: DN 80

Vamzdžio jungties slėgio klasė: PN 6

Port-to-port length: 360 mm

**Skystis:**

Siurbiamas skystis: Vanduo

Skysčio temperatūros diapazonas: -10 .. 110 °C

Skysčio temperatūra eksploataavimo metu: 60 °C

Tankis: 983.2 kg/m<sup>3</sup>

**Elektrotechniniai duomenys:**

Maksimali naudojama galia - P1: 715 W

P1 min.: 26.32 W

Elektros tinklo dažnis: 50 / 60 Hz

Nominali įtampa: 1 x 230 V

Minimum current consumption: 0.28 A

Didžiausias srovės suvartojimas: 3.14 A

Korpuso klasė (IEC 34-5): X4D

Izoliacijos klasė (IEC 85): F

**Kita:**

Energy (EEL): 0.20

Neto masė: 28.7 kg

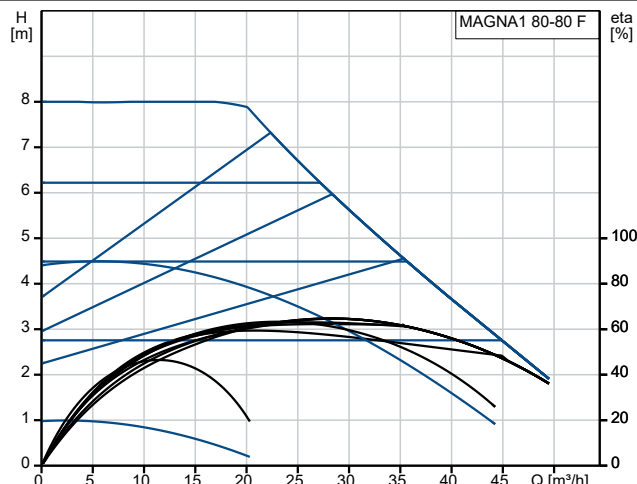
Bruto masė: 31.5 kg

Tiekimo tūris: 0.071 m<sup>3</sup>

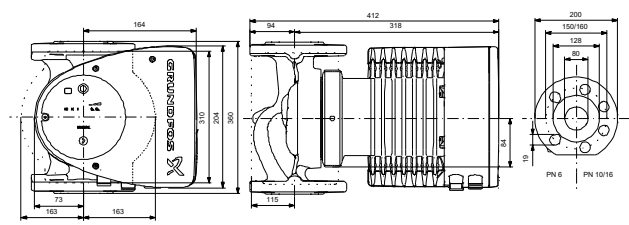
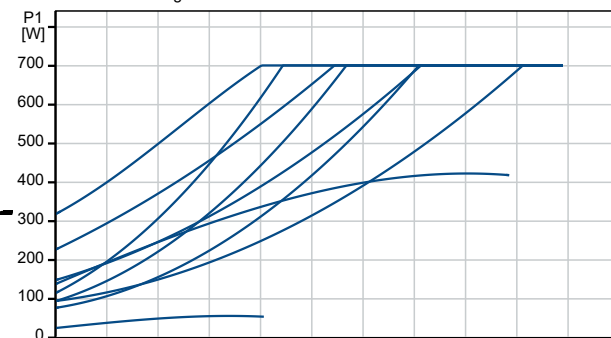
Kilmės šalis: DE

Muitinės kodas: 84137030

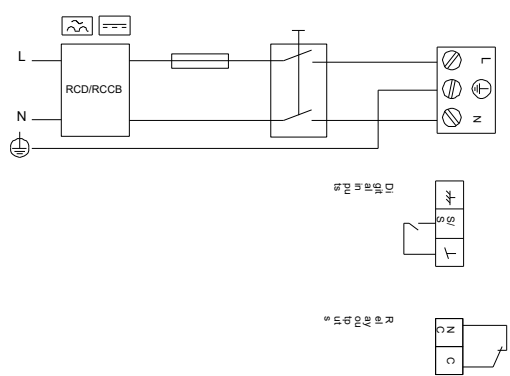
Environmental approvals: CN ROHS, WEEE



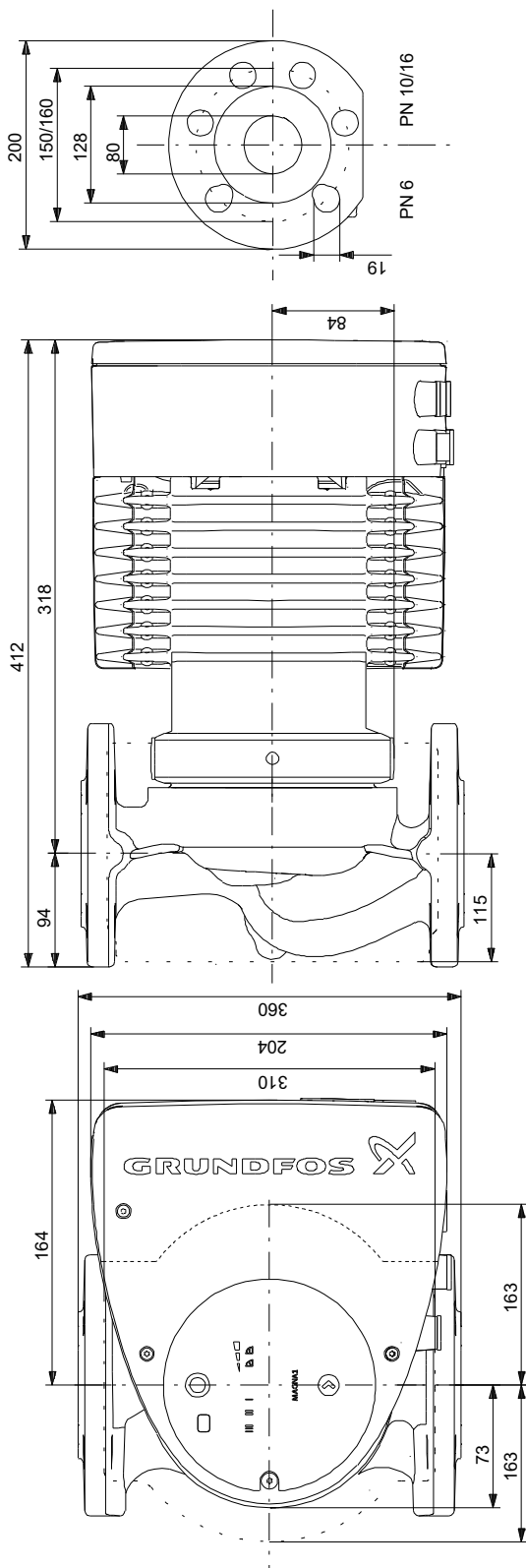
Siurbiamas skystis = Vanduo  
Skysčio temperatūra darbo metu = 60 °C  
Tankis = 983.2 kg/m<sup>3</sup>



Example of mains-connected motor with mains switch, backup fuse and additional protection



## 99221407 MAGNA1 80-80 F

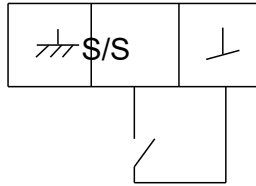
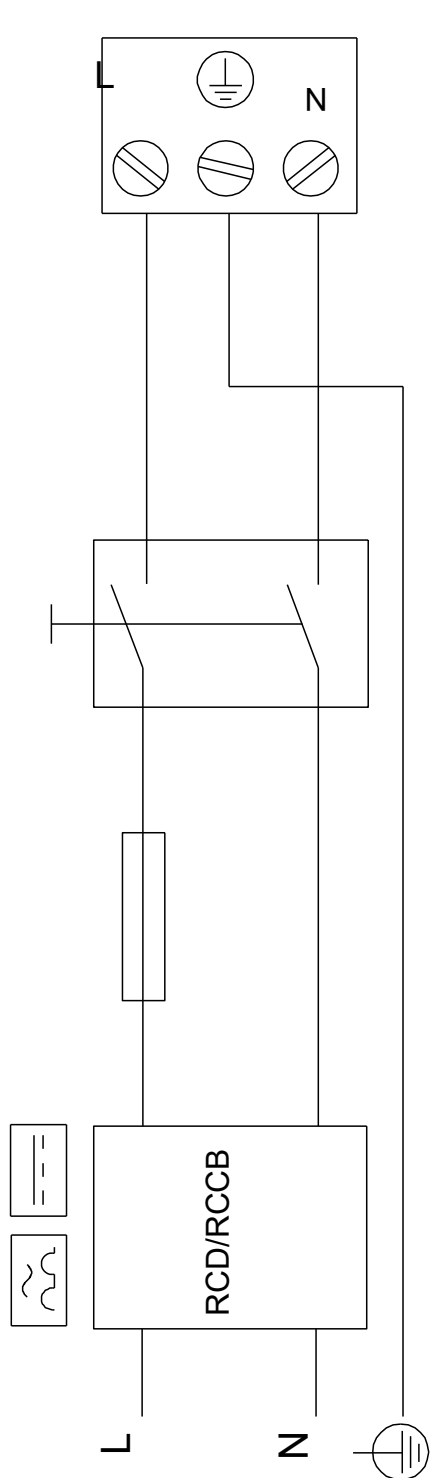


Atkreipkite dėmesį! Visi matmenys, jei nenurodyta kitaip, pateikti milimetrais.

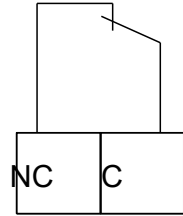
Atsakomybės apribojimas: šiame supaprastintame matmenų brėžinyje neparodytos visos detalės.

## 99221407 MAGNA1 80-80 F

Example of mains-connected motor  
with mains switch, backup fuse and additional protection



Digital inputs



Relay outputs

Atkreipkite dėmesį! Visi matmenys, jei nenurodyta kitaip, pateikti milimetrais.