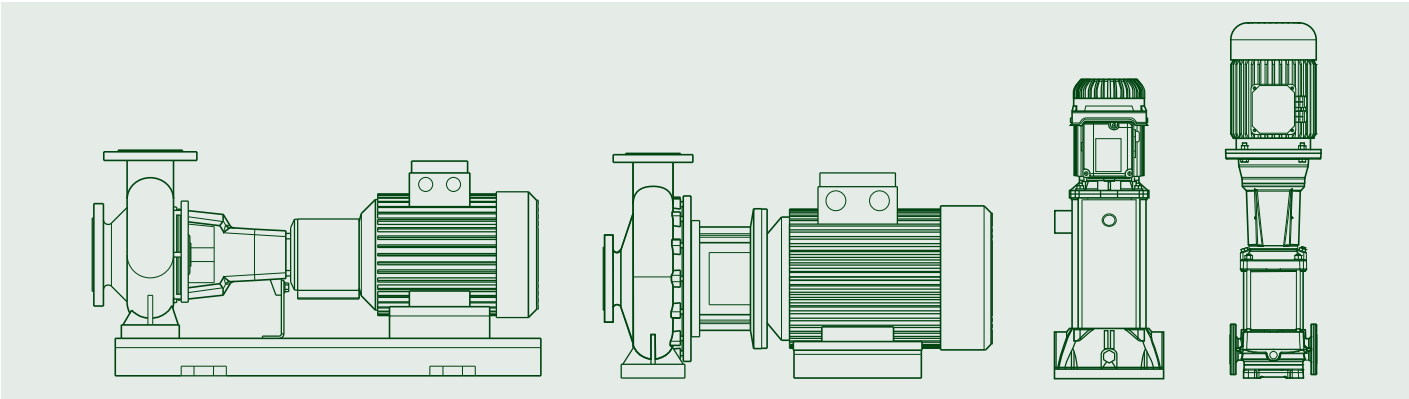


# CENTRIFUGAL PUMPS



**TECHNICAL  
CATALOGUE**



## TECHNICAL DATA

**Operating range:** flow rate up to 11 m<sup>3</sup>/h, with head up to 40 meters

**Pumped liquid:** clean, free of solids and abrasives, non-viscous, non-aggressive, non-crystallised and chemically neutral, with properties similar to water

**Liquid temperature range:** from -10°C to +90°C

**Maximum ambient temperature:** +40°C

**Maximum operating pressure:** 8 bar

**Protection class:** IP 55

**Insulation class:** F

**Standard Voltage:**

single-phase 220-230 V 50 Hz

three-phase 230 / 400 V 50Hz

**Installation:** horizontal or vertical position, provided that the motor is always above the pump

**Special executions on requests:**

**V version:** Alox Ceramic/Carbon/FKM: for oily liquids (up to 110°C) and propylene glycol

**VS version:** SiC/SiC/FKM: for oily liquids (up to 110°C) and fluids with abrasive particles

**E version:** SiC/Carbon/EPDM: high temperature water up to 120 °C and ethylene glycol

## APPLICATIONS

Single-impeller stainless steel end suction centrifugal pump, suitable for thermal waters, industrial washing, civil and industrial pressure boosting (cold, hot, refrigerated liquid).

## CONSTRUCTION FEATURES OF THE PUMP

The Pump body and impeller in stainless steel AISI 304 make the pump more resistant to the corrosion, reliable and compact.

The support in aluminium and the mechanical seal in Carbon Ceramic and NBR complete the hydraulic part of the pump.

The pump is MEI comply.

## CONSTRUCTION FEATURES OF THE MOTOR

Closed asynchronous type, external ventilation cooling.

Rotor running on ball bearings, oversized to ensure low noise and durability.

Standard built-in thermo-ampereometric protection. Capacitor permanently fitted on single phase versions.

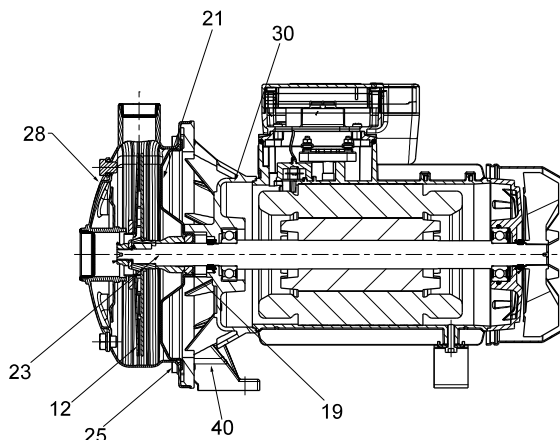
For the protection of the three-phase motor, we recommend the use of remote overload cut-outs, in compliance with current local regulations.

Construction according to CEI 2-3.

Three-phase IE2 motors as standard.

## MATERIALS

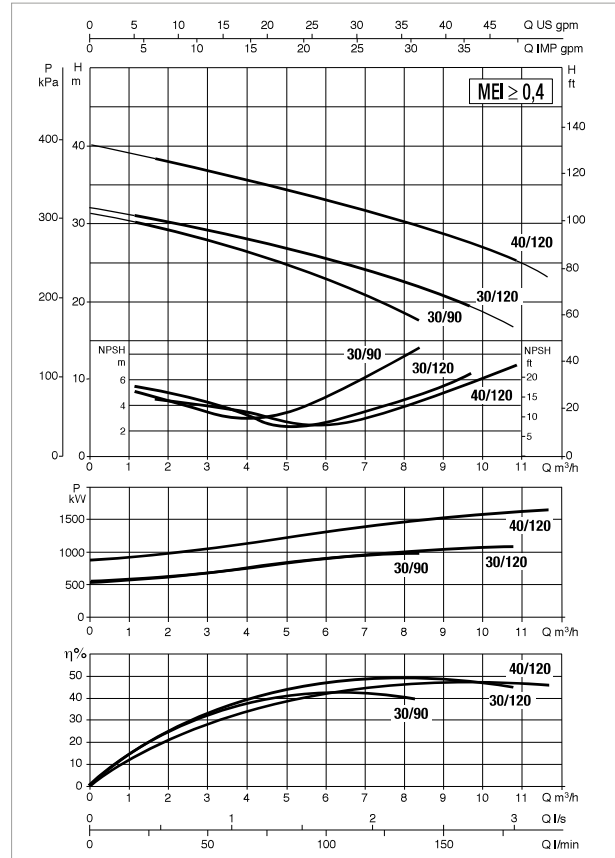
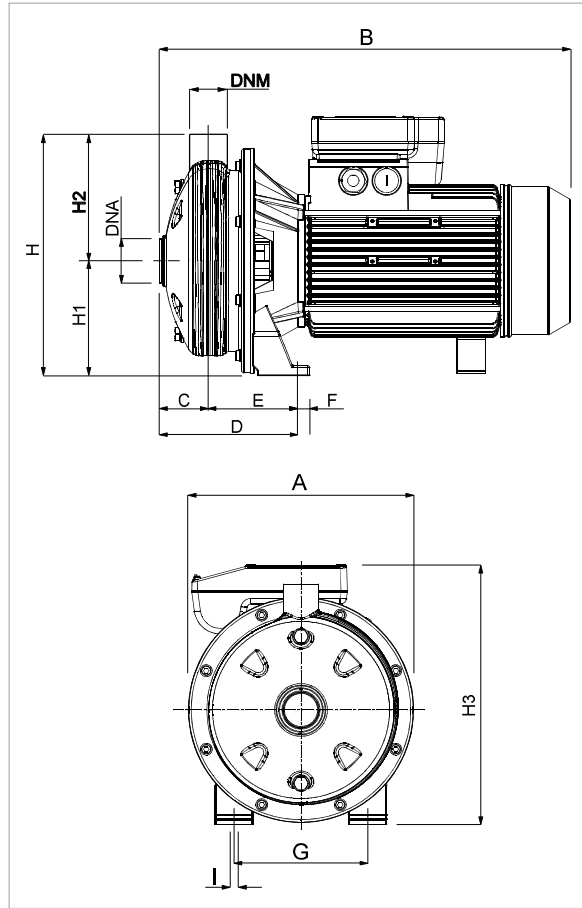
N°	PART	MATERIALS
28	PUMP BODY	STAINLESS STEEL AISI 304 X5CrNi 1810 UNI 6900/71
12	IMPELLER	STAINLESS STEEL AISI 304 X5CrNi 1810 UNI 6900/71
19	MECHANICAL SEAL (*)	CARBON/CERAMIC/NBR/AISI316
21	MECHANICAL SEAL DISC	STAINLESS STEEL AISI 304
25	O-RING	NBR RUBBER
23	PUMP SHAFT	STAINLESS STEEL AISI 303 X10CrNiS 1089 UNI 6900/71
30	MOTOR CASE	ALUMINIUM
40	MOTOR SUPPORT	ALUMINIUM



(\*) Special mechanical seal: Alox Ceramic/Carbon/FKM - SiC/SiC/FKM - SiC/Carbon/EPDM

# KI - SINGLE IMPELLER PUMP

Liquid temperature range: from -10°C to +90°C - Maximum operating pressure: 8 bar



The performance curves are based on kinematic viscosity values = 1 mm²/s and density equal to 1000 kg/m³. Curve tolerance according to ISO 9906.

MODEL	Q=m³/h	0	1,2	3	4,8	5,4	6,6	7,8	8,4	9,6	10,8	11,7
	Q=l/min	0	20	50	80	90	110	130	140	160	180	195
KI 30/90 M - T	H (m)	31,4	30,1	27,8	25,1	24	21,7	19	17,5			
KI 30/120 M - T		32	30,7	28,9	27	26,3	24,8	22,8	21,6	19,2	16,5	
KI 40/120 M* - T*		40,3	39,1	37,2	35,2	34,5	33	31,3	30,4	28,5	26,4	23

MODEL	POWER INPUT 50 Hz	P1 max kW	POWER P2		In A	MOTOR TYPE	CAPACITOR		MEI
			kW	Hp			uF	Vc	
KI 30/90 M	1x220-230 V	1,4	0,75	1	6,5	-	25	450	≥ 0,4
KI 30/90 T	3x230/400 V	1,25	0,75	1	4 / 2,3	IE3	-	-	≥ 0,4
KI 30/120 M	1x220-230 V	1,55	1	1,36	7	-	25	450	≥ 0,4
KI 30/120 T	3x230/400 V	1,4	1	1,36	4,7 / 2,7	IE3	-	-	≥ 0,4
KI 40/120 M*	1x220-230 V	2,2	1,5	2	9,7	-	40	450	-
KI 40/120 T*	3x230/400 V	2,1	1,5	2	7 / 4,1	IE3	-	-	-
KI 30/90 T	3x230/400 V	1,29	0,75	1	4,5 / 2,6	IE2	-	-	≥ 0,4
KI 30/120 T	3x230/400 V	1,45	1	1,36	5 / 2,9	IE2	-	-	≥ 0,4
KI 40/120 T*	3x230/400 V	2,2	1,5	2	7,5 / 4,3	IE2	-	-	-

MODEL	A	B	C	D	E	F	G	H	H1	H2	H3	ø I	DNA	DNM	PACKING DIMENSIONS			WEIGHT Kg	Q.TY X PALLET
															L/A	L/B	H		
KI 30/90 M	214	337	53	143,5	90,5	13	130	232	108	124	-	9	1"1/4 G	1" G	400	240	275	13,4	27
KI 30/90 T	214	354	53	144	91	13	130	232	108	124	-	9	1"1/4 G	1" G	400	240	275	12,2	27
KI 30/120 M	214	337	53	143,5	90,5	13	130	232	108	124	-	9	1"1/4 G	1" G	400	240	275	13,4	27
KI 30/120 T	214	354	53	143,5	90,5	13	130	232	108	124	-	9	1"1/4 G	1" G	400	240	275	12,3	27
KI 40/120 M*	236	432	53	146,5	93,5	13	140	252	120	132	272	9	1"1/4 G	1" G	500	300	315	19,6	18
KI 40/120 T*	236	432	53	159	94	13	140	252	120	132	272	9	1"1/4 G	1" G	500	300	315	19,3	27
KI 30/90 T	214	354	53	144	91	13	130	232	108	124	-	9	1"1/4 G	1" G	400	240	275	12,2	27
KI 30/120 T	214	354	53	143,5	90,5	13	130	232	108	124	-	9	1"1/4 G	1" G	400	240	275	13,8	27
KI 40/120 T*	236	432	53	159	94	13	140	252	120	132	272	9	1"1/4 G	1" G	500	300	315	19,3	27

**DAB**  
PUMPS SELECTOR

On-line product selection



**DAB PUMPS LTD.**  
6 Gilberd Court  
Newcomen Way  
Severalls Business Park  
Colchester  
Essex  
CO4 9WN - UK  
salesuk@dwtgroup.com  
Tel. +44 0333 777 5010



**DAB PUMPS IBERICA S.L.**  
Calle Verano 18-20-22  
28850 - Torrejón de Ardoz - Madrid  
Spain  
Info.spain@dwtgroup.com  
Tel. +34 91 6569545  
Fax: + 34 91 6569676



**DAB PUMPS SOUTH AFRICA (PTY) LTD**  
Twenty One Industrial Estate,  
16 Purlin Street, Unit B, Warehouse 4  
Ollifantsfontein - 1666 - South Africa  
info.sa@dwtgroup.com  
Tel. +27 12 361 3997



**DAB PUMPS BV**  
'tHofveld 6 C1  
1702 Groot Bijgaarden - Belgium  
info.belgium@dwtgroup.com  
Tel. +32 2 4668353



**DAB PUMPS HUNGARY KFT.**  
H-8800  
Nagykanizsa, Buda Ernő u.5  
Hungary  
Tel. +36 93501700



**DAB PUMPS (QINGDAO) CO. LTD.**  
No.40 Kaituo Road, Qingdao Economic & Technological  
Development Zone  
Qingdao City, Shandong Province - China  
PC: 266500  
sales.cn@dwtgroup.com  
Tel. +86 400 186 8280  
Fax +86 53286812210



**DAB PUMPS B.V.**  
Albert Einsteinweg, 4  
5151 DL Drunen - Nederland  
info.netherlands@dwtgroup.com  
Tel. +31 416 387280  
Fax +31 416 387299



**DAB PUMPS POLAND Sp. z o.o.**  
Ul. Janka Muzykanta 60  
02-188 Warszawa - Poland  
polska@dabpumps.com.pl



**DAB PUMPS DE MÉXICO, S.A. DE C.V.**  
Av Amsterdam 101 Local 4  
Col. Hipódromo Condesa,  
Del. Cuauhtémoc CP 06170  
Ciudad de México  
Tel. +52 55 6719 0493



**OOO DAB PUMPS**  
Novgorodskaya str. 1, block G  
office 308, 127247, Moscow - Russia  
info.russia@dwtgroup.com  
Tel. +7 495 122 0035  
Fax +7 495 122 0036



**DAB PUMPEN DEUTSCHLAND GmbH**  
Tackweg 11  
D - 47918 Tönisvorst - Germany  
info.germany@dwtgroup.com  
Tel. +49 2151 82136-0  
Fax +49 2151 82136-36



**DAB PUMPS INC.**  
3226 Benchmark Drive  
Ladson, SC 29456 - USA  
info.usa@dwtgroup.com  
Tel. 1- 843-797-5002  
Fax 1-843-797-3366



**DAB PUMPS OCEANIA PTY LTD**  
426 South Gippsland Hwy,  
Dandenong South VIC 3175 - Australia  
info.oceania@dwtgroup.com  
Tel. +61 1300 378 677