

Receiver

From

Company
Reference
Address
Phone
Fax
E-mail

Item n° : Customer pos. no.:

1D7311GGV
Model :
CP-G 125-4750/A/BAQE/37 IE3

Pump data

MEI \geq 0,50
Pressure rating : PN 16
Min. fluid temperature : -10 °C
Max. fluid temperature : 140 °C
Max. Ambient temperature : 40 °C

Requested data

Flow :
Head :
Fluid (%) :
Fluid Temperature : 20 °C
Density : 998,3 kg/m³
Kinematic viscosity : 1,005 mm²/s
Vapor pressure : 0,00 MPa

Hydraulic data (duty point)

Flow :
Head :
NPSH :
Shaft power P2 :
Efficiency :

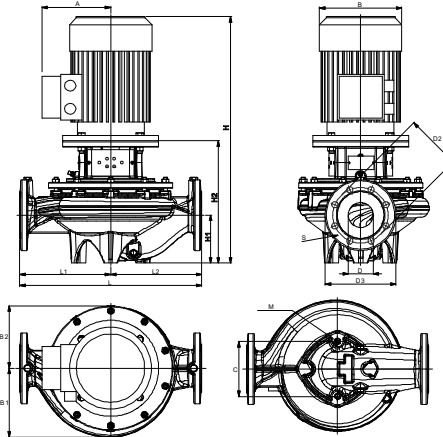
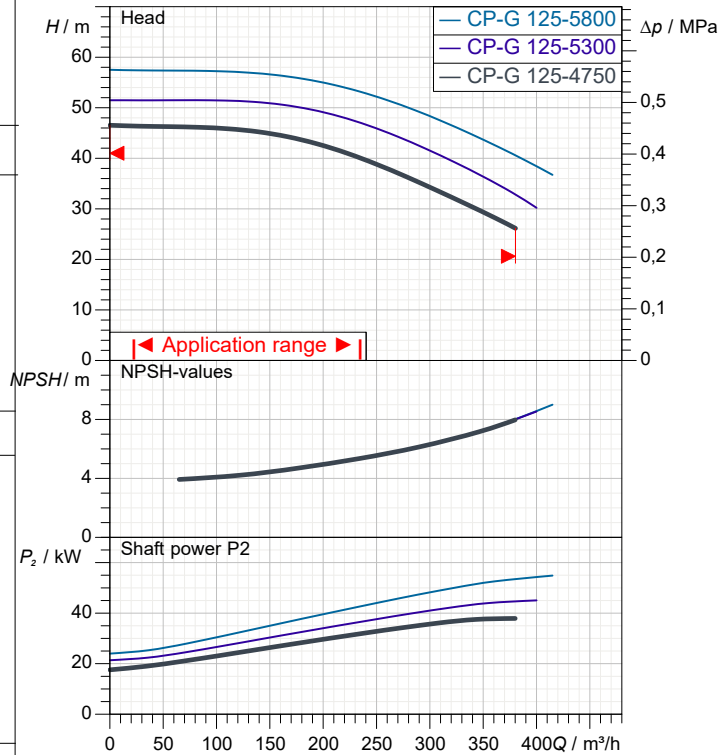
Materials

Pump body : Cast iron 250 UNI ISO 185
Support : Cast iron 250 UNI ISO 185
Impeller : Cast iron 250 UNI ISO 185
Mechanical seal : SEE "SHAFT SEAL" SECTION
O-Ring : EPDM Rubber
Shaft with rotor : AISI 304 X5 Cr Ni 1810 UNI 6900/71

Motor data

Nominal power P2 : 37 kW
Rated speed : 2.960 1/min
Rated voltage : 3~ 400 V 50 Hz
Nominal current : 63 A
Degree of protection : IP 55

Curve tolerance according to ISO 9906



Weight : 444 kg

Dimensions in mm

A	292	H2	528
B1	252	L	620
B2	210	L1	310
C	230	L2	310
D	125	M	M16
D2	210	S	8 x Ø18
D3	250		
H	1.198		

Pump connection

Suction side : DN 125 / PN 16
Discharge side : DN 125 / PN 16

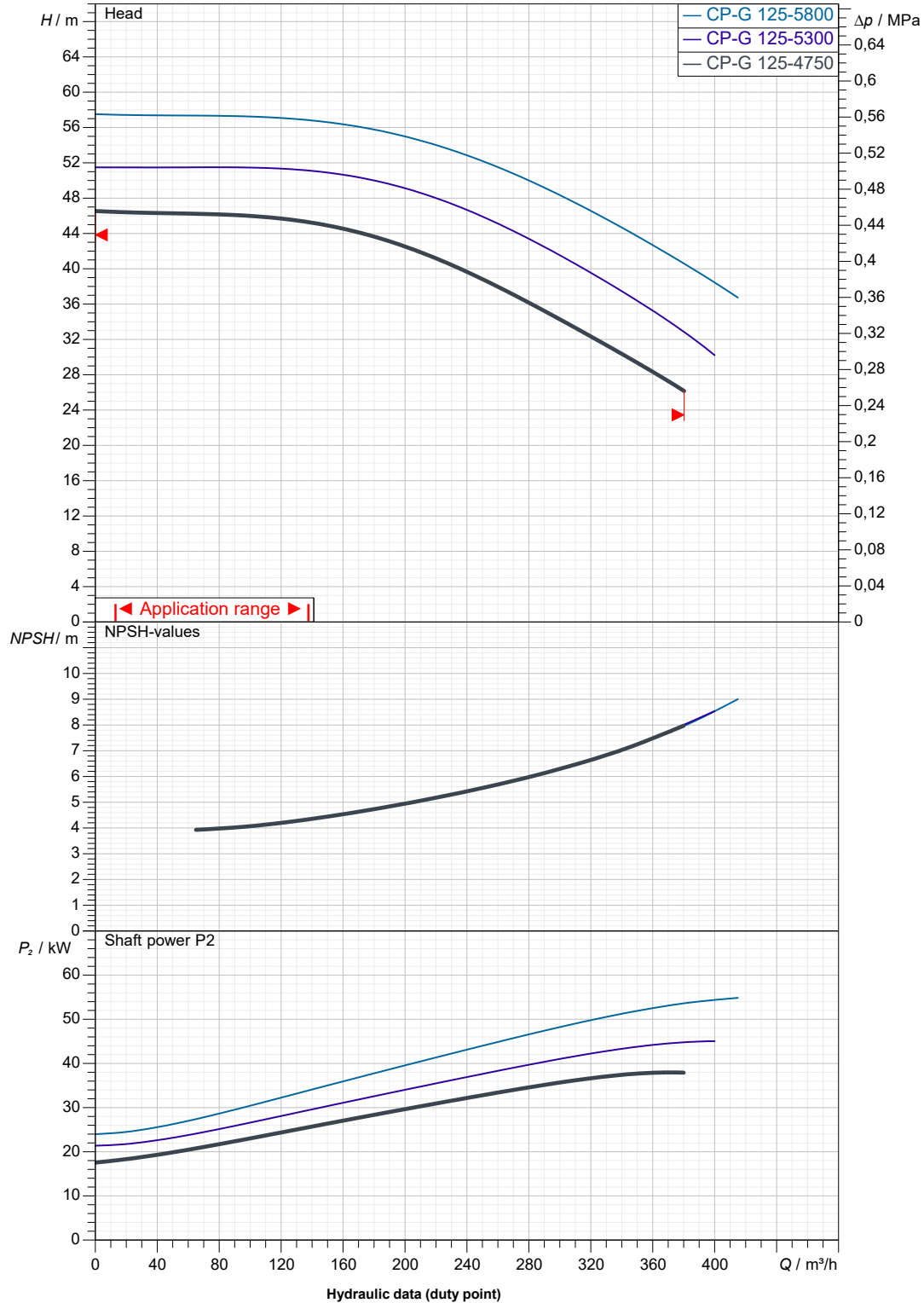
Receiver

From

Company
Reference
Address
Phone
Fax
E-mail

CP-G 125-4750/A/BAQE/37 IE3

Curve tolerance according to ISO 9906



Suction side :
DN 125
PN 16

Discharge side :
DN 125
PN 16

Flow :

Head :

Rated speed :
2.960 1/min

MAIN_PROJECT_TITLE

BUSINESS_PROCESS_IT

OWNER_

ISSUE_DATE
2023-11-22



DIMENSIONAL DRAWING

DAB PUMPS S.p.A.
Via Marco Polo, 14 - 35035 Mestrino (PD), Italy
Tel. +39 049 5125000 - Fax +39 049 5125950
www.dabpumps.com

2023-11-22

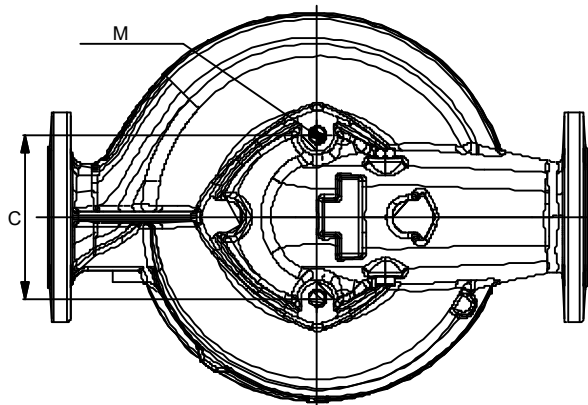
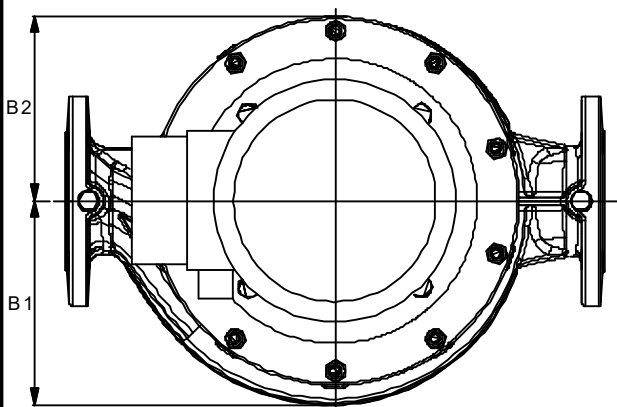
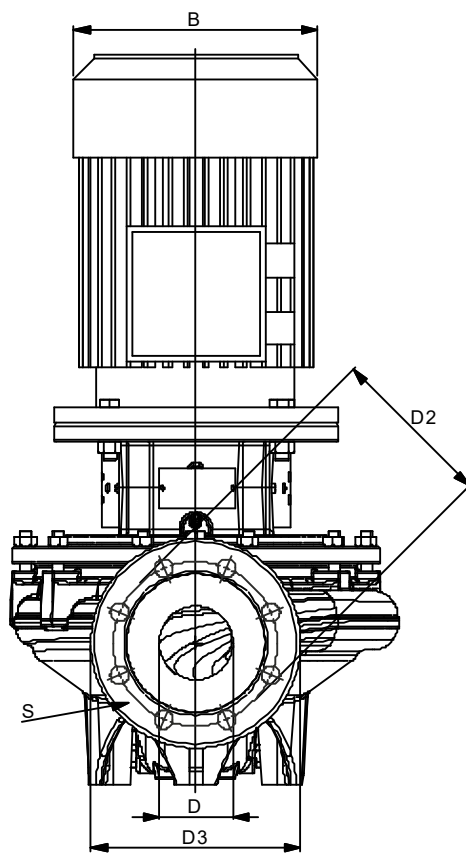
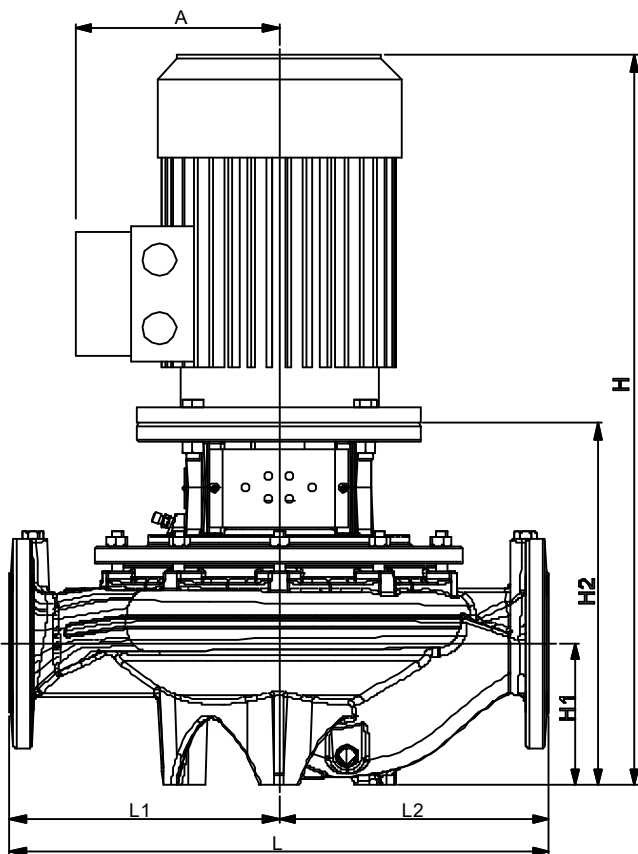
Page 3 / 3

Receiver

From

Company
Reference
Address
Phone
Fax
E-mail

CP-G 125-4750/A/BAQE/37 IE3



Dimensions in mm

1	A	292	L2	310
2	B1	252	M	M16
3	B2	210	S	8 x Ø18
4	C	230		
5	D	125		
6	D2	210		
7	D3	250		
8	H	1.198		
9	H2	528		
10	L	620		
11	L1	310		

Pump connection

Suction
DN 125
PN 16

Discharge
DN 125
PN 16

MAIN_PROJECT_TITLE

BUSINESS_PROCESS_ID

OWNER

ISSUE_DATE

2023-11-22