

### Receiver

### From

Company  
Reference  
Address  
Phone  
Fax  
E-mail

**Item n° :** 60179404  
**Customer pos. no.:**  
**Model :** KI 30/120 T IE3  
Standard version

**Pump data**  
MEI ≥ 0,40  
Pressure rating : 0,8 MPa  
Min. fluid temperature : -10 °C  
Max. fluid temperature : 90  
Max. Ambient temperature : 40 °C

**Requested data**  
Flow :  
Head :  
Fluid : Water  
Fluid Temperature : 20 °C  
Density : 998,3 kg/m<sup>3</sup>  
Kinematic viscosity : 1,005 mm<sup>2</sup>/s  
Vapor pressure : 0,00 MPa

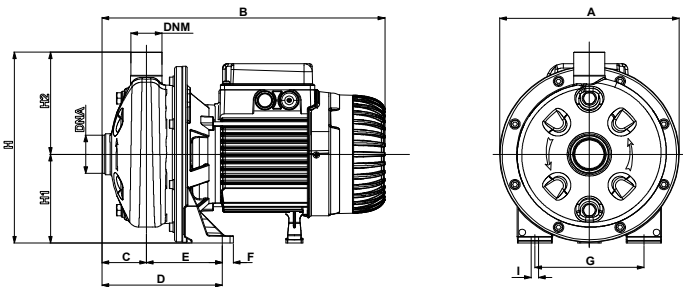
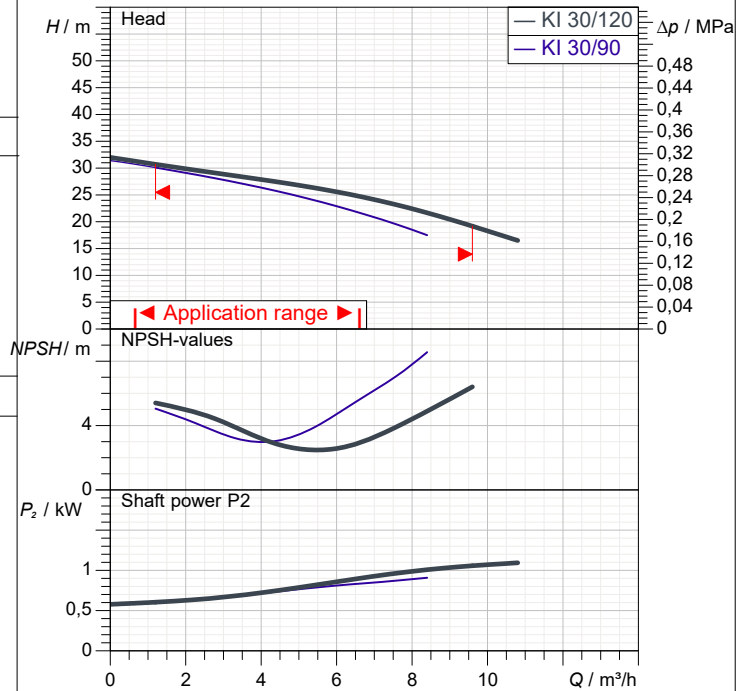
**Hydraulic data (duty point)**  
Flow :  
Head :  
NPSH :  
Shaft power P2 :  
Efficiency :

**Materials**  
Pump body : AISI 304 X5 Cr Ni 1810 UNI 6900/71  
Impeller : AISI 304 X5 Cr Ni 1810 UNI 6900/71  
Mechanical seal : Carbon/Ceramic/NBR  
Seal disk : Stainless Steel AISI 304  
O-Ring : NBR Rubber  
Shaft with rotor : AISI 303 X10 CrNiS 1809 UNI 6900/71  
Motor casing : Aluminium

**Motor data**  
Motor brand : DAB  
Nominal power P2 : 1 kW  
Rated speed : 2.800 1/min  
Rated voltage : 3~ 230 V 50 Hz  
Nominal current : 5 A  
Degree of protection : IP 55

**Pump connection**  
Suction side : 1" 1/4 G / 0,8 MPa  
Discharge side : 1" G / 0,8 MPa

### Curve tolerance according to ISO 9906



**Weight :** 13,8 kg

### Dimensions in mm

A	214
B	354
C	53
D	143,5
DNA	1"1/4 G
DNM	1" G
E	90,5
F	13
G	130
H	232
H1	108
H2	124
IØ	9

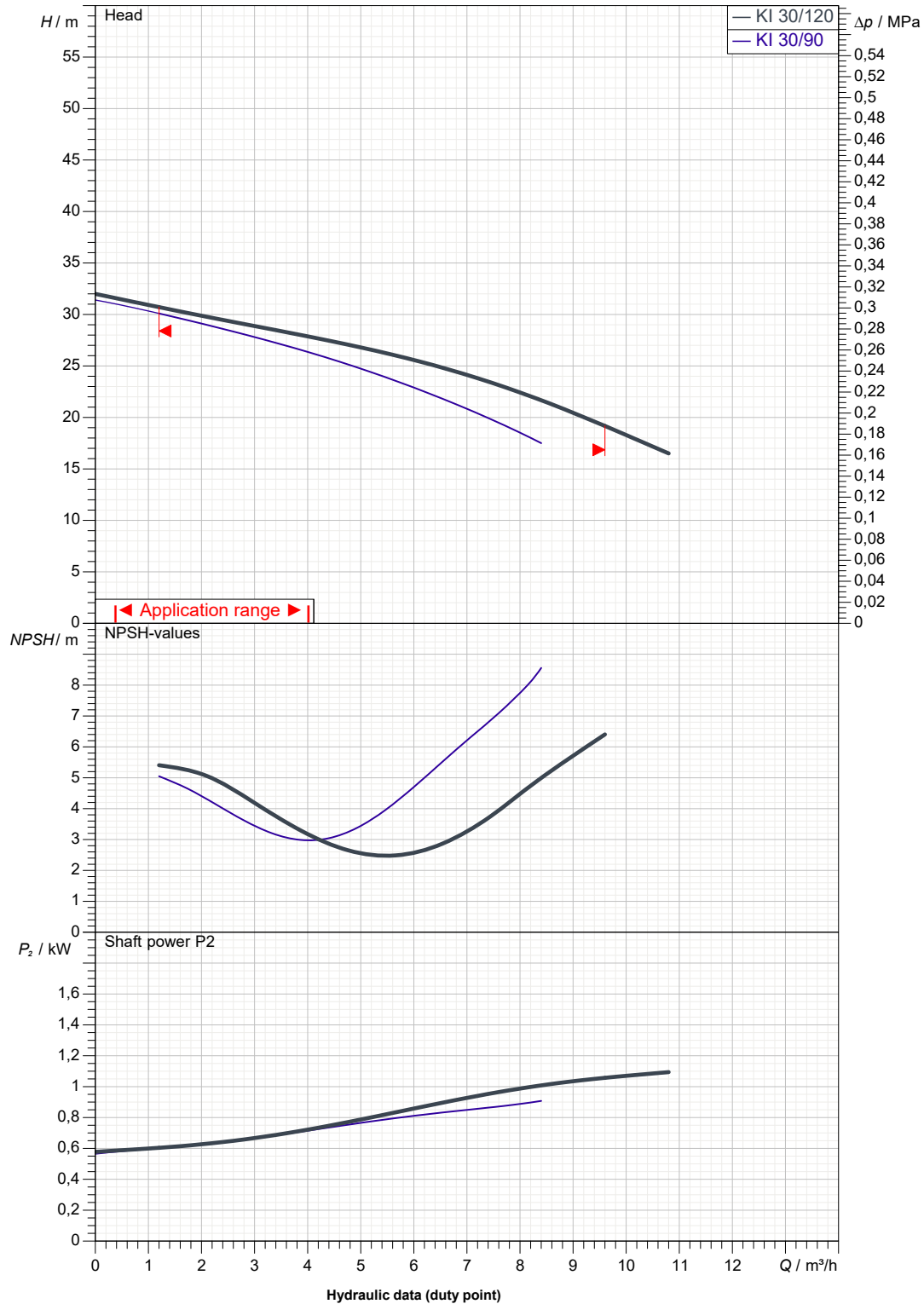
Receiver

From

 Company  
 Reference  
 Address  
 Phone  
 Fax  
 E-mail

**KI 30/120 T IE3**

Curve tolerance according to ISO 9906


 Suction side :  
 1" 1/4 G  
 0,8 MPa

 Discharge side :  
 1" G  
 0,8 MPa

Flow :

Head :

 Rated speed :  
 2.800 1/min

MAIN\_PROJECT\_TITLE

BUSINESS\_PROCESS\_IC

OWNER\_

 ISSUE\_DATE  
 2023-12-01



# DIMENSIONAL DRAWING

2023-12-01

Page 3 / 3

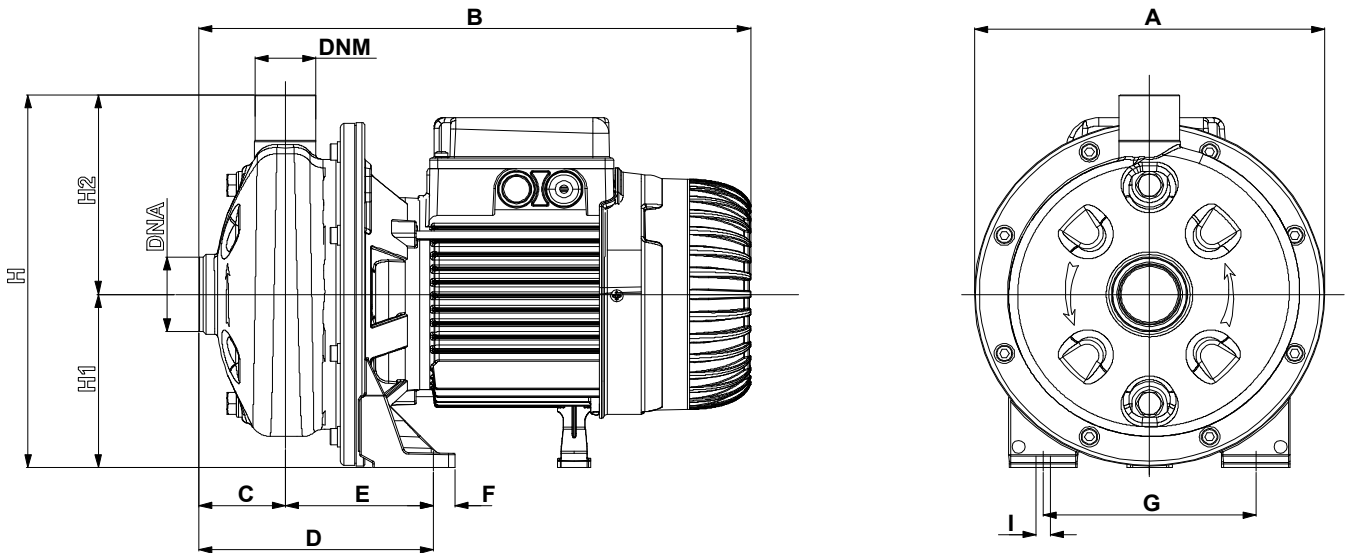
DAB PUMPS S.p.A.  
Via Marco Polo, 14 - 35035 Mestrino (PD), Italy  
Tel. +39 049 5125000 - Fax +39 049 5125950  
www.dabpumps.com

Receiver

From

Company  
Reference  
Address  
Phone  
Fax  
E-mail

## KI 30/120 T IE3



Dimensions in mm						Pump connection
1	A	214	H2	124		Suction 1" 1/4 G 0,8 MPa  Discharge 1" G 0,8 MPa
2	B	354	∅	9		
3	C	53				
4	D	143,5				
5	DNA	1" 1/4 G				
6	DNM	1" G				
7	E	90,5				
8	F	13				
9	G	130				
10	H	232				
11	H1	108				

MAIN_PROJECT_TITLE	BUSINESS_PROCESS_ID	OWNER_	ISSUE_DATE 2023-12-01
--------------------	---------------------	--------	--------------------------