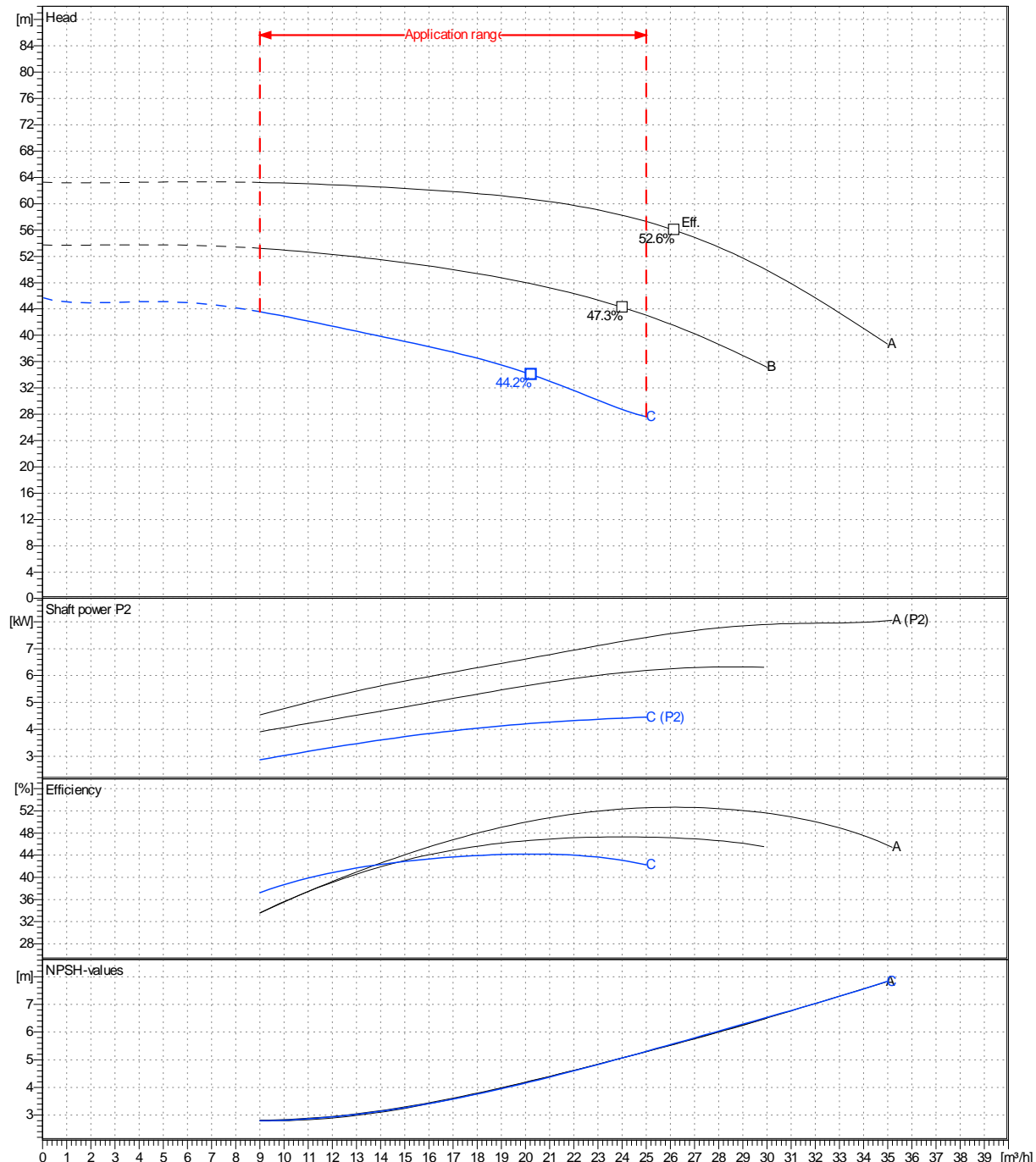


Receiver		From	
Company name			
Respons. Department			
Person in charge			
Phone number			
Fax no			
E-mail address			

Operating area	Flow	Head	Impeller type
Operating data specification	0 m ³ /h	0 m	Impeller construction
Pump data	m ³ /h	m	Sense of rotation
			Outlet width
			Speed
			1/min 2900
	Min. Max. η Max.	H(Q=0) η Max.	P2(Q=0) Max. η Max.
	m ³ /h m ³ /h m ³ /h	m m	kW kW kW
	9 25 20.3	45.7 34	4.45 4.22
			Frequency
			Hz

Performance data based to: Water, pure [100%] ; 20°C; 0.998kg/dm³; 1mm²/s

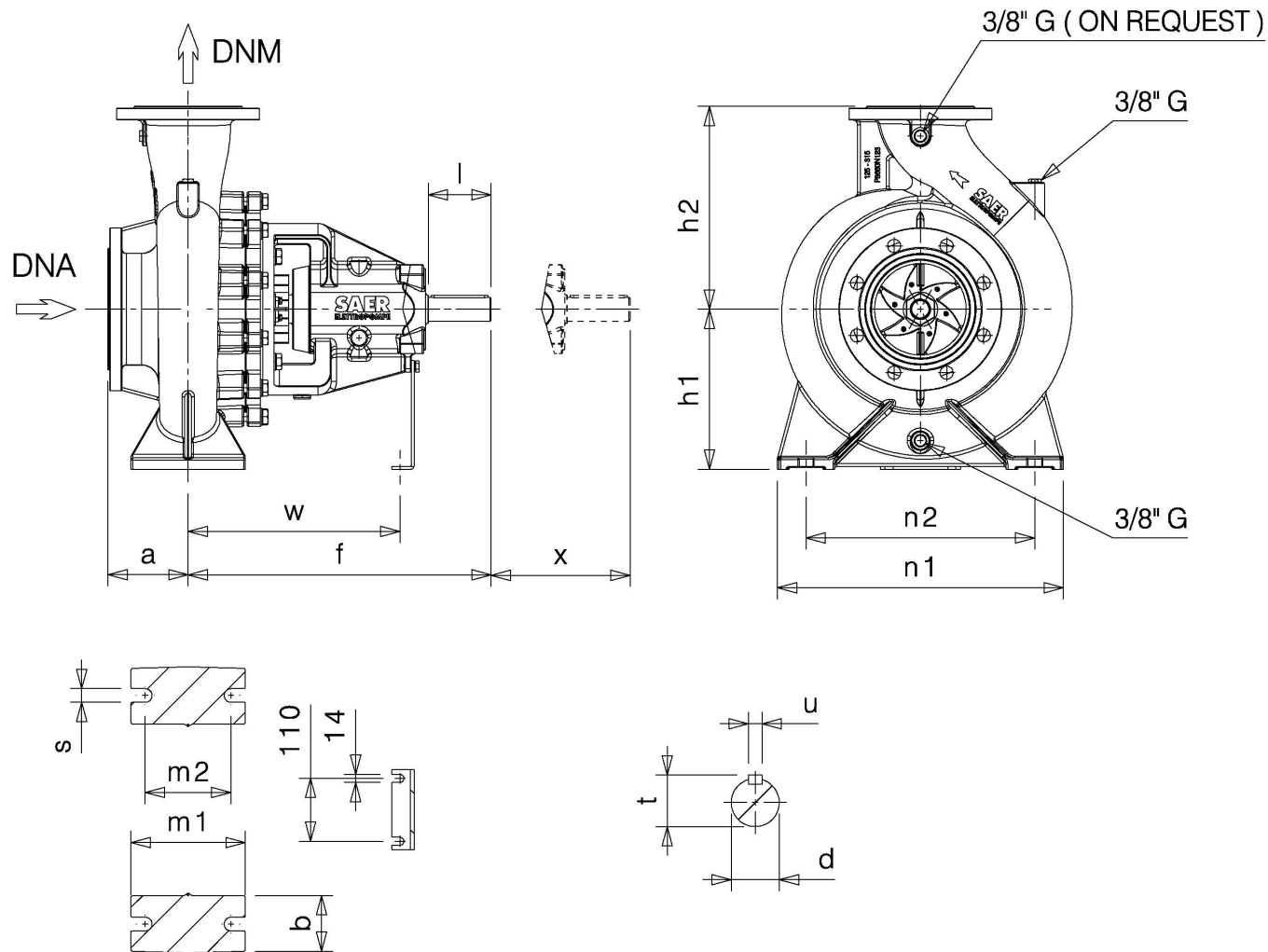
UNI EN ISO 9906:2012 - Grade 3B



Project	Project ID	Created by	Created on	Last update
			2023-11-21	

Revision no

Pump dimensions



Connections

Suction side	Discharge port
DN50	DN32
PN10/16	PN10/16

Dimensions in mm

a	80
b	50
d k6	24
f	360
h1	160
h2	180
l	50
m1	100
m2	70
n1	240
n2	190
s	14
t	26.9
u	8
w	260
x	100

Disegni dimensionali e immagini non vincolanti. Saer si riserva il diritto di effettuare cambiamenti senza alcun preavviso.
Dimensional drawing and picture are not binding. Saer reserves the right to make changes without prior notice.

Project

Project ID

Created by

Created on
2023-11-21

Last update