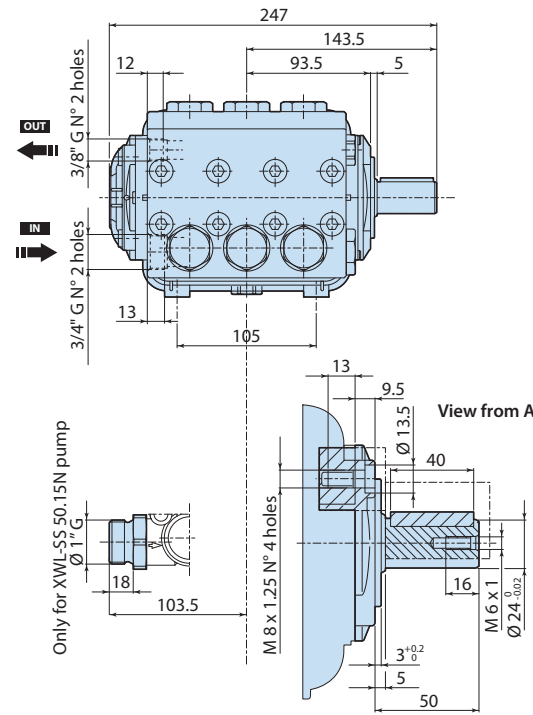
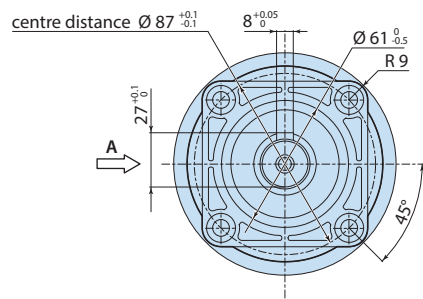
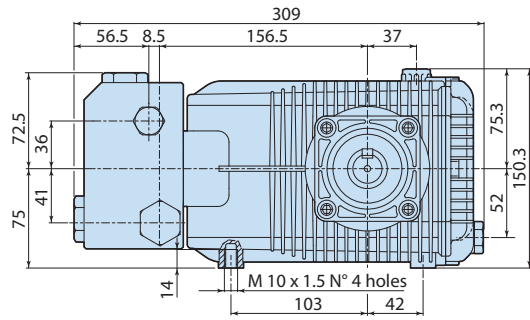


## Description

3-piston reciprocating pumps for use on cleaning units and industrial systems requiring a higher level of protection against corrosion and oxidation." Pump body, end plate and side covers in die-cast aluminium with protective electro-phoresis coating. Head machined from solid AISI 316L steel block for resistance to saline and acid environments. Pistons driven by crank-connecting rod mechanism. Connecting rods in die-cast special low-friction zinc-aluminium alloy. Double gasket sealing system to minimise any water leaks. Shaft in heat-treated pressed steel for excellent mechanical strength. Oversized friction bearings. One-piece ceramic pistons.



Details	Value
Category	Stainless Steel
Series	252
Pump type	XWL-SS 50.15 N
Versioning	N
ARCode	24105
Output (lt/min)	50
Output (gpm)	13.20
Pressure (bar)	150
Pressure (psi)	2200
Power (hp)	20
Power (kw)	15
RPM	1450
Weight (kg)	18



2528500