



Multi-stage centrifugal pumps, horizontal and self-priming, particularly suitable for constructing small and medium sized pressurisation systems; able to suck liquids mixed with air or gas.

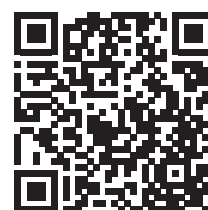
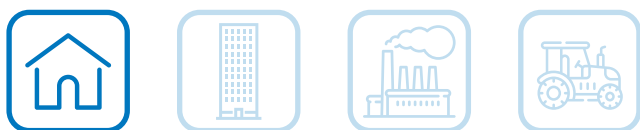
Construction features

Pump body	stainless steel AISI 304
Motor bracket	aluminum
Impeller	Noryl®
Mechanical seal	ceramic-graphite-NBR
Pump shaft	stainless steel AISI 416
Liquid temperature	0 - 50 °C
Operating pressure	max 8 bar

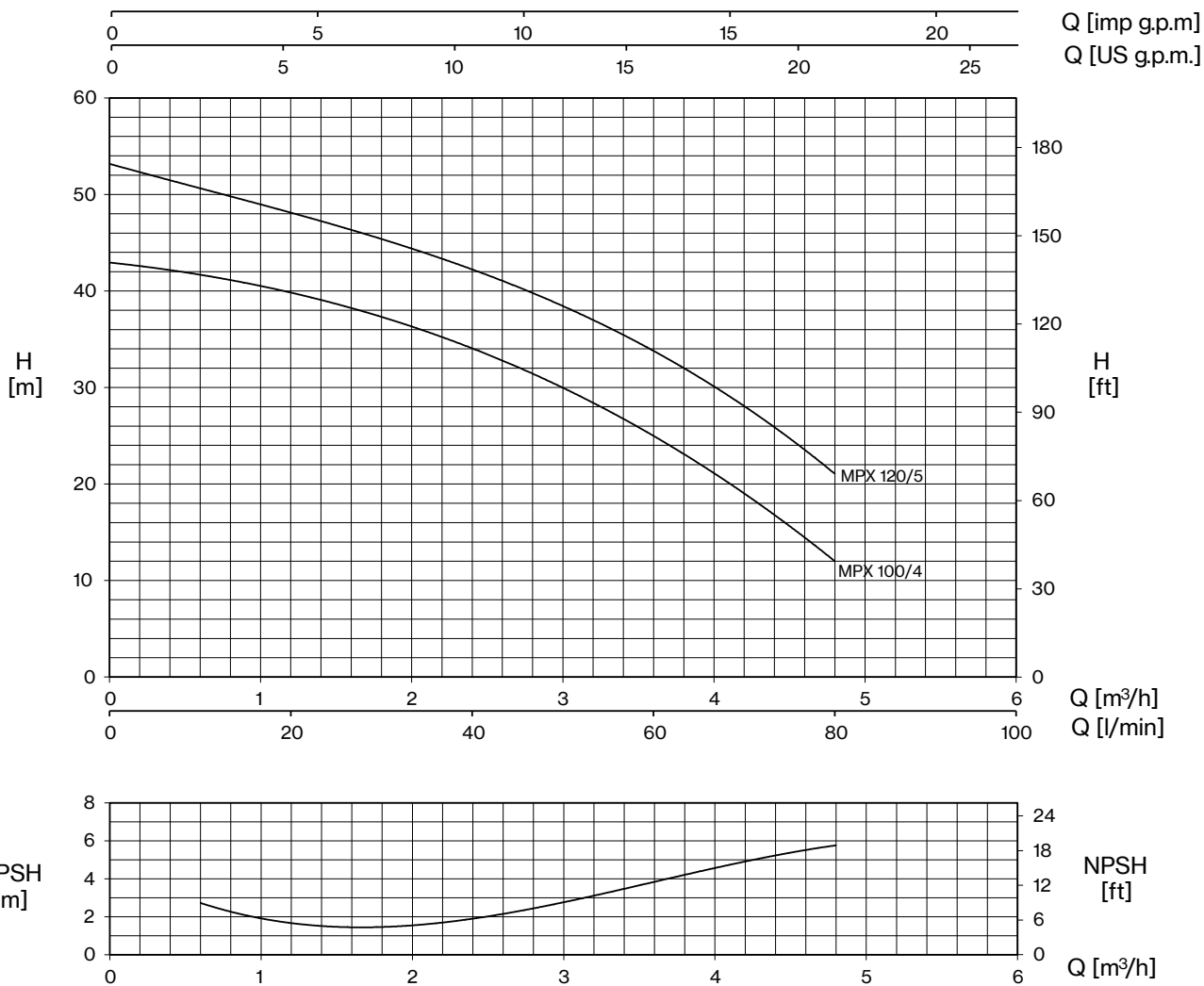
Motor

	3~ 230/400V-50Hz
2 poles induction motor	1~ 230V-50Hz (with thermal protection)
Insulation class	F
Protection degree	IPX4

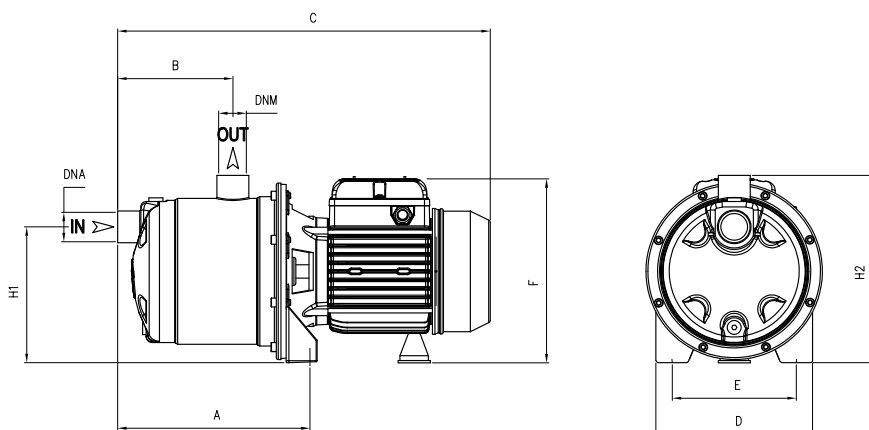
TYPE	LOTS			
	TRUCK		CONTAINER	
	PALLET (cm)	N° pumps	PALLET (cm)	N° pumps
MPX	85x110x170	60	85x110x190	80



MPX



TYPE		P2		P1 (kW)		AMPERE		Q (m³/h - l/min)					
1~	3~	HP	kW	1~	3~	1~ 1x230 V 50 Hz	3~ 3x400 V 50 Hz	0	0,6	1,2	2,4	3,6	4,8
								0	10	20	40	60	80
								H (m)					
MPX 100/4	MPXT 100/4	1	0,74	1,07	1,1	5,0	1,9	43,0	41,5	40,0	34,0	25,0	12,0
MPX 120/5	MPXT 120/5	1,2	0,88	1,27	1,33	6,1	2,3	53,0	51,0	48,0	42,0	34,0	21,0



TYPE	DIMENSIONS (mm)										M			Kg
	A	B	C	D	E	F	H1	H2	DNA	DNM	I	L	M	
MPX 100/4	208	128	410	175	140	215	153	210	1" G	1" G	430	210	235	11
MPX 120/5	208	128	410	175	140	215	153	210	1" G	1" G	430	210	235	11,5



MPX (Garden version)

Portable electropumps complete with handle, cable with plug and switch.
The performances depend on adopted pump type.

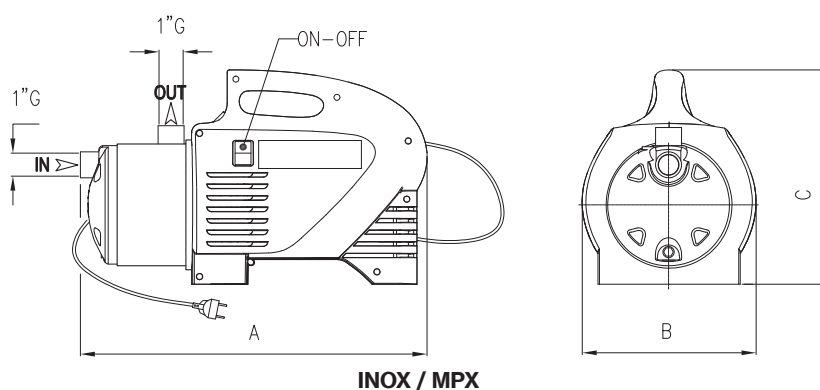
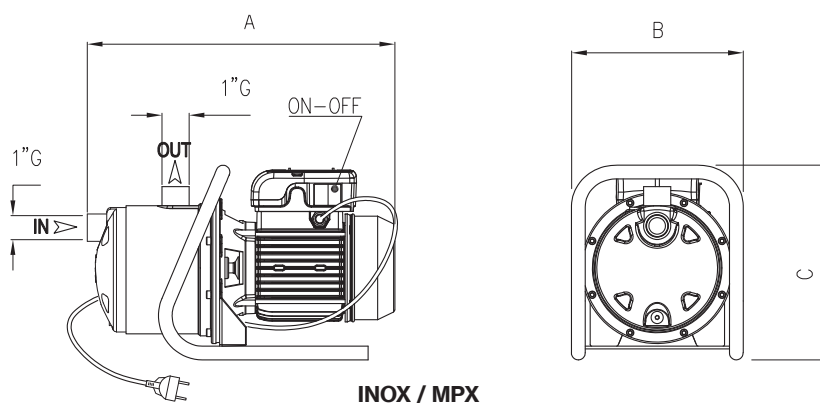


MPX



MPX BOX

TYPE	P2		P1 (kW)	Pipe		Performance	
	HP	kW		Suction ("G)	Delivery ("G)	Q (l/min)	H (m)
MPX 100/4	1	0,74	1,07	1	1	10,0-80,0	41,5-12,0
MPX 120/5	1,2	0,88	1,27	1	1	10,0-80,0	51,0-21,0



TYPE	DIMENSIONS (mm)		
	A	B	C
MPX 100/4	410	175	285
MPX 120/5	410	175	285
MPX 100/4 BOX	429	209	287