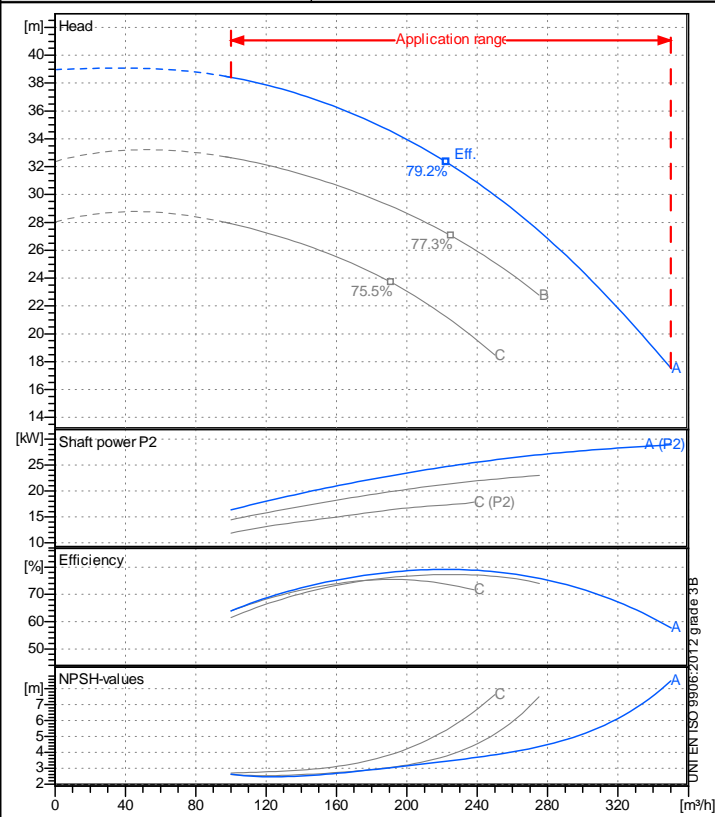
	<b>Technical data</b> <b>NCB 100-315A-4P</b>		Revision no	Page: 1
	Receiver		From	
Company name Respons. Department Person in charge Phone number Fax no E-mail address				



**Operating data specification**

Nominal flow	m³/h	0
Nominal head	m	0
Static head	m	0
NPSH - v value of plant	m	0
Inlet pressure	bar	0.09793
Fluid	Water, pure	
Operating temperature t A	°C	20
Density at t A	kg/dm³	0.9983
Kin. viscosity at t A	mm²/s	1.005

**Pump**

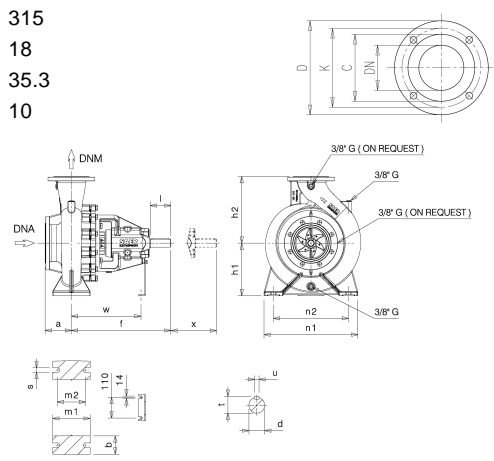
Pump name	NCB 100-315A-4P		
Size	125/100/315		
MEI (Reg. 547/2002 EU) >	0,4		
Speed 1/min	1450	No of stages	1
Impeller type			
Flow	Nominal	m³/h	
	Max-	m³/h	350
	Min-	m³/h	100
Head	Nominal	m	
	Max-	m	38.4
	Min-	m	17.5
Head H(Q=0)	m 39		
NPSH 3%	m		
Max. working pressure	bar 3.82		
Shaft power	kW		
Efficiency	%		
Max absorbed power	kW 28.956		

**Materials Pump**

Shaft	Stainless steel AISI 431 (1.4057)		
Impeller	Cast iron EN-GJL-250		
Pump body	Cast iron EN-GJL-250		
Seal disc	Cast iron EN-GJL-250		
Gasket	Aramidic fiber		
Mech. seal EN 12756			

**Dimensions in mm**

a	140	w	340	DNM	DNA		
b	80	x	140	C	158	C	188
d k6	32	D	220	D	250	D	250
f	470	DN	100	DN	125		
h1	250	K	180	K	210		
h2	315	n°	8 x 18 mm		8 x 18 mm		
l	80						
m1	160						
m2	120						
n1	400						
n2	315						
s	18						
t	35.3						
u	10						



**Motor**

Manufacturer / Type	IEC 60034-30		
Rated power	kW	Efficiency	4/4
Number of poles		Frame size	
Electric current	A	Speed	1/min
Electric voltage	V		Hz
Starting mode			
Degree of protection		Insulation class	

Remarks:

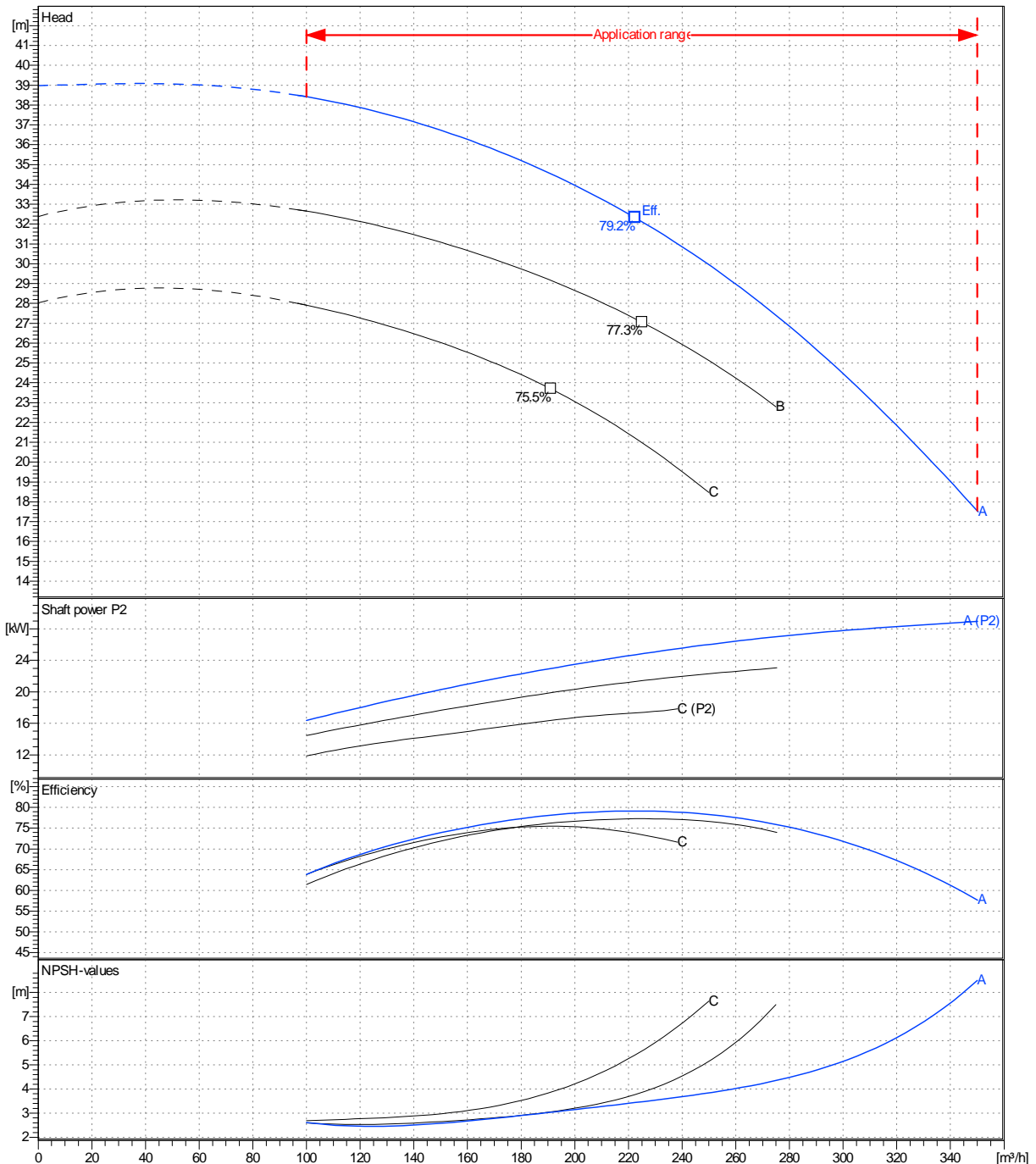
Project	Project ID	Created by	Created on 2024-04-26	Last update
---------	------------	------------	--------------------------	-------------

Receiver	From
Company name	
Respons. Department	
Person in charge	
Phone number	
Fax no	
E-mail address	

Operating area	Flow	Head	Impeller type
Operating data specification	0 m <sup>3</sup> /h	0 m	Impeller construction
Pump data	m <sup>3</sup> /h	m	Sense of rotation
			Outlet width
			Speed
			1/min 1450
	Min.	Max.	Frequency
	m <sup>3</sup> /h	m <sup>3</sup> /h	Hz
	100	350	
	H(Q=0)	η <sub>Max.</sub>	P2(Q=0)
	m	m	kW
	39	32.3	29
	Max.	η <sub>Max.</sub>	Max.
	kW	kW	kW
	29	24.7	

Performance data based to: Water, pure [100%] ; 20°C; 0.998kg/dm<sup>3</sup>; 1mm<sup>2</sup>/s

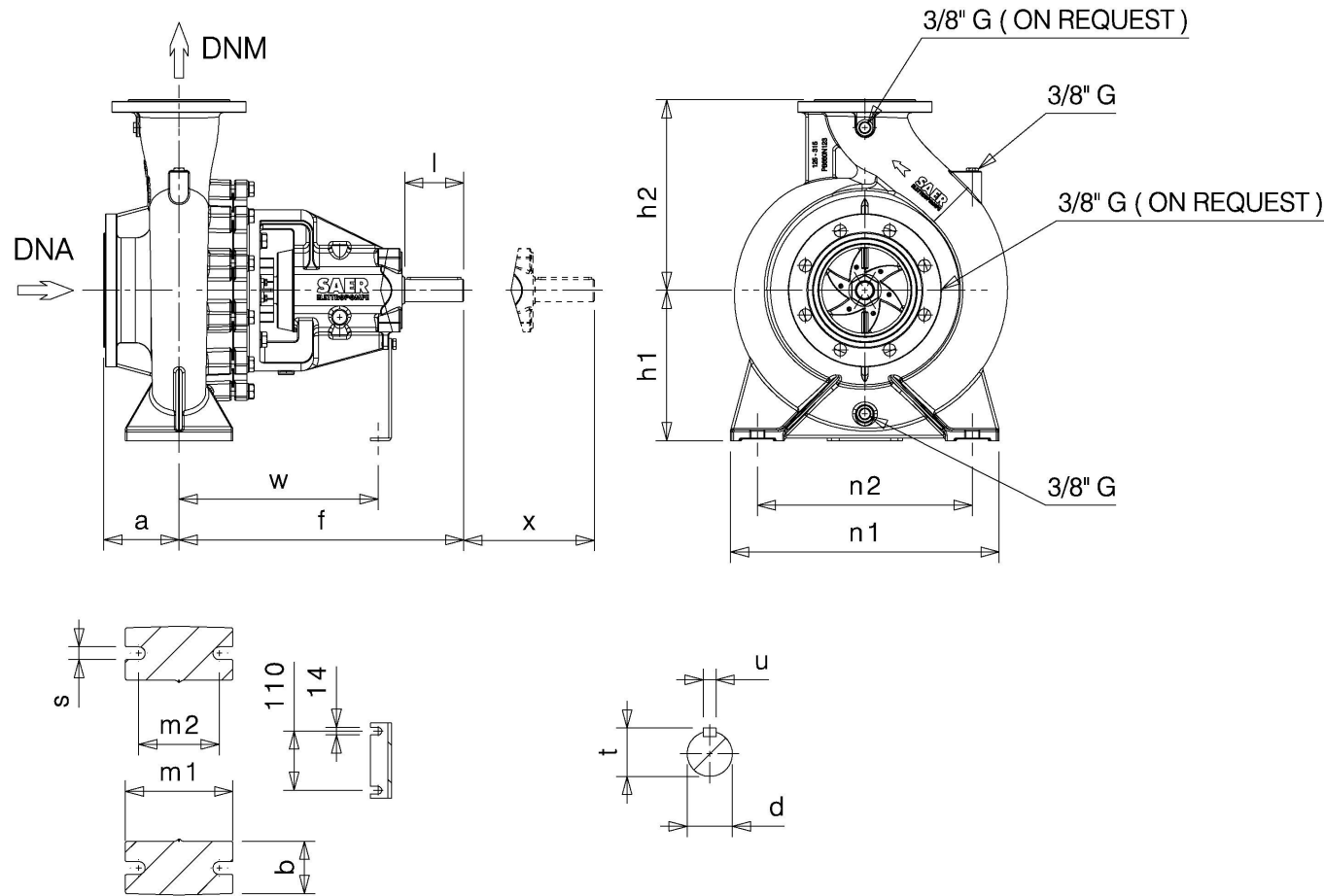
UNI EN ISO 9906:2012 - Grade 3B



Project	Project ID	Created by	Created on	Last update
			2024-04-26	

Revision no

Pump dimensions



Connections

Suction side	Discharge port
DN125	DN100
PN10/16	PN10/16

Dimensions in mm

a	140
b	80
d k6	32
f	470
h1	250
h2	315
l	80
m1	160
m2	120
n1	400
n2	315
s	18
t	35.3
u	10
w	340
x	140

Disegni dimensionali e immagini non vincolanti. Saer si riserva il diritto di effettuare cambiamenti senza alcun preavviso.  
Dimensional drawing and picture are not binding. Saer reserves the right to make changes without prior notice.

Project

Project ID

Created by

Created on  
2024-04-26

Last update