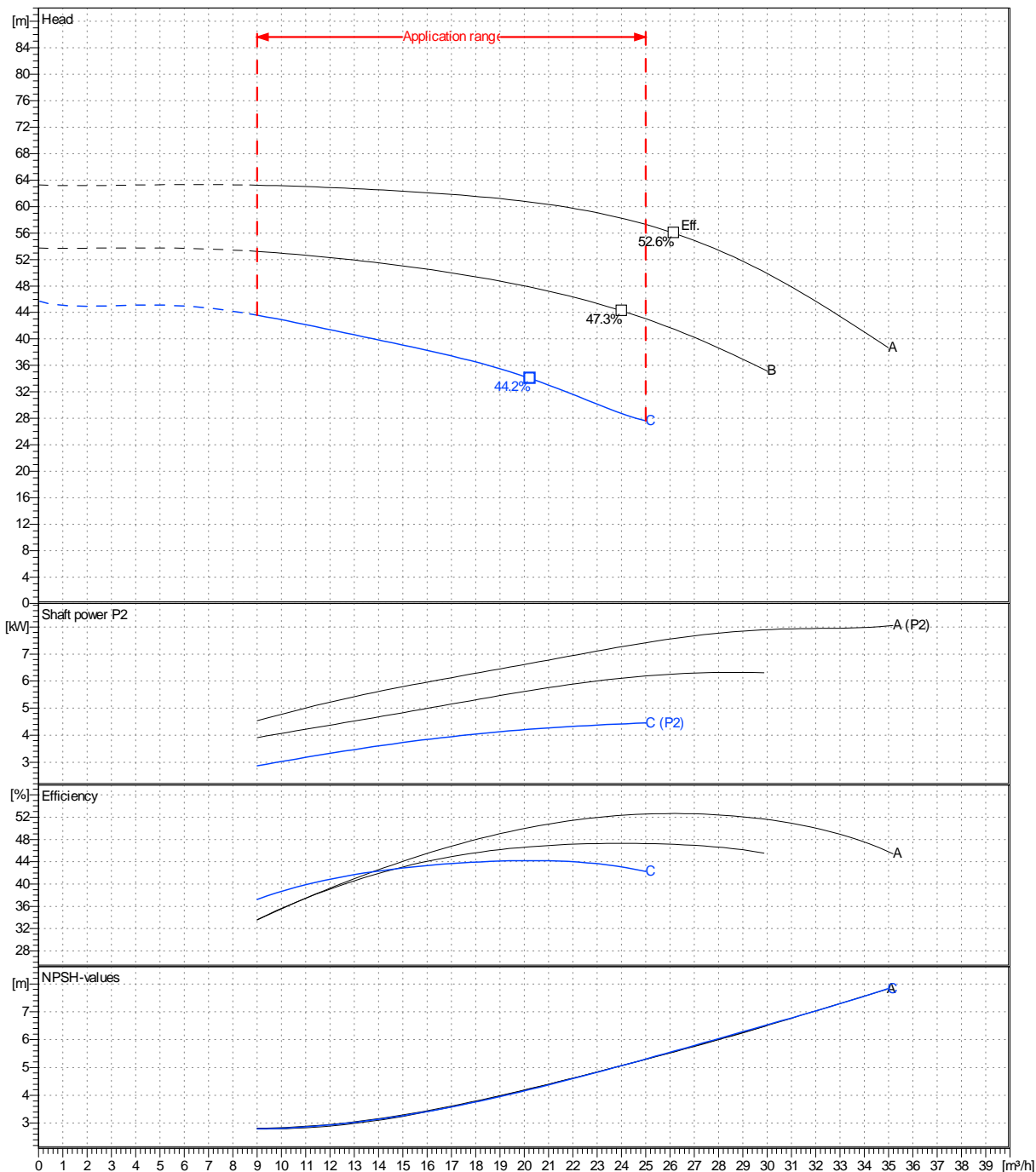


Receiver	From
Company name	
Respons. Department	
Person in charge	
Phone number	
Fax no	
E-mail address	

Operating area	Flow	Head	Impeller type
Operating data specification	0 m ³ /h	0 m	Impeller construction
Pump data	m ³ /h	m	Sense of rotation
			Clockwise from the drive end
			Outlet width
			DN32
	Flow	Head	Shaft power P2
	Min. Max. η Max.	H(Q=0) η Max.	P2(Q=0) Max. η Max.
	m ³ /h m ³ /h m ³ /h	m m	kW kW kW
	9 25 20.3	45.7 34	4.45 4.22
			Speed
			1/min 2900
			Frequency
			Hz 50 Hz

Performance data based to: Water, pure [100%]; 20°C; 0.998kg/dm³; 1mm²/s

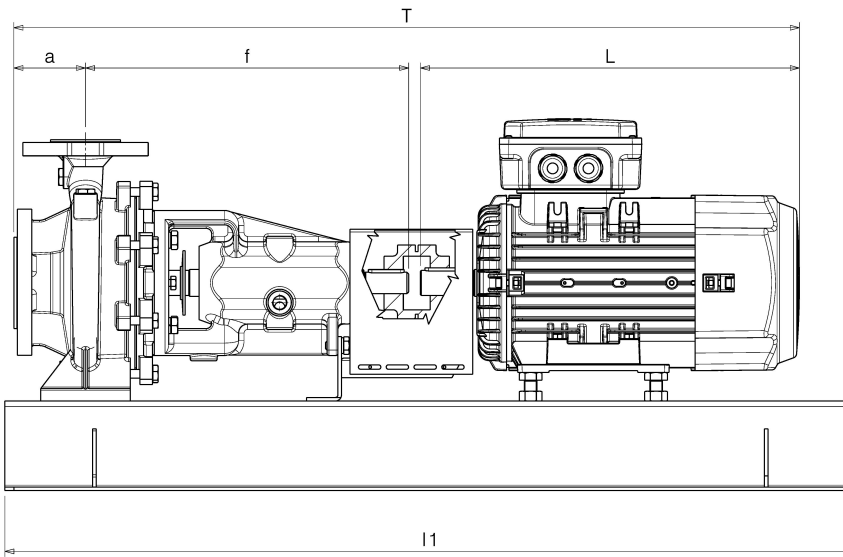
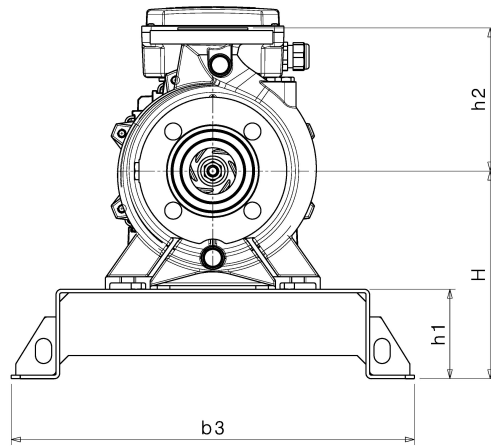
UNI EN ISO 9906:2012 - Grade 3B



Project	Project ID	Created by	Created on	Last update
			2024-05-27	

Revision no

Pump dimensions



Connections

Suction side	Discharge port
DN50	DN32
PN10/16	PN10/16

Dimensions in mm

a	80
b3	450
f	361
H	260
h1	100
h2	180
L	387
l1	950
T	843

Disegni dimensionali e immagini non vincolanti. Saer si riserva il diritto di effettuare cambiamenti senza alcun preavviso. Dimensional drawing and picture are not binding. Saer reserves the right to make changes without prior notice.

Project

Project ID

Created by

Created on
2024-05-27

Last update