





WATER • TECHNOLOGY

# PERFORMANCE CURVES

2024-09-02

Page 2 / 3

DAB PUMPS S.p.A.  
Via Marco Polo, 14 - 35035 Mestrino (PD), Italy  
Tel. +39 049 5125000 - Fax +39 049 5125950  
www.dabpumps.com

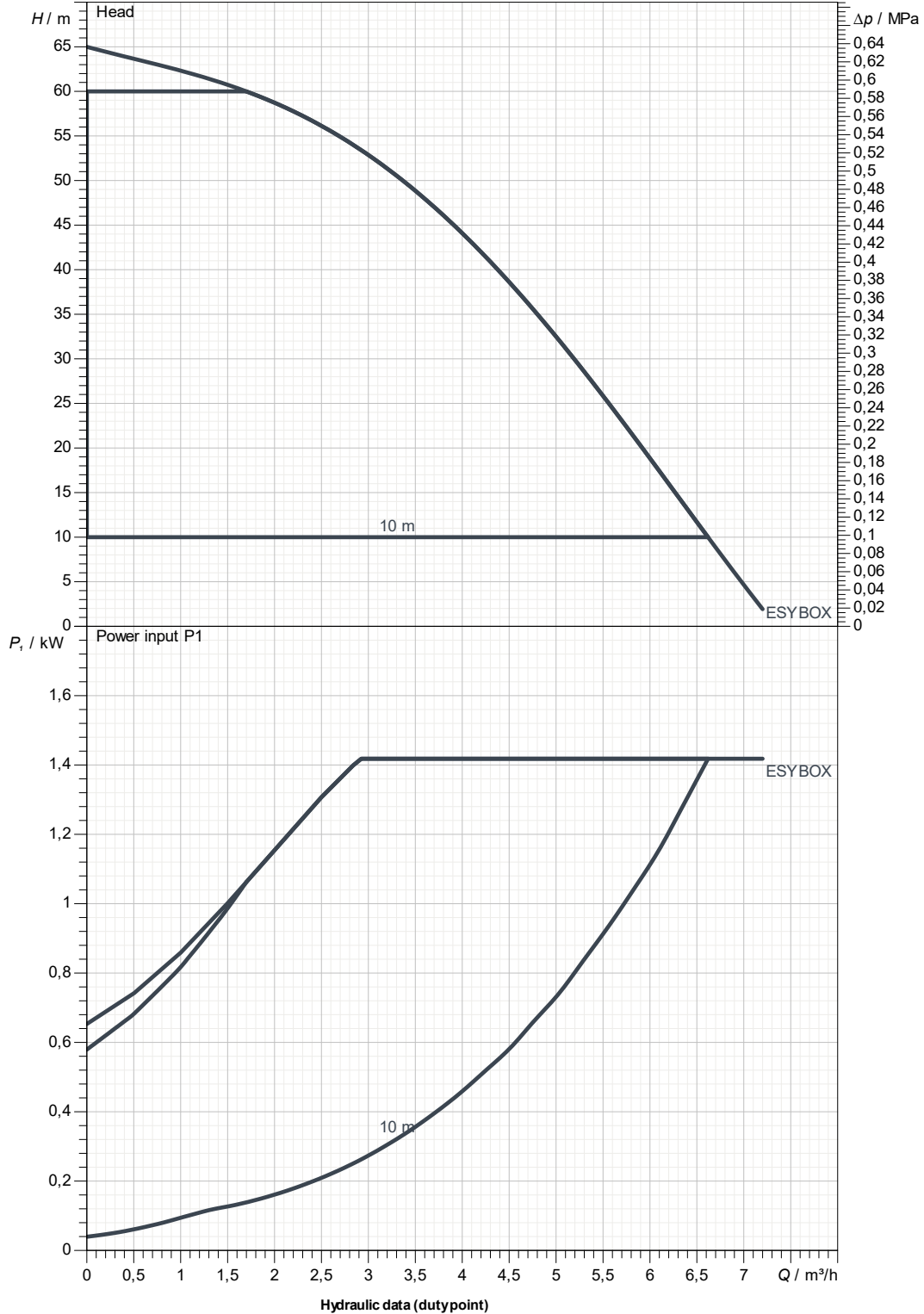
Receiver

From

Company  
Reference  
Address  
Phone  
Fax  
E-mail

## ESYBOX

Curve tolerance according to ISO 9906



Suction side :  
1" G  
0,8 MPa

Discharge side :  
1" G  
0,8 MPa

Flow :

Head :

Rated speed :  
3.000 1/min

MAIN\_PROJECT\_TITLE

BUSINESS\_PROCESS\_ID

OWNER\_

ISSUE\_DATE

2024-09-02



# DIMENSIONAL DRAWING

2024-09-02

Page 3 / 3

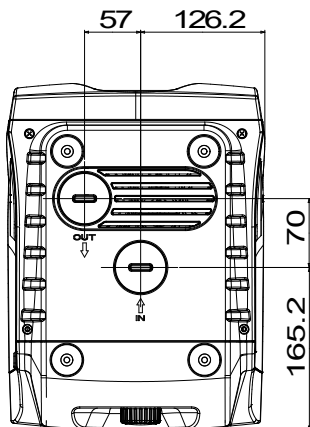
DAB PUMPS S.p.A.  
Via Marco Polo, 14 - 35035 Mestrino (PD), Italy  
Tel. +39 049 5125000 - Fax +39 049 5125950  
www.dabpumps.com

Receiver

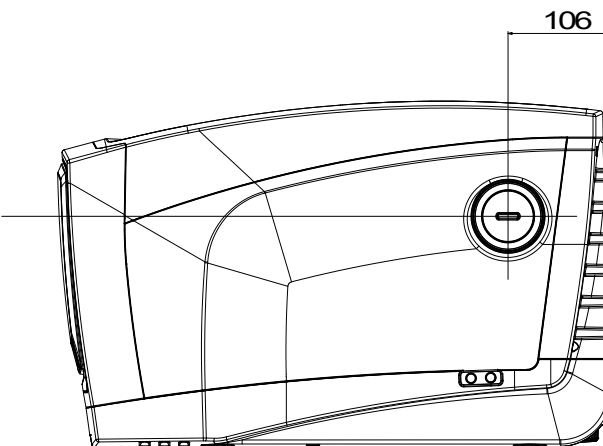
From

Company  
Reference  
Address  
Phone  
Fax  
E-mail

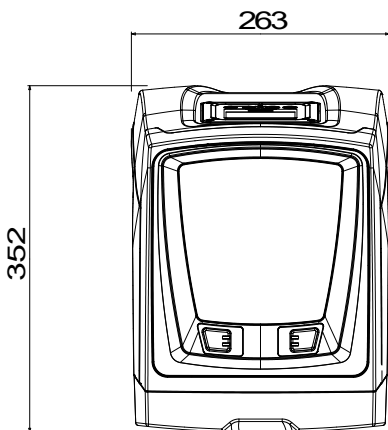
## ESYBOX



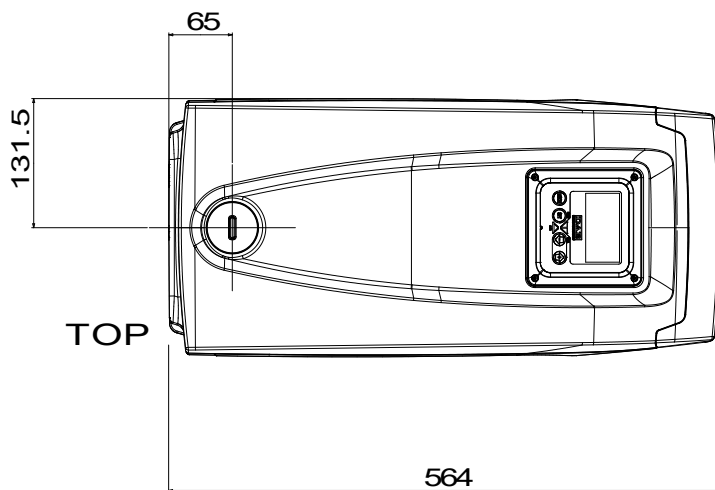
FRONT



RIGHT



BACK



TOP

Dimensions in mm						Pump connection
1						Suction
2						1" G
3						0,8 MPa
4						Discharge
5						1" G
6						0,8 MPa
7						
8						
9						
10						
11						
12						
MAIN_PROJECT_TITLE			BUSINESS_PROCESS_ID		OWNER_	ISSUE_DATE 2024-09-02