

Receiver

From

Company
Reference
Address
Phone
Fax
E-mail

Item n° : Customer pos. no.:

60211578

Model :

EUROSWM 150 M IE2

Pump data

Pressure rating : 0,25 MPa
Min. fluid temperature : 0 °C
Max. fluid temperature : 60 °C
Max. Ambient temperature : 50 °C

Requested data

Flow :
Head :
Fluid : Water
Fluid Temperature : 20 °C
Density : 998,3 kg/m³
Kinematic viscosity : 1,005 mm²/s
Vapor pressure : 0,00 MPa

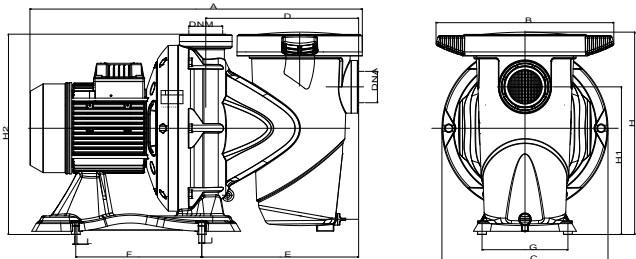
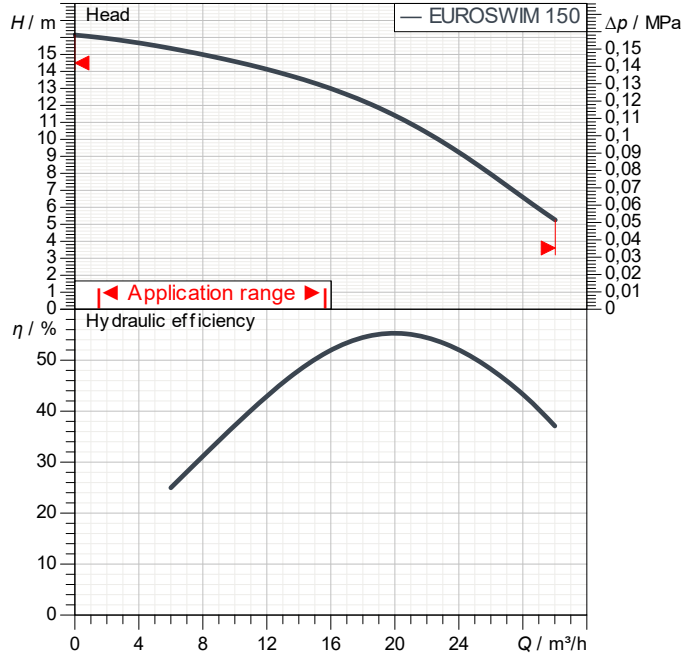
Hydraulic data (duty point)

Flow :
Head :

Materials

Pump body Reinforced technopolymer
Impeller Reinforced technopolymer
Diffuser Reinforced technopolymer
Filter Technopolymer
Mechanical seal Carbon/Alumina/NBR/AISI316
Filter cover Polycarbonate
O-ring NBR

Curve tolerance according to ISO 9906



Weight : 17,9 kg

Motor data

Motor brand : DAB
Nominal power P2 : 1,1 kW
Rated speed : 2.800 1/min
Rated voltage : 1~ 230 V 50 Hz
Nominal current : 6,4 A
Degree of protection : IP X5

Dimensions in mm

A	581	L	6,5
B	311		
C	290		
D	267		
DNA	G2"		
DNM	G2"		
E	274		
F	220		
G	150		
H	353		
H1	258		
H2	350		
I	11		

Pump connection

Suction side : 2" G / 0,25 MPa
Discharge side : 2" G / 0,25 MPa



PERFORMANCE CURVES

2024-09-12

Page 2 / 3

DAB PUMPS S.p.A.
Via Marco Polo, 14 - 35035 Mestrino (PD), Italy
Tel. +39 049 5125000 - Fax +39 049 5125950
www.dabpumps.com

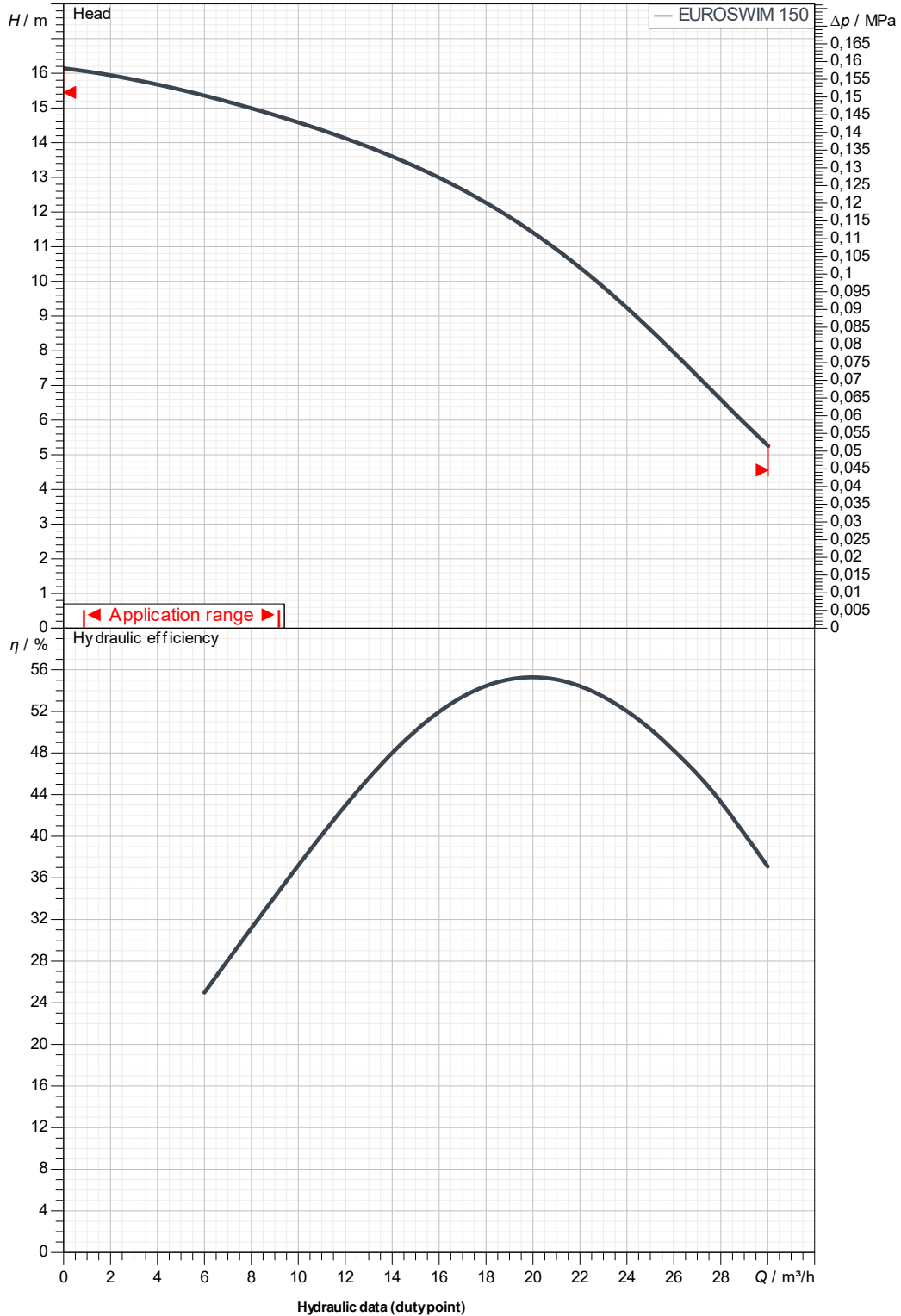
Receiver

From

Company
Reference
Address
Phone
Fax
E-mail

EUROSWIM 150 M IE2

Curve tolerance according to ISO 9906



Suction side :
2" G
0,25 MPa

Discharge side :
2" G
0,25 MPa

Flow :

Head :

Rated speed :
2.800 1/min

Project

Project ID

Created by

Created on

2024-09-12



DIMENSIONAL DRAWING

2024-09-12

Page 3 / 3

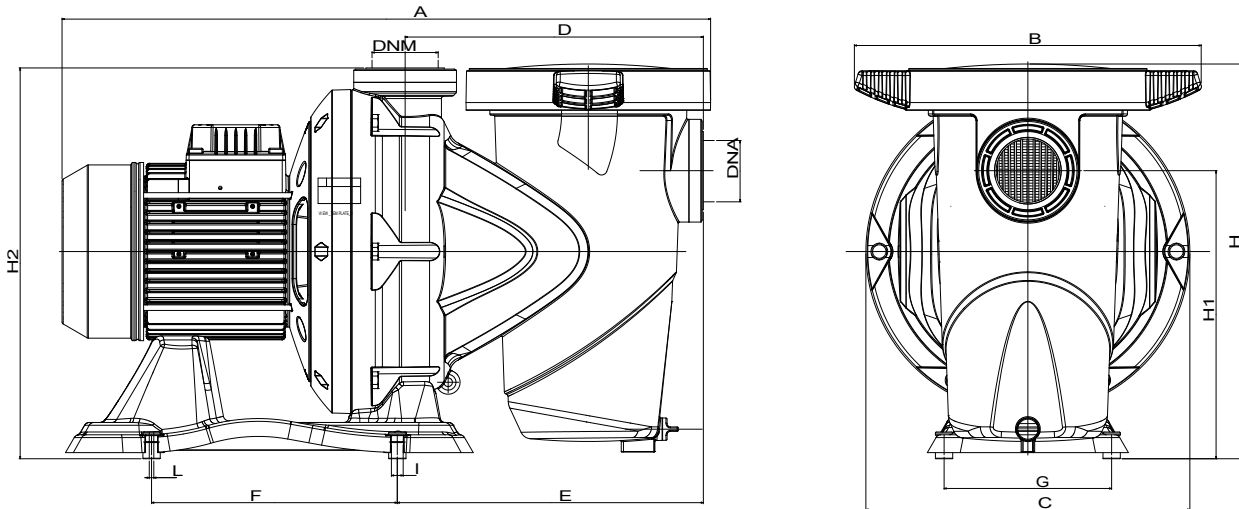
DAB PUMPS S.p.A.
Via Marco Polo, 14 - 35035 Mestrino (PD), Italy
Tel. +39 049 5125000 - Fax +39 049 5125950
www.dabpumps.com

Receiver

From

Company
Reference
Address
Phone
Fax
E-mail

EUROSWIM 150 M IE2



Dimensions in mm					Pump connection	
1	A	581	H2	350	Suction 2" G 0,25 MPa Discharge 2" G 0,25 MPa	
2	B	311	I	11		
3	C	290	L	6,5		
4	D	267				
5	DNA	G2"				
6	DNM	G2"				
7	E	274				
8	F	220				
9	G	150				
10	H	353				
11	H1	258				

Project	Project ID	Created by	Created on 2024-09-12
---------	------------	------------	---------------------------------