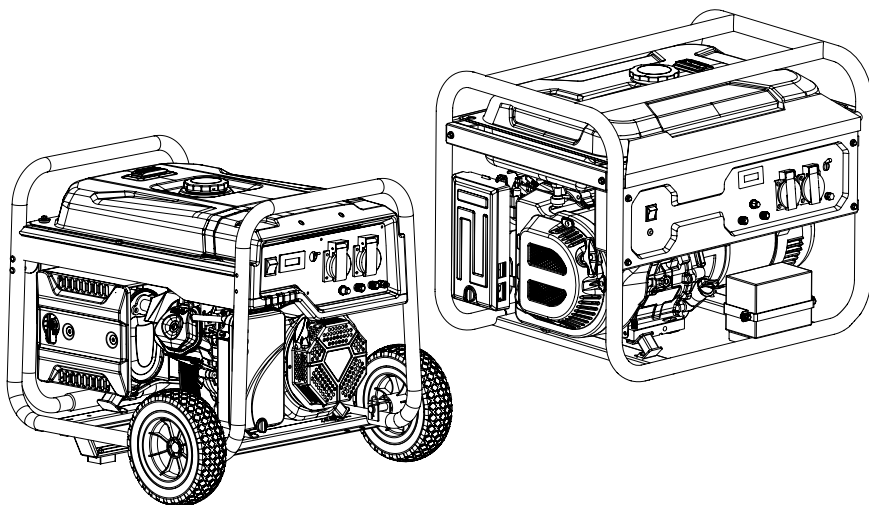


FF GROUP[®]



**GPG 3000 PLUS GPG 6000 PLUS
GPG 6000E PLUS GPG 3000 HD
GPG 6000E HD GPG 6800E HD
GPG 8500E HD GPG 7500TE HD
GPG 10600TE HD**

EN

ORIGINAL INSTRUCTIONS

FR

NOTICE ORIGINALE

IT

ISTRUZIONI ORIGINALI

EL

ΠΡΩΤΟΤΥΠΟ ΟΔΗΓΙΩΝ ΧΡΗΣΗΣ

SR

ORIGINALNO UPUTSTVO ZA RAD

HR

ORIGINALNE UPUTE ZA RAD

RO

INSTRUCȚIUNI DE FOLOSIRE ORIGINALE

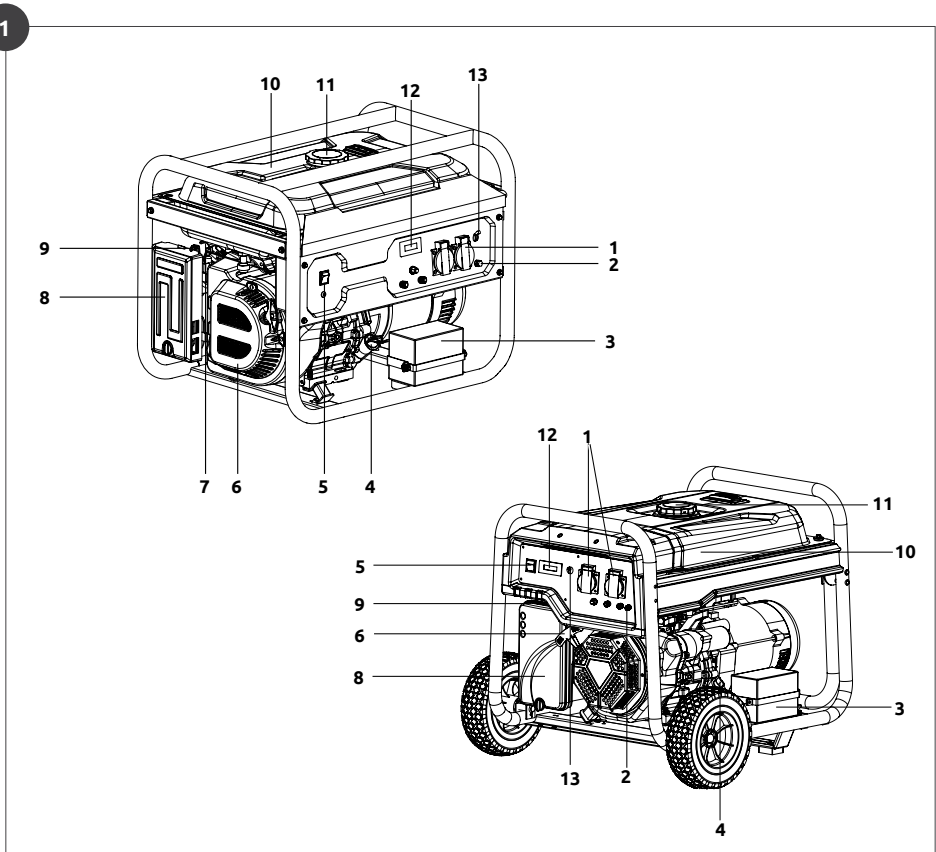
HU

EREDETI UTASÍTÁSOK

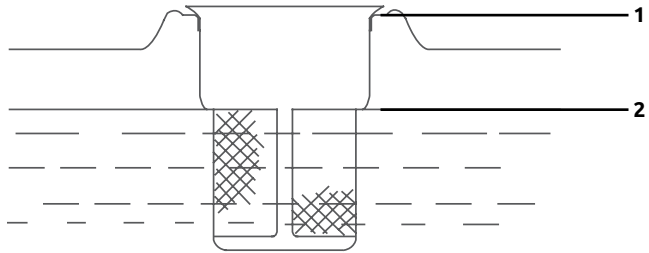
LT

ORIGINALIOS INSTRUKCIJOS

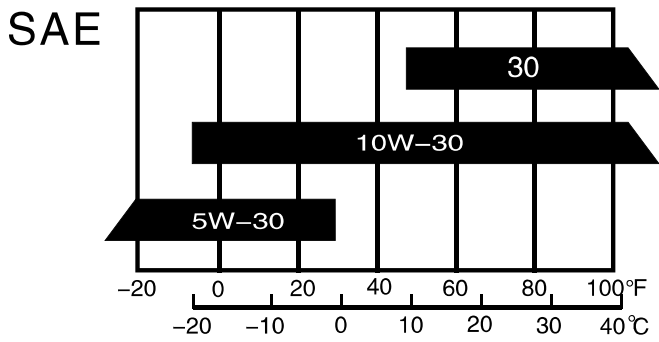
EXPLANATION OF SYMBOLS / EXPLICATION DES SYMBOLES / SPIEGAZIONE DEI SIMBOLI / ΕΠΕΞΗΓΗΣΗ ΣΥΜΒΟΛΩΝ / OBJAŠNJENJE SIMBOLA / OBJAŠNJENJE SIMBOLA / EXPLICAREA SIMBOLURILOR / SZIMBÓLUMOK JELENTÉSE / SIMBOLIŲ PAAIŠKINIMAS		6
EN	GASOLINE GENERATOR	10
FR	GÉNÉRATEUR À ESSENCE	15
IT	GENERATORE DI CORRENTE A BENZINA	21
EL	ΓΕΝΗΤΡΙΑ ΒΕΝΖΙΝΗΣ	26
SR	BENZINSKI GENERATOR ZA STRUJU	33
HR	GENERATOR ZA STRUJU SA BENZINSKIM	38
RO	GENERATOR BENZINA	43
HU	BENZINES GENERÁTOR	49
LT	BENZININIS GENERATORIUS	54
TECHNICAL DATA / DONNÉES TECHNIQUES / DATI TECNICI / ΤΕΧΝΙΚΑ ΧΑΡΑΚΤΗΡΙΣΤΙΚΑ / TEHNIČKI PODACI / TEHNIČKI PODACI / DATE TEHNICE / MŰSZAKI ADATOK / TECHNINIAI DUOMENYS		60
CE		78



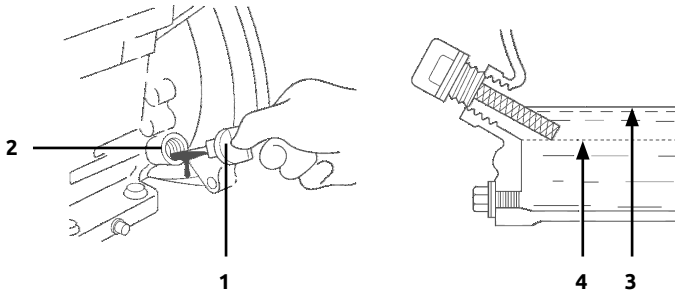
2



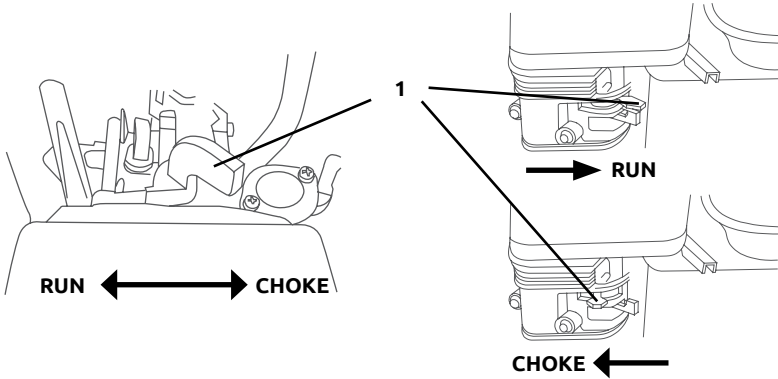
3



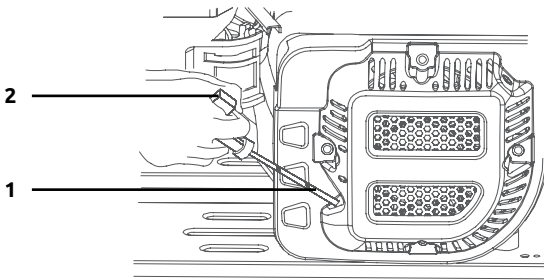
4



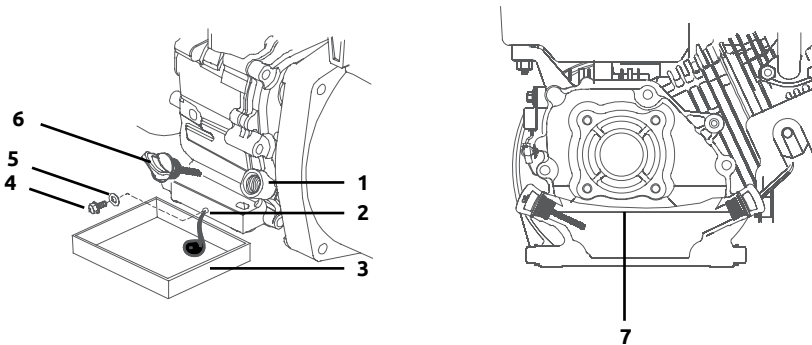
5



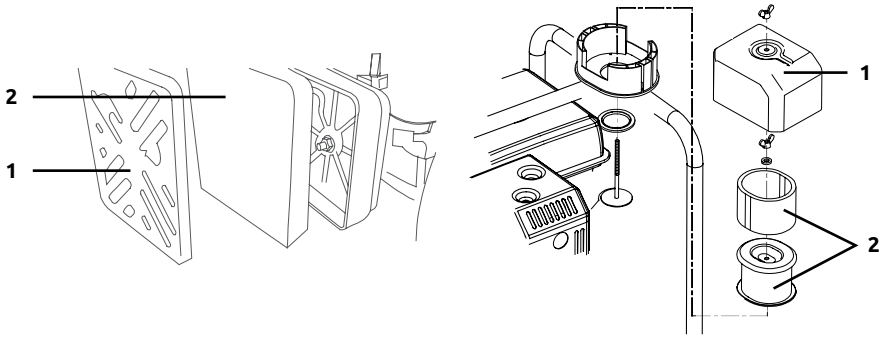
6



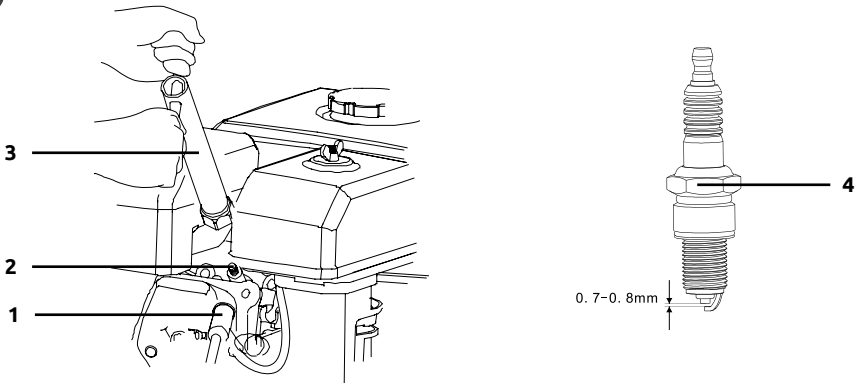
7



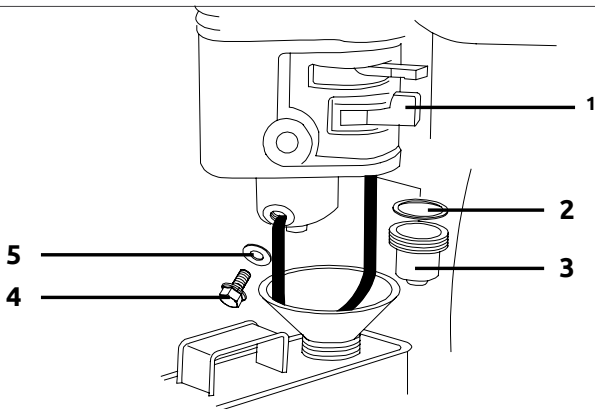
8













9








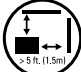





10



	ENGLISH	FRANÇAIS	ITALIANO	ΕΛΛΗΝΙΚΑ
	EXPLANATION OF SYMBOLS	EXPLICATION DES SYMBOLES	SPIEGAZIONE DEI SIMBOLI	ΕΠΕΞΗΓΗΣΗ ΣΥΜΒΟΛΩΝ
	Always read and understand the instructions before operating	Toujours lire et comprendre les instructions avant d'opérer	Leggere e comprendere sempre le istruzioni prima di operare	Διαβάστε και κατανοήστε τις οδηγίες χρήσης πάντα πριν από τη λειτουργία
	Always wear appropriate protective breathing mask when operating	Portez toujours un masque respiratoire protecteur approprié lors de l'opération	Indossare sempre un'adeguata maschera protettiva durante il funzionamento	Να χρησιμοποιείτε πάντα κατάλληλη μάσκα αναπνοής κατά τη λειτουργία
	Always wear appropriate ear protection when operating	Portez toujours une protection de l'oreille appropriée lors de l'exploitation	Indossare sempre un'adeguata protezione dell'orecchio quando si opera	Να χρησιμοποιείτε πάντα κατάλληλη προστασία αυτιών κατά τη λειτουργία
	Always wear appropriate hand protection when operating	Portez toujours une protection appropriée pour les mains lors de l'exploitation	Indossare sempre la protezione della mano appropriata quando si opera	Να χρησιμοποιείτε πάντα κατάλληλη προστασία χεριών κατά τη λειτουργία
	Important, danger, warning, or caution	Important, danger ou avertissement	Importante, pericolo o avviso	Σημαντικό, κίνδυνος ή προειδοποίηση
	Risk of electric shock	Risque de choc électrique	Rischio di scosse elettriche	Κίνδυνος ηλεκτροπληξίας
	Inspect the power cord regularly for damage. Remove the plug from the mains immediately if the cable is damaged or cut	Vérifiez régulièrement que le cordon d'alimentation afin de vous assurer qu'il ne soit pas endommagé. Débranchez immédiatement la prise si le câble est endommagé ou coupé	Ispezionare regolarmente il cavo di alimentazione per eventuali danni. Rimuovere immediatamente la spina dall'alimentazione se il cavo è danneggiato o tagliato	Επιθεωρείτε συχνά το καλώδιο για φθορές. Αφαιρέστε το καλώδιο από την παροχή ρεύματος σε περίπτωση που έχει υποστεί σοβαρές φθορές ή έχει κοπεί
	Remove unit from electric supply before cleaning, adjusting or maintaining	Retirer l'unité de l'alimentation électrique avant de nettoyer, ajuster ou entretenir	Rimuovere l'unità dall'alimentazione elettrificata prima di pulire, regolare o mantenere	Αφαιρέστε τη μονάδα από την παροχή ηλεκτρικού ρεύματος πριν από τον καθαρισμό, τη ρύθμιση ή τη συντήρηση
	Risk of fire	Risque de feu	Rischio di incendio	Κίνδυνος φωτιάς
	Risk of burn injury or fire, due to hot surface	Risque de brûlure	Rischio di ustioni	Κίνδυνος εγκαύματος ή φωτιάς, λόγω καυτής επιφάνειας

SRPSKI	HRVATSKI	ROMÂNĂ	MAGYAR	LIETUVIŲ K.
OBJAŠNJENJE SIMBOLA	OBJAŠNJENJE SIMBOLA	EXPLICAREA SIMBOLURILOR	SZIMBÓLUMOK JELENTÉSE	SIMBOLIŲ PAAIŠKINIŲMAS
Uvek pročitajte i razumejte uputstva pre rada	Uvijek pročitajte i shvatite upute prije operacije	Citiți și înțelegeți întotdeauna instrucțiunile înainte de a utiliza	Használat előtt mindig olvassa el és értse meg az utasításokat	Prieš pradėdami dirbti, visada perskaitykite ir supraskite instrukcijas
Uvek nosite odgovarajuću zaštitnu masku za disanje prilikom rada	Prilikom rada uvijek nosite odgovarajuću zaštitnu masku za disanje	Purtați întotdeauna o mască de respirație de protecție adecvată în timpul	Munka közben mindig viseljen megfelelő légzőmaszkot	Dirbdami visada dėvėkite tinkamą apsauginę kvėpavimo kaukę
Uvek nosite odgovarajuću zaštitu za uši kada radila	Uvijek nosite odgovarajuću zaštitu za uši prilikom rada	Purtați întotdeauna o protecție adecvată a urechii în timpul funcționării	Működés közben mindig viseljen megfelelő fülvédőt	Dirbdami visada dėvėkite tinkamas ausų apsaugos priemonės
Uvek nosite odgovarajuću zaštitu ruku kada radila	Prilikom rada uvijek nosite odgovarajuću zaštitu ruku	Purtați întotdeauna o protecție adecvată a mâinii în timpul funcționării	Munka közben mindig viseljen megfelelő kézvédőt	Dirbdami visada dėvėkite tinkamą rankų apsaugą
Važno, opasnost ili upozorenje	Važno, opasnost ili upozorenje	Important, pericol sau avertisment	Fontos, veszély, figyelmeztetés vagy óvatosság	Svarbu, pavojus, įspėjimas ar atsargumas
Rizik od električnog šoka	Rizik od strujnog udara	Risc de electrocutare	Áramütés veszélye	Elektros smūgio rizika
Redovno pregledavajte kabl za napajanje na oštećenje. Odmah izvadite utikač iz utičnice ako je kabl oštećen ili prerezan	Redovito provjeravajte je li kabl za napajanje oštećen. Odmah izvucite utikač iz napajanja ako je kabl oštećen ili prerezan	Inspectați în mod regulat cablul de alimentare să nu prezinte deteriorări. Scoateți imediat ștecherul din priză de rețea, în cazul în care cablul este deteriorat sau tăiat	Rendszeresen ellenőrizze a tápkábelt, hogy nem sérült-e. Azonnal húzza ki a dugót a konnektorból, ha a kábel megsérül vagy elvágódott	Reguliariai tikrinkite maitinimo laidą, ar nėra pažeidimų. Nedelsdami nuimkite kištuką nuo elektros tinklo, jei kabelis pažeistas arba supjaustytas
Uklanjanje jedinice iz električnog snabdevanja pre čišćenja, prilagođavanja ili održavanja	Uklonite jedinicu iz električnog napajanja prije čišćenja, podešavanja ili održavanja	Scoateți unitatea de alimentare electrică înainte de curățare, reglare sau întreținere	Tisztítás, beállítás vagy karbantartás előtt távolítsa el az egységet az elektromos hálózatról	Prieš valydami, reguliuodami ar prižiūrėdami, išimkite įrenginį iš elektros tiekimo
Rizik od požara	Opasnost od požara	Risc de incendiu	Tűzveszély	Gaisro pavojus
Rizik od opekotina	Rizik od opeklina	Risc de arsură	Égési sérülés vagy tűz veszélye a forró felület miatt	Nudegimo sužalojimo ar gaisro rizika dėl karšto paviršiaus

	ENGLISH	FRANÇAIS	ITALIANO	ΕΛΛΗΝΙΚΑ
	EXPLANATION OF SYMBOLS	EXPLICATION DES SYMBOLES	SPIEGAZIONE DEI SIMBOLI	ΕΠΕΞΗΓΗΣΗ ΣΥΜΒΟΛΩΝ
	Risk of damage, due to electromagnetic field interference	Risque de dommages dus aux perturbations du champ électromagnétique	Rischio di danni, a causa di interferenze di campi elettromagnetici	Κίνδυνος ζημιάς, λόγω ηλεκτρομαγνητικής παρεμβολών
	Risk of injury, due to tip over	Risque de blessure en cas de basculement	Pericolo di lesioni a causa di ribaltamento	Κίνδυνος τραυματισμού, λόγω ανατροπής
	Risk of poisoning, due to toxic gases	Risque d'empoisonnement, dû aux gaz toxiques	Rischio di avvelenamento, a causa di gas tossici	Κίνδυνος δηλητηρίασης, λόγω τοξικών αερίων
	Risk of damage. Keep people, animals or nearby property at least 15m away	Risque de dommages. Gardez les personnes, les animaux ou les propriétés à proximité à au moins 15 mètres	Rischio di danni. Tenere persone, animali o proprietà vicine ad almeno 15 m di distanza	Κίνδυνος ζημιάς. Κρατήστε ανθρώπους, ζώα ή αντικείμενα αξίας τουλάχιστον 15m μακριά
	Risk of fire	Risque de feu	Rischio di incendio	Κίνδυνος φωτιάς
	Do not keep or operate in wet environment	Ne pas conserver ou opérer dans un environnement humide	Non tenere o operare in un ambiente umido	Μη διατηρείτε ή λειτουργείτε σε υγρό περιβάλλον
	Do not place or operate on inclined surfaces	Ne placez pas ou ne fonctionnez pas sur des surfaces inclinées	Non posizionare o operare su superfici inclinate	Μην τοποθετείτε ή λειτουργείτε σε κεκλιμένες επιφάνειες
	Operate at least 1,5m away from nearby people, animals, objects or buildings	Opérez à au moins 1,5 m des personnes, animaux, objets ou bâtiments à proximité	Operare ad almeno 1,5 m di distanza da persone, animali, oggetti o edifici vicini	Λειτουργήστε τουλάχιστον 1,5m μακριά από ανθρώπους, ζώα, αντικείμενα ή κτίρια
	Must be recycled and should always be disposed in accordance with applicable directives	Doit être recyclé et doit toujours être éliminé conformément aux directives applicables	Deve essere riciclato e deve essere sempre smaltito secondo le direttive applicabili	Πρέπει να ανακυκλώνεται και πρέπει πάντα να απορρίπτεται σύμφωνα με τις ισχύουσες οδηγίες
	Ground connection point	Point de connexion au sol	Punto di connessione a terra	Σημείο σύνδεσης γείωσης
	Complies with applicable safety directives and relative standards	Conforme aux directives de sécurité applicables et aux normes relatives	Conforme alle direttive di sicurezza applicabili e alle relative norme	Συμμορφώνεται με τις ισχύουσες οδηγίες ασφαλείας και τα σχετικά πρότυπα

SRPSKI	HRVATSKI	ROMÂNĂ	MAGYAR	LIETUVIŲ K.
OBJAŠNJENJE SIMBOLA	OBJAŠNJENJE SIMBOLA	EXPLICAREA SIMBOLURILOR	SZIMBÓLUMOK JELENTÉSE	SIMBOLIŲ PAAIŠKINIMAS
Rizik od oštećenja, usled smetnji u elektromagnetnom polju	Rizik od oštećenja, zbog smetnji elektromagnetskog polja	Risc de deteriorare, din cauza interferenței câmpului electromagnetic	Sérülésveszély az elektromágneses tér interferenciája miatt	Žalos rizika dėl elektromagnetinio lauko trukdžių
Rizik od povreda, zbog prevrtaka	Opasnost od ozljeda zbog prevrtanja	Risc de rănire, din cauza răsturnării	Sérülésveszély felborulás miatt	Sužalojimo rizika dėl apvertimo
Rizik od trovanja, zbog otrovnih gasova	Opasnost od trovanja, zbog otrovnih plinova	Risc de otrăvire, din cauza gazelor toxice	Mérgezésveszély a mérgező gázok miatt	Apsinuodijimo rizika dėl toksiškų dujų
Rizik od oštećenja. Držite ljude, životinje ili obližnje imovinu najmanje 15 metara dalje	Rizik od oštećenja. Držite ljude, životinje ili obližnje imanje na udaljenosti od najmanje 15 m	Risc de deteriorare. Țineți oamenii, animalele sau bunurile din apropiere la cel puțin 15 m distanță	Sérülésveszély. Tartsa az embereket, állatokat vagy a közeli ingatlant legalább 15 m távolságra	Žalos rizika. Laikykite žmones, gyvūnus ar netoliese esantį turą bent už 15 m atstumu
Rizik od požara	Opasnost od požara	Risc de incendiu	Tűzveszély	Gaisro pavojus
Ne držite ili ne radite u vlažnom okruženju	Nemojte držati ili ne radite u mokrom okruženju	Nu păstrați și nu acționați într-un mediu umed	Ne tárolja és ne működtesse nedves környezetben	Negalima laikyti ar veikti drėgnoje aplinkoje
Ne postavite ili operišite na skлоне površine	Nemojte stavljati ili raditi na nagnutim površinama	Nu așezați și nu acționați pe suprafețe înclinate	Ne helyezze és ne működtesse ferde felületeken	Nedėkite ir nedirbkite ant pasvirusių paviršių
Operišu najmanje 1,5 metara od obližnjih ljudi, životinja, objekata ili zgrada	Radite na udaljenosti od najmanje 1,5 m od ljudi, životinja, objekata ili zgrada u blizini	Operați la cel puțin 1,5 m distanță de persoane, animale, obiecte sau clădiri din apropiere	A közeli emberektől, állatoktól, tárgyaktól vagy épületektől vagy épületektől legalább 1,5 m távolságra működjön	Valdykite bent 1,5 m atstumu nuo netoliese esančių žmonių, gyvūnų, objektų ar pastatų
Mora se reciklirati i uvek ga treba raspolagati u skladu sa važećim direktivama	Mora se reciklirati i uvijek zbrinuti u skladu sa važećim direktivama	Trebuie reciclat și trebuie întotdeauna eliminat în conformitate cu directivele aplicabile	Újrahasznosítani kell, és mindig a vonatkozó irányelveknek megfelelően kell ártalmatlanítani	Turi būti perdirbtas ir visada turi būti šalinamas pagal taikomas direktyvas
Tačka prizemne veze	Točka povezivanja tla	Punct de conectare la sol	Föld csatlakozási pont	Ižeminius jungties taškas
U skladu sa važećim bezbednosnim direktivama i relativnim standardima	U skladu s primjenjivim sigurnosnim direktivama i relativnim standardima	Respectă directivele de siguranță aplicabile și standardele aferente	Megfelel a vonatkozó biztonsági irányelveknek és a vonatkozó szabványoknak	Atitinka taikomas saugos direktyvas ir santykinius standartus

ENGLISH

GENERAL SAFETY WARNINGS

Read and understand this owner's manual before operating this product. You can help prevent accidents by being familiar with your product's controls and by observing safe operating procedures and safety signs. Always use your common sense to avoid all situations considered beyond your capability. Do not use while you are tired or under the influence of drugs, alcohol or any other medication. Keep bystanders and animals that could be hurt, as well as items that could be damaged, away while operating. Never allow children or people unfamiliar with these instructions to use the product. Local laws may restrict the minimum age of the operator. Bear in mind that the operator or user is responsible for accidents or unexpected events occurring to other people, animals or their property. Do not expose the product to excessive moisture, dust, dirt or corrosive vapors. Do not mount equipment or accessories on the machine not foreseen or approved by the manufacturer. Never attempt to modify the product. Non-authorized modifications or accessories can result in serious personal injury or the death of the operator or others. Consult your authorized dealer for disassembly and service, not covered in this manual. If something breaks or an accident occurs while working, turn off the machine immediately and move it away to prevent further damage. In case foreign body has entered the machine, stop it immediately, inspect it for any damage and make repairs before starting it again.

PROTECTIVE EQUIPMENT

Make sure that you use appropriate and certified protective equipment when operating the unit. Always wear clothing which does not hamper movements, protective gloves, goggles, half-mask respirator, ear protection and anti-shear safety boots with non-slip soles. Never wear scarves, necklaces or any hanging or flapping accessory and clothing that could catch in the machine. Tie up your hair if it is long.

POISON HAZARDS

Operate only outdoors and in well ventilated areas. When running, the engine exhausts poisonous carbon monoxide, an odorless and colorless gas. Inhaling carbon monoxide will cause nausea, fainting or death. Do not operate the machine in a confined space where dangerous carbon monoxide fumes can develop, or near open windows.

Fuel and oil are extremely toxic. Do not inhale fuel evaporative gases and always wear appropriate protective equipment when handling them. Always store fuel and oil in approved containers and dispose responsibly.

FIRE AND BURN HAZARDS

Fuel and oil are flammable. Follow the instructions provided by each manufacturer before use. Potential sources of fire or spark should be kept away at all times. Do not smoke near the machine or any fuel

and oil. Refuel only outdoors, in a well-ventilated area, with the engine shut off. Slowly open the fuel tank to allow the pressure inside to decrease gradually. Do not overfill the fuel tank. Make sure that there is some distance between any spare gasoline tank and the unit, to prevent unnecessary danger. Make sure that any and all spilled fuel and oil has been wiped off before starting the engine.

Some parts of the machine get hot enough to ignite flammable materials. Do not use in areas with high risk of fire. Do not direct the silencer and therefore the exhaust fumes towards flammable materials.

If a fire occurs, use an appropriate fire extinguisher especially designed for oil and gasoline fire.

Some parts of the machine get hot enough to cause burn damage. Pay attention not to touch them in order to avoid getting burned. Let the machine cool before storing it.

CATEGORY SAFETY WARNINGS

SAFE OPERATION

All of the operational levers of the machine must move from one position to the other easily and must not need forcing. The electric cables and the spark plug cable must be in perfect condition to avoid the generation of any sparks. The spark plug cap must be correctly fitted on the spark plug. The handgrips and protection devices must be clean and dry as well as securely fastened to the machine.

Always check for any objects that may block the air intake screen before beginning to work. A clogged air intake reduces the machine's performance and increases the engine's working temperature, which can result in engine failure.

Make sure that you stop the machine:

- ▶ When mounting or removing accessories.
- ▶ Whenever you leave the machine unattended.
- ▶ During refueling.
- ▶ During cleaning or maintenance.
- ▶ When moving between work areas.
- ▶ During transportation.
- ▶ Before storage.

ELECTRICITY HAZARDS

Make sure that the electric outlets of the machine and the cables and plugs that are connected to it are in good condition and not worn. Never use a damaged machine or a machine with damaged or worn electric cables and plugs. Do not expose the machine and the electric cables to wet conditions and never touch when wet. Use the ground contact. Do not come in contact with grounded surfaces or electric cables, to avoid the risk of electric shock. Do not use the cable to pull the plug out of the socket. Always lead the power cable away from the rear of the machine and protect it from heat, oil and sharp objects.

. When the machine is to be used outdoors, use only extension cords intended for outdoor use. The cross section of any extension cable must measure at least 1,5mm² and the mains connection must be protected by an appropriate fuse.

ROTATING PARTS HAZARDS

Rotating parts can cause serious injury. Avoid con-

tacting the rotating parts when they are still in rotation.

NOISE AND VIBRATION HAZARDS

The noise and vibration levels shown in these instructions are the maximum levels for use of the machine. Insufficient maintenance has a significant impact on vibration and noise emissions. Consequently, it is necessary to take preventive steps to eliminate possible damage due to high levels of noise and stress from vibration. Maintain the machine well, wear ear protection devices, anti-vibration gloves and take breaks while working. During a working day, you shall take frequent and adequate breaks to prevent damage from vibration and damage to the ears.

WORKING AREA HAZARDS

Thoroughly inspect the whole work area and remove anything that could be a hazardous source or cause damage to the machine. Check that there are no bystanders, animal or items that could be damaged within the machine's range of action.

Work only in daylight, or with suitable artificial light, in good visibility conditions. Try not to cause any noise disturbance, by only using this machine at reasonable times of the day.

Take on a firm and well-balanced position. Where possible, avoid working on wet, slippery ground or in any case on uneven or steep ground that does not guarantee stability for the operator or proper operation conditions for the machine.

Operate the machine in a free space, away from surrounding objects or walls to guarantee safe operation and clean air circulation for the intake.

REMAINING HAZARDS

The machine was built using modern technology and in accordance with recognized safety rules. Even when all safety measures are in place, some remaining hazards, which are not yet evident, may be present. The operator should use common sense and take necessary precautions to avoid risk due to remaining hazards.

PRODUCT SPECIFICATIONS

INTENDED USE

This machine is designed and manufactured to provide electrical power in areas where utility power is unavailable or unreliable.

Any other use differing from the above-mentioned ones could be hazardous, harm people and damage things and the machine itself.

IMPROPER USE

The machine must not be used for powering appliances other than the ones it is intended according to its specifications.

Other examples of improper use may include, but are not limited to, operation of the machine:

- ▶ Without the original accessories supplied by the manufacturer.
- ▶ With original accessories but in a way not in accordance to the instructions.
- ▶ Without original spare parts.

- ▶ With unauthorized modifications.

According to the applicable product liability laws, the manufacturer of the device does not assume liability for damages to the product or damages caused by the product that occurs due to:

- ▶ Improper handling no complied with the operating instructions.
- ▶ Repairs by third parties and not by authorized service technicians.
- ▶ Installation of non-original spare parts.
- ▶ Non-intended use.
- ▶ Electrical system breakdown due to operation of the machine in a manner not compliant with the electric and VDE regulations.

TECHNICAL DATA PAGE 60

IDENTIFICATION (FIG. 1)

1. AC output
2. Ground terminal
3. Battery
4. Oil dipstick
5. Main switch
6. Recoil starter
7. Fuel valve
8. Air cleaner
9. Choke lever
10. Fuel tank
11. Fuel tank cap
12. Voltmeter
13. AC thermal protection

OPERATION

PREOPERATION

Unpacking and completing the assembly should be done on a flat and stable surface, with enough space for moving the machine and its packaging, always making use of suitable equipment. The assembly should be carried out by trained personnel at your nearest dealer shop, where necessary.

Fueling and lubrication

WARNING

The machine is delivered without oil and fuel.

This product is equipped with a 4-stroke engine meaning gasoline should be used in fuel tank and the engine should be filled with oil.

Fuel specifications: Unleaded gasoline or 90 octane of higher.

Fuel tank capacity: Refer to "TECHNICAL DATA TABLE"

To fill the machine with fuel (Fig. 2):

1. Remove the fuel tank cap.
2. Add fuel to the upper level of the fuel tank. Leave a minimum 5 mm of space between the top of the fuel and the inside edge of the tank to allow for expansion. Half the length of the fuel tank cap filter can also work as the upper fuel level sign, where available.
3. Reposition the fuel tank cap and tighten appropriately.

WARNING

Always use clean container for storing fuel and do not use fuel stored for more than a month.

Oil specifications: For general use (5°C - 38°C) the recommended oil is 4-stroke engine oil SAE 15W40 (Fig. 3).

Engine oil capacity: Refer to "TECHNICAL DATA TABLE"

To fill the engine with oil:

1. Remove the oil filler cap (Fig. 4.1) from the engine oil filler neck (Fig. 4.2). The bottom part of it is the oil level indicator.
2. Gradually add enough oil to bring the oil level to the lip of the oil filler neck, up to the upper level (Fig. 4.3) and not lower than the lower level (Fig. 4.4).
3. Reposition the oil filler cap and tighten appropriately.

WARNING

Use a funnel in order to avoid spilling fuel or oil. Wipe off any spilled fuel and oil before starting the engine.

To connect the battery, applies only to models with electric start:

1. Open the battery panel.
2. Remove the battery from its position.
3. Connect the positive (red) cable to the positive pole of the battery.
4. Connect the positive (black) negative to the negative pole of the battery.
5. Reposition the battery and its panel.

STARTING THE UNIT

Before starting the machine:

- ▶ Make sure both the machine and you are on stable ground.
- ▶ Check that all the fasteners are secured in position.
- ▶ Disconnect all electrical loads from the generator. Never start or stop the generator with electrical devices plugged in or turned on.
- ▶ Check that the air filter is clean and that the air intake and exhaust are not clogged by any foreign materials.
- ▶ Fill with the required quantity of oil and fuel.

To start the machine:

1. Open the fuel valve, located on the bottom side of the fuel tank.
2. Move the choke lever (Fig. 5) to the "CHOKE" position.

NOTE

This step applies only to cold starting of the engine. When the engine is already warm or the environment temperature is high, the choke lever must remain at "RUN" position at all times.

3. Grip firmly the handle of the machine with your left hand and the starter grip (Fig. 6.2) of the engine with your right hand. Pull the starter grip until you feel resistance to engage the engine and then pull firmly to start the engine.

WARNING

To avoid breaking the starter rope (Fig. 6.1), do not pull the whole length of it or let it slide along the edge of the cable guide hole. Release the starter gradually, to avoid letting it fly back uncontrollably.

NOTE:

For machines with electric ignition, you can use the ignition switch instead, by pushing it briefly until the engine starts.

4. As the engine warms up, move the choke lever to

the "RUN" position, if the engine was cold started.

NOTE

For maximum performance and reliability, allow the engine to warm up before operating at full load, running it for two to three minutes at idle speed.

MAIN SWITCH

▶ OFF: The ignition circuit is switched off. The engine will not run.

▶ ON: The ignition circuit is switched ON. The engine can run.

Low oil sensor

When the oil level falls below the lower level, the low oil sensor is engaged and then the engine stops automatically. Unless you refill with oil, the engine will not start again.

THERMAL PROTECTION

The thermal protection is engaged when an overload of a connected electrical device is detected, stopping power generation in order to protect the generator and any connected electric devices. When the thermal protection comes on and power generation stops, proceed as follows:

1. Turn off any connected electric devices and stop the engine.
2. Reduce the total wattage of connected electric devices within the rated output.
3. Check for blockages in the cooling air inlet and around the control unit. If any blockages are found, remove them.
4. Turn on the protector by pressing it back into position.
5. After checking, restart the engine.

WARNING

If the thermal protection engages again, stop using the device immediately and consult our company authorized dealer.

GROUND TERMINAL

Ground terminal connects the earth line for prevention of electric shock. When the electric device is earthed, always the generator must be earthed. In order to prevent electric shock due to shoddy electrical appliances or wrong use of electricity, the generator must be grounded with a good quality insulated conductor.

STOPPING THE UNIT

To stop the machine:

1. Turn off and unplug all electrical loads.

WARNING

Never start or stop the generator with electrical devices plugged in or turned on.

2. Let the generator run at no-load for several minutes, to stabilize internal temperatures of the engine and the generator.
3. Turn the main switch to "OFF" position. Ignition circuit is switched on.
4. Turn the fuel valve off.

MAINTENANCE AND CLEANING

WARNING

Never do maintenance or cleaning with the unit run-

ning. Always work on a cool unit. Before cleaning or doing maintenance work, disconnect the spark plug cap and read the relevant instructions. Always wear proper clothing and protective gloves whenever your hands are at risk.

Any adjustments or maintenance operations not described in this manual must be carried out by your Dealer or a specialized Service Centre with the necessary knowledge and equipment to ensure that the work is done correctly maintaining the machine's original safety level. Any operations performed in unauthorized centers or by unqualified persons will totally invalidate the Warranty and all obligations and responsibilities of the Manufacturer.

Keep all nuts and screws tight to be sure the machine is always in safe working condition. Routine maintenance is essential for safety and for maintaining a high-performance level.

WARNING

Never use the machine with worn or damaged parts. Faulty or worn-out parts must always be replaced and not repaired. Only use original spare parts.

MAINTENANCE SCHEDULE

Items	Frequency	Before each use	After 1st month or first 20hrs of operation	Every 3 months or 50hrs of operation	Every 12 months or 100hrs of operation	Every 24 months or 250hrs of operation
Complete unit	Visual Inspection	√				
Control handles	Check Operation	√				
Spark arrester (if available)	Check			√*		
Engine oil	Check-Refill	√				
	Replace		√	√		
Air filter	Check	√				
	Clean		√			
	Replace			√		
Spark plug	Check - Adjust		√		√*	
Fuel line and filter	Check - Clean **				√*	
Fuel tank	Check - Clean **					√*
Deposit cup (if available)	Clean		√	√		
Valve clearance	Check - Adjust **				√	
Combustion chamber	Check - Clean **					√*

*These items should be replaced if needed.

**These operations should be carried out only by authorised dealer, that have the appropriate tools and the required mechanical proficiency.

ENGINE OIL WARNING

Checking the level and changing the oil should be done on solid and level ground. The engine has to be stopped at all times. If the engine had been running, it will be hot and the procedure should be done with care and necessary precautions in order to avoid burn danger.

NOTE

Drain the used oil while the engine is warm. Warm oil drains quickly and completely.

To check the oil level:

1. Remove the oil filler cap (Fig. 7.6) from the engine oil filler neck (Fig. 7.1).
2. Check the oil level. The oil level should reach the lip (Fig. 7.7) of the oil filler neck. If required, add enough oil to bring the oil level to the lip of the oil filler neck, up to the upper level and not lower than the lower level.
3. Reposition the oil filler cap and tighten appropriately.

To change the oil:

1. Remove the oil filler cap from the engine oil filler neck.
2. Place a suitable container (Fig. 7.3) under the oil drain hole (Fig. 7.2) to catch the used oil.
3. Remove the oil drain plug (Fig. 7.4) and washer (Fig. 7.5) to allow the oil to drain completely.
4. Reposition the oil drain plug with its washer and tighten appropriately.
5. Gradually add enough oil to bring the oil level to the lip of the oil filler neck, up to the upper level and not lower than the lower level.
6. Reposition the oil filler cap and tighten appropriately.

NOTE

If the engine frequently works under extremely dusty or other severe circumstances, change the engine oil every 25 hours.

WARNING

Running the engine with low oil level will cause engine damage.

AIR FILTER

WARNING

Operating the engine without an air cleaner, or with a damaged air cleaner, will allow dirt to enter the engine, causing rapid engine wear.

To check, clean or change the air filter:

1. Remove the air filter cover (Fig. 8.1).
2. Make sure that the air filter element (Fig. 8.2) is free from dirt and in a good condition. If it is dirty, remove and clean it.
3. To clean a foam air filter element wash it with home detergent and hot water and let it dry. Then soak it in clean saturated engine oil and gently squeeze out excess oil. If required, replace it with a new one.

To clean a paper air filter element, clean light dirt by gently taping it a few times on a hard surface and replace if heavy dirt is present.

- Clean the inside of the air filter case and cover from dirt with a soft cloth. If the engine is equipped with an oil bath type air filter, replace the oil with new engine oil.
- Reinstall the air filter element and follow the reverse procedure to put back in position the air filter cover.

WARNING

Never clean the air filter with flammable or low flash-point detergents to avoid the risk of a fire or explosion.

NOTE

If the engine frequently works under dusty or other severe circumstances, clean the air filter every 10 hours and add change its oil with new. If necessary, change the air filter element every 25 hours.

SPARK PLUG

To maintain the spark plug (Fig. 9.4):

- Remove the spark plug cap (Fig. 9.1) to access the spark plug (Fig. 9.2).
- Use an appropriate spark plug tool (Fig. 9.3) to carefully remove the spark plug.
- Inspect the condition of the spark plug and its electrode. It must be clean and not worn. Check that the spark plug gap is between 0.7 and 0.8mm. Replace the spark plug with a new one, if needed.
- Carefully thread the spark plug into the engine by hand.
- Once threaded, use the appropriate spark plug tool to tighten the spark plug, paying attention not to use excessive force damaging the threads.
- Re-attach the spark plug cap.

WARNING

Never allow dirt or debris to enter the cylinder bore. Before removing the spark plug, thoroughly clean the spark plug and cylinder head area.

FUEL SEDIMENT CUP**WARNING**

Maintain the fuel carburetor only outdoors and in well ventilated areas.

To maintain the fuel sediment cup:

- Turn the fuel valve to the "OFF" position (Fig. 10.1).
- Remove the carburetor fuel sediment cup (Fig. 10.1) with its rubber seal ring (Fig. 10.1).
- Wash the removed parts in solvent, dry them thoroughly.

WARNING

Never clean the fuel sediment cup with flammable or low flash-point detergents to avoid the risk of a fire or explosion.

- Replace the rubber seal ring with a new one if needed.
- Reinstall the rubber seal ring and sediment cup and secure in position.
- Turn the fuel valve to "ON" position and check for any fuel leaks.

FUEL FILTER

The fuel tank may be fitted with a filter, depending on tiller model, situated at the fuel tank cap. The fuel filter can be picked out and should be checked periodically. If the filter is dirty, clean it and replace it

with a new one when required. In case the inside of the fuel tank is dirty, it can be cleaned by rinsing the fuel tank with clean petrol.

CLEANING

Use a small soft brush to clean the outside of the unit. Do not use strong detergents. Household cleaners that contain aromatic oils such as pine and lemon and solvents such as kerosene can damage plastic housing or handle. Wipe off any moisture with a soft cloth.

STORAGE**WARNING**

Never store the unit with fuel in the tank and always allow the unit to cool before storing. Store the unit only in dry and well ventilated areas.

In case the unit will be stored for an extended time, use the following storage procedure:

- Drain all fuel from the fuel tank.
- Run the engine until it stalls due to lack of fuel.
- Replace the engine oil with new.
- Remove the spark plug and put 30 ml of high quality motor oil into the cylinder. Pull the starter rope slowly to distribute the oil and then reinstall the spark plug.
- Thoroughly clean the unit and inspect for any loose or damaged parts. Repair or replace damaged parts and tighten loose screws, nuts or bolts.
- Lubricate all parts required with an oil damp cloth to avoid rust built-up.

ENVIRONMENTAL PROTECTION

Recycle raw materials instead of disposing as waste. Machine, accessories and packaging should be sorted for environment friendly recycling. The plastic components are labeled for categorized recycling. Dispose used motor oil and the containers in a manner that is compatible with the environment. We suggest you take it in a sealed container to your local recycling center or service station for reclamation. Do not throw it in the trash, pour it on the ground, or pour it down a drain.

WARRANTY

This product is warranted in accordance with the legal / country specific regulations, effective from the date of purchase by the first user. Damage attributable to normal wear and tear, overload or improper handling will be excluded from the warranty. In case of a claim, please send the machine, completely assembled, to your dealer or the official service center.

FRANÇAIS

AVERTISSEMENTS GÉNÉRAUX DE SÉCURITÉ

Lisez et comprenez ce manuel du propriétaire avant d'utiliser ce produit. Vous pouvez aider à prévenir les accidents en vous familiarisant avec les commandes de votre produit et en observant les procédures d'utilisation et les panneaux de sécurité en toute sécurité. Utilisez toujours votre bon sens pour éviter toutes les situations considérées comme dépassant vos capacités. Ne pas utiliser lorsque vous êtes fatigué ou sous l'influence de drogues, d'alcool ou de tout autre médicament. Éloignez les passants et les animaux qui pourraient être blessés, ainsi que les objets qui pourraient être endommagés, pendant le fonctionnement. Ne laissez jamais des enfants ou des personnes non familiarisées avec ces instructions utiliser le produit. Les lois locales peuvent restreindre l'âge minimum de l'opérateur. Gardez à l'esprit que l'opérateur ou l'utilisateur est responsable des accidents ou événements inattendus survenant à d'autres personnes, animaux ou leurs biens. N'exposez pas le produit à une humidité excessive, à la poussière, à la saleté ou à des vapeurs corrosives. Ne pas monter d'équipements ou d'accessoires sur la machine non prévus ou approuvés par le fabricant. N'essayez jamais de modifier le produit. Des modifications ou des accessoires non autorisés peuvent entraîner des blessures graves ou la mort de l'opérateur ou d'autres personnes. Consultez votre revendeur agréé pour le démontage et l'entretien, qui ne sont pas traités dans ce manuel. Si quelque chose se brise ou qu'un accident survient pendant le travail, éteignez immédiatement la machine et éloignez-la pour éviter d'autres dommages. Si un corps étranger a pénétré dans la machine, l'arrêtez immédiatement, l'inspecter pour tout dommage et effectuer les réparations avant de la redémarrer.

ÉQUIPEMENT PROTECTEUR

Assurez-vous que vous utilisez un équipement de protection approprié et certifié lors de l'utilisation de l'unité. Portez toujours des vêtements qui ne gênent pas les mouvements, des gants de protection, des lunettes, un demi-masque respiratoire, des protections auditives et des bottes de sécurité anti-cisaillage à semelles antidérapantes. Ne portez jamais d'écharpes, de colliers ou d'accessoires et vêtements suspendus ou flottants qui pourraient s'accrocher dans la machine. Attachez vos cheveux s'ils sont longs.

RISQUES DE POISON

Utiliser uniquement à l'extérieur et dans des zones bien ventilées. Lorsqu'il tourne, le moteur évacue du monoxyde de carbone toxique, un gaz inodore et incolore. L'inhalation de monoxyde de carbone provoque des nausées, des évanouissements ou la mort. N'utilisez pas la machine dans un espace confiné où des vapeurs dangereuses de monoxyde de carbone peuvent se développer, ou à proximité de fenêtres ouvertes.

Le carburant et l'huile sont extrêmement toxiques. N'inhaliez pas les gaz d'évaporation du carburant et portez toujours un équipement de protection approprié lors de leur manipulation. Stockez toujours le carburant et l'huile dans des conteneurs approuvés et éliminez-les de manière responsable.

RISQUES D'INCENDIE ET DE BRULURE

L'essence et l'huile sont inflammables. Suivez les instructions fournies par chaque fabricant avant utilisation. Les sources potentielles d'incendie ou d'étincelles doivent être tenues à l'écart à tout moment. Ne pas fumer à proximité de la machine ou de tout carburant et huile. Faire le plein uniquement à l'extérieur, dans un endroit bien aéré, avec le moteur coupé. Ouvrez lentement le réservoir de carburant pour permettre à la pression à l'intérieur de diminuer progressivement. Ne remplissez pas trop le réservoir de carburant. Assurez-vous qu'il y a une certaine distance entre tout réservoir d'essence de rechange et l'unité, pour éviter tout danger inutile. Assurez-vous que tout le carburant et l'huile renversés ont été essuyés avant de démarrer le moteur.

Certaines parties de la machine deviennent suffisamment chaudes pour enflammer des matériaux inflammables. Ne pas utiliser dans des zones à haut risque d'incendie. Ne pas diriger le silencieux et donc les gaz d'échappement vers des matériaux inflammables.

En cas d'incendie, utilisez un extincteur approprié spécialement conçu pour les incendies d'huile et d'essence.

Certaines parties de la machine deviennent suffisamment chaudes pour causer des brûlures. Faites attention à ne pas les toucher afin d'éviter de vous brûler. Laissez la machine refroidir avant de la ranger.

AVERTISSEMENTS DE SÉCURITÉ DE CATÉGORIE

FONCTIONNEMENT SÛR

Tous les leviers de commande de la machine doivent passer d'une position à l'autre facilement et ne doivent pas avoir besoin de forcer. Les câbles électriques et le câble de bougie doivent être en parfait état pour éviter la génération d'étincelles. Le capuchon de bougie doit être correctement monté sur la bougie. Les poignées et dispositifs de protection doivent être propres et secs et solidement fixés à la machine.

Vérifiez toujours la présence d'objets susceptibles de bloquer la grille d'admission d'air avant de commencer à travailler. Une prise d'air bouchée réduit les performances de la machine et augmente la température de fonctionnement du moteur, ce qui peut entraîner une panne du moteur. Assurez-vous d'arrêter la machine :

- ▶ Lors du montage ou du retrait d'accessoires.
- ▶ Chaque fois que vous laissez la machine sans surveillance.
- ▶ Pendant le ravitaillement.
- ▶ Pendant le nettoyage ou l'entretien.
- ▶ Lors des déplacements entre les zones de travail.

- ▶ Pendant le transport.
- ▶ Avant stockage.

RISQUES ÉLECTRIQUES

Assurez-vous que les prises électriques de la machine et les câbles et fiches qui y sont connectés sont en bon état et non usés. N'utilisez jamais une machine endommagée ou une machine avec des câbles et des fiches électriques endommagés ou usés. N'exposez pas la machine et les câbles électriques à des conditions humides et ne touchez jamais lorsqu'ils sont mouillés. Utilisez le contact au sol. N'entrez pas en contact avec des surfaces mises à la terre ou des câbles électriques, pour éviter le risque de choc électrique. N'utilisez pas le câble pour retirer la fiche de la prise. Éloignez toujours le câble d'alimentation de l'arrière de la machine et protégez-le de la chaleur, de l'huile et des objets tranchants. . Lorsque la machine doit être utilisée à l'extérieur, utilisez uniquement des rallonges destinées à une utilisation en extérieur. La section transversale de tout câble de rallonge doit mesurer au moins 1,5 mm² et la connexion au secteur doit être protégée par un fusible approprié.

RISQUES DES PIÈCES EN ROTATION

Les pièces en rotation peuvent causer des blessures graves. Évitez de toucher les pièces en rotation lorsqu'elles sont encore en rotation.

RISQUES DE BRUIT ET DE VIBRATION

Les niveaux de bruit et de vibration indiqués dans ces instructions sont les niveaux maximum pour l'utilisation de la machine. Un entretien insuffisant a un impact significatif sur les émissions de vibrations et de bruit. Par conséquent, il est nécessaire de prendre des mesures préventives pour éliminer les dommages possibles dus aux niveaux élevés de bruit et de stress dû aux vibrations. Entretenez bien la machine, portez des protections auditives, des gants anti-vibrations et faites des pauses pendant le travail. Au cours d'une journée de travail, vous devez prendre des pauses fréquentes et adéquates pour éviter les dommages dus aux vibrations et aux oreilles.

DANGERS DE LA ZONE DE TRAVAIL

Inspectez soigneusement toute la zone de travail et retirez tout ce qui pourrait être une source dangereuse ou endommager la machine. Vérifiez qu'il n'y a pas de spectateurs, d'animaux ou d'objets qui pourraient être endommagés dans le rayon d'action de la machine.

Travaillez uniquement à la lumière du jour, ou avec une lumière artificielle appropriée, dans de bonnes conditions de visibilité. Essayez de ne pas causer de nuisances sonores en n'utilisant cette machine qu'à des heures raisonnables de la journée.

Adoptez une position ferme et équilibrée. Dans la mesure du possible, évitez de travailler sur un sol mouillé, glissant ou en tout cas sur un sol accidenté ou escarpé qui ne garantit pas la stabilité pour l'opérateur ou les conditions de fonctionnement correctes de la machine.

Faites fonctionner la machine dans un espace libre,

loin des objets ou des murs environnants pour garantir un fonctionnement sûr et une circulation d'air propre pour l'admission.

RISQUES RESTANTS

La machine a été construite à l'aide de la technologie moderne et conformément aux règles de sécurité reconnues. Même lorsque toutes les mesures de sécurité sont en place, certains dangers restants, qui ne sont pas encore évidents, peuvent être présents. L'opérateur doit faire preuve de bon sens et prendre les précautions nécessaires pour éviter les risques dus aux dangers restants.

SPÉCIFICATIONS DU PRODUIT

UTILISATION PRÉVUE

Cette machine est conçue et fabriquée pour fournir de l'énergie électrique dans les zones où l'alimentation électrique n'est pas disponible ou n'est pas fiable.

Toute autre utilisation différente de celles mentionnées ci-dessus pourrait être dangereuse, blesser des personnes et endommager des choses et la machine elle-même.

UTILISATION INCORRECTE

La machine ne doit pas être utilisée pour alimenter d'autres appareils que ceux auxquels elle est destinée selon ses spécifications.

D'autres exemples d'utilisation inappropriée peuvent inclure, sans s'y limiter, le fonctionnement de la machine :

- ▶ Sans les accessoires d'origine fournis par le fabricant.
 - ▶ Avec des accessoires d'origine mais d'une manière non conforme aux instructions.
 - ▶ Sans pièces détachées d'origine.
 - ▶ Avec des modifications non autorisées.
- Conformément aux lois applicables en matière de responsabilité du fait des produits, le fabricant de l'appareil n'assume aucune responsabilité pour les dommages au produit ou les dommages causés par le produit qui se produisent en raison de :
- ▶ Manipulation non conforme aux instructions d'utilisation.
 - ▶ Réparations par des tiers et non par des techniciens de service agréés.
 - ▶ Installation de pièces de rechange non originales.
 - ▶ Utilisation non conforme.
 - ▶ Panne du système électrique due à un fonctionnement de la machine non conforme aux réglementations électriques et VDE.

SPÉCIFICATIONS TECHNIQUES PAGE 62

IDENTIFICATION (FIG. 1)

1. sortie CA
2. Borne de terre
3. Batterie
4. Jauge d'huile
5. Interrupteur principal
6. Lanceur à rappel
7. Vanne de carburant
8. Purificateur d'air

9. Levier de starter
10. Réservoir d'essence
11. Bouchon de réservoir de carburant
12. Voltmètre
13. Protection thermique CA

OPÉRATION

PRÉOPÉRATION

Le déballage et l'achèvement de l'assemblage doivent être effectués sur une surface plane et stable, avec suffisamment d'espace pour déplacer la machine et son emballage, en utilisant toujours un équipement approprié. Le montage doit être effectué par du personnel qualifié chez votre revendeur le plus proche, si nécessaire.

Ravitailement et lubrification

AVERTISSEMENT

La machine est livrée sans huile ni carburant.

Ce produit est équipé d'un moteur à 4 temps, ce qui signifie que l'essence doit être utilisée dans le réservoir de carburant et que le moteur doit être rempli d'huile.

Spécifications du carburant : Essence sans plomb ou indice d'octane 90 ou supérieur.

Capacité du réservoir de carburant : Se reporter au « TABLEAU DE DONNÉES TECHNIQUES »

Pour remplir la machine de carburant (Fig. 2) :

1. Retirez le bouchon du réservoir de carburant.
2. Ajoutez du carburant jusqu'au niveau supérieur du réservoir de carburant. Laissez un espace minimum de 5 mm entre le haut du carburant et le bord intérieur du réservoir pour permettre l'expansion. La moitié de la longueur du filtre du bouchon du réservoir de carburant peut également servir de signe de niveau de carburant supérieur, le cas échéant.
3. Repositionnez le bouchon du réservoir de carburant et serrez-le correctement.

AVERTISSEMENT

Utilisez toujours un récipient propre pour stocker le carburant et n'utilisez pas de carburant stocké pendant plus d'un mois.

Spécifications de l'huile : Pour une utilisation générale (5°C - 38°C), l'huile recommandée est l'huile moteur 4 temps SAE 15W40 (Fig. 3).

Capacité d'huile moteur : Se reporter au « TABLEAU DE DONNÉES TECHNIQUES »

Pour remplir le moteur d'huile :

1. Retirez le bouchon de remplissage d'huile (Fig. 4.1) du goulot de remplissage d'huile moteur (Fig. 4.2). La partie inférieure de celui-ci est l'indicateur de niveau d'huile.
2. Ajouter progressivement suffisamment d'huile pour amener le niveau d'huile à la lèvre du goulot de remplissage d'huile, jusqu'au niveau supérieur (Fig. 4.3) et pas plus bas que le niveau inférieur (Fig. 4.4).
3. Repositionnez le bouchon de remplissage d'huile et serrez-le correctement.

AVERTISSEMENT

Utilisez un entonnoir pour éviter de renverser du carburant ou de l'huile. Essayez tout déversement de carburant et d'huile avant de démarrer le moteur.

Pour connecter la batterie, s'applique uniquement

aux modèles avec démarrage électrique :

1. Ouvrez le panneau de la batterie.
2. Retirez la batterie de son emplacement.
3. Connectez le câble positif (rouge) au pôle positif de la batterie.
4. Connectez le négatif positif (noir) au pôle négatif de la batterie.
5. Repositionnez la batterie et son panneau.

DÉMARRAGE DE L'UNITÉ

Avant de démarrer la machine :

- ▶ Assurez-vous que la machine et vous êtes sur un sol stable.
- ▶ Vérifiez que toutes les fixations sont bien en place.
- ▶ Débranchez toutes les charges électriques du générateur. Ne jamais démarrer ou arrêter le générateur avec des appareils électriques branchés ou allumés.
- ▶ Vérifiez que le filtre à air est propre et que les entrées et sorties d'air ne sont pas obstruées par des corps étrangers.
- ▶ Remplissez avec la quantité requise d'huile et de carburant.

Pour démarrer la machine :

1. Ouvrez le robinet de carburant, situé sur le côté inférieur du réservoir de carburant.
2. Déplacez le levier de starter (Fig. 5) sur la position « CHOKE ».

REMARQUE

Cette étape s'applique uniquement au démarrage à froid du moteur. Lorsque le moteur est déjà chaud ou que la température ambiante est élevée, le levier de starter doit rester en position "RUN" à tout moment.

3. Saisissez fermement la poignée de la machine avec votre main gauche et la poignée de démarrage (Fig. 6.2) du moteur avec votre main droite. Tirez sur la poignée du démarreur jusqu'à ce que vous sentiez une résistance pour engager le moteur, puis tirez fermement pour démarrer le moteur.

AVERTISSEMENT

Pour éviter de casser la corde du lanceur (Fig. 6.1), ne la tirez pas sur toute sa longueur ou ne la laissez pas glisser le long du bord de l'orifice du guide-câble. Relâchez progressivement le démarreur, pour éviter qu'il ne revienne de façon incontrôlable.

REMARQUE:

Pour les machines à allumage électrique, vous pouvez utiliser le commutateur d'allumage à la place, en le poussant brièvement jusqu'à ce que le moteur démarre.

4. Au fur et à mesure que le moteur se réchauffe, déplacez le levier de starter sur la position « RUN », si le moteur a été démarré à froid.

REMARQUE

Pour des performances et une fiabilité maximales, laissez le moteur se réchauffer avant de fonctionner à pleine charge, en le faisant tourner pendant deux à trois minutes au ralenti.

INTERRUPTEUR PRINCIPAL

- ▶ OFF : Le circuit d'allumage est coupé. Le moteur ne fonctionnera pas.
- ▶ ON : Le circuit d'allumage est allumé. Le moteur peut tourner.

Capteur de bas niveau d'huile

Lorsque le niveau d'huile tombe en dessous du niveau inférieur, le capteur de bas niveau d'huile s'enclenche, puis le moteur s'arrête automatiquement. À moins que vous ne remplissiez d'huile, le moteur ne redémarrera pas.

PROTECTION THERMIQUE

La protection thermique est engagée lorsqu'une surcharge d'un appareil électrique connecté est détectée. arrêter la production d'électricité afin de protéger le générateur et tous les appareils électriques connectés. Lorsque la protection thermique s'active et que la production d'électricité s'arrête, procédez comme suit :

1. Éteignez tous les appareils électriques connectés et arrêtez le moteur.
2. Réduisez la puissance totale des appareils électriques connectés à la puissance nominale.
3. Vérifiez s'il y a des blocages dans l'entrée d'air de refroidissement et autour de l'unité de commande. Si des blocages sont détectés, supprimez-les.
4. Allumez le protecteur en appuyant dessus pour le remettre en place.
5. Après vérification, redémarrer le moteur.

AVERTISSEMENT

Si la protection thermique s'enclenche à nouveau, cessez immédiatement d'utiliser l'appareil et consultez notre revendeur agréé.

BORNE DE TERRE

La borne de terre connecte la ligne de terre pour éviter les chocs électriques. Lorsque l'appareil électrique est mis à la terre, le générateur doit toujours être mis à la terre. Afin d'éviter les chocs électriques dus à des appareils électriques de mauvaise qualité ou à une mauvaise utilisation de l'électricité, le générateur doit être mis à la terre avec un conducteur isolé de bonne qualité.

ARRÊT DE L'APPAREIL

Pour arrêter la machine :

1. Éteignez et débranchez toutes les charges électriques.

AVERTISSEMENT

Ne jamais démarrer ou arrêter le générateur avec des appareils électriques branchés ou allumés.

2. Laissez le générateur fonctionner à vide pendant plusieurs minutes, pour stabiliser les températures internes du moteur et du générateur.
3. Tournez l'interrupteur principal sur la position « OFF ». Le circuit d'allumage est allumé.
4. Fermez le robinet de carburant.

ENTRETIEN ET NETTOYAGE**AVERTISSEMENT**

N'effectuez jamais d'entretien ou de nettoyage lorsque l'appareil est en marche. Travaillez toujours sur une unité froide. Avant de nettoyer ou d'effectuer des travaux d'entretien, débranchez le capuchon de la bougie et lisez les instructions correspondantes. Portez toujours des vêtements appropriés et des gants de protection chaque fois que vos mains sont en danger.

Tous les réglages ou opérations d'entretien non décrits dans ce manuel doivent être effectués par votre revendeur ou un centre de service spécialisé disposant des connaissances et de l'équipement nécessaires pour garantir que le travail est effectué correctement en maintenant le niveau de sécurité d'origine de la machine. Toute opération effectuée dans des centres non autorisés ou par des personnes non qualifiées annulera totalement la Garantie et toutes les obligations et responsabilités du Fabricant.

Maintenez tous les écrous et vis serrés pour vous assurer que la machine est toujours en bon état de fonctionnement. Un entretien régulier est essentiel pour la sécurité et pour maintenir un niveau de performance élevé.

AVERTISSEMENT

N'utilisez jamais la machine avec des pièces usées ou endommagées. Les pièces défectueuses ou usées doivent toujours être remplacées et non réparées. N'utilisez que des pièces de rechange d'origine.

CALENDRIER DE MAINTENANCE

Des articles		La fréquence				
		Avant chaque utilisation	Après le 1er mois ou les 20 premières heures de fonctionnement	Tous les 3 mois ou 50h de fonctionnement	Tous les 12 mois ou 100 heures de fonctionnement	Tous les 24 mois ou 250h de fonctionnement
Unité complète	Inspection visuelle	✓				
Poignées de contrôle	Vérifier le fonctionnement	✓				
Pare-étincelles (si disponible)	Vérifier			✓*		
Huile moteur	Chèque-Recharge	✓				
	Remplacer		✓	✓		
Filtre à air	Vérifier	✓				
	Nettoyer		✓			
	Remplacer			✓		
Bougie d'allumage	Vérifier-Ajuster		✓		✓*	

Conduite de carburant et filtre	Vérifier-Nettoyer **				√*	
Réservoir d'essence	Vérifier-Nettoyer **					√*
Gobelet de dépôt (si disponible)	Nettoyer		√	√		
Le jeu des soupapes	Vérifier-Ajuster **				√	
Chambre de combustion	Vérifier-Nettoyer **					√*
*Ces éléments doivent être remplacés si nécessaire.						
**Ces opérations doivent être effectuées uniquement par un revendeur agréé, disposant des outils appropriés et des compétences mécaniques requises.						

HUILE MOTEUR

AVERTISSEMENT

Le contrôle du niveau et le changement d'huile doivent être effectués sur un sol solide et plat. Le moteur doit être arrêté à tout moment. Si le moteur avait tourné, il serait chaud et la procédure doit être effectuée avec soin et les précautions nécessaires afin d'éviter tout risque de brûlure.

REMARQUE

Vidangez l'huile usagée pendant que le moteur est chaud. L'huile chaude s'écoule rapidement et complètement.

Pour vérifier le niveau d'huile :

1. Retirez le bouchon de remplissage d'huile (Fig. 7.6) du goulot de remplissage d'huile moteur (Fig. 7.1).
2. Vérifiez le niveau d'huile. Le niveau d'huile doit atteindre la lèvre (Fig. 7.7) du goulot de remplissage d'huile. Si nécessaire, ajoutez suffisamment d'huile pour amener le niveau d'huile à la lèvre du goulot de remplissage d'huile, jusqu'au niveau supérieur et pas plus bas que le niveau inférieur.
3. Repositionnez le bouchon de remplissage d'huile et serrez-le correctement.

Pour changer l'huile :

1. Retirez le bouchon de remplissage d'huile du goulot de remplissage d'huile moteur.
2. Placer un récipient approprié (Fig. 7.3) sous l'orifice de vidange d'huile (Fig. 7.2) pour récupérer l'huile usagée.
3. Retirez le bouchon de vidange d'huile (Fig. 7.4) et la rondelle (Fig. 7.5) pour permettre à l'huile de s'écouler complètement.
4. Repositionner le bouchon de vidange d'huile avec sa rondelle et serrer convenablement.
5. Ajouter progressivement suffisamment d'huile pour amener le niveau d'huile jusqu'à la lèvre du goulot de remplissage d'huile, jusqu'au niveau supérieur et pas plus bas que le niveau inférieur.
6. Repositionnez le bouchon de remplissage d'huile et serrez-le correctement.

REMARQUE

Si le moteur fonctionne fréquemment dans des conditions extrêmement poussiéreuses ou dans d'autres circonstances graves, changez l'huile moteur toutes les 25 heures.

AVERTISSEMENT

Faire tourner le moteur entrainera un faible niveau d'huile endommagera le moteur.

FILTRE À AIR

AVERTISSEMENT

Faire fonctionner le moteur sans filtre à air, ou avec un filtre à air endommagé, permettra à la saleté de pénétrer dans le moteur, provoquant une usure rapide du moteur.

Pour vérifier, nettoyer ou changer le filtre à air :

1. Retirez le couvercle du filtre à air (Fig. 8.1).
2. Assurez-vous que l'élément du filtre à air (Fig. 8.2) est exempt de saleté et en bon état. S'il est sale, retirez-le et nettoyez-le.
3. Pour nettoyer un élément de filtre à air en mousse, lavez-le avec un détergent domestique et de l'eau chaude et laissez-le sécher. Ensuite, faites-le tremper dans de l'huile moteur propre et saturée et essorez doucement l'excès d'huile. Si nécessaire, remplacez-le par un neuf.
4. Pour nettoyer un élément de filtre à air en papier, nettoyez la saleté légère en le tapotant doucement plusieurs fois sur une surface dure et remplacez-le s'il y a de la saleté importante.
5. Nettoyez l'intérieur du boîtier du filtre à air et le couvercle de la saleté avec un chiffon doux. Si le moteur est équipé d'un filtre à air à bain d'huile, remplacer l'huile par de l'huile moteur neuve.
6. Réinstaller l'élément du filtre à air et suivre la procédure inverse pour remettre en place le couvercle du filtre à air.

AVERTISSEMENT

Ne nettoyez jamais le filtre à air avec des détergents inflammables ou à faible point d'éclair pour éviter le risque d'incendie ou d'explosion.

REMARQUE

Si le moteur fonctionne fréquemment dans des conditions poussiéreuses ou dans d'autres circonstances sévères, nettoyez le filtre à air toutes les 10 heures et ajoutez de l'huile neuve. Si nécessaire, changez l'élément du filtre à air toutes les 25 heures.

BOUGIE D'ALLUMAGE

Pour entretenir la bougie (Fig. 9.4) :

1. Retirez le capuchon de bougie (Fig. 9.1) pour accéder à la bougie (Fig. 9.2).
2. Utilisez un outil de bougie d'allumage approprié (Fig. 9.3) pour retirer soigneusement la bougie d'allumage.
3. Inspectez l'état de la bougie et de son électrode. Il doit être propre et non usé. Vérifier que l'écartement des bougies est compris entre 0,7 et 0,8 mm. Remplacez la bougie d'allumage par une nouvelle, si nécessaire.
4. Vissez soigneusement la bougie d'allumage dans le moteur à la main.
5. Une fois fileté, utilisez l'outil de bougie d'allumage approprié pour serrer la bougie d'allumage, en faisant attention à ne pas utiliser une force excessive pour endommager les filetages.
6. Remettez le capuchon de bougie d'allumage.

AVERTISSEMENT

Ne laissez jamais de la saleté ou des débris pénétrer dans l'alésage du cylindre. Avant de retirer la bougie,

nettoyez soigneusement la bougie et la zone de la cuvette.

COUPE DE SÉDIMENTS DE CARBURANT

AVERTISSEMENT

Entretenez le carburateur uniquement à l'extérieur et dans des zones bien ventilées.

Pour entretenir la coupelle de sédimentation du carburant :

1. Tournez le robinet de carburant à la position « OFF » (Fig. 10.1).
2. Retirez la coupelle de décantation de carburant du carburateur (Fig. 10.1) avec sa bague d'étanchéité en caoutchouc (Fig. 10.1).
3. Laver les pièces démontées dans un solvant, les sécher soigneusement.

AVERTISSEMENT

Ne nettoyez jamais la coupelle de sédiments de carburant avec des détergents inflammables ou à faible point d'éclair pour éviter le risque d'incendie ou d'explosion.

4. Remplacez la bague d'étanchéité en caoutchouc par une nouvelle si nécessaire.
5. Réinstallez la bague d'étanchéité en caoutchouc et la coupelle de sédimentation et fixez-les en position.
6. Tournez le robinet de carburant en position « ON » et vérifiez s'il y a des fuites de carburant.

FILTRE À CARBURANT

Le réservoir de carburant peut être équipé d'un filtre, selon le modèle de motoculteur, situé au niveau du bouchon du réservoir de carburant. Le filtre à carburant peut être retiré et doit être vérifié périodiquement. Si le filtre est sale, nettoyez-le et remplacez-le par un nouveau si nécessaire. Si l'intérieur du réservoir de carburant est sale, il peut être nettoyé en rinçant le réservoir de carburant avec de l'essence propre.

NETTOYAGE

Utilisez une petite brosse douce pour nettoyer l'extérieur de l'appareil. N'utilisez pas de détergents puissants. Les nettoyeurs ménagers qui contiennent des huiles aromatiques telles que le pin et le citron et des solvants tels que le kérosène peuvent endommager le boîtier ou la poignée en plastique. Essuyez toute humidité avec un chiffon doux.

STOCKAGE

AVERTISSEMENT

Ne stockez jamais l'appareil avec du carburant dans le réservoir et laissez toujours l'appareil refroidir avant de le ranger. Stockez l'appareil uniquement dans des zones sèches et bien aérées.

Dans le cas où l'unité sera stockée pendant une période prolongée, utilisez la procédure de stockage suivante :

1. Vidangez tout le carburant du réservoir de carburant.
2. Faites tourner le moteur jusqu'à ce qu'il cale en raison d'un manque de carburant.
3. Remplacez l'huile moteur par de l'huile neuve.
4. Retirez la bougie et mettez 30 ml d'huile moteur de haute qualité dans le cylindre. Tirez lente-

ment sur la corde du démarreur pour répartir l'huile, puis réinstallez la bougie.

5. Nettoyez soigneusement l'appareil et vérifiez qu'il n'y a pas de pièces desserrées ou endommagées. Réparez ou remplacez les pièces endommagées et serrez les vis, écrous ou boulons desserrés.
6. Lubrifiez toutes les pièces nécessaires avec un chiffon humide pour éviter l'accumulation de rouille.

PROTECTION ENVIRONNEMENTALE

Recycler les matières premières au lieu de les jeter comme déchets. La machine, les accessoires et les emballages doivent être triés pour un recyclage respectueux de l'environnement. Les composants en plastique sont étiquetés pour un recyclage catégorisé.

Éliminez l'huile moteur usagée et les conteneurs d'une manière compatible avec l'environnement. Nous vous suggérons de l'apporter dans un contenant scellé à votre centre de recyclage ou station-service local pour récupération. Ne le jetez pas à la poubelle, ne le versez pas sur le sol ou ne le versez pas dans un égout.

GARANTIE

Ce produit est garanti conformément aux réglementations légales/spécifiques au pays, en vigueur à compter de la date d'achat par le premier utilisateur. Les dommages attribuables à l'usure normale, à la surcharge ou à une mauvaise manipulation seront exclus de la garantie. En cas de réclamation, veuillez envoyer la machine, complètement assemblée, à votre revendeur ou au centre de service officiel.

ITALIANO

AVVERTENZE GENERALI DI SICUREZZA

Leggere e comprendere questo manuale del proprietario prima di utilizzare questo prodotto. Puoi aiutare a prevenire gli incidenti conoscendo i controlli del tuo prodotto e osservando le procedure operative sicure e i segnali di sicurezza. Usa sempre il tuo buon senso per evitare tutte le situazioni considerate oltre le tue capacità. Non utilizzare quando si è stanchi o sotto l'effetto di droghe, alcol o altri farmaci. Tenere lontani gli astanti e gli animali che potrebbero essere feriti, nonché gli oggetti che potrebbero essere danneggiati, durante il funzionamento. Non consentire mai a bambini o persone che non hanno familiarità con queste istruzioni di utilizzare il prodotto. Le leggi locali possono limitare l'età minima dell'operatore. Tenere presente che l'operatore o l'utente è responsabile di incidenti o imprevisti occorsi ad altre persone, animali o loro proprietà. Non esporre il prodotto a umidità eccessiva, polvere, sporco o vapori corrosivi. Non montare sulla macchina attrezzature o accessori non previsti o approvati dal costruttore. Non tentare mai di modificare il prodotto. Modifiche o accessori non autorizzati possono provocare gravi lesioni personali o la morte dell'operatore o di altri. Consultare il proprio rivenditore autorizzato per lo smontaggio e l'assistenza, non trattati in questo manuale. Se qualcosa si rompe o si verifica un incidente durante il lavoro, spegnere immediatamente la macchina e allontanarla per evitare ulteriori danni. Nel caso in cui corpi estranei siano entrati nella macchina, fermarla immediatamente, ispezionarla per eventuali danni ed effettuare le riparazioni prima di riavviarla.

ATTREZZATURA DI PROTEZIONE

Assicurarsi di utilizzare dispositivi di protezione appropriati e certificati durante il funzionamento dell'unità. Indossare sempre indumenti che non intralcino i movimenti, guanti protettivi, occhiali, respiratore a semimaschera, protezioni per le orecchie e stivali di sicurezza antitaglio con suola antiscivolo. Non indossare mai scarpe, collane o altri accessori e indumenti appesi o svolazzanti che potrebbero impigliarsi nella macchina. Lega i capelli se sono lunghi.

RISCHI DI VELENO

Operare solo all'aperto e in aree ben ventilate. Quando è in funzione, il motore emette monossido di carbonio velenoso, un gas inodore e incolore. L'inalazione di monossido di carbonio provoca nausea, svenimento o morte. Non azionare la macchina in uno spazio ristretto dove possono svilupparsi pericolosi fumi di monossido di carbonio o vicino a finestre aperte.

Il carburante e l'olio sono estremamente tossici. Non inalare i gas di evaporazione del carburante e indossare sempre dispositivi di protezione adeguati quando li si maneggia. Conservare sempre il carburante e l'olio in contenitori approvati e smaltirli in modo responsabile.

PERICOLI DI INCENDIO E USTIONI

La benzina e l'olio sono infiammabili. Seguire le istruzioni fornite da ciascun produttore prima dell'uso. Le potenziali fonti di fuoco o scintille devono essere sempre tenute lontane. Non fumare vicino alla macchina oa qualsiasi carburante e olio. Fare rifornimento solo all'aperto, in luogo ben ventilato, a motore spento. Aprire lentamente il serbatoio del carburante per consentire alla pressione interna di diminuire gradualmente. Non riempire eccessivamente il serbatoio del carburante. Assicurarsi che ci sia una certa distanza tra qualsiasi serbatoio di benzina di scorta e l'unità, per evitare inutili pericoli. Assicurarsi che tutto il carburante e l'olio fuoriusciti siano stati rimossi prima di avviare il motore.

Alcune parti della macchina si surriscaldano abbastanza da incendiare materiali infiammabili. Non utilizzare in aree ad alto rischio di incendio. Non dirigere il silenziatore e quindi i fumi di scarico verso materiali infiammabili.

In caso di incendio, utilizzare un estintore appropriato appositamente progettato per il fuoco di petrolio e benzina.

Alcune parti della macchina si surriscaldano abbastanza da provocare ustioni. Fare attenzione a non toccarli per evitare di scottarsi. Lascia raffreddare la macchina prima di riparla.

CATEGORIA AVVERTENZE DI SICUREZZA

FUNZIONAMENTO SICURO

Tutte le leve di manovra della macchina devono spostarsi facilmente da una posizione all'altra e non devono essere forzate. I cavi elettrici e il cavo della candela devono essere in perfette condizioni per evitare la generazione di scintille. Il cappuccio della candela deve essere montato correttamente sulla candela. Le impugnature ed i dispositivi di protezione devono essere puliti ed asciutti oltre che ben fissati alla macchina.

Controllare sempre la presenza di oggetti che potrebbero bloccare la griglia di aspirazione dell'aria prima di iniziare a lavorare. Una presa d'aria intasata riduce le prestazioni della macchina e aumenta la temperatura di lavoro del motore, il che può causare guasti al motore.

Assicurati di fermare la macchina:

- ▶ Durante il montaggio o la rimozione degli accessori.
- ▶ Ogni volta che lasci la macchina incustodita.
- ▶ Durante il rifornimento.
- ▶ Durante la pulizia o la manutenzione.
- ▶ Quando ci si sposta tra le aree di lavoro.
- ▶ Durante il trasporto.
- ▶ Prima dello stoccaggio.

PERICOLI ELETTRICI

Assicurarsi che le prese elettriche della macchina, i cavi e le spine ad essa collegate siano in buono stato e non usurate. Non utilizzare mai una macchina danneggiata o una macchina con cavi e spine elettriche danneggiati o usurati. Non esporre la macchina ai cavi elettrici a condizioni umide e non toccarli mai quando sono bagnati. Usa il contatto a terra. Non entrare in contatto con superfici messe

a terra o cavi elettrici, per evitare il rischio di scosse elettriche. Non utilizzare il cavo per estrarre la spina dalla presa. Condurre sempre il cavo di alimentazione lontano dal retro della macchina e proteggerlo da calore, olio e oggetti appuntiti. Quando la macchina deve essere utilizzata all'aperto, utilizzare solo prolunghe destinate all'uso esterno. La sezione di un'eventuale prolunga deve misurare almeno 1,5mm² e il collegamento alla rete deve essere protetto da un apposito fusibile.

PERICOLI DA PARTI ROTANTI

Le parti rotanti possono causare lesioni gravi. Evitare di entrare in contatto con le parti rotanti quando sono ancora in rotazione.

PERICOLI DA RUMORE E VIBRAZIONI

I livelli di rumore e vibrazione riportati in queste istruzioni sono i livelli massimi per l'utilizzo della macchina. Una manutenzione insufficiente ha un impatto significativo sulle emissioni di vibrazioni e rumore. Di conseguenza, è necessario adottare misure preventive per eliminare possibili danni dovuti a elevati livelli di rumore e sollecitazioni da vibrazioni. Effettuare una buona manutenzione della macchina, indossare dispositivi di protezione dell'udito, guanti antivibranti e fare delle pause durante il lavoro. Durante una giornata lavorativa, è necessario fare pause frequenti e adeguate per evitare danni da vibrazioni e danni alle orecchie.

PERICOLI NELL'AREA DI LAVORO

Ispezionare accuratamente l'intera area di lavoro e rimuovere tutto ciò che potrebbe essere una fonte pericolosa o causare danni alla macchina. Verificare che non vi siano astanti, animali o oggetti che potrebbero essere danneggiati nel raggio di azione della macchina.

Lavorare solo alla luce del giorno, o con adeguata luce artificiale, in buone condizioni di visibilità. Cerca di non causare alcun disturbo acustico, utilizzando questa macchina solo in orari ragionevoli della giornata.

Assumi una posizione ferma ed equilibrata. ove possibile, evitare di lavorare su terreni bagnati, sdrucciolevoli o comunque su terreni sconnessi o scoscesi che non garantiscano stabilità all'operatore o buone condizioni di funzionamento della macchina.

Far funzionare la macchina in uno spazio libero, lontano da oggetti o pareti circostanti per garantire un funzionamento sicuro e una circolazione dell'aria pulita per l'aspirazione.

PERICOLI RESIDUI

La macchina è stata costruita utilizzando moderne tecnologie e nel rispetto delle riconosciute norme di sicurezza. Anche quando tutte le misure di sicurezza sono in atto, possono essere presenti alcuni pericoli residui, che non sono ancora evidenti. L'operatore deve usare il buon senso e prendere le precauzioni necessarie per evitare rischi dovuti a pericoli rimanenti.

SPECIFICHE DEL PRODOTTO

USO PREVISTO

Questa macchina è progettata e prodotta per fornire energia elettrica in aree in cui l'alimentazione di rete non è disponibile o inaffidabile. Qualsiasi altro uso diverso da quelli sopra indicati potrebbe essere pericoloso, arrecare danno a persone e cose e alla macchina stessa.

USO IMPROPRIO

La macchina non deve essere utilizzata per alimentare apparecchi diversi da quelli a cui è destinata secondo le sue specifiche.

Altri esempi di uso improprio possono includere, ma non sono limitati, al funzionamento della macchina:

- ▶ Senza gli accessori originali forniti dal produttore.
- ▶ Con accessori originali ma in modo non conforme alle istruzioni.
- ▶ Senza ricambi originali.
- ▶ Con modifiche non autorizzate.

In base alle leggi applicabili sulla responsabilità del prodotto, il produttore del dispositivo non si assume alcuna responsabilità per danni al prodotto o danni causati dal prodotto che si verificano a causa di:

- ▶ Manipolazione impropria non conforme alle istruzioni per l'uso.
- ▶ Riparazioni da parte di terzi e non da tecnici di assistenza autorizzati.
- ▶ Installazione di ricambi non originali.
- ▶ Uso non previsto.
- ▶ Guasto all'impianto elettrico dovuto a funzionamento della macchina non conforme alle normative elettriche e VDE.

DATI TECNICI PAGINA 64

IDENTIFICAZIONE (FIG. 1)

1. Uscita CA
2. Terminale di terra
3. Batteria
4. Astina di livello dell'olio
5. Interruttore principale
6. Avviamento a strappo
7. Valvola del carburante
8. Filtro dell'aria
9. Leva dello starter
10. Serbatoio di carburante
11. Tappo del serbatoio del carburante
12. Voltmetro
13. Protezione termica CA

FUNZIONAMENTO

PREOPERAZIONE

Il disimballaggio e il completamento dell'assemblaggio devono essere effettuati su una superficie piana e stabile, con spazio sufficiente per spostare la macchina e il suo imballo, avvalendosi sempre di attrezzature adeguate. Il montaggio deve essere effettuato da personale qualificato presso il rivenditore più vicino, ove necessario.

Rifornimento e lubrificazione

AVVERTIMENTO

La macchina viene consegnata senza olio e carburante. Questo prodotto è dotato di un motore a 4 tempi, il che significa che la benzina deve essere utilizzata nel serbatoio del carburante e il motore deve essere riempito di olio.

Specifiche del carburante: benzina senza piombo o 90 ottani o superiore.

Capacità serbatoio carburante: Fare riferimento a "TABELLA DATI TECNICI"

Per riempire la macchina di carburante (Fig. 2):

1. Rimuovere il tappo del serbatoio del carburante.
2. Aggiungere carburante al livello superiore del serbatoio del carburante. Lasciare uno spazio minimo di 5 mm tra la parte superiore del carburante e il bordo interno del serbatoio per consentire l'espansione. La metà della lunghezza del filtro del tappo del serbatoio del carburante può fungere anche da indicatore del livello superiore del carburante, ove disponibile.
3. Riposizionare il tappo del serbatoio del carburante e serrare adeguatamente.

AVVERTIMENTO

Utilizzare sempre un contenitore pulito per conservare il carburante e non utilizzare carburante conservato per più di un mese.

Specifiche dell'olio: Per uso generale (5°C - 38°C) l'olio consigliato è l'olio per motori a 4 tempi SAE 15W40 (Fig. 3).

Capacità olio motore: Fare riferimento a "TABELLA DATI TECNICI"

Per riempire il motore di olio:

1. Rimuovere il tappo di riempimento dell'olio (Fig. 4.1) dal bocchettone di riempimento dell'olio motore (Fig. 4.2). La parte inferiore è l'indicatore del livello dell'olio.
2. Aggiungere gradualmente olio quanto basta per portare il livello dell'olio al bordo del bocchettone di riempimento olio, fino al livello superiore (Fig. 4.3) e non inferiore al livello inferiore (Fig. 4.4).
3. Riposizionare il tappo di riempimento dell'olio e serrare adeguatamente.

AVVERTIMENTO

Utilizzare un imbuto per evitare fuoriuscite di carburante o olio. Asciugare il carburante e l'olio versati prima di avviare il motore.

Per collegare la batteria vale solo per i modelli con avviamento elettrico:

1. Apri il pannello della batteria.
2. Rimuovere la batteria dalla sua posizione.
3. Collegare il cavo positivo (rosso) al polo positivo della batteria.
4. Collegare il negativo positivo (nero) al polo negativo della batteria.
5. Riposizionare la batteria e il suo pannello.

AVVIO DELL'UNITÀ

Prima di avviare la macchina:

- ▶ Assicuratevi che sia la macchina che voi siete su un terreno stabile.
- ▶ Controllare che tutti i dispositivi di fissaggio siano fissati in posizione.
- ▶ Scollegare tutti i carichi elettrici dal generatore. Non avviare o arrestare mai il generatore con dis-

positivi elettrici collegati o accesi.

- ▶ Verificare che il filtro dell'aria sia pulito e che l'aspirazione e lo scarico dell'aria non siano ostruiti da corpi estranei.
- ▶ Riempire con la quantità richiesta di olio e carburante.

Per avviare la macchina:

1. Aprire la valvola del carburante, situata sul lato inferiore del serbatoio del carburante.
2. Spostare la leva dell'aria (Fig. 5) in posizione "CHOKE".

NOTA

Questo passaggio si applica solo all'avviamento a freddo del motore. Quando il motore è già caldo o la temperatura ambiente è elevata, la leva dell'aria deve rimanere sempre in posizione "RUN".

3. Afferrare saldamente l'impugnatura della macchina con la mano sinistra e l'impugnatura di avviamento (Fig. 6.2) del motore con la mano destra. Tirare la manopola di avviamento finché non si avverte resistenza per innestare il motore, quindi tirare con decisione per avviare il motore.

AVVERTIMENTO

Per evitare di rompere la fune di avviamento (Fig. 6.1), non tirarla per tutta la sua lunghezza né farla scorrere lungo il bordo del foro passacavo. Rilasciare gradualmente il motorino di avviamento, per evitare che torni indietro in modo incontrollato.

NOTA:

Per le macchine con accensione elettrica è invece possibile utilizzare l'interruttore di accensione, premendolo brevemente fino all'avviamento del motore.

4. Mentre il motore si riscalda, spostare la leva dell'aria in posizione "RUN", se il motore è stato avviato a freddo.

NOTA

Per le massime prestazioni e affidabilità, lasciare che il motore si riscaldi prima di funzionare a pieno carico, facendolo funzionare per due o tre minuti al minimo.

INTERRUTTORE PRINCIPALE

▶ OFF: il circuito di accensione è spento. Il motore non funzionerà.

▶ ON: il circuito di accensione è acceso. Il motore può funzionare.

Sensore olio basso

Quando il livello dell'olio scende al di sotto del livello inferiore, viene attivato il sensore di livello dell'olio basso e quindi il motore si spegne automaticamente. A meno che non si rabbocchi di olio, il motore non si riavvia.

PROTEZIONE TERMICA

La protezione termica si attiva quando viene rilevato un sovraccarico di un dispositivo elettrico collegato. interrompere la produzione di energia per proteggere il generatore e gli eventuali dispositivi elettrici collegati. Quando la protezione termica si attiva e la generazione di energia si interrompe, procedere come segue:

1. Spegner tutti i dispositivi elettrici collegati e spegnere il motore.
2. Ridurre la potenza totale dei dispositivi elettrici collegati entro la potenza nominale.
3. Verificare la presenza di ostruzioni nell'ingresso

dell'aria di raffreddamento e intorno all'unità di controllo. Se vengono rilevati blocchi, rimuoverli.

4. Accendere la protezione premendola nuovamente in posizione.
5. Dopo il controllo, riavviare il motore.

AVVERTIMENTO

Se la protezione termica si innesta di nuovo, interrompere immediatamente l'utilizzo del dispositivo e consultare il rivenditore autorizzato della nostra azienda.

TERMINALE DI TERRA

Il terminale di terra collega la linea di terra per prevenire scosse elettriche. Quando il dispositivo elettrico è collegato a terra, il generatore deve essere sempre collegato a terra. Al fine di prevenire scosse elettriche dovute ad elettrodomestici scadenti o ad un uso improprio dell'energia elettrica, il generatore deve essere collegato a terra con un conduttore isolato di buona qualità.

ARRESTO DELL'UNITÀ

Per fermare la macchina:

1. Spegnerne e scollegare tutti i carichi elettrici.

AVVERTIMENTO

Non avviare o arrestare mai il generatore con dispositivi elettrici collegati o accesi.

2. Lasciare funzionare il generatore a vuoto per diversi minuti, per stabilizzare le temperature interne del motore e del generatore.
3. Portare l'interruttore principale in posizione "OFF". Il circuito di accensione è acceso.
4. Chiudere la valvola del carburante.

MANUTENZIONE E PULIZIA

AVVERTIMENTO

Non eseguire mai la manutenzione o la pulizia con l'unità in funzione. Lavorare sempre su un'unità fredda. Prima di effettuare operazioni di pulizia o manutenzione, scollegare il cappuccio della candela e leggere le relative istruzioni. Indossa sempre abiti adeguati e guanti protettivi ogni volta che le tue mani sono a rischio.

Eventuali regolazioni o operazioni di manutenzione non descritte in questo manuale devono essere eseguite dal vostro Concessionario o da un Centro Assistenza specializzato dotato delle conoscenze e delle attrezzature necessarie per garantire che il lavoro venga eseguito correttamente mantenendo il livello di sicurezza originale della macchina. Eventuali operazioni eseguite in centri non autorizzati o da persone non qualificate faranno decadere totalmente la Garanzia e tutti gli obblighi e le responsabilità del Costruttore.

Tenere serrati tutti i dadi e le viti per assicurarsi che la macchina sia sempre in condizioni di lavoro sicure. La manutenzione ordinaria è essenziale per la sicurezza e per mantenere un alto livello di prestazioni.

AVVERTIMENTO

Non utilizzare mai la macchina con parti usurate o danneggiate. Le parti difettose o usurate devono essere sempre sostituite e non riparate. Utilizzare solo ricambi originali.

PROGRAMMA DI MANUTENZIONE

Elementi		Frequenza				
		Prima di ogni utilizzo	Dopo il 1° mese o le prime 20 ore di funzionamento	Ogni 3 mesi o 50 ore di funzionamento	Ogni 12 mesi o 100 ore di funzionamento	Ogni 24 mesi o 250 ore di funzionamento
Unità completa	Ispezione visuale	√				
Maniglie di controllo	Controllare il funzionamento	√				
Parascintille (se disponibile)	Dai un'occhiata			√*		
Olio motore	Controllo - Ricarica	√				
	Sostituire		√	√		
Filtro dell'aria	Dai un'occhiata	√				
	Pulire		√			
	Sostituire			√		
Candela	Controlla - Regola		√		√*	
Tubo carburante e filtro	Controlla - Pulisci **				√*	
Serbatoio di carburante	Controlla - Pulisci **					√*
Coppa di deposito (se disponibile)	Pulire		√	√		
Gioco valvole	Controlla - Regola **				√	
Camera di combustione	Controlla - Pulisci **					√*

*Questi articoli devono essere sostituiti se necessario.

**Queste operazioni devono essere eseguite solo da rivenditori autorizzati, che dispongano degli strumenti appropriati e della competenza meccanica richiesta.

OLIO MOTORE

AVVERTIMENTO

Il controllo del livello e il cambio dell'olio devono essere effettuati su un terreno solido e in piano. Il motore deve essere sempre spento. Se il motore è stato acceso, sarà caldo e la procedura dovrebbe essere eseguita con cura e precauzioni necessarie per evitare il pericolo di ustioni.

NOTA

Scaricare l'olio usato mentre il motore è caldo. L'olio caldo si scarica rapidamente e completamente.

Per controllare il livello dell'olio:

1. Rimuovere il tappo di riempimento dell'olio (Fig.

- 7.6) dal bocchettone di riempimento dell'olio motore (Fig. 7.1).
- Controllare il livello dell'olio. Il livello dell'olio deve raggiungere il labbro (Fig. 7.7) del bocchettone di riempimento dell'olio. Se necessario, aggiungere olio a sufficienza per portare il livello dell'olio al bordo del bocchettone di riempimento dell'olio, fino al livello superiore e non inferiore al livello inferiore.
 - Riposizionare il tappo di riempimento dell'olio e serrare adeguatamente.

Per cambiare l'olio:

- Rimuovere il tappo di riempimento dell'olio dal bocchettone di riempimento dell'olio motore.
- Posizionare un apposito contenitore (Fig. 7.3) sotto il foro di scarico olio (Fig. 7.2) per raccogliere l'olio esausto.
- Rimuovere il tappo di scarico dell'olio (Fig. 7.4) e la rondella (Fig. 7.5) per far defluire completamente l'olio.
- Riposizionare il tappo di scarico olio con la relativa rondella e serrare opportunamente.
- Aggiungere gradualmente olio quanto basta per portare il livello dell'olio al bordo del bocchettone di riempimento dell'olio, fino al livello superiore e non inferiore al livello inferiore.
- Riposizionare il tappo di riempimento dell'olio e serrare adeguatamente.

NOTA

Se il motore funziona frequentemente in circostanze estremamente polverose o di altro tipo, cambiare l'olio motore ogni 25 ore.

AVVERTIMENTO

Far funzionare il motore a basso livello dell'olio causerà danni al motore.

FILTRO DELL'ARIA

AVVERTIMENTO

L'utilizzo del motore senza filtro dell'aria o con un filtro dell'aria danneggiato consentirà allo sporco di entrare nel motore, causando una rapida usura del motore.

Per controllare, pulire o sostituire il filtro dell'aria:

- Rimuovere il coperchio del filtro dell'aria (Fig. 8.1).
- Assicurarsi che l'elemento del filtro dell'aria (Fig. 8.2) sia privo di sporco e in buone condizioni. Se è sporco, rimuoverlo e pulirlo.
- Per pulire un elemento del filtro dell'aria in schiuma, lavarlo con detersivo per la casa e acqua calda e lasciarlo asciugare. Quindi immergerlo in olio motore saturo pulito e spremere delicatamente l'olio in eccesso. Se necessario, sostituirlo con uno nuovo.

Per pulire un elemento del filtro dell'aria in carta, pulire lo sporco leggero picchiettandolo delicatamente alcune volte su una superficie dura e sostituirlo se è presente sporco pesante.

- Pulire l'interno della scatola del filtro dell'aria e coprire dallo sporco con un panno morbido. Se il motore è dotato di filtro dell'aria del tipo a bagno d'olio, sostituire l'olio con olio motore nuovo.
- Reinstallare l'elemento del filtro dell'aria e seguire la procedura inversa per rimettere in posizione il coperchio del filtro dell'aria.

AVVERTIMENTO

Non pulire mai il filtro dell'aria con detergenti infiammabili o a basso punto di infiammabilità per evitare il rischio di incendio o esplosione.

NOTA

Se il motore funziona frequentemente in condizioni polverose o di altro tipo, pulire il filtro dell'aria ogni 10 ore e aggiungere il cambio dell'olio con uno nuovo. Se necessario, sostituire l'elemento del filtro dell'aria ogni 25 ore.

CANDELA

Per mantenere la candela (Fig. 9.4):

- Rimuovere il cappuccio candela (Fig. 9.1) per accedere alla candela (Fig. 9.2).
- Utilizzare uno strumento per candele appropriato (Fig. 9.3) per rimuovere con cautela la candela.
- Ispezionare le condizioni della candela e del suo elettrodo. Deve essere pulito e non indossato. Verificare che la distanza tra gli elettrodi sia compresa tra 0,7 e 0,8 mm. Se necessario, sostituire la candela con una nuova.
- Infilare a mano con cautela la candela nel motore.
- Una volta filettata, utilizzare l'apposito attrezzo per candele per serrare la candela, facendo attenzione a non esercitare una forza eccessiva danneggiando le filettature.
- Rimontare il cappuccio della candela.

AVVERTIMENTO

Non permettere mai che sporco o detriti entrino nell'alesaggio del cilindro. Prima di rimuovere la candela, pulire accuratamente la candela e l'area della testata.

TAZZA SEDIMENTI CARBURANTE

AVVERTIMENTO

Mantenere il carburatore del carburante solo all'aperto e in aree ben ventilate.

Per mantenere la tazza di sedimentazione del carburante:

- Portare la valvola del carburante in posizione "OFF" (Fig. 10.1).
- Rimuovere la coppa sedimenti carburante del carburatore (Fig. 10.1) con il suo anello di tenuta in gomma (Fig. 10.1).
- Lavare le parti rimosse in solvente, asciugarle accuratamente.

AVVERTIMENTO

Non pulire mai la coppa del sedimento del carburante con detergenti infiammabili o a basso punto di infiammabilità per evitare il rischio di incendio o esplosione.

- Se necessario, sostituire l'anello di tenuta in gomma con uno nuovo.
- Reinstallare l'anello di tenuta in gomma e la coppa dei sedimenti e fissarli in posizione.
- Portare la valvola del carburante in posizione "ON" e controllare eventuali perdite di carburante.

FILTRO DEL CARBURANTE

Il serbatoio del carburante può essere dotato di un filtro, a seconda del modello di motozappa, situato in corrispondenza del tappo del serbatoio. Il filtro del carburante può essere estratto e deve essere controllato periodicamente. Se il filtro è sporco, pu-

lirlo e sostituirlo con uno nuovo quando necessario. Nel caso in cui l'interno del serbatoio del carburante sia sporco, può essere pulito risciacquando il serbatoio del carburante con benzina pulita.

PULIZIA

Utilizzare una piccola spazzola morbida per pulire l'esterno dell'unità. Non utilizzare detergenti forti. I detergenti per la casa che contengono oli aromatici come pino e limone e solventi come il cherosene possono danneggiare l'alloggiamento o il manico in plastica. Eliminare l'umidità con un panno morbido.

DEPOSITO

AVVERTIMENTO

Non riporre mai l'unità con il carburante nel serbatoio e lasciare sempre che l'unità si raffreddi prima di riporla. Conservare l'unità solo in aree asciutte e ben ventilate.

Nel caso in cui l'unità venga immagazzinata per un periodo prolungato, utilizzare la seguente procedura di conservazione:

1. Scaricare tutto il carburante dal serbatoio.
2. Far girare il motore finché non si ferma per mancanza di carburante.
3. Sostituire l'olio motore con uno nuovo.
4. Rimuovere la candela e versare 30 ml di olio motore di alta qualità nel cilindro. Tirare lentamente la fune di avviamento per distribuire l'olio e quindi reinstallare la candela.
5. Pulire accuratamente l'unità e ispezionare eventuali parti allentate o danneggiate. Riparare o sostituire le parti danneggiate e serrare viti, dadi o bulloni allentati.
6. Lubrificare tutte le parti necessarie con un panno umido d'olio per evitare l'accumulo di ruggine.

PROTEZIONE AMBIENTALE

Riciclare le materie prime invece di smaltire come rifiuti. La macchina, gli accessori e l'imballaggio devono essere selezionati per un riciclaggio rispettoso dell'ambiente. I componenti in plastica sono etichettati per il riciclaggio classificato.

Smaltire l'olio motore usato ei contenitori in modo compatibile con l'ambiente. Ti consigliamo di portarlo in un contenitore sigillato al centro di riciclaggio locale o alla stazione di servizio per il recupero. Non gettarlo nella spazzatura, non versarlo a terra o versarlo in uno scarico.

GARANZIA

Questo prodotto è garantito in conformità con le normative legali / specifiche del paese, in vigore dalla data di acquisto da parte del primo utente. I danni attribuibili a normale usura, sovraccarico o manipolazione impropria saranno esclusi dalla garanzia. In caso di reclamo, inviare la macchina, completamente assemblata, al proprio rivenditore o al centro di assistenza ufficiale.

ΕΛΛΗΝΙΚΑ

ΓΕΝΙΚΕΣ ΠΡΟΕΙΔΟΠΟΙΗΣΕΙΣ ΑΣΦΑΛΕΙΑ

Διαβάστε και κατανοήστε αυτό το εγχειρίδιο κατόχου προτού θέσετε σε λειτουργία το παρόν μηχάνημα. Μπορείτε να αποφύγετε ατυχήματα αν είστε εξοικειωμένοι με τα χειριστήρια του προϊόντος και τηρώντας τις ασφαλείς διαδικασίες λειτουργίας και τα σήματα ασφαλείας. Χρησιμοποιείτε πάντα κοινή λογική σκέψη ώστε να αποφύγετε να βρεθείτε σε κατάσταση πέρα των δυνατοτήτων σας. Μη χρησιμοποιείτε το προϊόν όταν είστε κουρασμένοι ή υπό την επήρεια ναρκωτικών, αλκοόλ ή άλλων φαρμακευτικών σκευασμάτων. Κρατείστε παρειασκόμους και ζώα που θα μπορούσαν να τραυματιστούν, όπως και αντικείμενα που στα οποία θα μπορούσε να προκληθεί βλάβη, μακριά κατά τη λειτουργία του μηχανήματος. Μην επιτρέπετε σε παιδιά ή όσους δεν είναι εξοικειωμένοι με τις οδηγίες χρήσης να χρησιμοποιήσουν το μηχάνημα. Η τοπική νομοθεσία είναι πιθανόν να ορίζει κατώτατη ηλικία χρήστη. Πάντα να θυμάστε πως ο χειριστής ή χρήστης είναι υπεύθυνος για ατυχήματα ή απρόσμενα γεγονότα που τυχόν προκληθούν σε άλλους ανθρώπους, ζώα ή την περιουσία τους. Μην εκθέτετε το προϊόν σε υπερβολική υγρασία, σκόνη, βρωμιά ή διαβρωτικούς ατμούς. Μην προσαρμόζετε στο μηχάνημα κατά τη διάρκεια της εργασίας, απενεργοποιήστε αμέσως το μηχάνημα και μετακινήστε το για να αποφύγετε περαιτέρω ζημιές. Σε περίπτωση που ένα ξένο σώμα εισέλθει στο μηχάνημα, σταματήστε το αμέσως, επιθεωρήστε το για τυχόν ζημιές και πραγματοποιήστε επισκευές προτού το ξαναχρησιμοποιήσετε.

ΠΡΟΣΤΑΤΕΥΤΙΚΟΣ ΕΞΟΠΛΙΣΜΟΣ

Να χρησιμοποιείτε πάντα σχετικό και εγκεκριμένο προστατευτικό εξοπλισμό όταν χρησιμοποιείτε το μηχάνημα. Να φοράτε πάντα ρουχισμό που δεν περιορίζει τις κινήσεις σας, προστατευτικά γάντια, γυαλιά, μάσκα αναπνοής, προστατευτικό εξοπλισμό ακοής και μπότες προστασίας με σόλες υψηλής πρόσφυσης. Να μην φοράτε κασκόλ, κολλί ή οπουδήποτε αξεσουάρ που κρέμεται ή περιστρέφει και θα μπορούσε να παγιδευτεί στο μηχάνημα. Μαζέψτε τα μαλλιά σας αν είναι μακριά.

ΚΙΝΔΥΝΟΙ ΔΗΛΗΤΗΡΙΑΣΗΣ

Λειτουργείτε μόνο σε εξωτερικούς και καλά αεριζόμενους χώρους. Όταν λειτουργεί ο κινητήρας, παράγει δηλητηριώδες μονοξείδιο του άνθρακα,

ένα άσμο και άχρωμο αέριο. Η εισπνοή μονοξειδίου του άνθρακα θα προκαλέσει ναυτία, λιποθυμία ή θάνατο. Μην λειτουργείτε το μηχανήμα σε περιορισμένο χώρο όπου μπορεί να αναπτυχθούν επικίνδυνοι καπνοί μονοξειδίου του άνθρακα ή κοντά σε ανοιχτά παράθυρα.

Το καύσιμο και το λάδι είναι εξαιρετικά τοξικά. Μην εισπνέετε τις αναθυμιάσεις εξάτμισης του καυσίμου και να φοράτε πάντα κατάλληλο προστατευτικό εξοπλισμό όταν χειρίζεστε. Να αποθηκεύετε πάντα καύσιμο και λάδι σε εγκεκριμένα δοχεία και να απορρίπτετε υπεύθυνα.

ΚΙΝΔΥΝΟΙ ΠΡΟΚΛΗΣΗΣ ΠΥΡΚΑΓΙΑΣ ΚΑΙ ΕΓΚΑΥΜΑΤΟΣ

Το καύσιμο και το λάδι είναι εύφλεκτα. Ακολουθήστε τις οδηγίες που παρέχονται από κάθε κατασκευαστή πριν από τη χρήση. Διατηρείτε πάντα μακριά πιθανές πηγές φωτιάς ή σπινθήρες. Μην καπνίζετε κοντά στο μηχανήμα ή κοντά σε καύσιμο και λάδι. Να ανεφοδιάζετε μόνο σε εξωτερικούς, καλά αεριζόμενους χώρους, με τον κινητήρα σβηστό. Ανοίξτε αργά το ρεζερβουάρ καυσίμου για να επιτρέψετε στην πίεση στο εσωτερικό να μειωθεί σταδιακά. Μην γεμίζετε υπερβολικά το ρεζερβουάρ καυσίμου. Βεβαιωθείτε ότι υπάρχει κάποια απόσταση μεταξύ οποιουδήποτε δοχείου αναπλήρωσης καυσίμου και της μονάδας, για να αποφύγετε περιττούς κινδύνους. Βεβαιωθείτε ότι έχετε καθαρίσει τυχόν χυμένο καύσιμο και λάδι πριν ξεκινήσετε τον κινητήρα.

Ορισμένα μέρη του μηχανήματος θερμαίνονται αρκετά ώστε να αναφλέξουν εύφλεκτα υλικά. Μην το χρησιμοποιείτε σε περιοχές με υψηλό κίνδυνο πυρκαγιάς. Μην κατευθύνετε την έξοδο της εξάτμισης και, ως εκ τούτου, τα καυσαέρια προς εύφλεκτα υλικά.

Σε περίπτωση πυρκαγιάς, χρησιμοποιήστε έναν κατάλληλο πυροσβεστήρα ειδικά σχεδιασμένο για φωτιά λαδιού και καυσίμου.

Ορισμένα μέρη του μηχανήματος ζεσταίνονται αρκετά ώστε να προκαλέσουν εγκαύματα. Προσέξτε να μην τα αγγίζετε για να αποφύγετε να καείτε. Αφήστε το μηχανήμα να κρυώσει πριν το αποθηκεύσετε.

ΠΡΟΕΙΔΟΠΟΙΗΣΕΙΣ ΑΣΦΑΛΕΙΑΣ ΚΑΤΗΓΟΡΙΑΣ

ΑΣΦΑΛΗΣ ΛΕΙΤΟΥΡΓΙΑ

Όλοι οι μοχλοί λειτουργίας του μηχανήματος πρέπει να μετακινούνται εύκολα από τη μια θέση στην άλλη και να μην χρειάζονται πίεση. Τα ηλεκτρικά καλώδια και το καλώδιο του μπουζι πρέπει να είναι σε άριστη κατάσταση για να αποφευχθεί η δημιουργία σπινθήρων. Το καπάκι του μπουζι πρέπει να τοποθετηθεί σωστά στο μπουζι. Οι χειρολαβές και οι προστατευτικές συσκευές πρέπει να είναι καθαρές και στεγνές καθώς και καλά στερεωμένες στο μηχανήμα.

Πάντα να ελέγχετε για αντικείμενα που ενδέχεται να μπλοκάρουν την εισαγωγή αέρα πριν αρχίσετε να εργάζεστε. Μια φραγμένη εισαγωγή αέρα μειώνει την απόδοση του μηχανήματος και αυξάνει τη θερμοκρασία λειτουργίας του κινη-

τήρα, η οποία μπορεί να οδηγήσει σε βλάβη του κινητήρα.

Βεβαιωθείτε ότι έχετε σταματήσει το μηχανήμα:

- ▶ Όταν προσαρμόζετε ή αφαιρείτε αξεσουάρ.
- ▶ Όποτε αφήνετε το μηχανήμα χωρίς επίβλεψη.
- ▶ Κατά τον ανεφοδιασμό.
- ▶ Κατά τον καθαρισμό ή τη συντήρηση.
- ▶ Όταν μετακινείτε μεταξύ θέσεων εργασίας.
- ▶ Κατά την μεταφορά.
- ▶ Πριν την αποθήκευση.

ΚΙΝΔΥΝΟΙ ΗΛΕΚΤΡΙΣΜΟΥ

Βεβαιωθείτε ότι οι ηλεκτρικές πρίζες του μηχανήματος και τα καλώδια και τα βύσματα που είναι συνδεδεμένα σε αυτό είναι σε καλή κατάσταση και δεν έχουν φθαρεί. Ποτέ μη χρησιμοποιείτε κατεστραμμένο μηχανήμα ή μηχανήμα με κατεστραμμένα ή φθαρμένα ηλεκτρικά καλώδια και βύσματα. Μην εκθέτετε το μηχανήμα και τα ηλεκτρικά καλώδια σε υγρές συνθήκες και μην αγγίζετε ποτέ όταν είναι υγρά. Χρησιμοποιήστε την επαφή γείωσης. Μην έρθετε σε επαφή με γειωμένες επιφάνειες ή ηλεκτρικά καλώδια, για να αποφύγετε τον κίνδυνο ηλεκτροπληξίας. Μην χρησιμοποιείτε το καλώδιο για να τραβήξετε το φις από την πρίζα. Απομακρύνετε πάντα το καλώδιο τροφοδοσίας από το πίσω μέρος του μηχανήματος και προστατέψτε το από θερμότητα, λάδια και αιχμηρά αντικείμενα. Όταν το μηχανήμα πρόκειται να χρησιμοποιηθεί σε εξωτερικό χώρο, χρησιμοποιήστε μόνο καλώδια επέκτασης που προορίζονται για εξωτερική χρήση. Η διάτομή οποιουδήποτε καλωδίου επέκτασης πρέπει να είναι τουλάχιστον 1,5 mm² και η σύνδεση του δικτύου πρέπει να προστατεύεται με κατάλληλη ασφάλεια.

ΚΙΝΔΥΝΟΙ ΠΕΡΙΣΤΡΕΦΟΜΕΝΩΝ ΜΕΡΩΝ

Τα περιστρεφόμενα μέρη μπορεί να προκαλέσουν σοβαρό τραυματισμό. Αποφύγετε να έρθετε σε επαφή με τα περιστρεφόμενα μέρη όταν βρίσκονται ακόμη σε περιστροφή.

ΚΙΝΔΥΝΟΙ ΘΟΡΥΒΟΥ ΚΑΙ ΔΟΝΗΣΕΩΝ

Τα επίπεδα θορύβου και δονήσεων που αναφέρονται στις οδηγίες χρήσης είναι τα μέγιστα για τη χρήση του μηχανήματος. Μη επαρκής συντήρηση έχει σημαντικό αντίκτυπο στις εκπεμπόμενες δονήσεις και στο θόρυβο. Επομένως, είναι απαραίτητο να λαμβάνετε προληπτικά μέτρα για να εξαλείψετε πιθανό κίνδυνο λόγω υψηλού επιπέδου δονήσεων ή θορύβου. Να διατηρείται το μηχανήμα σε καλή κατάσταση, να φοράτε προστασία ακοής, γάντια προστασίας από τις δονήσεις και να κάνετε διαλείμματα κατά την εργασία. Κατά τη διάρκεια μιας μέρας εργασίας, θα πρέπει να κάνετε συχνά και επαρκή διαλείμματα για να αποφύγετε τυχόν ζημιά λόγω δονήσεων και βλάβη ακοής.

ΚΙΝΔΥΝΟΙ ΣΧΕΤΙΚΟΙ ΜΕ ΤΗΝ ΠΕΡΙΟΧΗ ΕΡΓΑΣΙΑΣ

Επιθεωρήστε σχολαστικά ολόκληρη την περιοχή εργασίας και αφαιρέστε οτιδήποτε μπορεί να είναι επικίνδυνη πηγή ή να προκαλέσει ζημιά στο

μηχάνημα. Βεβαιωθείτε ότι δεν υπάρχουν περαστικοί, ζώα ή αντικείμενα που θα μπορούσαν να καταστραφούν εντός του εύρους δράσης του μηχανήματος.

Εργαστείτε μόνο κατά τη διάρκεια της ημέρας ή με καλό τεχνητό φως σε καλές συνθήκες ορατότητας. Προσπαθήστε να μην προκαλέσετε αναταραχή λόγω θορύβου, χρησιμοποιώντας το μηχάνημα μόνο σε λογικές ώρες της ημέρας.

Διατηρείτε γερή και καλή ισορροπία θέση εργασίας. Όπου είναι δυνατόν, αποφύγετε να εργάζεστε σε υγρό, ολισθηρό έδαφος ή σε κάθε περίπτωση σε ανώμαλο ή απότομο έδαφος που δεν εγγυάται σταθερότητα για τον χειριστή.

Λειτουργήστε το μηχάνημα σε ελεύθερο χώρο, μακριά από γύρω αντικείμενα ή τοίχους για να εγγυηθείτε την ασφαλή λειτουργία και την κυκλοφορία καθαρού αέρα για την εισαγωγή.

ΕΝΑΠΟΜΕΙΝΑΝΤΕΣ ΚΙΝΔΥΝΟΙ

Το μηχάνημα κατασκευάστηκε χρησιμοποιώντας σύγχρονη τεχνολογία και σύμφωνα με αναγνωρισμένους κανόνες ασφαλείας. Ακόμη και όταν εφαρμόζονται όλα τα μέτρα ασφαλείας, ενδέχεται να υπάρχουν ορισμένοι εναπομείναντες κίνδυνοι, οι οποίοι δεν είναι ακόμη εμφανείς. Ο χειριστής πρέπει να χρησιμοποιεί την κοινή λογική και να λαμβάνει τις απαραίτητες προφυλάξεις για να αποφύγει τον κίνδυνο λόγω τυχόν εναπομεινάντων κινδύνων.

ΠΡΟΔΙΑΓΡΑΦΕΣ ΠΡΟΪΟΝΤΟΣ

ΠΡΟΒΛΕΠΟΜΕΝΗ ΧΡΗΣΗ

Αυτό το μηχάνημα έχει σχεδιαστεί και κατασκευαστεί για να παρέχει ηλεκτρική ενέργεια σε περιοχές όπου η ηλεκτρική ενέργεια δεν είναι διαθέσιμη ή δεν είναι αξιόπιστη.

Κάθε διαφορετική χρήση από την παραπάνω αναφερόμενες θα μπορούσε να είναι επικίνδυνη, να προκαλέσει βλάβη σε ανθρώπους ή/και ζημιά σε υλικά και το μηχάνημα.

ΜΗ ΠΡΟΒΛΕΠΟΜΕΝΗ ΧΡΗΣΗ

Το μηχάνημα δεν πρέπει να χρησιμοποιείται για την τροφοδοσία άλλων συσκευών από αυτές που προορίζονται σύμφωνα με τις προδιαγραφές του.

Αλλά παραδείγματα μη προβλεπόμενης χρήσης μπορεί να περιλαμβάνουν, αλλά δεν περιορίζονται στη χρήση του μηχανήματος:

- ▶ Χωρίς γνήσια εξαρτήματα που παρέχονται από τον κατασκευαστή.
 - ▶ Με γνήσια εξαρτήματα αλλά με τρόπο που δεν είναι σύμφωνος με τις οδηγίες.
 - ▶ Χωρίς γνήσια ανταλλακτικά.
 - ▶ Με μη εξουσιοδοτημένες τροποποιήσεις.
- Σύμφωνα με τους ισχύοντες νόμους περί ευθύνης προϊόντος, ο κατασκευαστής της συσκευής δεν αναλαμβάνει ευθύνη για ζημιές στο προϊόν ή ζημιές που προκλήθηκαν από το προϊόν που οφείλονται σε:
- ▶ Λανθασμένο χειρισμό ή σύμφωνα με τις οδηγίες χρήσης.
 - ▶ Επισκευές από τρίτους και όχι από εξουσιοδο-

τημένους τεχνικούς σέρβις.

- ▶ Εγκατάσταση μη γνήσιων ανταλλακτικών.
- ▶ Μη προβλεπόμενη χρήση.
- ▶ Βλάβη ηλεκτρικού συστήματος λόγω λειτουργίας του μηχανήματος κατά τρόπο που δεν συμμορφώνεται με τους ηλεκτρικούς κανονισμούς VDE και DIN.

ΤΕΧΝΙΚΑ ΧΑΡΑΚΤΗΡΙΣΤΙΚΑ ΣΕΛΙΔΑ 66

ΤΑΥΤΟΠΟΙΗΣΗ ΜΕΡΩΝ

1. Έξοδος AC
2. Σημείο σύνδεσης γείωσης
3. Μπαταρία
4. Τάπα λαδιού
5. Κεντρικός διακόπτης
6. Σχοινί εκκίνησης
7. Διακόπτης καυσίμου
8. Φίλτρο αέρα
9. Μοχλός τσοκ
10. Ντεπόζιτο καυσίμου
11. Τάπα ντεπόζιτου καυσίμου
12. Βολτόμετρο
13. Θερμικό προστασίας AC

ΛΕΙΤΟΥΡΓΙΑ

ΠΡΟΕΤΟΙΜΑΖΟΝΤΑΣ ΤΟ ΜΗΧΑΝΗΜΑ

Η αποσυναρμολόγηση και η συναρμολόγηση πρέπει να γίνονται σε επίπεδη και σταθερή επιφάνεια, με επαρκή χώρο για τη μετακίνηση του μηχανήματος και της συσκευασίας του και με τη χρήση κατάλληλου εξοπλισμού. Η συναρμολόγηση θα πρέπει να γίνεται από εκπαιδευμένο προσωπικό στον κοντινότερο σε εσάς αντιπρόσωπο, όπου απαιτείται.

Πλήρωση καυσίμου και λιπαντικού

ΠΡΟΕΙΔΟΠΟΙΗΣΗ

Το μηχάνημα παραδίδεται χωρίς λάδι και καύσιμο. Το παρόν προϊόν είναι εξοπλισμένο με 4-χρονο κινητήρα που σημαίνει πως πρέπει να χρησιμοποιηθεί βενζίνη στο δοχείο καυσίμου και πως ο κινητήρας πρέπει να γεμίσει με λάδι.

Προδιαγραφές καυσίμου: Αμόλυβδη βενζίνη 90 και πλέον οκτανίων

Χωρητικότητα δοχείου καυσίμου: Όπως αναφέρεται στο "ΠΙΝΑΚΑΣ ΤΕΧΝΙΚΩΝ ΧΑΡΑΚΤΗΡΙΣΤΙΚΩΝ"

Για να γεμίσετε τον κινητήρα με καύσιμο (Εικ. 2):

1. Αφαιρέστε την τάπα του δοχείου καυσίμου.
2. Προσθέστε καύσιμο μέχρι το άνω επίπεδο του ρεζερβουάρ καυσίμου. Αφήστε τουλάχιστον 5mm χώρο μεταξύ της κορυφής του καυσίμου και του εσωτερικού άκρου του ρεζερβουάρ για να επιτρέψετε τυχόν διαστολή. Το μισό μήκος του φίλτρου της τάπας καυσίμου μπορεί επίσης να λειτουργήσει ως ένδειξη ανώτατης στάθμης καυσίμου, όπου υπάρχει.
3. Τοποθετήστε την τάπα του δοχείου καυσίμου πίσω στη θέση της και σφίξτε επαρκώς.

ΠΡΟΕΙΔΟΠΟΙΗΣΗ

Να χρησιμοποιείτε πάντοτε καθαρό δοχείο για την αποθήκευση επιπλέον καυσίμου και να μη χρησιμοποιείτε καύσιμο που έχει αποθηκευτεί για περισσότερο του ενός μηνός.

Προδιαγραφές λαδιού: Για γενική χρήση (5°C - 38°C) συνίσταται να χρησιμοποιείτε λάδι SAE 15W-40 (Εικ. 3).

Χωρητικότητα κινητήρα σε λάδι: Όπως αναφέρεται στο "ΠΙΝΑΚΑΣ ΤΕΧΝΙΚΩΝ ΧΑΡΑΚΤΗΡΙΣΤΙΚΩΝ"

Για να γεμίσετε τον κινητήρα με λάδι:

1. Αφαιρέστε την τάπα πλήρωσης λαδιού (Εικ. 4.1) από το λαϊού πλήρωσης λαδιού κινητήρα (Εικ. 4.2). Το κάτω μέρος της είναι ο δείκτης στάθμης λαδιού.
2. Προσθέστε σταδιακά αρκετό λάδι για να φέρετε τη στάθμη λαδιού στο κείλος του λαϊού πλήρωσης λαδιού, μέχρι το ανώτερο επίπεδο (Εικ. 4.3) και όχι χαμηλότερα από το χαμηλότερο επίπεδο (Εικ. 4.4).
3. Επανατοποθετήστε την τάπα πλήρωσης λαδιού και σφίξτε κατάλληλα.

ΠΡΟΕΙΔΟΠΟΙΗΣΗ

Να χρησιμοποιείτε χωνί για να αποφύγετε να κυθεί το καύσιμο ή το λάδι. Σκουπίστε τυχόν χυμένα καύσιμα και λάδια πριν ξεκινήσετε τον κινητήρα.

Για τη σύνδεση της μπαταρίας, ισχύει μόνο για μοντέλα με ηλεκτρική εκκίνηση:

1. Ανοίξτε το πλαίσιο της μπαταρίας.
2. Αφαιρέστε την μπαταρία από τη θέση της.
3. Συνδέστε το θετικό (κόκκινο) καλώδιο στον θετικό πόλο της μπαταρίας.
4. Συνδέστε το θετικό (μαύρο) αρνητικό στον αρνητικό πόλο της μπαταρίας.
5. Επανατοποθετήστε την μπαταρία και το πάνελ της.

ΕΚΚΙΝΩΝΤΑΣ ΤΟ ΜΗΧΑΝΗΜΑ

Προτού εκκινήσετε το μηχάνημα:

- ▶ Βεβαιωθείτε ότι τόσο το μηχάνημα όσο και εσείς είστε σε σταθερό έδαφος.
- ▶ Ελέγξτε πως όλα τα στοιχεία σύσφιξης είναι ασφαλισμένα στις θέσεις τους.
- ▶ Αποσυνδέστε όλα τα ηλεκτρικά φορτία από τη γεννήτρια. Ποτέ μην ξεκινάτε ή σταματάτε τη γεννήτρια με ηλεκτρικές συσκευές συνδεδεμένες ή ενεργοποιημένες.
- ▶ Ελέγξτε πως το φίλτρο αέρα είναι καθαρό και πως η εισαγωγή αέρα και η εξάτμιση δεν είναι κλειστές από τυχόν ξένα σώματα.
- ▶ Γεμίστε με την απαιτούμενη ποσότητα λαδιού και καυσίμου.

Για να ξεκινήσετε το μηχάνημα:

1. Αποσυνδέστε όλα τα ηλεκτρικά φορτία από τη γεννήτρια. Ποτέ μην ξεκινάτε ή σταματάτε τη γεννήτρια με ηλεκτρικές συσκευές συνδεδεμένες ή ενεργοποιημένες.
2. Μετακινήστε το μοχλό του τσοκ (Εικ. 5) στη θέση «CHOKE».

ΣΗΜΕΙΩΣΗ

Αυτό το βήμα ισχύει μόνο για κρύα εκκίνηση του κινητήρα. Όταν ο κινητήρας είναι ήδη ζεστός ή η θερμοκρασία περιβάλλοντος είναι υψηλή, ο μοχλός τσοκ πρέπει να βρίσκεται πάντα στη θέση "OFF".

3. Πιάστε σταθερά τη λαβή του μηχανήματος με το αριστερό σας χέρι και τη χειρόμιζα του κινητήρα (Εικ. 6.2) με το δεξί σας χέρι. Τραβήξτε τη χειρόμιζα έως ότου αισθανθείτε αντίσταση για να φέρετε τον κινητήρα σε συμπίεση και

μετά τραβήξτε δυναμικά για να εκκινήσετε τον κινητήρα.

ΠΡΟΕΙΔΟΠΟΙΗΣΗ

Για να μην σπάσετε το σχοινί της μίζας (Εικ. 6.1), μην χρησιμοποιείτε ολόκληρο το μήκος του ή το αφήνετε να γλιστρήσει κατά μήκος της άκρης της οπής οδηγού του. Απελευθερώστε σταδιακά τη χειρόμιζα, για να αποφύγετε να επιστρέψει στην θέση του ανεξέλεγκτα.

ΣΗΜΕΙΩΣΗ

Για μηχανήματα με ηλεκτρική ανάφλεξη, μπορείτε να χρησιμοποιήσετε τον διακόπτη ανάφλεξης, πιέζοντάς τον για λίγο μέχρι να ξεκινήσει ο κινητήρας.

4. Καθώς ο κινητήρας ζεσταίνεται, μετακινήστε το μοχλό του τσοκ στη θέση "RUN", εάν πραγματοποιήσατε κρύα εκκίνηση.

ΣΗΜΕΙΩΣΗ

Για μέγιστη απόδοση και αξιοπιστία, αφήστε τον κινητήρα να ζεσταθεί πριν από τη λειτουργία. Λειτουργήστε τον κινητήρα για δύο έως τρία λεπτά με ταχύτητα ρελαντί.

ΚΕΝΤΡΙΚΟΣ ΔΙΑΚΟΠΤΗΣ

- ▶ OFF: Το κύκλωμα ανάφλεξης είναι απενεργοποιημένο. Ο κινητήρας δεν θα λειτουργήσει.
- ▶ ON: Το κύκλωμα ανάφλεξης είναι ενεργοποιημένο. Ο κινητήρας μπορεί να λειτουργήσει.

Αισθητήρας χαμηλής στάθμης λαδιού

Όταν η στάθμη λαδιού πέσει κάτω από την κατώτερη στάθμη, ενεργοποιείται ο αισθητήρας χαμηλού λαδιού και στη συνέχεια ο κινητήρας σταματά αυτόματα. Αν δεν ξαναγεμίσετε με λάδι, ο κινητήρας δεν θα ξεκινήσει ξανά.

ΘΕΡΜΙΚΟ ΠΡΟΣΤΑΣΙΑΣ

Η θερμική προστασία ενεργοποιείται όταν ανιχνευτεί υπερφόρτωση μιας συνδεδεμένης ηλεκτρικής συσκευής, διακοπή της παραγωγής ενέργειας για την προστασία της γεννήτριας και τυχόν συνδεδεμένων ηλεκτρικών συσκευών. Όταν ενεργοποιηθεί η θερμική προστασία και σταματήσει η παραγωγή ρεύματος, προχωρήστε ως εξής:

1. Απενεργοποιήστε τυχόν συνδεδεμένες ηλεκτρικές συσκευές και σταματήστε τον κινητήρα.
2. Μειώστε τη συνολική ισχύ των συνδεδεμένων ηλεκτρικών συσκευών εντός της ονομαστικής ισχύος.
3. Ελέγξτε για φραγμούς στην είσοδο αέρα ψύξης και γύρω από τη μονάδα ελέγχου. Εάν εντοπιστούν τυχόν μπλοκαρίσματα, αφαιρέστε τα.
4. Ενεργοποιήστε το προστατευτικό πιέζοντάς το ξανά στη θέση του.
5. Μετά τον έλεγχο, επανεκκινήστε τον κινητήρα.

ΠΡΟΕΙΔΟΠΟΙΗΣΗ

Εάν η θερμική προστασία ενεργοποιηθεί ξανά, σταματήστε να χρησιμοποιείτε τη συσκευή αμέσως και συμβουλευτείτε τον εξουσιοδοτημένο αντιπρόσωπο της εταιρείας μας.

ΣΗΜΕΙΟ ΣΥΝΔΕΣΗΣ ΓΕΙΩΣΗΣ

Ο ακροδέκτης γείωσης συνδέει τη γραμμή γεί-

ωσης για αποφυγή ηλεκτροπληξίας. Όταν η ηλεκτρική συσκευή είναι γειωμένη, η γεννήτρια πρέπει πάντα να είναι γειωμένη. Προκειμένου να αποφευχθεί η ηλεκτροπληξία λόγω κακής ποιότητας ηλεκτρικών συσκευών ή λανθασμένης χρήσης ηλεκτρικής ενέργειας, η γεννήτρια πρέπει να είναι γειωμένη με καλής ποιότητας μονωμένο αγωγό.

ΣΤΑΜΑΤΩΝΤΑΣ ΤΟ ΜΗΧΑΝΗΜΑ

Για να σταματήσετε το μηχανήμα:

1. Απενεργοποιήστε και αποσυνδέστε όλα τα ηλεκτρικά φορτία.

ΠΡΟΕΙΔΟΠΟΙΗΣΗ

Ποτέ μην ξεκινάτε ή σταματάτε τη γεννήτρια με ηλεκτρικές συσκευές συνδεδεμένες ή ενεργοποιημένες.

2. Αφήστε τη γεννήτρια να λειτουργήσει χωρίς φορτίο για αρκετά λεπτά, για να σταθεροποιηθούν οι εσωτερικές θερμοκρασίες του κινητήρα και της γεννήτριας.
3. Γυρίστε τον κεντρικό διακόπτη στη θέση «OFF». Το κύκλωμα ανάφλεξης είναι ενεργοποιημένο.
4. Κλείστε το διακόπτη καυσίμου.

ΣΥΝΤΗΡΗΣΗ ΚΑΙ ΚΑΘΑΡΙΣΜΟΣ

ΠΡΟΕΙΔΟΠΟΙΗΣΗ

Μην κάνετε ποτέ συντήρηση ή καθαρισμό με το μηχανήμα σε λειτουργία. Να εργάζεστε πάντα σε κρύο μηχανήμα. Πριν καθαρίσετε ή εκτελέσετε εργασίες συντήρησης, αποσυνδέστε το μπουζί και διαβάστε τις σχετικές οδηγίες. Φοράτε κατάλληλα ρούχα και προστατευτικά γάντια όποτε κινδυνεύουν τα χέρια σας.

Τυχόν προσαρμογές ή εργασίες συντήρησης που δεν περιγράφονται σε αυτό το εγχειρίδιο πρέπει να εκτελούνται από τον αντιπρόσωπό σας ή ένα εξειδικευμένο κέντρο σέρβις με τις απαραίτητες γνώσεις και εξοπλισμό για να διασφαλιστεί ότι η εργασία γίνεται σωστά διατηρώντας το αρχικό επίπεδο ασφάλειας του μηχανήματος. Τυχόν εργασίες που εκτελούνται σε μη εξουσιοδοτημένα κέντρα ή από μη εξουσιοδοτημένα άτομα θα ακυρώσουν πλήρως την εγγύηση και όλες τις υποχρεώσεις και ευθύνες του κατασκευαστή. Διατηρείτε όλα τα παζιμάδια και τις βίδες σφικτά για να βεβαιωθείτε ότι το μηχανήμα είναι πάντα σε ασφαλή κατάσταση λειτουργίας. Η τακτική συντήρηση είναι απαραίτητη για την ασφάλεια και για τη διατήρηση υψηλού επιπέδου απόδοσεων.

ΠΡΟΕΙΔΟΠΟΙΗΣΗ

Μη χρησιμοποιείτε ποτέ το μηχανήμα με φθαρμένα ή κατεστραμμένα μέρη. Τα ελαττωματικά ή φθαρμένα εξαρτήματα πρέπει πάντα να αντικαθίστανται και να μην επισκευάζονται. Χρησιμοποιείτε μόνο γνήσια ανταλλακτικά.

ΠΡΟΓΡΑΜΜΑ ΣΥΝΤΗΡΗΣΗΣ

Συχνότητα		Πριν από κάθε χρήση	Μετά τον 1ο μήνα ή τις πρώτες 20 ώρες χρήσης	Κάθε 3 μήνες ή 50 ώρες χρήσης	Κάθε 12 μήνες ή 100 ώρες χρήσης	Κάθε 24 μήνες ή 250 ώρες χρήσης
Μηχάνημα	Ελέγξτε οπτικά	✓				
Χειριστήρια	Ελέγξτε λειτουργία	✓				
Σπιθηριστής (αν διατίθεται)	Καθαρίστε			✓*		
Λάδι κινητήρα	Ελέγξτε-Συμπληρώστε	✓				
	Αντικαταστήστε		✓	✓		
Φίλτρο αέρα	Ελέγξτε	✓				
	Καθαρίστε		✓			
	Αντικαταστήστε			✓		
Μπουζί	Ελέγξτε-Προσαρμόστε		✓		✓*	
Σωλήνες και φίλτρο καυσίμου	Ελέγξτε-Καθαρίστε **				✓*	
Ντεπόζιτο καυσίμου	Ελέγξτε-Καθαρίστε **					✓*
Καπάκι ιζημάτων (αν διατίθεται)	Καθαρίστε		✓	✓		
Διάκενο βαλβίδων	Ελέγξτε-Προσαρμόστε **				✓	
Θάλαμος καύσης	Ελέγξτε-Καθαρίστε **					✓*

* Αυτά τα αντικείμενα πρέπει να αντικαθίστανται αν απαιτείται.

**Αυτές οι εργασίες πρέπει γίνονται μόνο από εξουσιοδοτημένους αντιπροσώπους που έχουν τα κατάλληλα εργαλεία και επάρκεια γνώσεων.

ΛΑΔΙ ΚΙΝΗΤΗΡΑ ΠΡΟΕΙΔΟΠΟΙΗΣΗ

Ο έλεγχος της στάθμης και η αλλαγή λαδιού πρέπει να γίνονται σε στερεά και επίπεδη επιφάνεια. Ο κινητήρας πρέπει να είναι πάντα σταματημένος. Εάν ο κινητήρας ήταν σε λειτουργία, θα είναι ζεστός και η διαδικασία πρέπει να γίνεται με προσοχή για να αποφευχθεί ο κίνδυνος εγκαύματος.

ΣΗΜΕΙΩΣΗ

Αποστραγγίστε το χρησιμοποιημένο λάδι ενώ ο κινητήρας είναι ζεστός. Το ζεστό λάδι αποστραγγίζεται γρήγορα και πλήρως.

Για να ελέγξετε τη στάθμη λαδιού:

1. Αφαιρέστε την τάπα λαδιού (Εικ. 7.6) από το λαϊμό πλήρωσης λαδιού του κινητήρα (Εικ. 7.1)
2. Ελέγξτε τη στάθμη λαδιού. Η στάθμη λαδιού πρέπει να φτάνει στο χείλος (Εικ. 7.7) του λαϊμού πλήρωσης λαδιού. Εάν απαιτείται, προσθέστε αρκετό λάδι για να φέρετε τη στάθμη λαδιού στο χείλος του λαϊμού πλήρωσης λαδιού, μέχρι το ανώτερο επίπεδο και όχι χαμηλότερα από το χαμηλότερο επίπεδο.
3. Τοποθετήστε την τάπα λαδιού στη θέση του και σφίξτε επαρκώς.

Για να αλλάξετε το λάδι:

1. Αφαιρέστε την τάπα λαδιού από το λαϊμό πλήρωσης λαδιού του κινητήρα.
2. Τοποθετήστε κατάλληλο δοχείο (Εικ. 7.3) κάτω από την τάπα εξαγωγής λαδιού (Εικ. 7.2) για να συλλέξετε το μεταχειρισμένο λάδι.
3. Αφαιρέστε την τάπα εξαγωγής λαδιού (Εικ. 7.4) και τη ροδέλα (Εικ. 7.5) και επιτρέψτε στο λάδι να στραγγίξει πλήρως.
4. Τοποθετήστε την τάπα εξαγωγής λαδιού και τη ροδέλα στη θέση τους και σφίξτε επαρκώς.
5. Προσθέστε σταδιακά αρκετό λάδι για να φέρετε τη στάθμη λαδιού στο χείλος του λαϊμού πλήρωσης λαδιού, μέχρι το ανώτερο επίπεδο και όχι χαμηλότερα από το χαμηλότερο επίπεδο.
6. Επανατοποθετήστε την τάπα πλήρωσης λαδιού και σφίξτε κατάλληλα.

ΣΗΜΕΙΩΣΗ

Εάν ο κινητήρας λειτουργεί συχνά υπό συνθήκες αυξημένης σκόνης ή άλλες δυσμενείς συνθήκες, αλλάζετε το λάδι του κινητήρα κάθε 25 ώρες.

ΠΡΟΕΙΔΟΠΟΙΗΣΗ

Η λειτουργία του κινητήρα με χαμηλή στάθμη λαδιού θα προκαλέσει ζημιά στον κινητήρα.

ΦΙΛΤΡΟ ΑΕΡΑ

ΠΡΟΕΙΔΟΠΟΙΗΣΗ

Το να λειτουργείτε τον κινητήρα χωρίς φίλτρο αέρα ή με φίλτρο αέρα με βλάβη, θα επιτρέψει την είσοδο βρωμιάς στο εσωτερικό του, προκαλώντας ταχεία φθορά του κινητήρα.

Για να ελέγξετε, καθαρίστε ή αντικαταστήσετε το φίλτρο αέρος:

1. Αφαιρέστε το κάλυμμα του φίλτρου αέρα (Εικ. 8.1).
2. Βεβαιωθείτε ότι το στοιχείο φίλτρου αέρα (Εικ. 8.2) είναι απαλλαγμένο από ακαθαρσίες και σε καλή κατάσταση. Εάν είναι βρώμικο, αφαιρέστε το και καθαρίστε το.
3. Για να καθαρίσετε ένα στοιχείο φίλτρου αέρα αφρού πλύνετε το με απορρυπαντικό σπιτιού και ζεστό νερό και αφήστε το να στεγνώσει. Στη συνέχεια, βυθίστε το σε καθαρό λάδι κινητήρα και πιέστε απαλά ώστε να στραγγίξετε από το περίσσιο λάδι. Εάν απαιτείται, αντικαταστήστε το με ένα νέο.

Για να καθαρίσετε ένα στοιχείο φίλτρου αέρα χαριού, καθαρίστε ελαφριά βρωμιά χτυπώντας το απαλά μερικές φορές σε σκληρή επιφάνεια και αντικαταστήστε εάν υπάρχει βαριά βρωμιά.

4. Καθαρίστε το εσωτερικό της θήκης του φίλτρου αέρα και το κάλυμμα από βρωμιά με ένα

μαλακό πανί. Εάν ο κινητήρας είναι εξοπλισμένος με φίλτρο αέρα τύπου σε λάδι, αντικαταστήστε το λάδι με νέο λάδι κινητήρα.

5. Επανατοποθετήστε το στοιχείο φίλτρου αέρα και ακολουθήστε την αντίστροφη διαδικασία για να επανατοποθετήσετε το κάλυμμα του φίλτρου αέρα.

ΠΡΟΕΙΔΟΠΟΙΗΣΗ

Μην καθαρίζετε ποτέ το φίλτρο αέρα με βενζίνη ή απορρυπαντικά χαμηλού σημείου ανάφλεξης για να αποφύγετε τον κίνδυνο πυρκαϊγιάς ή έκρηξης.

ΣΗΜΕΙΩΣΗ

Εάν ο κινητήρας λειτουργεί συχνά υπό συνθήκες αυξημένης σκόνης ή άλλες δυσμενείς συνθήκες, καθαρίστε το στοιχείο φίλτρου αέρα κάθε 10 ώρες και αλλάξτε το λάδι του με καινούργιο. Εάν είναι απαραίτητο, αλλάξτε το στοιχείο φίλτρου αέρα κάθε 25 ώρες.

ΜΠΟΥΖΙ

Για να συντηρήσετε το μπουζί (Εικ. 9.4):

1. Αφαιρέστε το καλώδιο μπουζί (Εικ. 9.1) για να έχετε πρόσβαση στο μπουζί (Εικ. 9.2).
2. Χρησιμοποιήστε ένα κατάλληλο εργαλείο μπουζί (Εικ. 9.3) για να αφαιρέσετε προσεκτικά το μπουζί.
3. Επιθεωρήστε την κατάσταση του μπουζί και του ηλεκτροδίου του. Πρέπει να είναι καθαρό και να μην είναι φθαρμένο. Ελέγξτε ότι το διάκενο μπουζί κυμαίνεται μεταξύ 0,7 και 0,8 mm (Εικ. 16). Αν χρειάζεται, αντικαταστήστε το μπουζί με ένα νέο.
4. Βιδώστε προσεκτικά το μπουζί στον κινητήρα με το χέρι.
5. Αφού βιδώσετε μερικές σπείρες, χρησιμοποιήστε το κατάλληλο εργαλείο μπουζί για να σφίξετε σταθερά το μπουζί, προσέχοντας να μην χρησιμοποιήσετε υπερβολική δύναμη ώστε να βλάψετε το σπείρωμα.
6. Επανασυνδέστε το καλώδιο του μπουζί.

ΠΡΟΕΙΔΟΠΟΙΗΣΗ

Μην αφήνετε ποτέ βρωμιά ή υπολείμματα να εισέλθουν στον κύλινδρο. Πριν αφαιρέσετε το μπουζί, καθαρίστε προσεκτικά τόσο το μπουζί όσο και την περιοχή της κύλινδρο-κεφαλής.

ΚΑΠΑΚΙ ΙΖΗΜΑΤΩΝ ΚΑΥΣΙΜΟΥ

ΠΡΟΣΟΧΗ

Συντηρείτε το καρμπυρατέρ μόνο σε εξωτερικούς και καλά αεριζόμενους χώρους.

Για να συντηρήσετε το καπάκι ιζημάτων καυσίμου:

1. Γυρίστε το μοχλό καυσίμου στη θέση "OFF" (Εικ. 10.1).
2. Αφαιρέστε το καπάκι ιζημάτων καυσίμου (Εικ. 10.1) του καρμπυρατέρ μαζί με το λαστιχάκι στεγανοποίησής του (Εικ. 10.1).
3. Πλύνετε τα μέρη που αφαιρέσατε σε διάλυμα, στεγνώστε διεξοδικά.

ΠΡΟΣΟΧΗ

Μην καθαρίζετε ποτέ το καπάκι ιζημάτων καυσίμου με βενζίνη ή απορρυπαντικά χαμηλού σημείου ανάφλεξης για να αποφύγετε τον κίνδυνο πυρκαϊγιάς ή έκρηξης.

4. Αντικαταστήστε το λαστιχάκι στεγανοποίησης

- με καινούργιο αν απαιτείται.
- Επανατοποθετήστε το λαστικό στεγανοποίησης και το καπάκι ιζημάτων καυσίμου και ασφαλίστε τα στη θέση τους.
 - Γυρίστε το μοχλό καυσίμου στη θέση "ON" και ελέγξτε για τυχόν διαρροές καυσίμου.

ΦΙΛΤΡΟ ΒΕΝΖΙΝΗΣ

Το δοχείο καυσίμου ενδέχεται να είναι εφοδιασμένο με ένα φίλτρο, ανάλογα με το μοντέλο του σκαπτικού, που βρίσκεται στην τάπα του δοχείου καυσίμου. Το φίλτρο καυσίμου μπορεί να διαχωριστεί και πρέπει να ελέγχεται περιοδικά. Εάν το φίλτρο είναι βρώμικο, καθαρίστε το και αντικαταστήστε το με ένα νέο όταν απαιτείται. Σε περίπτωση που το εσωτερικό του δοχείου καυσίμου είναι βρώμικο, μπορεί να καθαριστεί ξεπλύνοντάς το με καθαρή βενζίνη.

ΚΑΘΑΡΙΣΜΟΣ

Χρησιμοποιήστε μια μικρή μαλακή βούρτσα για να καθαρίσετε το εξωτερικό του μηχανήματος. Μην χρησιμοποιείτε ισχυρά απορρυπαντικά. Τα οικιακά καθαριστικά που περιέχουν αρωματικά έλαια όπως πεύκο και λεμόνι και διαλύτες όπως κηροζίνη μπορούν να προκαλέσουν ζημιά στο πλαστικό περίβλημα ή στη λαβή. Σκουπίστε τυχόν υγρασίες με ένα μαλακό πανί.

ΑΠΟΘΗΚΕΥΣΗ

ΠΡΟΕΙΔΟΠΟΙΗΣΗ

Μην αποθηκεύετε ποτέ το μηχάνημα με καύσιμο στη δεξαμενή και αφήνετε πάντα να κρυώσει πριν την αποθήκευση. Αποθηκεύστε το μηχάνημα μόνο σε ξηρούς και καλά αεριζόμενους χώρους.

Σε περίπτωση που η μονάδα θα αποθηκευτεί για μεγάλο χρονικό διάστημα, χρησιμοποιήστε την ακόλουθη διαδικασία αποθήκευσης:

- Αποστραγγίστε όλο το καύσιμο από το ρεζερβουάρ καυσίμου.
- Λειτουργήστε τον κινητήρα μέχρι να σταματήσει λόγω έλλειψης καυσίμου.
- Αντικαταστήστε το λάδι του κινητήρα με καινούργιο.
- Αφαιρέστε το μπουζί και βάλτε 30 ml λαδιού κινητήρα υψηλής ποιότητας ή λαδιού μίξης στον κύλινδρο. Τραβήξτε αργά το σχοινί της μίζας για να διανεμίστε το λάδι. Εγκαταστήστε εκ νέου το μπουζί.
- Καθαρίστε σχολαστικά τη μονάδα και ελέγξτε για τυχόν χαλαρά ή κατεστραμμένα μέρη. Επισκευάστε ή αντικαταστήστε τα κατεστραμμένα μέρη και σφίξτε τις χαλαρές βίδες, παξιμάδια ή μπουλόνια.
- Λιπάνετε όλα τα μέρη όπου απαιτείται με ένα νωπό σε λάδι πανί για να αποφύγετε τη συσσώρευση σκουριάς.

ΠΡΟΣΤΑΣΙΑ ΤΟΥ ΠΕΡΙΒΑΛΛΟΝΤΟΣ

Ανακυκλώστε τις πρώτες ύλες αντί να τις απορρίψετε. Το μηχάνημα, τα αξεσουάρ και οι συσκευασίες πρέπει να ταξινομούνται για φιλική προς το περιβάλλον ανακύκλωση. Τα πλαστικά εξαρτήματα επισημαίνονται για κατηγοριοποιημένη

ανακύκλωση.

Απορρίψτε το χρησιμοποιημένο λάδι κινητήρα και τα δοχεία με τρόπο φιλικό προς το περιβάλλον. Σας προτείνουμε να το πάτε σε ένα σφραγισμένο δοχείο στο τοπικό κέντρο ανακύκλωσης ή στο πρατήριο καυσίμων. Μην το πετάτε στα σκουπίδια και μην το ρίχνετε στο έδαφος ή στην αποχέτευση.

ΕΓΓΥΗΣΗ

Αυτό το προϊόν είναι εγγυημένο σύμφωνα με τους νόμους / ειδικούς κανονισμούς ανά χώρα, από την ημερομηνία αγοράς του από τον χρήστη. Ζημιές που οφείλονται σε φυσιολογική φθορά, υπερφόρτωση ή ακατάλληλο χειρισμό θα εξαιρεθούν από την εγγύηση. Σε περίπτωση αξίωσης, στείλτε το μηχάνημα, πλήρως συναρμολογημένο, στον αντιπρόσωπό σας ή στο επίσημο κέντρο σέρβις.

SRPSKI

OPŠTA BEZBEDOSNA UPOZORENJA

Pročitajte i razumete uputstvo ovog vlasnika pre rada ovog proizvoda. Možete da sprečite nezgode tako što ćete biti upoznati sa kontrolama proizvoda i pridržavanjem bezbednih operativnih procedura i bezbednosnih znakova. Uvek koristite zdrav razum da izbegnete sve situacije koje se smatraju izvan vaše mogućnosti. Nemojte koristiti dok ste umorni ili pod uticajem droga, alkohola ili bilo kojih drugih lekova. Držite prolaznike i životinje koje bi mogle biti povređene, kao i predmete koji bi mogli biti oštećeni, daleko dok rade. Nikada ne dozvolite deci ili osobama koje nisu upoznate sa ovim uputstvima da koriste proizvod. Lokalni zakoni mogu da ograniče minimalnu starosnu granicu operatera. Imajte na umu da je operater ili korisnik odgovoran za nesreće ili neočekivane događaje koji se dešavaju drugim ljudima, životinjama ili njihovoj imovini. Ne izlažite proizvod prekomernoj vlazi, prašini, prljavštini ili korozivnim isparenjama. Nemojte montirati opremu ili pribor na mašinu koja nije predviđena ili odobrena od strane proizvođača. Nikada ne pokušavajte da izmenite proizvod. Neovlašćene izmene ili pribor mogu rezultirati ozbiljnim ličnim povredama ili smrću operatera ili drugih osoba. Posavetujte se sa ovlašćenim dilerom za rastav i uslugu, koja nije obuhvaćena ovim uputstvom. Ako se nešto pokvari ili dođe do nezgode tokom rada, odmah isključite mašinu i udaljite je kako biste sprečili dalje oštećenje. U slučaju da je strano telo ušlo u mašinu, odmah ga zaustavite, pregledajte da li ima oštećenja i izvršite popravke pre nego što ga ponovo započnete.

ZAŠITNA OPREMA

Uverite se da prilikom rada jedinice koristite odgovarajuću i sertifikovanu zaštitnu opremu. Uvek nosite odeću koja ne sputava pokrete, zaštitne rukavice, zaštitne naočare, respirator sa polu maskiranim ušima, zaštitu ušiju i anti-shear sigurnosne čizme sa neklizajućim đonom. Nikada ne nosite šalove, ogrlice ili bilo kakav viseći ili lepršavi pribor i odeću koja bi mogla da se uhvati u mašini. Veći kosu ako je dugaika.

OPASNOSTI OD OTROVA

Radi samo na otvorenom i u dobro provetrenim delovima. Kada radi, motor iscrpljuje otrovni ugljen-monoksid, bez mirisa i bezbojni gas. Udisanje ugljen-monoksida izazvaće mučninu, nesvesticu ili smrt. Nemojte upravljati mašinom u zatvorenom prostoru gde mogu da se razviju opasna isparenja ugljen-monoksida, ili blizu otvorenih prozora. Gorivo i ulje su izuzetno otrovni. Nemojte udisanje goriva isparavati gasove i uvek nosite odgovarajuću zaštitnu opremu prilikom rukovanja njima. Uvek skladištite gorivo i ulje u odobrenim posudama i odgovorno raspoložete.

OPASNOSTI OD POŽARA I OPEKOTINA

Benzin i nafta su zapaljivi. Sledite uputstva koja je obezbedio svaki proizvođač pre upotrebe. Potenci-

jalne izvore vatre ili iskre treba držati podalje sve vreme. Ne pušite blizu mašine ili bilo kakvog goriva i ulja. Gorivo samo na otvorenom, u dobro provetrenoj oblasti, sa isključenim motorom. Polako otvorite rezervoar za gorivo kako biste omogućili da se pritisak unutra smanjuje postepeno. Ne preteruj sa rezervoarom. Uverite se da postoji određeno rastojanje između bilo kog rezervnog rezervoara benzina i jedinice, kako bi se sprečila nepotrebna opasnost. Pobrinite se da bilo koje i svo prosuto gorivo i ulje budu izbrisani pre nego što upalite motor.

Neki delovi mašine se zagreju dovoljno da zapale zapaljive materijale. Ne koristite u oblastima sa visokim rizikom od požara. Ne usmeravajte prigušivač a samim tim i izduvna isparenja prema zapaljivim materijalima.

Ako dođe do požara, koristite odgovarajući protivpožarni aparat posebno dizajniran za požar nafte i benzina.

Neki delovi mašine se zagreju dovoljno da izazovu oštećenje opekotina. Obratite pažnju da ih ne dodirujete kako biste izbegli da se opečete. Ostavite mašinu da se ohladi pre nego što je uskladištite.

KATEGORIJA BEZBEDOSNA UPOZORENJA

BEZBEDAN RAD

Sve operativne poluge mašine moraju lako da se kreću sa jedne pozicije na drugu i ne sme im biti potrebno forsiranje. Električni kablovi i kabl za svećice moraju biti u savršenom stanju da bi se izbegla generacija bilo kakvih varnica. Svećica mora biti pravilno uklopljena na svećice. Ručne i zaštitne uređaje moraju biti čiste i suve kao i bezbedno pričvršćivanje za mašinu.

Uvek proverite da li postoje objekti koji mogu da blokiraju ekran za unos vazduha pre nego što počinju sa radom. Zapušeni unos vazduha smanjuje performanse mašine i povećava radnu temperaturu motora, što može rezultirati kvarom motora.

Uverite se da ste zaustavili mašinu:

- ▶ Prilikom montaže ili uklanjanja dodatne opreme.
- ▶ Kad god ostavite mašinu bez nadzora.
- ▶ Tokom dopune goriva.
- ▶ Tokom čišćenja ili održavanja.
- ▶ Kada se krećete između radnih oblasti.
- ▶ Tokom transporta.
- ▶ Pre skladištenja.

OPASNOSTI PO STRUJU

Uverite se da su električne utičnice mašine i kablovi i utičnice koji su povezani sa njim u dobrom stanju i da se ne nose. Nikada ne koristite oštećenu mašinu ili mašinu sa oštećenim ili istrošenim električnim kablovima i utikačima. Ne izlažite mašinu i električne kablove vlažnim uslovima i nikada ne dirajte kada su vlažni. Iskoristite kontakt sa zemljom. Nemojte dolaziti u kontakt sa prizemljenim površinama ili električnim kablovima, kako biste izbegli rizik od električnog šoka. Nemojte koristiti kabl da biste izvukli utikač iz utičnice. Uvek vodite kabl za napajanje dalje od zadnjeg dela mašine i zaštitite ga od toplote, ulja i oštrih predmeta. Kada mašina treba da se koristi na otvorenom, koristite samo produžne kablove namenjene za korišćenje

na otvorenom. Presek bilo kog produžnog kabela mora da izmeri najmanje 1,5mm² i glavna veza mora biti zaštićena odgovarajućim osiguračima.

OPASNOSTI OD ROTIRAJUĆIH DELOVA

Rotirajući delovi mogu da izazovu ozbiljne povrede. Izbegavajte kontakt sa rotirajućim delovima dok su još uvek u rotaciji.

OPASNOSTI OD BUKE I VIBRACIJA

Nivoi buke i vibracija prikazani u ovim uputstvima su maksimalni nivoi za korišćenje mašine. Nedovoljno održavanje ima značajan uticaj na vibracije i emisiju buke. Shodno tome, neophodno je preduzeti preventivne korake kako bi se eliminisala moguća oštećenja usled visokog nivoa buke i stresa od vibracija. Dobro održavajte mašinu, nosite uređaje za zaštitu ušiju, rukavice protiv vibracija i napravite pauze dok radite. Tokom radnog dana pravićete česte i adekvatne pauze kako biste sprečili oštećenje vibracija i oštećenja ušiju.

OPASNOSTI U RADNOJ OBLASTI

Detaljno pregledajte ceo radni prostor i uklonite sve što može biti opasan izvor ili prouzrokovati oštećenje mašine. Proverite da li postoje prolaznici, životinje ili predmeti koji mogu biti oštećeni u okviru opsega radnji mašine.

Radite samo po dnevnom svetlu, ili uz odgovarajuću veštačku svetlost, u dobrim uslovima vidljivosti. Pokušajte da ne izazivate nikakve smetnje u buci, samo koristeći ovu mašinu u razumno doba dana. Zauzmu čvrstu i dobro izbalansiranu poziciju. Gde je to moguće, izbegavajte rad na vlažnom, klizavom terenu ili u svakom slučaju na neravnomernom ili strmom terenu koji ne garantuje stabilnost operateru ili odgovarajuće uslove rada mašine.

Upravljajte mašinom u slobodnom prostoru, daleko od okolnih objekata ili zidova kako biste garantovali bezbedan rad i očistili cirkulaciju vazduha za unos.

PREOSTALE OPASNOSTI

Mašina je napravljena pomoću savremene tehnologije i u skladu sa priznatim bezbednosnim pravilima. Čak i kada su preuzete sve bezbednosne mere, neke preostale opasnosti, koje još uvek nisu evidentne, mogu biti prisutne. Operater treba da koristi zdrav razum i preduzme neophodne mere predostrožnosti kako bi izbegao rizik zbog preostalih opasnosti.

SPECIFIKACIJE PROIZVODA

NAMENJENA UPOTREBA

Ova mašina je dizajnirana i proizvedena da obezbedi električnu energiju u oblastima u kojima je komunalno napajanje nedostupno ili nepouzdanost. Svaka druga upotreba koja se razlikuje od gore navedenih mogla bi da bude opasna, da naškodi ljudima i ošteti stvari i samu mašinu.

NEPRAVILNA UPOTREBA

Mašina ne sme da se koristi za napajanje aparata drugih koji su namenjeni u skladu sa njenim specifikacijama.

Drugi primeri nepravilne upotrebe mogu da uključuju, ali nisu ograničeni, na rad računara:

- ▶ Bez originalnog pribora koji je obezbedio proizvođač.
 - ▶ Sa originalnim priborom, ali na neki način ne u skladu sa uputstvima.
 - ▶ Bez originalnih rezervnih delova.
 - ▶ Sa neovlašćenim izmenama.
- Prema važećim zakonima o odgovornosti proizvođača, proizvođač uređaja ne preuzima odgovornost za štetu na proizvodu ili štetu nastalu usled proizvoda do koje dolazi zbog:
- ▶ Nepravilno rukovanje nije u skladu sa uputstvima za rad.
 - ▶ Popravke od strane trećih lica, a ne od strane ovlašćenih servisnih tehničara.
 - ▶ Instalacija ne-originalnih rezervnih delova.
 - ▶ Nemušta upotreba.
 - ▶ Kvar na električnom sistemu zbog rada mašine na način koji nije u skladu sa električnim i VDE propisima.

TEHNIČKI PODACI STRANICA 68

IDENTIFIKACIJA (SL. 1)

1. AC izlaz
2. Prizemni terminal
3. Baterije
4. Uljana rupicu
5. Glavni prekidač
6. Recoil starter
7. Ventil za gorivo
8. Sredstvo za čišćenje vazduha
9. Ručica gušenja
10. Rezervoar za gorivo
11. Kapa rezervoara za gorivo
12. Voltmetar
13. AC toplotna zaštita

OPERACIJA

PREOPERACIJA

Raspakivanje i dovršavanje montaže treba uraditi na ravnoj i stabilnoj površini, sa dovoljno prostora za premeštanje mašine i njene ambalaže, uvek koristeći odgovarajuću opremu. Skupštinu treba da sprovodi obučeno osoblje u vašoj najbližjoj dilerskoj radnji, tamo gde je to neophodno.

Gorivo i podmazivanje

UPOZORENJE

Mašina se isporučuje bez nafte i goriva.

Ovaj proizvod je opremljen motorom od 4 poteza što znači da benzin treba koristiti u rezervoaru za gorivo i motor treba da bude napunjen uljem.

Specifikacije goriva: Bezosećeni benzin ili 90 oktana više.

Kapacitet rezervoara za gorivo: Pogledajte "TABELA TEHNIČKIH PODATAKA"

Da napunite mašinu gorivom (Sl. 2):

1. Skinij poklopac rezervoara.
2. Dodajte gorivo na gornji nivo rezervoara za gorivo. Ostavite minimum 5 mm prostora između vrha goriva i unutrašnje ivice rezervoara da biste omogućili proširenje. Polovina dužine filtera rezervoara za gorivo takođe može da radi kao

znak višeg nivoa goriva, gde je dostupan.

3. Pomerite poklopac rezervoara za gorivo i zategnite na odgovarajući način.

UPOZORENJE

Uvek koristite čistu posudu za skladištenje goriva i nemojte koristiti gorivo uskladišteno duže od mesec dana.

Specifikacije ulja: Za opštu upotrebu (5°C - 38°C) preporučeno ulje je 4-moždano ulje motora SAE 15W40(Sl. 3).

Kapacitet motornog ulja: Pogledajte "TABELA TEHNIČKIH PODATAKA"

Da biste napunili motor uljem:

1. Uklonite kapu za filer ulja (Sl. 4.1) sa vrata filera motornog ulja (Sl. 4.2). Donji deo je indikator nivoa nafte.
2. Postepeno dodajte dovoljno ulja da nivo ulja dovedete do usne vrata uljanog filera, do gornjeg nivoa (Sl. 4.3) i ne nižeg od donjeg nivoa (Sl. 4.4).
3. Repozicioniti kapu za filer ulja i prikladno zategnuti.

UPOZORENJE

Koristite levak kako biste izbegli prosipanje goriva ili ulja. Obrisite svako prosuto gorivo i ulje pre nego što upalite motor.

Da biste povezali bateriju, primenjuje se samo na modele sa električnim startom:

1. Otvorite tablu sa baterijom.
2. Uklonite bateriju sa položaja.
3. Povežite pozitivan (crveni) kabl sa pozitivnim stubom baterije.
4. Povežite pozitivnu (crnu) negativnu sa negativnim stubom baterije.
5. Promenite položaj baterije i panela.

POKRETANJE JEDINICE

Pre pokretanja mašine:

- ▶ Pobrinite se da i mašina i vi budete na stabilnom terenu.
- ▶ Proverite da li su svi pričvršćivači obezbeđeni na poziciji.
- ▶ Isključite sva električna opterećenja iz generatora. Nikada ne počinjite ili zaustavljate generator sa priključenim ili uključenim električnim uređajima.
- ▶ Proverite da li je filter vazduha čist i da li je unos vazduha i izduvnih gasova zapušten bilo kakvim stranim materijalom.
- ▶ Napunite potrebnom količinom ulja i goriva.

Da biste pokrenuli mašinu:

1. Otvorite ventil za gorivo, koji se nalazi na donjoj strani rezervoara.
2. Pomerite ručicu za gušenje (Sl. 5) na poziciju "CHOKE".

NOTA

Ovaj korak se odnosi samo na hladno pokretanje motora. Kada je motor već topao ili je temperatura okoline visoka, ručica gušenja mora da ostane u "RUN" poziciji sve vreme.

3. Prianjajte čvrsto dršku mašine levom rukom i početni stisak (Sl. 6.2) motora desnom rukom. Povucite početni stisak dok ne osetite otpor da uključite motor, a zatim čvrsto povucite da upalite motor.

UPOZORENJE

Da ne biste prolomili starter kanap (Sl. 6.1), nemojte ga povlačiti celom dužinom ili pustiti da klizi duž ivice rupe vodiča za kablovsku televiziju. Oslobodite startera postepeno, kako biste izbegli da nekontrolisano odeleti nazad.

NOTA:

Za mašine sa električnim paljenjem umesto toga možete koristiti prekidač za paljenje, tako što ćete ga gurati kratko dok se motor ne upali.

4. Kako se motor zagreva, pomerite ručicu za gušenje na poziciju "RUN", ako je motor bio hladan.

NOTA

Za maksimalne performanse i pouzdanost, dozvolite motoru da se zagreje pre rada pri punom opterećenju, radeći ga dva do tri minuta u nusu.

GLAVNI PREKIDAČ

▶ Isključeno: Strujno kolo za paljenje je isključeno. Motor neže da radi.

▶ ON: Kolo za paljenje je zamenjeno ON. Motor može da radi.

Senzor niskog ulja

Kada nivo ulja padne ispod donjeg nivoa, senzor niskog ulja se zanosi i onda se motor automatski zaustavlja. Ukoliko ne dopunite uljem, motor se neće ponovo upaliti.

TOPLOTNA ZAŠTITA

Toplotna zaštita je angažovana kada se otkrije preopterećenje povezanog električnog uređaja. zaustavljanje proizvodnje energije u cilju zaštite generatora i bilo kakvih povezanih električnih uređaja. Kada dođe do toplotne zaštite i proizvodnja struje prestane, nastavite na sledeći način:

1. Isključite sve povezane električne uređaje i zaustavite motor.
2. Smanjite ukupnu vatu povezanih električnih uređaja u okviru ocenjenog izlaza.
3. Proverite da li ima blokada u dovodu vazduha za hlađenje i oko kontrolne jedinice. Ako su pronađene neke blokade, uklonite ih.
4. Uključite zaštitnik tako što ćete ga ponovo pritisnuti na poziciju.
5. Nakon provere, ponovo pokrenite mašinu.

UPOZORENJE

Ako se toplotna zaštita ponovo angažuje, odmah prestanite da koristite uređaj i konsultujte našu kompaniju ovlašćenog dilera.

PRIZEMNI TERMINAL

Kopneni terminal povezuje zemaljski linije za sprečavanje električnog šoka. Kada je električni uređaj zemljan, generator uvek mora biti zemljum. Da bi se sprečio električni šok zbog oskudnih električnih uređaja ili pogrešne upotrebe električne energije, generator mora biti prizemljen dobrim kvalitetom izolovanog provodnika.

ZAUSTAVLJANJE JEDINICE

Da biste zaustavili mašinu:

1. Isključite i isključite sve električne toware.

UPOZORENJE

Nikada ne počinjite ili zaustavljate generator sa prikl-

jućenim ili uključenim električnim uređajima.

2. Neka generator radi bez opterećenja nekoliko minuta, da stabilizuje unutrašnje temperature motora i generatora.
3. Okrenite glavni prekidač na poziciju "OFF". Uključivanje kruga paljenja.
4. Ugasi ventil za gorivo.

ODRŽAVANJE I ČIŠĆENJE

UPOZORENJE

Nikada ne radite održavanje ili čišćenje sa pokretnom jedinicom. Uvek radi na kul jedinici. Pre čišćenja ili obavljanja radova na održavanju, isključite zatvarač svećare i pročitajte relevantna uputstva. Uvek nosite odgovarajuću odeću i zaštitne rukavice kad god su vam ruke u opasnosti.

Sve korekcije ili operacije održavanja koje nisu opisane u ovom uputstvu moraju da izvrše Vaš Diler ili specijalizovani servisni centar sa potrebnim znanjem i opremom kako bi se osiguralo pravilno održavanje prvobitnog nivoa bezbednosti mašine. Sve operacije koje se obavljaju u neovlašćenim centrima ili od strane nekvalifikovanih lica potpuno će poništiti garanciju i sve obaveze i odgovornosti Proizvođača.

Držite sve orahe i šrafove čvrsto da biste bili sigurni da je mašina uvek u bezbednom radnom stanju. Ručinsko održavanje je od suštinskog značaja za bezbednost i održavanje visokog nivoa performansi.

UPOZORENJE

Nikada ne koristite mašinu sa istrošenim ili oštećenim delovima. Neispravni ili istrošeni delovi uvek moraju biti zamenjeni, a ne popravljeni. Koristite samo originalne rezervne delove.

RASPORED ODRŽAVANJA

Stavke	Frekvenciju	Pre svake upotrebe			
		Nakon 1. meseca ili prvih 20hr operacije	Svaka 3 meseca ili 50hr operacije	Svaki 12. meseci ili 1000hr operacije	Svaki 24 meseci ili 2500hr operacije
Kompletna jedinica	Vizuelna izpekcija	√			
Regulatori kontrole	Provera operacije	√			
Spark arrester (ako je dostupan)	Proverite			√*	
Engine ulje	Dopuna čekova	√			
	Zameni		√	√	

Filter vazduha	Proverite	√			
	čist		√		
	Zameni			√	
Svećica	Prilagođavanje provere		√		√*
Linija goriva i filter	Ček - Čisto **				√*
Rezervoar za gorivo	Ček - Čisto **				√*
Depozitna šolja (ako je dostupna)	čist		√	√	
Čišćenje ventila	Prilagođavanje provere **				√
Komora za sagorevanje	Ček - Čisto **				√*

*Ove stavke treba zameniti ako je potrebno.

**Ove operacije treba da obavlja samo ovlašćeni diler, koji ima odgovarajuće alate i potrebnu mehaničku stručnost.

ULJE MOTORA

UPOZORENJE

Proveru nivoa i promenu ulja treba obaviti na čvrstom i nivou tla. Motor mora biti zaustavljen sve vreme. Da je motor radio, biće vruće i procedura bi trebalo da se obavi sa negom i neophodnim merama predostrožnosti kako bi se izbegla opasnost od opekotina.

NOTA

Iscedite polovno ulje dok je motor topao. Toplo ulje se cedi brzo i u potpunosti.

Da biste proverili nivo ulja:

1. Uklonite kapu za filer ulja (Sl. 7.6) sa vrata filera motornog ulja (Sl. 7.1).
2. Proveri nivo ulja. Nivo ulja treba da dostigne usnu (Sl. 7.7) vrata uljanog filera. Ako je potrebno, dodajte dovoljno ulja da nivo ulja dovede do usne vrata uljanog filera, do gornjeg nivoa i ne nižeg od donjeg nivoa.
3. Repozicioniti kapu za filer ulja i prikladno zategnuti.

Da biste promenili ulje:

1. Uklonite kapu za filer ulja sa vrata filera motornog ulja.
2. Postavite odgovarajuću posudu (Sl. 7.3) ispod rupe za odvod ulja (Sl. 7.2) da biste uhvatili iskorišćeno ulje.
3. Uklonite utikač za odvod ulja (Sl. 7.4) i veću (Sl. 7.5) kako biste omogućili da se ulje potpuno ocedi.
4. Repozicioniši utikač za odvod ulja sa svojom posudom za pranje i zategni na odgovarajući način.
5. Postepeno dodajte dovoljno ulja da nivo ulja dovede do usne vrata uljanog filera, do gornjeg nivoa i ne nižeg od donjeg nivoa.
6. Repozicioniti kapu za filer ulja i prikladno zategnuti.

NOTA

Ako motor često radi pod izuzetno prašnjavim ili drugim teškim okolnostima, menjaj ulje motora na svakih 25 sati.

UPOZORENJE

Pokretanje motora će dovesti do oštećenja motora.

FILTER VAZDUHA UPOZORENJE

Upravljanje motorom bez prečistača vazduha, ili sa oštećenim prečistačem vazduha, omogućuje prljavštini da uđe u motor, što će izazvati brzo habanje motora.

Da biste proverili, očistili ili promenili filter vazduha:

1. Uklonite poklopac filtera vazduha (Sl. 8.1).
2. Uverite se da je element filtera vazduha (Sl. 8.2) oslobođen prljavštine i da je u dobrom stanju. Ako je prljav, uklonite ga i očistite.
3. Da biste očistili element filtera za penast vazduh operite ga kućnim deterdžentom i toplom vodom i ostavite da se osuši. Zatim ga natopite čistim zasićenim uljem motora i nežno iscedite višak ulja. Ako je potrebno, zamenite ga novim.

Da biste očistili element filtera za papirni vazduh, očistite laganu prljavštinu tako što ćete je nežno zalепiti nekoliko puta na tvrdi površinu i zameniti ako je prisutna teška prljavština.

4. Očistite unutrašnjost omotača filtera za vazduh i pokrijte od prljavštine mekom krpom. Ako je motor opremljen filterom vazduha tipa uljane kupke, zamenite ulje novim uljem motora.
5. Ponovo instalirajte element filtera vazduha i sledite obrnutu proceduru kako biste vratili u poziciju poklopac filtera vazduha.

UPOZORENJE

Nikada ne čistite filter vazduha zapaljivim ili niskim deterdžentima sa fleš tačkom kako biste izbegli rizik od požara ili eksplozije.

NOTA

Ako motor često radi pod prašnjavim ili drugim teškim okolnostima, očistite filter vazduha na svakih 10 sati i dodajte mu promenu ulja sa novim. Ako je potrebno, menjajte element filtera vazduha na svakih 25 sati.

SVEĆICA

Da biste održali svećice (Sl. 9.4):

1. Uklonite zatvarač svećice (Sl. 9.1) da biste pristupili svećici (Sl. 9.2).
2. Koristite odgovarajući alat za svećice (Sl. 9.3) da biste pažljivo uklonili svećice.
3. Proverite stanje svećice i njene elektrode. Mora biti isto, a ne poљeno. Proverite da li je razmak između 0,7 i 0,8mm. Zamenite svećice novim, ako je potrebno.
4. Paљljivo priključite svećicu na motor ručno.
5. Kada se koncem zategne, koristite odgovarajući alat za svećice da biste zategli svećicu, obraćajući pažnju da ne koristite prekomernu silu koja oštećuje konce.
6. Ponovo priložite poklopac svećice.

UPOZORENJE

Nikada ne dozvolite prljavštini ili krhotinama da uđu u cilindar. Pre uklanjanja svećice temeljno očistite svećicu i područje glave cilindra.

TALOG OD GORIVA UPOZORENJE

Održavajte karburator goriva samo na otvorenom i u dobro provetrenim delovima.

Za održavanje taloga za gorivo:

1. Okrenite ventil za gorivo na poziciju "OFF" (Sl. 10.1).
2. Uklonite talog za gorivo karburatora (Sl. 10.1)

svojim gumenim prstenom za foke (Sl. 10.1).

3. Uklonjene delove operite u rastvaraču, temeljno ih osušite.

UPOZORENJE

Nikada ne čistite talog za gorivo zapaljivim ili niskim deterdžentima za fleš tačku kako biste izbegli rizik od požara ili eksplozije.

4. Gumeni prsten za foke zamenite novim ako je potrebno.
5. Ponovo instalirajte gumeni prsten za foke i sedimntnu šolju i obezbedite na položaju.
6. Okrenite ventil za gorivo na "ON" poziciju i proverite da li ima curenja goriva.

FILTER ZA GORIVO

Rezervoar za gorivo može biti opremljen filterom, u zavisnosti od modela Tiler, koji se nalazi na zatvarač rezervoara za gorivo. Filter za gorivo može da se izabere i treba ga povremeno proveravati. Ako je filter prljav, očistite ga i zamenite novim po potrebi. U slučaju da je unutrašnjost rezervoara prljava, može se očistiti ispiranjem rezervoara za gorivo čistim benzinom.

ČIŠĆENJE

Koristite malu meku četku za čišćenje spoljašnosti jedinice. Ne koristite jake deterdžente. Čistači domaćinstava koji sadrže aromatična ulja kao što su bor i limun i rastvarači kao što je kerozin mogu da oštete plastična kućište ili dršku. Obrisite svaku vlagu mekom krpom.

SKLADIŠTENJE

UPOZORENJE

Nikada ne skladištite jedinicu sa gorivom u rezervoaru i uvek dozvolite jedinici da se ohladi pre skladištenja. Jedinicu čuvajte samo u suvim i dobro provetrenim delovima.

U slučaju da će jedinica biti uskladištena duže vreme, koristite sledeću proceduru skladištenja:

1. Isušite svo gorivo iz rezervoara.
2. Pokrenite motor dok ne odugovlači zbog nedostatka goriva.
3. Zamenite ulje motora novim.
4. Uklonite svećicu i stavite 30 ml visokokvalitetnog motornog ulja u cilindar. Polako povucite starter kanap da biste distribuirali ulje, a zatim ponovo instalirajte svećice.
5. Temeljno očistite jedinicu i proverite da li ima labavih ili oštećenih delova. Popravite ili zamenite oštećene delove i zategnite labave šrafove, orahe ili šrafove.
6. Podmazujte sve delove potrebne vlažnom krpom za ulje da biste izbegli izgradenu rđu.

ZAŠTITA ŽIVOTNE SREDINE

Reciklirajte sirovine umesto da odlažete kao otpad. Mašina, pribor i ambalaža treba da se sortiraju za reciklažu pogodnu za životnu sredinu. Plastične komponente su označene za kategorizovanu reciklažu. Odložite polovno motorno ulje i kontejnere na način koji je kompatibilan sa okolinom. Predlažemo da ga odnesete u zapečaćenoj posudi u vaš lokalni reciklažni centar ili servisnu stanicu radi reklamaci-

je. Nemojte ga bacati u smeće, sipati na zemlju ili sipati u odvod.

GARANCIJE

Ovaj proizvod je garantovan u skladu sa zakonskim / državnim propisima, koji stupaju na snagu od dana kupovine od strane prvog korisnika. Šteta koja se može pripisati normalnom habanom i cedanju, preopterećenju ili nepravilnom rukovanju biće isključena iz garancije. U slučaju zahteva, pošaljite mašinu, potpuno okupljenu, vašem dileru ili zvaničnom servisnom centru.

HRVATSKI

OPĆA SIGURNOSNA UPOZORENJA

Pročitajte i razumite ovaj vlasnički priručnik prije uporabe ovog proizvoda. Možete pomoći u sprječavanju nesreća upoznavanjem s kontrolama vašeg proizvoda i promatranjem sigurnih radnih postupaka i sigurnosnih znakova. Uvijek koristite svoj zdrav razum kako biste izbjegli sve situacije koje se smatraju izvan vaših mogućnosti. Nemojte koristiti dok ste umorni ili pod utjecajem droga, alkohola ili bilo kojeg drugog lijeka. Držite podalje prolaznike i životinje koje bi mogle biti ozljeđene, kao i predmete koji bi se mogli oštetiti tijekom rada. Nikada ne dopustite djeci ili osobama koje nisu upoznate s ovim uputama da koriste proizvod. Lokalni zakoni mogu ograničiti minimalnu dob operatera. Imajte na umu da je operater ili korisnik odgovoran za nesreće ili neočekivane događaje koji se dogode drugim ljudima, životinjama ili njihovoj imovini. Ne izlažite proizvod prekomjernoj vlazi, prašini, prljavštini ili korozivnim parama. Nemojte montirati opremu ili pribor na stroj koji nije predviđen ili odobren od strane proizvođača. Nikada ne pokušavajte modificirati proizvod. Neovlaštene izmjene ili dodaci mogu dovesti do ozbiljnih ozljeda ili smrti operatera ili drugih. Za rastavljanje i servis, koji nisu obuhvaćeni ovim priručnikom, obratite se svom ovlaštenom prodavaču. Ako se nešto pokvari ili dođe do nezgode tijekom rada, odmah isključite stroj i odmaknite ga kako biste spriječili daljnja oštećenja. U slučaju da strano tijelo uđe u stroj, odmah ga zaustavite, pregledajte ima li oštećenja i izvršite popravke prije ponovnog pokretanja.

ZAŠITNA OPREMA

Obavezno koristite odgovarajuću i certificiranu zaštitnu opremu kada radite s jedinicom. Uvijek nosite odjeću koja ne otežava pokrete, zaštitne rukavice, zaštitne naočale, respirator s polumaskom, zaštitu za uši i zaštitne čizme protiv smicanja s neklizajućim potplatom. Nikada ne nosite šalove, ogrlice ili bilo koji viseći ili lepršav dodatak i odjeću koja bi se mogla zapeti u stroju. Zavežite kosu ako je duga.

OPASNOSTI OD OTROVA

Radite samo na otvorenom i u dobro prozračenim prostorima. Kada radi, motor ispušta otrovni ugljični monoksid, plin bez mirisa i boje. Udisanje ugljičnog monoksida uzrokovati će mučninu, nesvjesnicu ili smrt. Nemojte raditi sa strojem u skućenom prostoru gdje se mogu razviti opasne pare ugljičnog monoksida ili u blizini otvorenih prozora.

Gorivo i ulje su izuzetno otrovni. Nemojte udisati plinove koji isparavaju gorivo i uvijek nosite odgovarajuću zaštitnu opremu pri rukovanju njima. Gorivo i ulje uvijek skladištite u odobrenim spremnicima i odgovorno ih zbrinite.

OPASNOSTI OD POŽARA I OPEKA

Benzin i ulje su zapaljivi. Prije uporabe slijedite upute svakog proizvođača. Potencijalne izvore vatre

ili iskre uvijek treba držati podalje. Nemojte pušiti u blizini stroja ili goriva i ulja. Gorivo puniti samo na otvorenom, u dobro prozračenom prostoru, s ugašenim motorom. Polako otvorite spremnik goriva kako bi se tlak u njemu postupno smanjivao. Nemojte prepuniti spremnik goriva. Uvjerite se da postoji neka udaljenost između rezervnog spremnika benzina i jedinice, kako biste spriječili nepotrebnu opasnost. Prije pokretanja motora uvjerite se da je sve proliveno gorivo i ulje obrisano.

Neki dijelovi stroja se dovoljno zagriju da zapale zapaljive materijale. Nemojte koristiti u područjima s visokim rizikom od požara. Nemojte usmjeravati prigušivač, a time i ispušne plinove prema zapaljivim materijalima.

Ako dođe do požara, upotrijebite odgovarajući aparat za gašenje požara posebno dizajniran za požar na ulju i benzin.

Neki dijelovi stroja se dovoljno zagriju da izazovu opekline. Pazite da ih ne dodirujete kako biste izbjegli opekline. Pustite da se stroj ohladi prije nego što ga spremite.

SIGURNOSNA UPOZORENJA KATEGORIJE

SIGURAN RAD

Sve operativne poluge stroja moraju se lako pomicati iz jednog položaja u drugi i ne smiju se prisiljavati. Električni kabeli i kabel svjećice moraju biti u savršenom stanju kako bi se izbjeglo stvaranje iskri. Poklopac svjećice mora biti ispravno postavljen na svjećicu. Rukohvati i zaštitni uređaji moraju biti čisti i suhi, kao i sigurno pričvršćeni na stroj.

Prije početka rada uvijek provjerite ima li predmeta koji bi mogli blokirati zaslon za usis zraka. Začepljen usis zraka smanjuje performanse stroja i povećava radnu temperaturu motora, što može dovesti do kvara motora.

Provjerite jeste li zaustavili stroj:

- ▶ Prilikom montaže ili skidanja pribora.
- ▶ Kad god ostavite stroj bez nadzora.
- ▶ Tijekom točenja goriva.
- ▶ Tijekom čišćenja ili održavanja.
- ▶ Prilikom kretanja između radnih područja.
- ▶ Tijekom transporta.
- ▶ Prije skladištenja.

OPASNOSTI OD STRUJE

Provjerite jesu li električne utičnice stroja te kabeli i utikači koji su na njega spojeni u dobrom stanju i nisu istrošeni. Nikada nemojte koristiti oštećeni stroj ili stroj s oštećenim ili istrošenim električnim kabelima i utikačima. Ne izlažite stroj i električne kabele mokrim uvjetima i nemojte ih dodirivati kada su mokri. Koristite kontakt uzemljenja. Nemojte doći u dodir s uzemljenim površinama ili električnim kabelima kako biste izbjegli opasnost od strujnog udara. Nemojte koristiti kabel za izvlačenje utikača iz utičnice. Uvijek odvedite kabel za napajanje dalje od stražnje strane stroja i zaštitite ga od topline, ulja i oštih predmeta. . Kada se stroj koristi na otvorenom, koristite samo produžne kabele namijenjene za vanjsku upotrebu. Poprečni presjek produžnog kabela mora biti najmanje 1,5 mm², a mrežni priključak mora biti zaštićen odgovarajućim osiguračem.

OPASNOSTI OD ROTIRAJUĆIH DIJELOVA

Rotirajući dijelovi mogu uzrokovati ozbiljne ozljede. Izbjegavajte kontakt s rotirajućim dijelovima dok su još u rotaciji.

OPASNOSTI OD BUKE I VIBRACIJA

Razine buke i vibracija prikazane u ovim uputama su maksimalne razine za korištenje stroja. Nedovoljno održavanje ima značajan utjecaj na vibracije i emisije buke. Slijedom toga, potrebno je poduzeti preventivne korake kako bi se otklonila moguća oštećenja zbog visoke razine buke i stresa od vibracija. Dobro održavajte stroj, nosite štitnike za uši, antivibracijske rukavice i pravite pauze tijekom rada. Tijekom radnog dana pravite česte i primjerene pauze kako biste spriječili oštećenja od vibracija i oštećenja ušiju.

OPASNOSTI NA RADNOM PODRUČJU

Temeljito pregledajte cijelo radno područje i uklonite sve što bi moglo biti opasan izvor ili oštetiti stroj. Provjerite da nema promatrača, životinja ili predmeta koji bi se mogli oštetiti unutar područja djelovanja stroja.

Radite samo na dnevnom svjetlu, ili uz odgovarajuću umjetnu svjetlost, u uvjetima dobre vidljivosti. Pokušajte ne uzrokovati nikakve smetnje bukom, koristeći ovaj stroj samo u razumno doba dana.

Zauzmite čvrst i uravnotežen položaj. Gdje je moguće, izbjegavajte rad na mokrom, skliskom tlu ili u svakom slučaju na neravnom ili strmom tlu koji ne jamči stabilnost za operatera ili ispravne radne uvjete za stroj.

Upravljajte strojem u slobodnom prostoru, daleko od okolnih predmeta ili zidova kako biste zajamčili siguran rad i čistu cirkulaciju zraka za usis.

PREOSTALE OPASNOSTI

Stroj je izrađen suvremenom tehnologijom iu skladu s priznatim sigurnosnim pravilima. Čak i kada su sve sigurnosne mjere na snazi, mogu biti prisutne neke preostale opasnosti koje još nisu očite. Operater bi trebao koristiti zdrav razum i poduzeti potrebne mjere kako bi izbjegao rizik zbog preostalih opasnosti.

SPECIFIKACIJE PROIZVODA

NAMJENA

Ovaj stroj je dizajniran i proizveden za opskrbu električnom energijom u područjima gdje je električna energija nedostupna ili nepouzdana.

Svaka druga uporaba koja se razlikuje od gore navedenih može biti opasna, oštetiti ljude i oštetiti stvari i sam stroj.

NEPRAVILNA UPOTREBA

Stroj se ne smije koristiti za napajanje drugih uređaja osim onih za koje je namijenjen prema njegovim specifikacijama.

Drugi primjeri nepravilne uporabe mogu uključivati, ali nisu ograničeni na rad stroja:

- ▶ Bez originalne dodatne opreme koju je isporučio proizvođač.
- ▶ S originalnim priborom, ali na način koji nije u skladu s uputama.

- ▶ Bez originalnih rezervnih dijelova.
- ▶ Uz neovlaštene izmjene.
- ▶ Prema važećim zakonima o odgovornosti za proizvode, proizvođač uređaja ne preuzima odgovornost za štetu na proizvodu ili štetu uzrokovanu proizvodom koja nastaje zbog:
 - ▶ Nepravilno rukovanje nije u skladu s uputama za uporabu.
 - ▶ Popravke obavljaju treće strane, a ne ovlašteni serviseri.
 - ▶ Ugradnja neoriginalnih rezervnih dijelova.
 - ▶ Nenamjenska uporaba.
 - ▶ Kvar električnog sustava zbog rada stroja na način koji nije u skladu s električnim i VDE propisima.

MŰSZAKI ADATOK STRANICA 70

IDENTIFIKACIJA (SL. 1)

1. AC izlaz
2. Uzemljeni terminal
3. Baterija
4. Šipka za mjerenje ulja
5. Glavni prekidač
6. Pokretni starter
7. Ventil za gorivo
8. Čistač zraka
9. Poluga prigušnice
10. Spremnik za gorivo
11. Poklopac rezervoara za gorivo
12. Voltmetar
13. AC toplinska zaštita

OPERACIJA

PREDOPERACIJA

Raspakiranje i dovršavanje montaže treba obaviti na ravnoj i stabilnoj površini, s dovoljno prostora za pomicanje stroja i njegove ambalaže, uvijek koristeći prikladnu opremu. Po potrebi, montažu treba obaviti obučeno osoblje u najbližoj trgovini.

Punjenje goriva i podmazivanje

UPOZORENJE

Stroj se isporučuje bez ulja i goriva.

Ovaj proizvod je opremljen 4-taktnim motorom što znači da se u spremnik goriva treba koristiti benzin, a motor treba biti napunjen uljem.

Specifikacije goriva: Bezolovni benzin ili 90 oktana više.

Kapacitet rezervoara za gorivo: Pogledajte "TABLU TEHNIČKIH PODATAKA"

Za punjenje stroja gorivom (Sl. 2):

1. Skinite poklopac spremnika za gorivo.
2. Dolijte gorivo do gornje razine spremnika za gorivo. Ostavite najmanje 5 mm prostora između vrha goriva i unutarnjeg ruba spremnika kako biste omogućili širenje. Polovina duljine filtera poklopca spremnika goriva također može poslužiti kao gornji znak razine goriva, gdje je dostupan.
3. Ponovno namjestite poklopac spremnika za gorivo i zategnite ga na odgovarajući način.

UPOZORENJE

Uvijek koristite čistu posudu za skladištenje goriva i nemojte koristiti gorivo pohranjeno duže od mjesec dana.

Specifikacije ulja: Za opću uporabu (5°C - 38°C) preporučeno ulje je 4-taktno motorno ulje SAE 15W40 (slika 3).

Kapacitet motornog ulja: Pogledajte "TABLU TEHNIČKIH PODATAKA"

Za punjenje motora uljem:

1. Skinite čep za punjenje ulja (Sl. 4.1) s grla za punjenje motornog ulja (Sl. 4.2). Donji dio je indikator razine ulja.
2. Postupno dodajte dovoljno ulja da se razina ulja dovede do ruba grla za punjenje ulja, do gornje razine (Sl. 4.3) i ne niže od donje razine (Sl. 4.4).
3. Ponovno namjestite poklopac spremnika za ulje i zategnite ga na odgovarajući način.

UPOZORENJE

Koristite lijevak kako biste izbjegli prolijevanje goriva ili ulja. Prije pokretanja motora obrišite proliveno gorivo i ulje.

Za spajanje baterije, vrijedi samo za modele s električnim startom:

1. Otvorite poklopac baterije.
2. Izvadite bateriju iz njenog položaja.
3. Spojite pozitivni (crveni) kabel na pozitivni pol baterije.
4. Spojite pozitivni (crni) minus na negativni pol baterije.
5. Ponovno postavite bateriju u njezinu ploču.

POKRETANJE JEDINICE

Prije pokretanja stroja:

- ▶ Provjerite jeste li i stroj i vi na stabilnom tlu.
- ▶ Provjerite jesu li svi pričvršćivači pričvršćeni na svoje mjesto.
- ▶ Odvojite sva električna opterećenja od generatora. Nikada nemojte pokretati ili zaustavljati generator s uključenim ili uključenim električnim uređajima.
- ▶ Provjerite je li filter zraka čist i da usis i odvod zraka nisu začepljeni stranim materijalima.
- ▶ Napunite potrebnu količinu ulja i goriva.

Za pokretanje stroja:

1. Otvorite ventil za gorivo, koji se nalazi na donjoj strani spremnika za gorivo.
2. Pomaknite polugu prigušivača (Sl. 5) u položaj "CHOKE".

BILJEŠKA

Ovaj korak se odnosi samo na hladno pokretanje motora. Kada je motor već topao ili je temperatura okoline visoka, poluga prigušnice mora cijelo vrijeme ostati u položaju "RUN".

3. Lijevo rukom čvrsto uhvatite ručku stroja, a desnom rukom ručicu za pokretanje (Sl. 6.2) motora. Povucite rukohvat startera dok ne osjetite otpor da biste uključili motor, a zatim snažno povucite da biste pokrenuli motor.

UPOZORENJE

Kako biste izbjegli prekid startnog užeta (Sl. 6.1), nemojte ga povlačiti cijelom dužinom niti pustiti da klizi uz rub otvora za vodilicu kabela. Postupno otpuštajte starter kako biste izbjegli da nekontrolirano odleti natrag.

BILJEŠKA:

Za strojeve s električnim paljenjem, umjesto toga možete koristiti prekidač za paljenje, tako da ga kratko pritisnete dok se motor ne pokrene.

4. Kako se motor zagrijava, pomaknite ručicu prigušnice u položaj "RUN", ako je motor bio hladan.

BILJEŠKA

Za maksimalnu učinkovitost i pouzdanost, dopustite motoru da se zagrije prije rada pri punom opterećenju, radeći dvije do tri minute u praznom hodu.

GLAVNI PREKIDAČ

- ▶ OFF: Krug paljenja je isključen. Motor neće raditi.
- ▶ UKLJUČENO: Krug paljenja je uključen. Motor može raditi.

Senzor niske razine ulja

Kada razina ulja padne ispod donje razine, senzor niske razine ulja se uključuje i tada se motor automatski zaustavlja. Osim ako ne dolijete ulje, motor se neće ponovno pokrenuti.

TOPLINSKA ZAŠTITA

Toplinska zaštita se uključuje kada se otkrije preopterećenje priključenog električnog uređaja. zaustavljanje proizvodnje električne energije radi zaštite generatora i svih priključenih električnih uređaja. Kada se toplinska zaštita uključi i proizvodnja struje prestane, postupite na sljedeći način:

1. Isključite sve priključene električne uređaje i zaustavite motor.
2. Smanjite ukupnu snagu priključenih električnih uređaja unutar nazivne snage.
3. Provjerite ima li začepljenja na ulazu rashladnog zraka i oko upravljačke jedinice. Ako se pronađu blokade, uklonite ih.
4. Uključite štitnik tako da ga vratite na mjesto.
5. Nakon provjere, ponovno pokrenite motor.

UPOZORENJE

Ako se toplinska zaštita ponovno aktivira, odmah prestanite koristiti uređaj i obratite se ovlaštenom distributeru naše tvrtke.

UZEMLJENI TERMINAL

Stezaljka za uzemljenje povezuje vod uzemljenja radi sprječavanja strujnog udara. Kada je električni uređaj uzemljen, generator uvijek mora biti uzemljen. Kako bi se spriječio strujni udar zbog loših električnih uređaja ili pogrešne upotrebe električne energije, generator mora biti uzemljen kvalitetnim izoliranim vodičem.

ZAUSTAVLJANJE JEDINICE

Za zaustavljanje stroja:

1. Isključite i iskopčajte sva električna opterećenja.

UPOZORENJE

Nikada nemojte pokretati ili zaustavljati generator s uključenim ili uključenim električnim uređajima.

2. Neka generator radi u praznom hodu nekoliko minuta, kako bi se stabilizirale unutarnje temperature motora i generatora.
3. Okrenite glavni prekidač u položaj "OFF". Krug paljenja je uključen.
4. Isključite ventil za gorivo.

ODRŽAVANJE I ČIŠĆENJE

UPOZORENJE

Nikada ne obavljajte održavanje ili čišćenje dok jedini-

ca radi. Uvijek radite na hladnoj jedinici. Prije čišćenja ili održavanja, odvojite poklopac svječice i pročitajte odgovarajuće upute. Uvijek nosite odgovarajuću odjeću i zaštitne rukavice kad god su vaše ruke u opasnosti.

Sve prilagodbe ili radnje održavanja koje nisu opisane u ovom priručniku mora izvršiti vaš prodavač ili specijalizirani servisni centar s potrebnim znanjem i opremom kako bi se osiguralo da se posao obavlja ispravno uz održavanje izvorne sigurnosne razine stroja. Sve radnje izvršene u neovlaštenim centrima ili od strane nekvalificiranih osoba u potpunosti će poništiti Jamstvo i sve obveze i odgovornosti Proizvođača.

Držite sve matice i vijke čvrsto kako biste bili sigurni da je stroj uvijek u sigurnom radnom stanju. Rutinsko održavanje ključno je za sigurnost i održavanje visoke razine performansi.

UPOZORENJE

Nikada nemojte koristiti stroj s istrošenim ili oštećenim dijelovima. Neispravne ili istrošene dijelove uvijek je potrebno zamijeniti, a ne popravljati. Koristite samo originalne rezervne dijelove.

RASPORED ODRŽAVANJA

Stavke		Frekvencija				
		Prije svake uporabe	Nakon 1. mjeseca ili prvih 20 sati operacije	Swaka 3 mjeseca ili 50 sati rada	Swakih 12 mjeseci ili 100 sati rada	Swaka 24 mjeseca ili 250 sati rada
Kompletna jedinica	Vizualni pregled	√				
Ručke za upravljanje	Provjerite rad	√				
Odvodnik iskre (ako postoji)	Ček			√*		
Motorno ulje	Ček-dopunjavanje	√				
	Zamijeniti		√	√		
Zračni filter	Ček	√				
	Čist		√			
	Zamijeniti			√		
Svječica	Provjerite-prilagodite		√		√*	
Cijev za gorivo i filter	Provjerite - očistite **				√*	
Spremnik za gorivo	Provjerite - očistite **					√*

Šalica za polog (ako je dostupna)	Čist		√	√		
Zazor ventila	Ček - prilagodba**				√	
Komora za izgaranje	Provjerite - očistite**					√*

*Ove stavke treba zamijeniti ako je potrebno.

** Ove operacije smije izvoditi samo ovlašteni prodavač koji ima odgovarajuće alate i potrebno mehaničko znanje.

MOTORNO ULJE UPOZORENJE

Provjeru razine i promjenu ulja treba obaviti na čvrstom i ravnom terenu. Motor mora uvijek biti zaustavljen. Ako je motor bio u pogonu, bit će vruć i postupak treba obaviti s oprezom i potrebnim mjerama opreza kako bi se izbjegla opasnost od opekline.

BILJEŠKA

Ispustite iskorišteno ulje dok je motor topao. Toplo ulje brzo i potpuno iscuri.

Za provjeru razine ulja:

1. Skinite čep za punjenje ulja (Sl. 7.6) s grla za punjenje motornog ulja (Sl. 7.1).
2. Provjerite razinu ulja. Razina ulja treba doseći rub (Sl. 7.7) grla za punjenje ulja. Ako je potrebno, dodajte dovoljno ulja da se razina ulja dovede do ruba grla za punjenje ulja, do gornje razine i ne niže od donje razine.
3. Ponovno namjestite poklopac spremnika za ulje i zategnite ga na odgovarajući način.

Za promjenu ulja:

1. Skinite čep za punjenje ulja s grla za punjenje motornog ulja.
2. Stavite prikladnu posudu (Sl. 7.3) ispod otvora za ispuštanje ulja (Sl. 7.2) kako biste uhvatili iskorišteno ulje.
3. Skinite čep za ispuštanje ulja (Sl. 7.4) i podlošku (Sl. 7.5) kako biste omogućili da ulje potpuno iscuri.
4. Ponovno namjestite čep za ispuštanje ulja s podloškom i zategnite ga na odgovarajući način.
5. Postupno dodajte dovoljno ulja da se razina ulja dovede do ruba grla za punjenje ulja, do gornje razine i ne niže od donje razine.
6. Ponovno namjestite poklopac spremnika za ulje i zategnite ga na odgovarajući način.

BILJEŠKA

Ako motor često radi u ekstremno prašnjavim ili drugim teškim okolnostima, mijenjajte motorno ulje svakih 25 sati.

UPOZORENJE

Rad motora će niska razina ulja uzrokovati oštećenje motora.

ZRAČNI FILTER

UPOZORENJE

Rad motora bez pročištača zraka ili s oštećenim pročištačem zraka omogućit će ulazak prljavštine u motor, uzrokujući brzo trošenje motora.

Za provjeru, čišćenje ili promjenu filtera zraka:

1. Skinite poklopac filtera zraka (Sl. 8.1).
2. Provjerite je li element filtera zraka (Sl. 8.2) čist i u dobrom stanju. Ako je prljav, uklonite ga i očistite.

3. Za čišćenje pjenastog elementa filtera zraka operite ga kućnim deterdžentom i toplom vodom i ostavite da se osuši. Zatim ga namočite u čisto zasićeno motorno ulje i lagano istisnite višak ulja. Ako je potrebno, zamijenite ga novim.

Za čišćenje papirnog elementa filtera zraka, očistite lagano prljavštinu nježno ga nekoliko puta zalijepite na tvrdu površinu i zamijenite ako je prisutna velika prljavština.

4. Očistite unutrašnjost kućišta filtera zraka i pokrijte ga od prljavštine mekom krpom. Ako je motor opremljen zračnim filterom tipa uljne kupke, zamijenite ulje novim motornim uljem.
5. Ponovno postavite element filtera zraka i slijedite obrnuti postupak kako biste vratili poklopac filtera zraka na mjesto.

UPOZORENJE

Nikada nemojte čistiti zračni filter zapaljivim deterdžentima ili deterdžentima niske točke paljenja kako biste izbjegli rizik od požara ili eksplozije.

BILJEŠKA

Ako motor često radi u prašnjavim ili drugim teškim okolnostima, očistite zračni filter svakih 10 sati i dolijte mu ulje za zamjenu novim. Ako je potrebno, mijenjajte element filtera zraka svakih 25 sati.

SVJEČICA

Za održavanje svječice (Sl. 9.4):

1. Skinite poklopac svječice (Sl. 9.1) kako biste pristupili svječici (Sl. 9.2).
2. Upotrijebite odgovarajući alat za svječicu (slika 9.3) da pažljivo uklonite svječicu.
3. Provjerite stanje svječice i njene elektrode. Mora biti čist i ne istrošen. Provjerite je li razmak svječice između 0,7 i 0,8 mm. Zamijenite svječicu novom, ako je potrebno.
4. Pažljivo rukom uvucite svječicu u motor.
5. Nakon navoja, upotrijebite odgovarajući alat za svječicu za zatezanje svječice, pazite da ne koristite prekomjernu silu koja bi oštetila navoje.
6. Ponovno pričvrstite poklopac svječice.

UPOZORENJE

Nikada nemojte dopustiti da prljavština ili krhotine uđu u provrt cilindra. Prije uklanjanja svječice, temeljito očistite svječicu i područje glave cilindra.

ČAŠICA ZA TALOG GORIVA

UPOZORENJE

Karburator za gorivo održavajte samo na otvorenom i u dobro prozračenim prostorima.

Za održavanje posude za taloženje goriva:

1. Okrenite ventil za gorivo u položaj "OFF" (Sl. 10.1).
2. Uklonite posudu za taloženje goriva rasplinjača (Sl. 10.1) s gumenim brtvenim prstenom (slika 10.1).
3. Operite uklonjene dijelove u otapalu, dobro ih osušite.

UPOZORENJE

Posudu za taloženje goriva nikada nemojte čistiti zapaljivim deterdžentima ili deterdžentima niske točke paljenja kako biste izbjegli rizik od požara ili eksplozije.

4. Po potrebi zamijenite gumenu brtveni prsten novim.
5. Ponovno postavite gumenu brtveni prsten i posudu za taloženje i učvrstite na mjesto.

6. Okrenite ventil za gorivo u položaj "ON" i provjerite ima li curenja goriva.

FILTER GORIVA

Spremnik goriva može biti opremljen filterom, ovisno o modelu kormila, koji se nalazi na poklopcu spremnika za gorivo. Filter goriva se može izvaditi i treba ga povremeno provjeravati. Ako je filter prljav, očistite ga i po potrebi zamijenite novim. U slučaju da je unutrašnjost spremnika za gorivo prljava, može se očistiti ispiranjem spremnika za gorivo čistim benzinom.

ČIŠĆENJE

Koristite malu meku četku za čišćenje vanjske strane jedinice. Nemojte koristiti jake deterdžente. Sredstva za čišćenje u kućanstvu koja sadrže aromatična ulja poput bora i limuna te otapala poput kerozina mogu oštetiti plastično kućište ili ručku. Obrišite svu vlagu mekom krpom.

SKLADIŠTENJE

UPOZORENJE

Nikada nemojte spremati jedinicu s gorivom u spremniku i uvijek ostavite da se ohladi prije skladištenja. Uređaj čuvajte samo u suhim i dobro prozračenim prostorima.

U slučaju da će jedinica biti pohranjena dulje vrijeme, upotrijebite sljedeći postupak skladištenja:

1. Ispustite svo gorivo iz spremnika za gorivo.
2. Pokrenite motor dok se ne zaustavi zbog nedostatka goriva.
3. Zamijenite motorno ulje novim.
4. Izvadite svjećicu i ulijte 30 ml visokokvalitetnog motornog ulja u cilindar. Polako povucite uže za pokretanje kako biste rasporedili ulje, a zatim vratite svjećicu.
5. Temeljito očistite jedinicu i pregledajte ima li labavih ili oštećenih dijelova. Popravite ili zamijenite oštećene dijelove i zategnite olabavljene vijke, maticе ili vijke.
6. Podmažite sve potrebne dijelove uljnom krpom kako biste izbjegli nakupljanje hrđe.

ZAŠTITA OKOLIŠA

Reciklirajte sirovine umjesto da ih odlažete kao otpad. Stroj, pribor i ambalažu treba razvrstati za ekološki prihvatljivo recikliranje. Plastične komponente označene su za kategorizirano recikliranje.

Odložite iskorišteno motorno ulje i posude na način koji je kompatibilan s okolišem. Predlažemo da ga u zatvorenom spremniku odnesete u lokalni centar za reciklažu ili servisnu stanicu na povrat. Nemojte ga bacati u smeće, sipati na zemlju ili sipati u odvod.

JAMSTVO

Ovaj proizvod je pod jamstvom u skladu sa pravnim/specifičnim propisima zemlje, koji su na snazi od datuma kupnje od strane prvog korisnika. Oštećenja koja se mogu pripisati normalnom trošenju, preopterećenju ili nepravilnom rukovanju bit će isključena iz jamstva. U slučaju reklamacije, pošaljite stroj, potpuno sastavljen, svom prodavaču ili službenom servisu.

ROMÂNĂ

AVERTIZĂRI GENERALE DE SIGURANȚĂ

Citiți și înțelegeți acest manual de utilizare înainte de a utiliza acest produs. Puteți ajuta la prevenirea accidentelor prin familiarizarea cu comenzile produsului dvs. și prin respectarea procedurilor de operare în siguranță și a semnelor de siguranță. Folosește-ți întotdeauna bunul simț pentru a evita toate situațiile considerate peste capacitatea ta. Nu utilizați când sunteți obosit sau sub influența drogurilor, alcoolului sau a oricăror alte medicamente. Țineți trecătorii și animalele care ar putea fi rănite, precum și obiectele care ar putea fi deteriorate, departe în timpul funcționării. Nu permiteți niciodată copiilor sau persoanelor care nu sunt familiarizate cu aceste instrucțiuni să folosească produsul. Legile locale pot restricționa vârsta minimă a operatorului. Rețineți că operatorul sau utilizatorul este responsabil pentru accidente sau evenimente neașteptate care au loc asupra altor persoane, animale sau proprietăți ale acestora. Nu expuneți produsul la umiditate excesivă, praf, murdărie sau vapori corozivi. Nu montați echipamente sau accesorii pe mașină neprevăzute sau aprobate de producător. Nu încercați niciodată să modificați produsul. Modificările sau accesoriile neautorizate pot duce la vătămări corporale grave sau moartea operatorului sau a altor persoane. Consultați dealerul dumneavoastră autorizat pentru dezamblare și service, care nu sunt tratate în acest manual. Dacă ceva se rupe sau are loc un accident în timpul lucrului, opriți imediat mașina și îndepărtați-o pentru a preveni deteriorarea ulterioară. În cazul în care un corp străin a pătruns în mașină, opriți-l imediat, verificați-l pentru orice deteriorare și efectuați reparații înainte de a-l porni din nou.

ECHIPAMENT DE PROTECȚIE

Asigurați-vă că utilizați echipament de protecție adecvat și certificat atunci când utilizați unitatea. Purtați întotdeauna îmbrăcămintă care nu împiedică mișcările, mănuși de protecție, ochelari de protecție, respirator cu semi-mască, protecție pentru urechi și cizme de siguranță antiforfecare cu tălpi antiderapante. Nu purtați niciodată eșarfe, coliere sau orice accesorii și îmbrăcămintă care s-ar putea prinde în mașină. Legați-vă părul dacă este lung.

PERICOLE DE OTRAVĂ

Operați numai în aer liber și în zone bine ventilate. Când funcționează, motorul evacuează monoxid de carbon otrăvitor, un gaz inodor și incolor. Inhalarea monoxidului de carbon va provoca greață, leșin sau moarte. Nu utilizați mașina într-un spațiu închis în care se pot dezvolta vapori periculoși de monoxid de carbon sau lângă ferestre deschise.

Combustibilul și uleiul sunt extrem de toxice. Nu inhalați gazele de evaporare a combustibilului și purtați întotdeauna echipament de protecție adecvat atunci când le manipulați. Depozitați întotdeauna combustibilul și uleiul în recipiente aprobate și aruncați-le în mod responsabil.

PERICOLE DE INCENDI ȘI ARSURI

Combustibilul și uleiul sunt inflamabile. Urmați instrucțiunile furnizate de fiecare producător înainte de utilizare. Sursele potențiale de foc sau scânteii trebuie ținute la distanță în orice moment. Nu fumați în apropierea mașinii sau a oricărui combustibil și ulei. Alimentați numai în aer liber, într-o zonă bine ventilată, cu motorul oprit. Deschideți încet rezervorul de combustibil pentru a permite presiunii din interior să scadă treptat. Nu umpleți excesiv rezervorul de combustibil. Asigurați-vă că există o anumită distanță între orice rezervor de benzină de rezervă și unitate, pentru a preveni pericolele inutile. Asigurați-vă că orice combustibil și ulei vărsat au fost șters înainte de a porni motorul.

Unele părți ale mașinii se încălzesc suficient pentru a aprinde materiale inflamabile. Nu utilizați în zone cu risc ridicat de incendiu. Nu îndreptați amortizorul și, prin urmare, gazele de eșapament spre materiale inflamabile.

Dacă apare un incendiu, utilizați un stingător adecvat special conceput pentru incendiu cu ulei și benzină.

Unele părți ale mașinii se încălzesc suficient pentru a provoca arsuri. Acordați atenție să nu le atingeți pentru a nu vă arde. Lăsați mașina să se răcească înainte de a o depozita.

CATEGORIA AVERTIZĂRI DE SIGURANȚĂ

OPERAREA SIGURANTA

Toate părțile operaționale ale mașinii trebuie să se deplaseze cu ușurință dintr-o poziție în alta și nu trebuie să fie forțate. Cablurile electrice și cablul bujiilor trebuie să fie în stare perfectă pentru a evita generarea oricărui scânteii. Capacul bujiei trebuie montat corect pe bujie. Mănerile și dispozitivele de protecție trebuie să fie curate și uscate, precum și fixate bine pe mașină. Verificați întotdeauna dacă există obiecte care ar putea bloca sita de admisie a aerului înainte de a începe lucrul. O admisie de aer înfundată reduce performanța mașinii și crește temperatura de lucru a motorului, ceea ce poate duce la defecțiunea motorului.

Asigurați-vă că opriți mașina:

- ▶ La montarea sau demontarea accesoriilor.
- ▶ Ori de câte ori lăsați aparatul nesupravegheat.
- ▶ În timpul realimentării.
- ▶ În timpul curățării sau întreținerii.
- ▶ Când vă deplasați între zonele de lucru.
- ▶ În timpul transportului.
- ▶ Înainte de depozitare.

PERICOLE CU ELECTRICITATE

Asigurați-vă că prizele electrice ale mașinii și cablurile și ștecherile care sunt conectate la acesta sunt în stare bună și nu sunt udate. Nu utilizați niciodată o mașină deteriorată sau o mașină cu cabluri și ștecheri electrice deteriorate sau udate. Nu expuneți mașina și cablurile electrice la condiții umede și nu atingeți niciodată când sunt ude. Utilizați contactul cu pământul. Nu intrați în contact cu suprafețe împământate sau cabluri electrice, pentru a evita riscul de electrocutare. Nu folosiți

cablul pentru a scoate ștecherul din priză. Conduceți întotdeauna cablul de alimentare departe de partea din spate a mașinii și protejați-l de căldură, ulei și obiecte ascuțite. Când mașina urmează să fie utilizată în aer liber, utilizați numai prelungitoare destinate utilizării în exterior. Secțiunea transversală a oricărui cablu prelungitor trebuie să măsoare cel puțin 1,5 mm2, iar conexiunea la rețea trebuie protejată de o siguranță adecvată.

PERICOLE PENTRU PIESE ROTATIVE

Piese rotative pot provoca vătămări grave. Evitați contactul cu piesele rotative când acestea sunt încă în rotație.

PERICOLE DE ZGOMOT ȘI VIBRAȚII

Nivelurile de zgomot și vibrații indicate în aceste instrucțiuni sunt nivelurile maxime de utilizare a mașinii. Întreținerea insuficientă are un impact semnificativ asupra vibrațiilor și emisiilor de zgomot. În consecință, este necesar să se ia măsuri preventive pentru a elimina eventualele daune datorate nivelurilor ridicate de zgomot și stres cauzat de vibrații. Întreține bine mașina, purtați dispozitive de protecție pentru urechi, mănuși anti-vibrații și luați pauze în timpul lucrului. În timpul unei zile de lucru, trebuie să faceți pauze frecvente și adecvate pentru a preveni deteriorarea cauzată de vibrații și deteriorarea urechilor.

PERICOLE ZONA DE LUCRU

Inspectați cu atenție întreaga zonă de lucru și îndepărtați orice ar putea fi o sursă periculoasă sau poate cauza deteriorarea mașinii. Verificați dacă nu există trecători, animale sau obiecte care ar putea fi deteriorate în raza de acțiune a mașinii.

Lucrați numai în timpul zilei sau cu lumină artificială adecvată, în condiții bune de vizibilitate. Încercați să nu provocați nicio perturbare de zgomot, utilizând acest aparat numai la ore rezonabile ale zilei. Luați o poziție fermă și bine echilibrată. Acolo unde este posibil, evitați lucrul pe teren umed, alunecos sau, în orice caz, pe teren denivelat sau abrupt care nu garantează stabilitate pentru operator sau condiții de funcționare adecvate pentru mașină.

Utilizați mașina într-un spațiu liber, departe de obiectele sau pereții din jur pentru a garanta funcționarea în siguranță și circulația curată a aerului pentru admisie.

PERICOLE RĂMASE

Mașina a fost construită folosind tehnologie modernă și în conformitate cu regulile de siguranță recunoscute. Chiar și atunci când toate măsurile de siguranță sunt în vigoare, unele pericole rămase, care nu sunt încă evidente, pot fi prezente. Operatorul trebuie să folosească bunul simț și să ia măsurile de precauție necesare pentru a evita riscurile din cauza pericolelor rămase.

SPECIFICAȚIILE PRODUSULUI

UTILIZAREA PREVĂZUTĂ

Acestă mașină este proiectată și fabricată pentru a furniza energie electrică în zonele în care energia

de utilitate este indisponibilă sau nesigură.
Orice altă utilizare diferită de cele menționate mai sus poate fi periculoasă, poate dăuna oamenilor și poate deteriora lucrurile și mașina în sine.

UTILIZARE NEPRODUTĂ

Mașina nu trebuie utilizată pentru alimentarea altor aparate decât cele pentru care este destinată conform specificațiilor sale.

Alte exemple de utilizare necorespunzătoare pot include, dar nu se limitează la, funcționarea mașinii:

- ▶ Fara accesoriile originale furnizate de producător.
- ▶ Cu accesorii originale, dar într-un mod neconform cu instrucțiunile.
- ▶ Fara piese de schimb originale.
- ▶ Cu modificări neautorizate.

În conformitate cu legile aplicabile privind răspunderea pentru produse, producătorul dispozitivului nu își asumă răspunderea pentru daunele aduse produsului sau daunele cauzate de produs care apar din cauza:

- ▶ Manipularea necorespunzătoare nu a respectat instrucțiunile de utilizare.
- ▶ Reparații efectuate de terți și nu de către tehnicieni de service autorizați.
- ▶ Instalarea pieselor de schimb neoriginale.
- ▶ Utilizare neintenționată.
- ▶ Defecțiunea sistemului electric din cauza funcționării mașinii într-un mod neconform cu reglementările electrice și VDE.

DATE TEHNICE PAGINA 72

IDENTIFICARE (FIG. 1)

1. Ieșire AC
2. Borna de masă
3. Baterie
4. Joja de ulei
5. Întrerupător principal
6. Starter cu recul
7. Supapa de combustibil
8. Purificator de aer
9. Maneta de sufocare
10. Rezervor de combustibil
11. Capac rezervor combustibil
12. Voltmetru
13. Protecție termică AC

OPERAȚIUNE

PREOPERARE

Dezambalarea și finalizarea ansamblului trebuie efectuate pe o suprafață plană și stabilă, cu spațiu suficient pentru deplasarea mașinii și a ambalajului acestuia, folosind întotdeauna echipamente adecvate. Asamblarea trebuie efectuată de personal instruit la cel mai apropiat magazin dealer, dacă este necesar.

Alimentare și lubrifiere

AVERTIZARE

Mașina se livrează fără ulei și combustibil.

Acest produs este echipat cu un motor în 4 timpi, ceea ce înseamnă că benzina trebuie utilizată în rezervorul de combustibil, iar motorul trebuie umplut cu ulei.

Specificații combustibil: Benzină fără plumb sau 90 octan mai mare.

Capacitatea rezervorului de combustibil: Consultați „TABELUL DE DATE TEHNICE”

Pentru a umple mașina cu combustibil (Fig. 2):

1. Scoateți capacul rezervorului de combustibil.
2. Adăugați combustibil la nivelul superior al rezervorului de combustibil. Lăsați un spațiu de minim 5 mm între partea superioară a combustibilului și marginea interioară a rezervorului pentru a permite expansiunea. Jumătate din lungimea filtrului capacului rezervorului de combustibil poate funcționa și ca indicator al nivelului de combustibil superior, acolo unde este disponibil.
3. Repoziționați capacul rezervorului de combustibil și strângeți corespunzător.

AVERTIZARE

Utilizați întotdeauna recipient curat pentru depozitarea combustibilului și nu folosiți combustibilul depozitat mai mult de o lună.

Specificații ulei: Pentru uz general (5°C - 38°C) uleiul recomandat este ulei de motor în 4 timpi SAE 15W40 (Fig. 3).

Capacitatea uleiului de motor: Consultați „TABELUL DE DATE TEHNICE”

Pentru a umple motorul cu ulei:

1. Scoateți capacul de umplere a uleiului (Fig. 4.1) de la gâtul de umplere a uleiului de motor (Fig. 4.2). Partea de jos a acestuia este indicatorul nivelului de ulei.
2. Adăugați treptat suficient ulei pentru a aduce nivelul uleiului la buza gâtului de umplere cu ulei, până la nivelul superior (Fig. 4.3) și nu mai jos decât nivelul inferior (Fig. 4.4).
3. Repoziționați capacul de umplere cu ulei și strângeți corespunzător.

AVERTIZARE

Folosiți o pălnie pentru a evita vărsarea de combustibil sau ulei. Ștergeți orice combustibil și ulei vărsați înainte de a porni motorul.

Pentru conectarea bateriei, se aplică numai modelelor cu pornire electrică:

1. Deschide panoul bateriei.
2. Scoateți bateria din poziția sa.
3. Conectați cablul pozitiv (roșu) la polul pozitiv al bateriei.
4. Conectați negativul pozitiv (negru) la polul negativ al bateriei.
5. Repoziționați bateria și panoul acesteia.

PORNIREA UNITĂȚII

Înainte de a porni mașina:

- ▶ Asigurați-vă că atât mașina, cât și dumneavoastră vă aflați pe un teren stabil.
- ▶ Verificați dacă toate elementele de fixare sunt fixate în poziție.
- ▶ Deconectați toate sarcinile electrice de la generator. Nu porniți sau oprți niciodată generatorul cu dispozitivele electrice conectate sau pornite.
- ▶ Verificați dacă filtrul de aer este curat și că admisia și evacuarea aerului nu sunt înfundate de materiale străine.
- ▶ Umpleți cu cantitatea necesară de ulei și combustibil.

Pentru a porni mașina:

1. Deschideți supapa de combustibil, situată pe partea inferioară a rezervorului de combustibil.
2. Deplasați maneta de șoc (Fig. 5) în poziția „Șoc”.

NOTĂ

Acest pas se aplică numai pornirii la rece a motorului. Când motorul este deja cald sau temperatura mediei este ridicată, maneta șocului trebuie să rămână în poziția „RUN” în orice moment.

3. Prindeți ferm mânerul mașinii cu mâna stângă și mânerul demarorului (Fig. 6.2) al motorului cu mâna dreaptă. Trageți de mânerul demarorului până când simțiți rezistență pentru a cupla motorul și apoi trageți ferm pentru a porni motorul.

AVERTIZARE

Pentru a evita ruperea cablului de pornire (Fig. 6.1), nu trageți pe toată lungimea acestuia și nu lăsați-l să alunece de-a lungul marginii orificiului de ghidare a cablului. Eliberați demarorul treptat, pentru a evita să-l lăsați să zboare înapoi necontrolat.

NOTĂ:

Pentru mașinile cu aprindere electrică, puteți folosi comutatorul de aprindere, apăsând-l scurt până la pornirea motorului.

4. Pe măsură ce motorul se încălzește, mutați maneta de șoc în poziția „RUN”, dacă motorul a fost pornit la rece.

NOTĂ

Pentru performanță și fiabilitate maxime, lăsați motorul să se încălzească înainte de a funcționa la sarcină maximă, rulându-l timp de două până la trei minute la ralanti.

INTRERUPĂTOR PRINCIPAL

- ▶OPRIT: Circuitul de aprindere este oprit. Motorul nu va porni.
- ▶ON: Circuitul de aprindere este pornit. Motorul poate merge.

Senzor ulei scăzut

Când nivelul uleiului scade sub nivelul inferior, senzorul de ulei scăzut este cuplat și apoi motorul se oprește automat. Dacă nu umpleți cu ulei, motorul nu va porni din nou.

PROTECȚIE TERMALĂ

Protecția termică este activată atunci când este detectată o suprasarcină a unui dispozitiv electric conectat. oprirea producerii de energie pentru a proteja generatorul și orice dispozitive electrice conectate. Când protecția termică se aprinde și generarea de energie se oprește, procedați după cum urmează:

1. Opriți orice dispozitiv electric conectat și opriți motorul.
2. Reduceți puterea totală a dispozitivelor electrice conectate în limitele puterii nominale.
3. Verificați dacă există blocaje la admisia aerului de răcire și în jurul unității de control. Dacă se găsesc blocaje, îndepărtați-le.
4. Porniți protectorul apăsând-o înapoi în poziție.
5. După verificare, reporniți motorul.

AVERTIZARE

Dacă protecția termică se cuplează din nou, opriți imediat utilizarea dispozitivului și consultați distribuitorul autorizat al companiei noastre.

TERMINAL LA SOL

Borna de împământare conectează linia de împământare pentru prevenirea șocurilor electrice. Când dispozitivul electric este împământat, generatorul trebuie să fie întotdeauna împământat. Pentru a preveni șocurile electrice din cauza aparatelor electrice defectuoase sau a utilizării greșite a electricității, generatorul trebuie să fie împământat cu un conductor izolat de bună calitate.

OPRIREA UNITĂȚII

Pentru a opri mașina:

1. Opriți și deconectați toate sarcinile electrice.

AVERTIZARE

Nu porniți sau opriți niciodată generatorul cu dispozitive electrice conectate sau pornite.

2. Lăsați generatorul să funcționeze fără sarcină timp de câteva minute, pentru a stabili temperaturile interne ale motorului și ale generatorului.
3. Rotiți întrerupătorul principal în poziția „OPRIT”. Circuitul de aprindere este pornit.
4. Închideți supapa de combustibil.

ÎNTREȚINERE ȘI CURĂȚARE**AVERTIZARE**

Nu efectuați niciodată întreținere sau curățare cu unitatea în funcțiune. Lucrați întotdeauna la o unitate rece. Înainte de a curăța sau de a efectua lucrări de întreținere, deconectați capacul bujiilor și citiți instrucțiunile relevante. Purtați întotdeauna îmbrăcăminte adecvată și mănuși de protecție ori de câte ori aveți mâinile în pericol.

Orice ajustări sau operațiuni de întreținere care nu sunt descrise în acest manual trebuie efectuate de către Dealerul dumneavoastră sau un centru de service specializat, cu cunoștințele și echipamentele necesare pentru a se asigura că lucrările sunt efectuate corect, menținând nivelul de siguranță inițial al mașinii. Orice operațiuni efectuate în centre neautorizate sau de către persoane necalificate vor invalida total Garanția și toate obligațiile și responsabilitățile Producătorului.

Păstrați toate piulițele și șuruburile strânse pentru a vă asigura că mașina este întotdeauna în stare de funcționare sigură. Întreținerea de rutină este esențială pentru siguranță și pentru menținerea unui nivel ridicat de performanță.

AVERTIZARE

Nu utilizați niciodată mașina cu piese uzate sau deteriorate. Piesele defecte sau uzate trebuie întotdeauna înlocuite și nu reparate. Folosiți numai piese de schimb originale.

PROGRAM DE INTRETINERE

Articole		Frecvență				
		Before each use	După prima lună sau primele 20 de ore de funcționare	La fiecare 3 luni sau 50 de ore de funcționare	La fiecare 12 luni sau 100 de ore de funcționare	La fiecare 24 de luni sau 250 de ore de funcționare
Unitate completă	Inspectie vizuala	✓				
Manere de control	Verificați funcționarea	✓				
Distactor de scântei (dacă este disponibil)	Verifica			✓*		
Ulei de motor	Verificare-Reumplere	✓				
Filtru de aer	A înlocui		✓	✓		
	Verifica	✓				
	Curat		✓			
Bujie	A înlocui			✓		
	Verificare - Ajustare		✓		✓*	
Linia de combustibil și filtrul	Verificați - Curățați **				✓*	
Rezervor de combustibil	Verificați - Curățați **					✓*
Cupa de depozit (dacă este disponibilă)	Curat		✓	✓		
Jocul supra-pelor	Verificare - Ajustare **				✓	
Camera de ardere	Verificați - Curățați **					✓*

*Aceste articole ar trebui înlocuite dacă este necesar.

**Aceste operațiuni trebuie efectuate numai de un dealer autorizat, care dispune de unelte adecvate și de competența mecanică necesară.

ULEI DE MOTOR

AVERTIZARE

Verificarea nivelului și schimbarea uleiului trebuie făcute pe un teren solid și plan. Motorul trebuie oprit tot timpul. Dacă motorul ar fi funcționat, va fi fierbinte și procedura trebuie făcută cu grijă și cu precauțiile necesare pentru a evita pericolul de arsuri.

NOTĂ

Scurgeți uleiul uzat în timp ce motorul este cald. Uleiul cald se scurge rapid și complet.

Pentru a verifica nivelul uleiului:

1. Scoateți capacul de umplere a uleiului (Fig. 7.6) de la gâtul de umplere a uleiului de motor (Fig. 7.1).
2. Verificați nivelul uleiului. Nivelul uleiului trebuie să ajungă la buza (Fig. 7.7) a gâtului de umplere cu ulei. Dacă este necesar, adăugați suficient ulei pentru a aduce nivelul uleiului la buza gâtului de umplere cu ulei, până la nivelul superior și nu mai jos decât nivelul inferior.
3. Repoziționați capacul de umplere cu ulei și strângeți corespunzător.

Pentru a schimba uleiul:

1. Scoateți capacul de umplere a uleiului de la gâtul de umplere a uleiului de motor.
2. Puneți un recipient adecvat (Fig. 7.3) sub orificiul de scurgere a uleiului (Fig. 7.2) pentru a prinde uleiul uzat.
3. Scoateți dopul de golire a uleiului (Fig. 7.4) și șaiba (Fig. 7.5) pentru a permite uleiului să se scurgă complet.
4. Repoziționați dopul de golire a uleiului cu șaiba acestuia și strângeți corespunzător.
5. Adăugați treptat suficient ulei pentru a aduce nivelul uleiului la buza gâtului de umplere cu ulei, până la nivelul superior și nu mai jos decât nivelul inferior.
6. Repoziționați capacul de umplere cu ulei și strângeți corespunzător.

NOTĂ

Dacă motorul funcționează frecvent în condiții extreme de praf sau în alte circumstanțe severe, schimbați uleiul de motor la fiecare 25 de ore.

AVERTIZARE

Pornirea motorului va duce la un nivel scăzut de ulei va cauza deteriorarea motorului.

FILTRU DE AER

AVERTIZARE

Operarea motorului fără un filtru de aer sau cu un filtru de aer deteriorat va permite pătrunderea murdăriei în motor, provocând uzura rapidă a motorului.

Pentru a verifica, curăța sau schimba filtrul de aer:

1. Scoateți capacul filtrului de aer (Fig. 8.1).
2. Asigurați-vă că elementul filtrului de aer (Fig. 8.2) nu are murdărie și este în stare bună. Dacă este murdar, scoateți-l și curățați-l.
3. Pentru a curăța un element de filtru de aer cu spumă, spălați-l cu detergent de casă și apă fierbinte și lăsați-l să se usuce. Apoi înmuiați-l în ulei de motor curat saturat și stoarceți ușor excesul de ulei. Dacă este necesar, înlocuiți-l cu unul nou.

Pentru a curăța un element de filtru de aer din hârtie, curățați murdăria ușoară lipindu-l ușor de câteva ori pe o suprafață tare și înlocuiți-l dacă este prezentă murdărie grea.

4. Curățați interiorul carcasei filtrului de aer și acoperiți de murdărie cu o cârpă moale. Dacă motorul este echipat cu un filtru de aer tip baie de ulei, înlocuiți uleiul cu ulei de motor nou.
5. Reinstalați elementul filtrului de aer și urmați

procedura inversă pentru a pune la loc capacul filtrului de aer.

AVERTIZARE

Nu curățați niciodată filtrul de aer cu detergenți inflamabili sau cu punct de aprindere scăzut pentru a evita riscul de incendiu sau explozie.

NOTĂ

Dacă motorul funcționează frecvent în condiții de praf sau în alte circumstanțe severe, curățați filtrul de aer la fiecare 10 ore și adăugați-i schimbați uleiul cu nou. Dacă este necesar, schimbați elementul filtrului de aer la fiecare 25 de ore.

BUGIE

Pentru întreținerea bujiei (Fig. 9.4):

1. Scoateți capacul bujiei (Fig. 9.1) pentru a accesa bujia (Fig. 9.2).
2. Utilizați o unealtă adecvată pentru bujie (Fig. 9.3) pentru a scoate cu grijă bujia.
3. Verificați starea bujiei și a electrodului acesteia. Trebuie să fie curat și nu uzat. Verificați dacă distanța bujiilor este între 0,7 și 0,8 mm. Înlocuiți bujia cu una nouă, dacă este necesar.
4. Introduceți cu grijă bujia în motor cu mâna.
5. Odată filetat, utilizați unealta adecvată pentru bujie pentru a strânge bujia, acordând atenție să nu folosiți o forță excesivă care să afecteze filetele.
6. Reatașați capacul bujiilor.

AVERTIZARE

Nu permiteți niciodată pătrunderea murdăriei sau a resturilor în alezajul cilindrului. Înainte de a scoate bujia, curățați bine bujia și zona chiulasei.

CUPA DE SEDIMENTE DE COMBUSTIBIL

AVERTIZARE

Mențineți carburatorul de combustibil numai în aer liber și în zone bine ventilate.

Pentru a menține cupa de sedimente de combustibil:

1. Rotiți supapa de combustibil în poziția „OPRIT” (Fig. 10.1).
2. Scoateți cupa de sedimente a combustibilului din carburator (Fig. 10.1) cu inelul de etanșare din cauciuc (Fig. 10.1).
3. Spălați părțile îndepărtate în solvent, uscați-le bine.

AVERTIZARE

Nu curățați niciodată recipientul pentru sedimente de combustibil cu detergenți inflamabili sau cu punct de aprindere scăzut pentru a evita riscul de incendiu sau explozie.

4. Înlocuiți inelul de etanșare de cauciuc cu unul nou, dacă este necesar.
5. Reinstalați inelul de etanșare din cauciuc și cupa de sedimente și fixați-le în poziție.
6. Rotiți supapa de combustibil în poziția „ON” și verificați dacă există scurgeri de combustibil.

FILTRU DE COMBUSTIBIL

Rezervorul de combustibil poate fi echipat cu un filtru, în funcție de modelul motocultorului, situat la capacul rezervorului de combustibil. Filtrul de combustibil poate fi ales și trebuie verificat periodic. Dacă filtrul este murdar, curățați-l și înlocuiți-l cu unul nou când este necesar. În cazul în care interiorul

rezervorului de combustibil este murdar, acesta poate fi curățat prin clătirea rezervorului de combustibil cu benzină curată.

CURĂȚARE

Utilizați o perie moale mică pentru a curăța exteriorul unității. Nu utilizați detergenți puternici. Produsele de curățare de uz casnic care conțin uleiuri aromatice precum pinul și lămâia și solvenți precum kerosenul pot deteriora carcasa sau mânerul din plastic. Ștergeți orice umezeală cu o cârpă moale.

DEPOZITARE

AVERTIZARE

Nu depozitați niciodată unitatea cu combustibil în rezervor și lăsați întotdeauna unitatea să se răcească înainte de a o depozita. Depozitați unitatea numai în zone uscate și bine ventilate.

În cazul în care unitatea va fi depozitată pentru o perioadă lungă de timp, utilizați următoarea procedură de depozitare:

1. Goliiți tot combustibilul din rezervorul de combustibil.
2. Porniți motorul până când se oprește din cauza lipsei de combustibil.
3. Înlocuiți uleiul de motor cu nou.
4. Scoateți bujia și puneți 30 ml de ulei de motor de înaltă calitate în cilindru. Trageți încet cablul de pornire pentru a distribui uleiul și apoi reinstalați bujia.
5. Curățați temeinic unitatea și verificați dacă există piese slăbite sau deteriorate. Reparați sau înlocuiți piesele deteriorate și strângeți șuruburile, piulițele sau șuruburile slăbite.
6. Lubrifiați toate piesele necesare cu o cârpă umească cu ulei pentru a evita acumularea de rugină.

PROTECTIA MEDIULUI

Reciclați materiile prime în loc să le aruncați ca deșeuri. Mașina, accesoriile și ambalajele trebuie sortate pentru reciclare ecologică. Componentele din plastic sunt etichetate pentru reciclare clasificată.

Aruncați uleiul de motor uzat și recipientele într-un mod compatibil cu mediul înconjurător. Vă sugerăm să îl duceți într-un recipient sigilat la centrul local de reciclare sau la stația de service pentru recuperare. Nu-l aruncați la gunoi, nu îl turnați pe pământ și nici nu îl turnați pe un canal de scurgere.

GARANȚIE

Acest produs este garantat în conformitate cu reglementările legale / specifice țării, în vigoare de la data achiziției de către primul utilizator. Daunele cauzate de uzura normală, suprasarcină sau manipulare necorespunzătoare vor fi excluse din garanție. În cazul unei reclamații, vă rugăm să trimiteți mașina, complet asamblată, la distribuitorul dumneavoastră sau la centrul de service oficial.

MAGYAR

ÁLTALÁNOS BIZTONSÁGI FIGYELMEZTETÉSEK

A termék használata előtt olvassa el és értse meg ezt a használati útmutatót. Segíthet megelőzni a baleseteket, ha ismeri terméke kezelőszerveit, és betartja a biztonságos üzemeltetési eljárásokat és a biztonsági jelzéseket. Mindig használja a józan eszét, hogy elkerüljön minden olyan helyzetet, amely meghaladja képességeit. Ne használja, ha fáradt vagy kábítószert, alkoholt vagy bármilyen más gyógyszer hatása alatt áll. Működés közben tartsa távol a szemlédőket és az állatokat, amelyek megsérülhetnek, valamint azokat a tárgyakat, amelyek megsérülhetnek. Soha ne engedje, hogy gyermekek vagy olyan személyek használják a terméket, akik nem ismerik ezeket az utasításokat. A helyi törvények korlátozhatják az üzemeltető alsó korhatárát. Ne feledje, hogy az üzemeltető vagy a felhasználó felelős a más embereket, állatokat vagy azok tulajdonát érintő balesetekért vagy váratlan eseményekért. Ne tegye ki a terméket túlzott nedvességnek, pornak, szennyeződésnek vagy korrozív gőznek. Ne szereljen a gépre olyan berendezéseket vagy tartozékokat, amelyek a gyártó nem tervezett vagy nem hagyott jóvá. Soha ne kísérelje meg módosítani a terméket. A nem engedélyezett módosítások vagy tartozékok súlyos személyi sérülést vagy a kezelő vagy mások halálát okozhatják. A jelen kézikönyvben nem szereplő szerszereléssel és szervizeléssel kapcsolatban forduljon hivatalos forgalmazójához. Ha munka közben valami eltörik vagy baleset történik, azonnal kapcsolja ki a gépet és vigye el, hogy elkerülje a további károsodást. Ha idegen test került a gépbe, azonnal állítsa le, ellenőrizze, hogy nem sérült-e, és javítsa meg, mielőtt újraindítaná.

VÉDŐ FELSZERELÉS

Ügyeljen arra, hogy megfelelő és minősített védőfelszerelést használjon az egység működtetése során. Mindig viseljen mozgást nem akadályozó ruházatot, védőkesztyűt, védőszemüveget, félélarcos légzőkészüléket, fülvédőt és csúszásmentes talpú, nyírásgátló biztonsági csizmát. Soha ne viseljen sálát, nyakláncot vagy bármilyen lógó vagy csapódó kiegészítőt és ruhát, amely beakadhat a gépbe. Kösse fel a haját, ha hosszú.

MÉRGEZÉSI VESZÉLYEK

Csak a szabadban és jól szellőző helyen működtesse. Működés közben a motor mérgező szén-monoxidot, szagtalan és színtelen gázt bocsát ki. A szén-monoxid belélegzése hányingert, ájulást vagy halált okozhat. Ne működtesse a gépet zárt térben, ahol veszélyes szén-monoxid gőzök keletkezhetnek, vagy nyitott ablakok közelében.

Az üzemanyag és az olaj rendkívül mérgező. Ne lélegezze be az üzemanyag párolgó gázait, és mindig viseljen megfelelő védőfelszerelést, amikor kezeli őket. Az üzemanyagot és az olajat mindig jóváhagyott tartályokban tárolja, és felelősen ártalmatlanítsa.

TŰZ- ÉS ÉGÉSI VESZÉLYEK

Az üzemanyag és az olaj gyúlékony. Használat előtt kövesse az egyes gyártók utasításait. Az esetleges tűz- vagy szikraforrásokat mindig távol kell tartani. Ne dohányozzon a gép, illetve üzemanyag és olaj közelében. Csak a szabadban tankoljon, jól szellőző helyen, leállított motor mellett. Lassan nyissa ki az üzemanyagtartályt, hogy a belső nyomás fokozatosan csökkenjen. Ne töltse túl az üzemanyag-tartályt. Győződjön meg arról, hogy a tartalék benzintartály és az egység között van némi távolság, hogy elkerülje a szükségtelen veszélyeket. A motor beindítása előtt győződjön meg arról, hogy minden kiömlött üzemanyagot és olajat letörölt.

A gép egyes részei eléggé felforrósodnak ahhoz, hogy meggyújtják a gyúlékony anyagokat. Ne használja magas tűzveszélyes területeken. Ne irányítsa a hangtompítót és így a kipufogógázt gyúlékony anyagok felé.

Tűz esetén használjon megfelelő tűzoltó készüléket, amelyet kifejezetten olaj- és benzintűzre terveztek.

A gép egyes részei eléggé felforrósodnak ahhoz, hogy égési sérülést okozzanak. Ügyeljen arra, hogy ne érintse meg őket, hogy elkerülje az égési sérülést. Tárolás előtt hagyja kihűlni a gépet.

KATEGÓRIA BIZTONSÁGI FIGYELMEZTETÉSEK

BIZTONSÁGOS MŰKÖDÉS

A gép összes működtető karjának könnyen kell mozognia egyik helyzetből a másikba, és nem kell erőltetni. A szikraképződés elkerülése érdekében az elektromos kábeleknek és a gyújtógyertya-kábelnek tökéletes állapotban kell lenniük. A gyújtógyertya sapkáját megfelelően fel kell szerelni a gyújtógyertyára. A fogantyúknak és a védőeszközöknek tisztának és száraznak kell lenniük, valamint biztonságosan kell rögzíteni a géphez.

A munka megkezdése előtt mindig ellenőrizze, hogy nincsenek-e olyan tárgyak, amelyek elzárhatják a levegőbemeneti szűrőt. Az eltömődött légbemlő csökkenti a gép teljesítményét és növeli a motor üzemi hőmérsékletét, ami a motor meghibásodásához vezethet.

Ügyeljen arra, hogy leállítsa a gépet:

- ▶ Tartozékok felszerelésekor vagy eltávolításakor.
- ▶ Amikor felügyelet nélkül hagyja a gépet.
- ▶ Tankolás közben.
- ▶ Tisztítás vagy karbantartás közben.
- ▶ Munkaterületek közötti mozgáskor.
- ▶ Szállítás közben.
- ▶ Tárolás előtt.

ELEKTROMOS VESZÉLYEK

Győződjön meg arról, hogy a gép elektromos aljzatai, valamint a hozzá csatlakoztatott kábelek és csatlakozók jó állapotban vannak és nem kopottak. Soha ne használjon sérült gépet, vagy olyan gépet, amelynek elektromos kábelelei és csatlakozói sérültek vagy elhasználódtak. Ne tegye ki a gépet és az elektromos kábeleket nedves körülményeknek, és soha ne érintse meg, ha nedves. Használja a földelő érintkezőt. Az

áramütés veszélyének elkerülése érdekében ne érintkezzen földelt felületekkel vagy elektromos kábelekkel. Ne a kábellel húzza ki a konnektorból. A tápkábelt mindig távolítsa el a gép hátuljától, és óvja a hőtől, olajtól és éles tárgyaktól. Ha a gépet kültéren kívánja használni, csak kültéri használatra szánt hosszabbítót használjon. Bármely hosszabbító kábel keresztmetszetének legalább 1,5 mm²-nek kell lennie, és a hálózati csatlakozást megfelelő biztosítékkal kell védeni.

A FORGÓ ALKATRÉSZEK VESZÉLYEI

A forgó alkatrészek súlyos sérüléseket okozhatnak. Kerülje a forgó alkatrészek érintkezését, amikor azok még forognak.

ZAJ ÉS REZGÉSVESZÉLY

Az ebben az útmutatóban feltüntetett zaj- és rezgésszintek a gép használatának maximális szintjei. A nem megfelelő karbantartás jelentős hatással van a rezgés- és zajkibocsátásra. Következésképpen megelőző lépéseket kell tenni a magas zajszint és a vibrációból eredő terhelés miatti esetleges káros kiküszöbölésére. Gondosan karbantartsa a gépet, viseljen fülvédőt, rezgéscsillapító kesztyűt és tartson szüneteket a munkavégzés során. Munkanapokon gyakori és megfelelő szüneteket kell tartania, hogy elkerülje a vibráció okozta károsodást és a fülkárosodást.

A MUNKATERÜLET VESZÉLYEI

Alaposan ellenőrizze az egész munkaterületet, és távolítsa el mindent, ami veszélyes forrás lehet, vagy kárt okozhat a gépben. Ellenőrizze, hogy nincsenek-e kívülről állatok vagy tárgyak, amelyek megsérülhetnek a gép működési tartományában.

Csak nappali fényben vagy megfelelő mesterséges megvilágítás mellett, jó látási viszonyok között dolgozzon. Törekedjen arra, hogy ne okozzon zajt, csak a nap ésszerű időszakában használja a gépet. Vegyen fel szilárd és kiegyensúlyozott pozíciót. Lehetőség szerint kerülje a nedves, csúszós talajon végzett munkát, vagy minden esetben egyenetlen vagy meredek talajon, amely nem garantálja a stabilitást a kezelő számára vagy a gép megfelelő működési feltételeit.

Működtesse a gépet szabad helyen, távol a környező tárgyaktól vagy falaktól, hogy garantálja a biztonságos működést és a tiszta levegő keringését a beömlőnyílásnál.

FENNTARTÓ VESZÉLYEK

A gépet modern technológiával és az elismert biztonsági szabályok betartásával építették. Még akkor is, ha minden biztonsági intézkedés megvan, jelen lehet néhány fennmaradó, még nem nyilvánvaló veszély. A kezelőnek józan eszét kell követnie, és meg kell tennie a szükséges óvintézkedéseket a fennmaradó veszélyek miatti kockázatok elkerülése érdekében.

TERMÉKLEÍRÁS

RENDELTELTÉSSZERŰ HASZNÁLAT

Ezt a gépet úgy tervezték és gyártották, hogy elektromos áramot biztosítson olyan területeken, ahol nem elérhető vagy nem megbízható.

A fent említettektől eltérő bármely más használat veszélyes lehet, embereket károsíthat, kárt tehet a dolgokban és magában a gépben.

HELYTELEN HASZNÁLAT

A gépet tilos olyan készülékek áramellátására használni, amelyek a specifikációi szerint készültek. A helytelen használat egyéb példái közé tartozhat, de nem kizárólagosan, a gép üzemeltetése:

- ▶ A gyártó által szállított eredeti tartozékok nélkül.
 - ▶ Eredeti tartozékokkal, de a használati utasításnak nem megfelelő módon.
 - ▶ Eredeti alkatrészek nélkül.
 - ▶ Engedély nélküli módosításokkal.
- A hatályos termékfelelősségi törvények értelmében a készülék gyártója nem vállal felelősséget a termékben bekövetkezett vagy a termék által okozott károkért, amelyek az alábbiak miatt következnek be:

- ▶ A szakszerűtlen kezelés nem tartotta be a használati utasítást.
- ▶ Harmadik felek, nem pedig felhatalmazott szerviztechnikusok által végzett javítások.
- ▶ Nem eredeti alkatrészek beszerelése.
- ▶ Nem rendeltetésszerű használat.
- ▶ Elektromos rendszer meghibásodása a gép elektromos és VDE előírásoknak nem megfelelő működése miatt.

MŰSZAKI ADATOK 74. OLDAL

AZONOSÍTÁS (1. ÁBRA)

1. AC kimenet
2. Földi terminál
3. Akkumulátor
4. Olaj nívópálca
5. Főkapcsoló
6. Visszacsapó indító
7. Üzemanyag szelep
8. Légtisztító
9. Fojtó kar
10. Üzemanyag tartály
11. Üzemanyagtartály sapka
12. Voltmérő
13. AC hővédelem

MŰVELET

ELŐMŰVELET

A kicsomagolást és az összeszerelést sík és stabil felületen kell végezni, elegendő hely legyen a gép és a csomagolás mozgatásához, mindig megfelelő felszerelést használva. Az összeszerelést szükség esetén szakképzett személyzetnek kell elvégeznie a legközelebbi kereskedőnél.

Tankolás és kenés

FIGYELEM

A gépet olaj és üzemanyag nélkül szállítjuk.

Ez a termék 4 ütemű motorral van felszerelve, ami

azt jelenti, hogy benzint kell használni az üzemanyagtartályban, és a motort fel kell tölteni olajjal. Üzemanyag jellemzők: ólommentes benzín vagy 90-nél magasabb oktánszámú.

Üzemanyagtartály térfogata: Lásd a „TECHNIKAI ADATOK TÁBLÁZAT” című részt.

A gép üzemanyaggal való feltöltéséhez (2. ábra):

1. Távolítsa el az üzemanyagtartály sapkáját.
2. Töltsön üzemanyagot az üzemanyagtartály felső szintjéhez. Hagyjon legalább 5 mm helyet az üzemanyag teteje és a tartály belső széle között, hogy lehetővé tegye a tágulást. Az üzemanyagtartály fedelének szűrőjének fele a felső üzemanyagszint jelzőjeként is működhet, ha rendelkezésre áll.
3. Helyezze vissza az üzemanyagtartály sapkáját és húzza meg megfelelően.

FIGYELEM

Az üzemanyag tárolására mindig tiszta edényt használjon, és ne használjon egy hónapnál tovább tárolt üzemanyagot.

Olajspecifikációk: Általános használatra (5°C - 38°C) az ajánlott olaj a SAE 15W40 négyütemű motorolaj (3. ábra).

Motorolaj úrtartalom: Lásd a „MŰSZAKI ADATOK TÁBLÁZAT” című részt.

A motor olajjal való feltöltése:

1. Távolítsa el az olajbetöltő sapkát (4.1. ábra) a motorolaj betöltőnyílásáról (4.2. ábra). Az alsó része az olajsintjelző.
2. Fokozatosan adjon hozzá annyi olajat, hogy az olajsint elérje az olajbetöltőcsonc peremét, egészen a felső szintig (4.3. ábra), és ne legyen alacsonyabb, mint az alsó szint (4.4. ábra).
3. Helyezze vissza az olajbetöltő sapkát, és húzza meg megfelelően.

FIGYELEM

Használjon tölséért, hogy elkerülje az üzemanyag vagy az olaj kiömlését. A motor beindítása előtt törölje le a kiömlött üzemanyagot és olajat.

Az akkumulátor csatlakoztatása csak az elektromos indítással rendelkező modellekre vonatkozik:

1. Nyissa ki az akkumulátor fedelét.
2. Vegye ki az akkumulátort a helyéről.
3. Csatlakoztassa a pozitív (piros) kábelt az akkumulátor pozitív pólusához.
4. Csatlakoztassa a pozitív (fekete) negatívot az akkumulátor negatív pólusához.
5. Helyezze vissza az akkumulátort és a panelt.

AZ EGYSÉG INDÍTÁSA

A gép beindítása előtt:

- ▶ Győződjön meg arról, hogy a gép és Ön is stabil talajon áll.
- ▶ Ellenőrizze, hogy minden rögzítő rögzítve van-e.
- ▶ Válasszon le minden elektromos terhelést a generátorról. Soha ne indítsa be vagy állítsa le a generátort, ha elektromos készülékek csatlakoztatva vagy bekapcsolva vannak.
- ▶ Ellenőrizze, hogy a levegőszűrő tiszta-e, és hogy a levegő bemeneti és kipufogónyílását nem tömitette el semmilyen idegen anyag.
- ▶ Tölts fel a szükséges mennyiségű olajat és üzemanyagot.

A gép elindításához:

1. Nyissa ki az üzemanyagszelepet, amely az üzemanyagtartály alján található.

2. Állítsa a szívató kart (5. ábra) „CHOKE” állásba.

JEGYZET

Ez a lépés csak a motor hidegindítására vonatkozik. Ha a motor már meleg, vagy a környezeti hőmérséklet magas, a szívató karnak mindig „RUN” állásban kell maradnia.

3. Bal kezével erősen fogja meg a gép fogantyúját, jobb kezével pedig a motor indítómarkolatát (6.2. ábra). Húzza meg az indító markolatát, amíg ellenállást nem érez a motor bekapcsolásához, majd húzza meg határozottan a motor beindításához.

FIGYELEM

Az indítókötél (6.1. ábra) elszakadásának elkerülése érdekében ne húzza meg teljes hosszában, és ne hagyja, hogy a kábelvezető furat szélén csússzon. Fokozatosan engedje el az önindítót, nehogy ellenőrizhetetlenül visszarepüljön.

JEGYZET:

Elektromos gyújtású gépeknél használhatja helyette a gyújtáskapcsolót, röviden megnyomva, amíg a motor be nem indul.

4. Amikor a motor felmelegszik, állítsa a szívatókart „RUN” állásba, ha a motort hidegen indították.

JEGYZET

A maximális teljesítmény és megbízhatóság érdekében hagyja felmelegedni a motort, mielőtt teljes terhelésen működne, és járassa két-három percig alappáraton.

FŐKAPCSOLÓ

▶ OFF: A gyújtás áramkör ki van kapcsolva. A motor nem fog működni.

▶ BE: A gyújtás áramkör BE van kapcsolva. A motor járhat.

Alacsony olajsint érzékelő

Ha az olajsint az alsó szint alá esik, az alacsony olajsint érzékelő bekapcsol, majd a motor automatikusan leáll. Hacsak nem tölt fel olajat, a motor nem indul újra.

HŐVÉDELEM

A hővédelem bekapcsol, ha a csatlakoztatott elektromos eszköz túlterhelését észleli. az áramtermelés leállítását a generátor és a csatlakoztatott elektromos készülékek védelme érdekében. Amikor a hővédelem bekapcsol, és az áramtermelés leáll, a következők szerint járjon el:

1. Kapcsolja ki az összes csatlakoztatott elektromos készüléket, és állítsa le a motort.
2. Csökkentse a csatlakoztatott elektromos készülékek teljes teljesítményét a névleges teljesítményen belül.
3. Ellenőrizze, hogy nincs-e eltömődés a hűtőlevegő-bemenetben és a vezérlőegység környékén. Ha bármilyen eltömődést talál, távolítsa el.
4. Kapcsolja be a védőt úgy, hogy visszanyomja a helyére.
5. Az ellenőrzés után indítsa újra a motort.

FIGYELEM

Ha a hővédelem ismét bekapcsol, azonnal hagyja abba

a készülék használatát, és forduljon cégünk hivatalos forgalmazójához.

FÖLDI TERMINÁL

A földelési kapocs összeköti a földvezetékét az áramütés elkerülése érdekében. Ha az elektromos készüléket földelték, a generátort mindig földelni kell. A súlyos elektromos készülékek vagy a helytelen áramhasználat miatti áramütés elkerülése érdekében a generátort jó minőségű szigetelt vezetékkel kell földelni.

AZ EGYSÉG LEÁLLÍTÁSA

A gép leállításához:

1. Kapcsolja ki és húzza ki az összes elektromos terhelést.

FIGYELEM

Soha ne indítsa be vagy állítsa le a generátort, ha elektromos készülékek csatlakoztatva vagy bekapcsolva vannak.

2. Hagyja a generátort terhelés nélkül járni néhány percig, hogy stabilizálja a motor és a generátor belső hőmérsékletét.
3. Fordítsa a főkapcsolót „OFF” állásba. A gyújtás áramköre be van kapcsolva.
4. Kapcsolja el az üzemyangszelepet.

KARBANTARTÁS ÉS TISZTÍTÁS

FIGYELEM

Soha ne végezzen karbantartást vagy tisztítást működő egység mellett. Mindig hűvös egységen dolgozzon. Tisztítás vagy karbantartási munkák elvégzése előtt válassza le a gyújtógyertya sapkáját, és olvassa el a vonatkozó utasításokat. Mindig viseljen megfelelő ruházatot és védőkesztyűt, ha kezei veszélyben vannak.

Az ebben a kézikönyvben le nem írt beállításokat vagy karbantartási műveleteket a kereskedőnek vagy a szükséges ismeretekkel és felszereléssel rendelkező szakszerviznek kell elvégeznie annak biztosítására, hogy a munka megfelelően, a gép eredeti biztonsági szintjének megőrzése mellett történjen. A nem felhatalmazott központokban vagy szakképzetlen személyek által végzett bármely művelet teljes mértékben érvényteleníti a garanciát, valamint a gyártó minden kötelezettségét és felelősségét.

Minden anyát és csavart tartson szorosan, hogy a gép mindig biztonságos üzemállapotban legyen. A rendszeres karbantartás elengedhetetlen a biztonság és a magas teljesítményszint fenntartásához.

FIGYELEM

Soha ne használja a gépet kopott vagy sérült alkatrészekkel. A hibás vagy elhasználódott alkatrészeket mindig ki kell cserélni és nem javítani. Csak eredeti alkatrészeket használjon.

KARBANTARTÁSI ÜTEMTERV

Tételek		Frekvencia				
		Minden használat előtt	Az 1. hónap vagy az első 20 üzemóra után	3 havonta vagy 50 üzemóránként	12 havonta vagy 100 üzemóránként	24 havonta vagy 250 üzemóránként
Komplett egység	Szemrevételezés	√				
Vezérlő fogantyúk	Ellenőrizze a működést	√				
Szikrafogó (ha van)	Jelölje be			√*		
E motorolaj	Ellenőrzés - Újratöltés	√				
	Cserélje ki		√	√		
Légszűrő	Jelölje be	√				
	Tiszta		√			
	Cserélje ki			√		
Gyújtógyertya	Check - Állítsa be		√		√*	
Üzemyang vezeték és szűrő	Ellenőrzés - Tisztítás**				√*	
Üzemyang tartály	Ellenőrzés - Tisztítás**					√*
Betéti kupa (ha van)	Tiszta		√	√		
Szelephézag	Ellenőrzés - Beállítás**				√	
Égéskamra	Ellenőrzés - Tisztítás**					√*

* Ezeket az elemeket szükség esetén ki kell cserélni.
**Ezeket a műveleteket csak olyan hivatalos kereskedő végezheti el, aki rendelkezik a megfelelő szerszámokkal és a szükséges mechanikai jártassággal.

MOTOROLAJ

FIGYELEM

A szint ellenőrzését és az olajcserét szilárd és vízszintes talajon kell elvégezni. A motort mindig le kell állítani. Ha a motor járt volna, az forró lesz, és az eljárást óvatosan és a szükséges óvintézkedésekkel kell elvégezni az égési sérülések elkerülése érdekében.

JEGYZET

Engedje le a használt olajat, amíg a motor meleg. A meleg olaj gyorsan és teljesen kiürül.

Az olajszint ellenőrzéséhez:

1. Távolítsa el az olajbetöltő sapkát (7.6. ábra) a motorolaj-betöltőcsonkról (7.1. ábra).
2. Ellenőrizze az olajszintet. Az olajszintnek el kell érnie az olajbetöltő nyak peremét (7.7. ábra).

Ha szükséges, adjon hozzá annyi olajat, hogy az olajsint elérje az olajbetöltőcsont peremét, egészen a felső szintig, és ne legyen alacsonyabb, mint az alsó szint.

3. Helyezze vissza az olajbetöltő sapkát, és húzza meg megfelelően.

Az olajcsere:

1. Távolítsa el az olajbetöltő sapkát a motorolaj betöltőnyílásáról.
2. Helyezzen egy megfelelő edényt (7.3. ábra) az olajleeresztő nyílás alá (7.2. ábra), hogy felfogja a használt olajat.
3. Távolítsa el az olajleeresztő csavart (7.4. ábra) és az alátétet (7.5. ábra), hogy az olaj teljesen kifolyjon.
4. Helyezze vissza az olajleeresztő csavart az alátéttel együtt, és húzza meg megfelelően.
5. Fokozatosan adjon hozzá annyi olajat, hogy az olajsint elérje az olajbetöltőcsont peremét, egészen a felső szintig, és ne legyen alacsonyabb, mint az alsó szint.
6. Helyezze vissza az olajbetöltő sapkát, és húzza meg megfelelően.

JEGYZET

Ha a motor gyakran működik rendkívül poros vagy más súlyos körülmények között, 25 óránként cserélje ki a motorolajat.

FIGYELEM

Ha a motort járattja, az alacsony olajsint a motor károsodását okozza.

LÉGSZŰRŐ

FIGYELEM

Ha a motort légszűrő nélkül vagy sérült légszűrővel üzemelteti, szennyeződés kerülhet a motorba, ami gyors motorkopást okoz.

- A légszűrő ellenőrzéséhez, tisztításához vagy cseréjéhez:
 1. Távolítsa el a légszűrő fedelét (8.1. ábra).
 2. Győződjön meg arról, hogy a levegőszűrő elem (8.2. ábra) szennyeződésmentes és jó állapotban van. Ha szennyezett, távolítsa el és tisztítsa meg.
 3. A habszivacs levegőszűrő elem tisztításához mossa ki otthoni tisztítószerrel és forró vízzel, majd hagyja megszáradni. Ezután áztassa be tiszta, telített motorolajba, és óvatosan nyomja ki a felesleges olajat. Ha szükséges, cserélje ki egy újra.
- A papír levegőszűrő elem tisztításához tisztítsa meg az enyhé szennyeződést úgy, hogy néhányszor óvatosan ragasszon rá egy kemény felületre, és cserélje ki, ha erős szennyeződés van jelen.

4. Tisztítsa meg a levegőszűrő házának belsejét, és fedje le a szennyeződéstől egy puha ruhával. Ha a motor olajfürdő típusú légszűrővel van felszerelve, cserélje ki az olajat új motorolajra.

5. Helyezze vissza a levegőszűrő elemet, és a fordított eljárás szerint tegye vissza a levegőszűrő fedelét.

FIGYELEM

Soha ne tisztítsa a légszűrőt gyúlékony vagy alacsony lobbánáspontú tisztítószerekkel, hogy elkerülje a tűz- vagy robbanásveszélyt.

JEGYZET

Ha a motor gyakran működik poros vagy más súlyos körülmények között, 10 óránként tisztítsa meg a légszűrőt, és cserélje ki az olajat újjal. Szükség esetén cserélje ki a légszűrő elemet 25 óránként.

GYŰJTŐGYERTYA

A gyújtógyertya karbantartásához (9.4. ábra):

1. Távolítsa el a gyújtógyertya sapkáját (9.1. ábra), hogy hozzáférjen a gyújtógyertyához (9.2. ábra).
2. Használjon megfelelő gyújtógyertya-szerszámot (9.3. ábra) a gyújtógyertya óvatos eltávolításához.
3. Ellenőrizze a gyújtógyertya és az elektródája állapotát. Tisztának és nem kopottnak kell lennie. Ellenőrizze, hogy a gyújtógyertya távolsága 0,7 és 0,8 mm között van. Cserélje ki a gyújtógyertyát egy újra, ha szükséges.
4. Kézvel óvatosan csavarja be a gyújtógyertyát a motorba.
5. A menet után a megfelelő gyújtógyertya-szerszámmal húzza meg a gyújtógyertyát, ügyelve arra, hogy ne használjon túlzott erőt a menetek károsodásához.
6. Helyezze vissza a gyújtógyertya sapkáját.

FIGYELEM

Soha ne engedje, hogy szennyeződés vagy törmelék kerüljön a henger furatába. A gyújtógyertya eltávolítása előtt alaposan tisztítsa meg a gyújtógyertyát és a hengerfej területét.

ÜZEMANYAG ÜZEMELŐCSÉSZÉSE

FIGYELEM

Az üzemanyag-karburátort csak szabadban és jól szellőző helyen tartsa karban.

Az üzemanyag ülepítő pohár karbantartásához:

1. Fordítsa az üzemanyagszelepet „OFF” állásba (10.1. ábra).
2. Távolítsa el a karburátor tüzelőanyag-ülepítő edényét (10.1. ábra) a gumi tömitőgyűrűjével (10.1. ábra).
3. Mossa le az eltávolított részeket oldószerben, szárítsa meg alaposan.

FIGYELEM

Soha ne tisztítsa a tüzelőanyag ülepítőpoharat gyúlékony vagy alacsony lobbánáspontú tisztítószerekkel, hogy elkerülje a tűz- vagy robbanásveszélyt.

4. Cserélje ki a gumi tömitőgyűrűt egy újra, ha szükséges.
5. Helyezze vissza a gumi tömitőgyűrűt és az ülepítőpoharat, és rögzítse a helyére.
6. Fordítsa az üzemanyagszelepet „BE” állásba, és ellenőrizze, hogy nem szivárog-e üzemanyag.

ÜZEMANYAGSZŰRŐ

Az üzemanyagtartály a kormányrúd típusától függetlenül is felszerelhető, amely a tanksapkánál található. Az üzemanyagszűrő kivehető, és rendszeresen ellenőrizni kell. Ha a szűrő szennyezett, tisztítsa meg, és szükség esetén cserélje ki egy újra. Ha az üzemanyagtartály belseje szennyezett, akkor az üzemanyagtartály tiszta benzinnel történő öblítésével tisztítható.

TISZTÍTÁS

Használjon kis puha kefét a készülék külsejének tisztítására.

tításához. Ne használjon erős tisztítószerket. Az aromás olajokat, például fenyő- és citromolajat és oldószereket, például kerozint tartalmazó háztartási tisztítószerket károsíthatják a műanyag házat vagy a fogantyút. Puha ruhával törölje le a nedvességet.

TÁROLÁS FIGYELEM

Soha ne tárolja az egységet üzemanyaggal a tartályban, és mindig hagyja lehűlni, mielőtt elrakná. A készüléket csak száraz és jól szellőző helyen tárolja.

Ha a készüléket hosszabb ideig tárolja, kövesse az alábbi tárolási eljárást:

1. Engedje le az összes üzemanyagot az üzemanyagtartályból.
2. Járassa a motort, amíg az üzemanyaghiány miatt le nem áll.
3. Cserélje ki a motorolajat újra.
4. Távolítsa el a gyújtógyertyát, és öntsön 30 ml kiváló minőségű motorolajat a hengerbe. Lassan húzza meg az indítókótelet, hogy elszlassa az olajat, majd helyezze vissza a gyújtógyertyát.
5. Alaposan tisztítsa meg az egységet, és ellenőrizze, hogy nincsenek-e laza vagy sérült részek. Javítsa meg vagy cserélje ki a sérült alkatrészeket, és húzza meg a meglazult csavarokat, anyákat vagy csavarokat.
6. Kenje meg az összes szükséges alkatrészt olajos nedves ruhával, hogy elkerülje a rozsdá felhalmozódását.

KÖRNYEZETVÉDELEM

Hasznosítsa újra a nyersanyagokat ahelyett, hogy hulladékként dobná el. A gépet, a tartozékokat és a csomagolást szét kell válogatni a környezetbarát újrahasznosítás érdekében. A műanyag alkatrészek kategorizált újrahasznosítás céljából vannak felcímkézve.

A használt motorolajat és a tartályokat a környezetet kompatibilis módon ártalmatlanítsa. Javasoljuk, hogy zárt edényben vigye vissza a helyi újrahasznosító központba vagy szervizbe. Ne dobja a szemetesbe, ne öntse a földre, és ne öntse le a lefolyóba.

GARANCIA

Erre a termékre a törvényi/országspecifikus előírásoknak megfelelő garanciát vállalunk, amely az első felhasználó általi vásárlás napjától érvényes. A normál kopásból, túlterhelésből vagy szakszerűtlen kezeléssel eredő károk nem tartoznak a garancia hatálya alá. Reklamáció esetén kérjük, küldje el a gépet teljesen összeszerelve a kereskedőhöz vagy a hivatalos szervizközponthoz.

LIEUVIŪ K.

BENDRIEJI SAUGOS ĮSPĖJIMAI

Prieš naudodami šį gaminį perskaitykite ir supraskite šį savininko vadovą. Galite padėti išvengti nelaimingų atsitikimų susipažinę su savo gaminio valdikiškais ir laikydami saugaus naudojimo procedūrą bei saugos ženklų. Visada vadovaukitės sveiku protu, kad išvengtumėte visų situacijų, kurios viršija jūsų galimybes. Nenaudokite, kai esate pavargę arba apsvaigę nuo narkotikų, alkoholio ar kitų vaistų. Darbo metu pašalinus asmenis ir gyvūnus, kurie gali būti sužaloti, taip pat daiktus, kurie gali būti sugadinti, laikykite atokiau. Niekada neleiskite vaikams ar žmonėms, kurie nėra susipažinę su šiomis instrukcijomis, naudoti gaminį. Vietiniai įstatymai gali apriboti minimalų operatoriaus amžių. Turėkite omenyje, kad operatorius arba naudotojas yra atsakingas už nelaimingus atsitikimus ar netikėtus įvykius, įvykius kitiems žmonėms, gyvūnams ar jų turtui. Saugokite gaminį nuo per didelės drėgmės, dulkių, purvo ar korozinių garų. Ant mašinės nemontuokite įrangos ar priedų, kurių nenumatė arba nepatvirtino gamintojas. Niekada nebandykite modifikuoti gaminio. Neleistini pakeitimai ar priedai gali sukelti rimtų kūno sužalojimų arba operatoriaus ar kitų asmenų mirtį. Kreipkitės į savo įgaliotąjį platintoją dėl išmontavimo ir techninės priežiūros, kurių šiame vadove neprašyta. Jei kas nors sulūžtų arba įvyktų nelaimingas atsitikimas dirbant, nedelsdami išjunkite mašiną ir nuneškite ją, kad išvengtumėte tolesnių pažeidimų. Jei į mašiną pateko svetimkūnis, nedelsdami ją sustabdykite, patikrinkite, ar nepažeista, ir prieš vėl paleisdami pataisykite.

APSAUGINĖ ĮRANGA

Naudodami įranginį įsitinkite, kad naudojate tinkamas ir sertifikuotas apsaugos priemones. Visada dėvėkite judesių netrukdančius drabužius, apsaugines pirštines, akinius, respiratorius su puskaube, ausų apsaugas ir apsauginius batus nuo kirpimo neslytančiais padais. Niekada nedėvėkite šalikių, vėriniių, kabančių ar besiplečiančių priedų ir drabužių, kurie gali įstrigti mašinoje. Suriškite plaukus, jei jie ilgi.

NUODIJIMŲ PAVOJUS

Dirbkite tik lauke ir gerai vėdinamose patalpose. Veikdamas variklis išskiria nuodingą anglies monoksidą – bekvapias ir bespalvis dujas. Įkvėpus anglies monoksido gali atsirasti pykinimas, alpimas arba mirtis. Nenaudokite mašinos uždaroje erdvėje, kur gali susidaryti pavojingi anglies monoksido garai, arba šalia atvirų langų. Degalai ir alyva yra labai toksiški. Neįkvėpkite kuro garuojančių dujų ir dirbdami su jomis visada dėvėkite atitinkamas apsaugines priemones. Kurą ir alyvą visada laikykite patvirtintose talpyklose ir atsakingai išmeskite.

GAISRO IR NUDEGIMO PAVOJUS

Degalai ir alyva yra degūs. Prieš naudodami vadovaukitės kiekvieno gamintojo pateiktomis instrukcijomis. Galimi ugnies ar kibirkšties šaltiniai visada turi

būti atokiau. Nerūkykite šalia mašinos, kuro ir alyvos. Degalų pildymas tik lauke, gerai vėdinamoje vietoje, išjungus variklį. Lėtai atidarykite degalų baką, kad slėgis viduje palaipsniui mažėtų. Neperpildykite degalų bako. Įsitikinkite, kad tarp bet kurio atsarginio benzino bako ir įrenginio yra tam tikras atstumas, kad išvengtumėte nereikalingo pavojaus. Prieš užvesdami variklį įsitikinkite, kad visi išsilieję degalai ir alyva buvo nuvalyti.

Kai kurios mašinos dalys pakankamai įkaista, kad užsidegtų degios medžiagos. Nenaudokite vietose, kuriose yra didelis gaisro pavojus. Nenukreipkite duslintuvo, taigi ir išmetamųjų dujų į degias medžiagas.

Kilus gaisrui, naudokite tinkamą gesintuvą, specialiai sukurtą naftos ir benzino gaisrui.

Kai kurios mašinos dalys pakankamai įkaista, kad sukeltų nudegimų. Nelieskite jų, kad nesusidegintumėte. Prieš padėdami į vietą, leiskite mašinai atvėsti.

KATEGORIJS SAUGOS ĮSPĖJIMAI

SAUGI EKSPLOATACIJA

Visos mašinos valdymo svirtys turi lengvai judėti iš vienos padėties į kitą ir nereikės veržti. Elektros laidai ir uždegimo žvakės laidas turi būti nepriekaištingos būklės, kad nesudarytų kibirkštys. Uždegimo žvakės dangtelis turi būti tinkamai uždėtas ant uždegimo žvakės. Rankenos ir apsaugos įtaisai turi būti švarūs ir sausi, taip pat patikimai pritvirtinti prie mašinos.

Prieš pradėdami dirbti, visada patikrinkite, ar nėra objektų, kurie gali užblokuoti oro įleidimo ekraną. Užsikimšusi oro įsiurbimo anga sumažina mašinos našumą ir padidina variklio darbinę temperatūrą, o tai gali sukelti variklio gedimą.

Įsitikinkite, kad sustabdėte mašiną:

- ▶ Montuojant arba nuimant priedus.
- ▶ Kai paliekate mašiną be priežiūros.
- ▶ Degalų papildymo metu.
- ▶ Valymo ar priežiūros metu.
- ▶ Judant tarp darbo zonų.
- ▶ Transportavimo metu.
- ▶ Prieš sandėliavimą.

ELEKTROS PAVOJUS

Įsitikinkite, kad mašinos elektros lizdai ir prie jo prijungti laidai bei kištukai yra geros būklės ir nenusidėvėję. Niekada nenaudokite sugadintos mašinos arba mašinos su pakeistais arba susidėvėjusiais elektros laidais ir kiškais. Nelaikykite mašinos ir elektros laidų drėgnoje aplinkoje ir niekada nelieskite, kai jie šlapi. Naudokite įžeminimo kontaktą. Nelieskite prie įžemintų paviršių ar elektros laidų, kad išvengtumėte elektros smūgio pavojaus. Nenaudokite laido kištuko ištraukimui iš lizdo. Visada traukite maitinimo laidą toliau nuo mašinos galinės dalies ir saugokite nuo karščio, alyvos ir aštrių daiktų. Jei mašiną ketinate naudoti lauke, naudokite tik ilginamuosius laidas, skirtus naudoti lauke. Bet kurio ilgintuvo skerspjuvis turi būti ne mažesnis kaip 1,5 mm², o tinklo jungtis turi būti apsaugota atitinkamu saugikliu.

SUKIANČIŲ DALIŲ PAVOJUS

Besisukančios dalys gali rimtai susižaloti. Nelieskite besisukančių dalių, kai jos vis dar sukasi.

TRIUKŠMO IR VIBRACIJA PAVOJUS

Šioje instrukcijoje nurodyti triukšmo ir vibracijos lygiai yra didžiausi mašinos naudojimo lygiai. Nepakankama priežiūra turi didelę įtaką vibracijos ir triukšmo emisijai. Vadinasi, būtina imtis prevencinių priemonių, kad būtų pašalinta galima žala dėl didelio triukšmo ir vibracijos įtempimo. Gerai prižiūrėkite mašiną, mūvėkite ausų apsaugos priemones, antivibracines pirštines ir dirbdami darykite pertraukas. Darbo dienos metu darykite dažnas ir pakankamas pertraukas, kad išvengtumėte vibracijos ir ausų pažeidimų.

PAVOJAI DARBO ZONOJE

Krupoščiai apžiūrėkite visą darbo zoną ir pašalinkite viską, kas gali būti pavojingas šaltinis arba sugadinti mašiną. Patikrinkite, ar mašinos veikimo zonoje nėra pašalinių asmenų, gyvūnų ar daiktų, kurie galėtų būti pažeisti.

Dirbkite tik dienos šviesoje arba esant tinkamam dirbtiniam apšvietimui, esant geram matomumui. Stenkitės nekelti triukšmo, naudodami šį įrenginį tik tinkamu paros metu.

Užimkite tvirtą ir gerai subalansuotą poziciją. Jei įmanoma, nedirbkite ant šlapios, slidžios žemės arba bet kokių atveju nelygioje ar stačioje vietoje, kuri negarantuoja stabilumo operatoriui ar tinkamų mašinos veikimo sąlygų.

Ekspluatokite mašiną laisvoje vietoje, atokiau nuo aplinkinių objektų ar sienų, kad užtikrintumėte saugų veikimą ir švarią oro cirkuliaciją įleidimo angoje.

LIKUSI PAVOJAI

Mašina buvo pagaminta naudojant šiuolaikines technologijas ir laikantis pripažintų saugos taisyklių. Net ir įgyvendinus visas saugos priemones, gali kilti tam tikrų pavojų, kurie dar nėra akivaizdūs. Operatorius turi vadovautis sveiku protu ir imtis būtinų atsargumo priemonių, kad išvengtų rizikos dėl likusių pavojų.

PRODUKTO SPECIFIKACIJOS

PASKIRTIS

Ši mašina suprojektuota ir pagaminta tiekti elektros energiją tose vietose, kur nėra elektros energijos tiekimo arba jis nepatinkamas.

Bet koks kitas naudojimas, kuris skiriasi nuo pirmiau minėtų, gali būti pavojingas, pakenkti žmonėms ir sugadinti daiktus bei pačią mašiną.

NETINKAMAS NAUDOJIMAS

Mašina negali būti naudojama maitinti kitus prietaisus, išskyrus tuos, kurie yra skirti pagal jos specifikacijas.

Kiti netinkamo naudojimo pavyzdžiai gali apimti, bet tuo neapsiribojant, mašinos veikimą:

- ▶ Be originalių gamintojo pateiktų priedų.
- ▶ Su originaliais priedais, bet ne pagal instrukcijas.
- ▶ Be originalių atsarginių dalių.

► Su neleistiniais pakeitimais.

Pagal galiojančius gaminio atsakomybės įstatymus, įrenginio gamintojas neprisiima atsakomybės už gaminio žalą ar gaminio sukeltus pažeidimus, atsiradusius dėl:

- Netinkamai elgiantis, nesilaikyta naudojimo instrukcijų.
- Remontą atlieka trečiosios šalys, o ne įgalioti techninės priežiūros specialistai.
- Neoriginalių atsarginių dalių montavimas.
- Naudojimas ne pagal paskirtį.
- Elektros sistemos gedimas dėl mašinos veikimo nesilaikant elektros ir VDE taisyklių.

TECHNINIAI DUOMENYS 76 PUSL

IDENTIFIKACIJA (1 PAV.)

1. AC išvestis
2. Antžeminis terminalas
3. Baterija
4. Alyvos matuoklis
5. Pagrindinis jungiklis
6. Atatranks starteris
7. Kuro vožtuvas
8. Oro gaiviklis
9. Droselio svirtis
10. Kuro bakas
11. Kuro bako dangtelis
12. Voltmetras
13. AC šiluminė apsauga

OPERACIJA

PARUOŠIMAS

Išpakavimas ir surinkimas turi būti atliekamas ant lygaus ir stabilaus paviršiaus, turint pakankamai vietos mašinai ir jos pakuotėms perkelti, visada naudojant tinkamą įrangą. Jei reikia, surinkimą turėtų atlikti apmokytas personalas artimiausioje parduotuvėje.

Degalų tiekimas ir tepimas

ĮSPĖJIMAS

Mašina pristatoma be alyvos ir degalų.

Šiame gaminyje yra 4 taktų variklis, tai reiškia, kad degalų bako turi būti naudojamas benzinas, o variklis turi būti užpildytas alyva.

Degalų specifikacijos: bešvinis benzinas arba 90 didesnio oktaninio skaičiaus.

Degalų bako talpa: žr. „TECHNINIŲ DUOMENŲ LENTELE“

Norėdami užpildyti mašiną degalų (2 pav.):

1. Nuimkite degalų bako dangtelį.
2. Įpilkite degalų iki viršutinio kuro bako lygio. Palikite mažiausiai 5 mm tarpą tarp degalų viršaus ir bako vidinio krašto, kad galėtų išsiplėsti. Pusė kuro bako dangtelio filtro ilgio taip pat gali veikti kaip viršutinis degalų lygio ženklas, jei yra.
3. Vėl uždėkite degalų bako dangtelį ir tinkamai priveržkite.

ĮSPĖJIMAS

Degalams laikyti visada naudokite švarų indą ir nenaudokite kuro, laikomo ilgiau nei mėnesį.

Alyvos specifikacijos: Bendram naudojimui (5°C – 38°C) rekomenduojama 4 taktų variklio alyva SAE 15W40 (3 pav.).

Variklio alyvos talpa: žr. „TECHNINIŲ DUOMENŲ LENTELE“

Norėdami užpildyti variklį alyva:

1. Nuimkite alyvos pildymo angos dangtelį (4.1 pav.) nuo variklio alyvos pildymo angos kaklelio (4.2 pav.). Apatinė jo dalis yra alyvos lygio indikatoriumus.
2. Palaipsniui įpilkite tiek alyvos, kad alyvos lygis pasiektų alyvos įpylimo angos angą iki viršutinio lygio (4.3 pav.) ir ne žemiau nei apatinis (4.4 pav.).
3. Vėl uždėkite alyvos pildymo angos dangtelį ir tinkamai priveržkite.

ĮSPĖJIMAS

Norėdami išvengti degalų ar alyvos išsiliejimo, naudokite piltuvą. Prieš užvesdami variklį, nuvalykite išsiliejusius degalus ir alyvą.

Akumuliatoriaus prijungimas taikomas tik modeliams su elektriniu paleidimu:

1. Atidarykite akumuliatoriaus skydelį.
2. Išimkite bateriją iš savo padėties.
3. Prijunkite teigiamą (raudoną) laidą prie teigiamo akumuliatoriaus poliaus.
4. Prijunkite teigiamą (juodą) neigiamą gnybtą prie neigiamo akumuliatoriaus poliaus.
5. Padėkite bateriją ir jo skydelį.

ĮRENGINIO PALEIDIMAS

Prieš paleisdami mašiną:

- Įsitinkinkite, kad ir mašina, ir jūs esate ant stabilios žemės.
 - Patikrinkite, ar visi tvirtinimo elementai yra pritvirtinti.
 - Atjunkite visas elektros apkrovas nuo generatoriaus. Niekada neįjunkite ir nestabdykite generatoriaus, kai elektros prietaisai yra prijungti arba įjungti.
 - Patikrinkite, ar oro filtras yra švarus ir ar oro įleidimo ir išleidimo angos neužkimštos pašalinių medžiagų.
 - Įpilkite reikiamą kiekį alyvos ir degalų.
- Norėdami paleisti mašiną:
1. Atidarykite kuro vožtuvą, esantį degalų bako apačioje.
 2. Perkelkite droselio svirtį (5 pav.) į „CHOKE“ padėtį.

PASTABA

Šis veiksmas taikomas tik šaltam variklio užvedimui. Kai variklis jau šiltas arba aplinkos temperatūra aukšta, droselio svirtis visą laiką turi likti padėtyje „RUN“.

3. Kaire ranka tvirtai suimkite už mašinos rankenos, o dešine – už variklio starterio rankenos (6.2 pav.). Traukite starterio rankeną, kol pajusite pasipriešinimą, kad įjungtumėte variklį, tada tvirtai traukite, kad užvestumėte variklį.

ĮSPĖJIMAS

Kad nenutrūktų starterio virvė (6.1 pav.), netraukite jos per visą ilgį ir neleiskite slysti kabelio kreipiklio angos krašto. Palaipsniui atleiskite starterį, kad neleisiumėte jam nevaldomai skristi atgal.

PASTABA:

Mašinos su elektriniu uždegimu galite naudoti uždegimo jungiklį, trumpai jį paspausdami, kol užsives variklis.

4. Kai variklis įšyla, perkelkite droselio svirtį į „RUN“ padėtį, jei variklis buvo užvestas šaltai.

PASTABA

Norėdami užtikrinti maksimalų našumą ir patikimumą, leiskite varikliui sušilti prieš pradėdami dirbti visa apkrova, 2–3 minutes paleiskite jį tuščiaja eiga.

PAGRINDINIS JUNGKILIS

- ▶ OFF: Uždegimo grandinė išjungta. Variklis neveiks.
- ▶ JJUNGTA: uždegimo grandinė įjungta. Variklis gali veikti.

Žemos alyvos jutiklis

Kai alyvos lygis nukrenta žemiau apatinio lygio, įsijungia alyvos trūkumo jutiklis ir variklis automatiškai sustoja. Jei nepripilsite alyvos, variklis vėl neužsives.

ŠILUMINĖ APSAUGA

Šiluminė apsauga įsijungia, kai aptinkama prijungto elektros prietaiso perkrova, sustabdyti elektros energijos gamybą, siekiant apsaugoti generatorių ir visus prijungtus elektros prietaisus. Kai įsijungia šiluminė apsauga ir nutrūksta elektros energijos gamyba, atlikite šiuos veiksmus:

1. Išjunkite visus prijungtus elektros prietaisus ir išjunkite variklį.
2. Sumažinkite bendrą prijungtų elektros prietaisų galią vardinėje galioje.
3. Patikrinkite, ar nėra užsikimšimų aušinimo oro įleidimo angoje ir aplink valdymo bloką. Jei randate kokių nors užsikimšimų, pašalinkite juos.
4. Įjunkite apsaugą paspausdami ją atgal į vietą.
5. Po patikrinimo iš naujo užveskite variklį.

ISPĖJIMAS

Jei šiluminė apsauga vėl įsijungia, nedelsdami sustokite naudoti prietaisą ir kreipkitės į mūsų įmonės įgaliotąjį pardavėją.

ANTŽEMINIS TERMINALAS

Įžeminimo gnybtas jungia įžeminimo liniją, kad būtų išvengta elektros smūgio. Kai elektros prietais yra įžemintas, generatorius visada turi būti įžemintas. Siekiant išvengti elektros smūgio dėl nekokybiškų elektros prietaisų ar netinkamo elektros energijos naudojimo, generatorius turi būti įžemintas geros kokybės izoliuotu laidininku.

ĮRENGINIO SUSTABDYMAS

Norėdami sustabdyti mašiną:

1. Išjunkite ir atjunkite visas elektros apkrovas.

ISPĖJIMAS

Niekada nėjunkite ir nestabdykite generatoriaus, kai elektros prietaisai yra prijungti arba įjungti.

2. Leiskite generatoriui keletą minučių veikti be apkrovos, kad stabilizuotumėte variklio ir generatoriaus vidinę temperatūrą.
3. Pasukite pagrindinį jungiklį į „OFF“ padėtį. Uždegimo grandinė įjungta.
4. Išjunkite kuro vožtuvą.

PRIEŽIŪRA IR VALYMAS**ISPĖJIMAS**

Niekada nedarykite priežiūros ar valymo įrenginiui veikiant. Visada dirbkite su vėsiu įrenginiu. Prieš valydami arba atlikdami techninės priežiūros darbus,

atjunkite uždegimo žvakės dangtelį ir perskaitykite atitinkamas instrukcijas. Visada dėvėkite tinkamus drabužius ir dėvėkite apsaugines pirštines, kai kyla pavojus jūsų rankoms.

Bet kokius šiame vadove neaprašytus reguliavimus ar techninės priežiūros darbus turi atlikti pardavėjas arba specializuotas techninės priežiūros centras, turintis reikiamų žinių ir įrangos, kad būtų užtikrinta, jog darbas būtų atliktas teisingai, išlaikant pradinį mašinos saugos lygį. Bet kokios operacijos, atliekamos neleistinuose centruose arba nekvalifikuotų asmenų, visiškai panaikins garantiją ir visus gamintojo įsipareigojimus bei atsakomybę.

Priveržkite visas varžles ir varžtus, kad įsitikintumėte, jog mašina visada yra saugios darbinės būklės. Įprastinė priežiūra yra būtina siekiant užtikrinti saugumą ir išlaikyti aukštą našumo lygį.

ISPĖJIMAS

Niekada nenaudokite mašinos su susidėvėjusiomis ar pažeistomis dalimis. Sugedusios arba susidėvėjusios dalys visada turi būti pakeistos, o ne taisomos. Naudokite tik originalias atsargines dalis.

PRIEŽIŪROS GRAFIKAS

Daiktai		Dažnis				
		Prieš kiekvieną naudojimą	Po 1 mėnesio arba pirmųjų 20 darbo valandų	Kas 3 mėnesius arba 50 darbo valandų	Kas 12 mėnesių arba 100 darbo valandų	Kas 24 mėnesius arba 250 darbo valandų
Pilnas vienetas	Apžiūra	✓				
Valdymo rankenos	Patikrinkite veikimą	✓				
Kibirkšties slopintuvus (jei yra)	Patikrinti			✓*		
variklio alyva	Patikrinti - papildyti	✓				
	Pakeiskite		✓	✓		
Oro filtras	Patikrinti	✓				
	Švarus		✓			
	Pakeiskite			✓		
Uždegimo žvakė	Patikrinkite - sureguliuokite		✓		✓*	
Kuro linija ir filtras	Patikrinkite - išvalykite**				✓*	
Kuro bakas	Patikrinkite - išvalykite**					✓*
Indėlio taurė (jei yra)	Švarus		✓	✓		

Vožtuvo tarpas	Patikrinkite – sureguliuokite **				✓	
Degimo kamera	Patikrinkite – išvalykite**					✓*
* Jei reikia, šiuos elementus reikia pakeisti. **Šias operacijas turi atlikti tik įgaliotasis atstovas, turintis tinkamus įrankius ir reikiamus mechaninius įgūdžius.						

VARIKLIO ALYVA ISPĖJIMAS

Lygio tikrinimas ir alyvos keitimas turi būti atliekamas ant tvirtos ir lygios žemės. Variklis visada turi būti sustabdytas. Jei variklis būtų dirbęs, jis bus karštas, todėl procedūrą reikia atlikti atsargiai ir imtis būtinų atsargumo priemonių, kad būtų išvengta nudegimų.

PASTABA

Išleiskite panaudotą alyvą, kol variklis šiltas. Šiltas alvygas greitai ir visiškai nuteka.

Norėdami patikrinti alyvos lygį:

1. Nuimkite alyvos pildymo angos dangtelį (7.6 pav.) nuo variklio alyvos pildymo angos kaklelio (7.1 pav.).
2. Patikrinkite alyvos lygį. Alyvos lygis turi siekti alyvos įpylimo kaklelio angą (7.7 pav.). Jei reikia, įpilkite tiek alyvos, kad alyvos lygis pasiektų alyvos įpylimo angos angą iki viršutinio lygio ir ne žemiau nei apatinis.

3. Vėl uždėkite alyvos pildymo angos dangtelį ir tinkamai priveržkite.

Norėdami pakeisti alyvą:

1. Nuimkite alyvos pildymo angos dangtelį nuo variklio alyvos įpylimo angos.
2. Padėkite tinkamą indą (7.3 pav.) po alyvos išleidimo angą (7.2 pav.), kad surinktų panaudotą alyvą.
3. Išimkite alyvos išleidimo kaištį (7.4 pav.) ir poveržlę (7.5 pav.), kad alyva visiškai ištekėtų.
4. Vėl uždėkite alyvos išleidimo kaištį su poveržle ir tinkamai priveržkite.
5. Palaipsniui įpilkite tiek alyvos, kad alyvos lygis pasiektų alyvos įpylimo angos angą iki viršutinio lygio ir ne žemiau nei apatinis.
6. Vėl uždėkite alyvos pildymo angos dangtelį ir tinkamai priveržkite.

PASTABA

Jei variklis dažnai dirba labai dulketomis ar kitomis sunkiomis aplinkybėmis, pakeiskite variklio alyvą kas 25 valandas.

ISPĖJIMAS

Varikliui veikiant sumažėjęs alyvos lygis sugadins variklį.

ORO FILTRAS ISPĖJIMAS

Jei variklis veikia be oro valytuvo arba su pažeistu oro valytuvu, į variklį pateks nešvarumų, dėl kurių variklis greitai nusidėvės.

Norėdami patikrinti, išvalyti arba pakeisti oro filtrą:

1. Nuimkite oro filtro dangtelį (8.1 pav.).
2. Įsitikinkite, kad oro filtro elementas (8.2 pav.) yra švarus ir geros būklės. Jei jis nešvarus, nuimkite ir nuvalykite.

3. Norėdami išvalyti putplasčio oro filtro elementą, nuplaukite jį naminiu plovikliu ir karštu vandeniu ir leiskite išdžiūti. Tada pamirkykite jį švarioje prisotintoje variklio alyvoje ir švelniai išspauskite alyvos perteklių. Jei reikia, pakeiskite jį nauju.

Norėdami išvalyti popierinį oro filtro elementą, nuvalykite lengvus nešvarumus kelis kartus švelniai prikljuodami juos ant kieto paviršiaus ir pakeiskite, jei yra daug nešvarumų.

4. Nuvalykite oro filtro korpuso vidų ir uždenkite nuo nešvarumų minkšta šluoste. Jei variklyje yra alyvos vonios tipo oro filtras, pakeiskite alyvą nauja variklio alyva.

5. Vėl įstatykite oro filtro elementą ir atlikite atvirkštinę procedūrą, kad grąžintumėte oro filtro dangtelį.

ISPĖJIMAS

Niekada nevalykite oro filtro degiais arba žemos plūpsnio temperatūros plovikliais, kad išvengtumėte gaisro ar sprogimo pavojaus.

PASTABA

Jei variklis dažnai dirba dulketomis ar kitomis sunkiomis aplinkybėmis, išvalykite oro filtrą kas 10 valandų ir įpilkite alyvą nauja. Jei reikia, keiskite oro filtro elementą kas 25 valandas.

UŽDEGIMO ŽVAKĖ

Norėdami prižiūrėti uždegimo žvakę (9.4 pav.):

1. Nuimkite uždegimo žvakės dangtelį (9.1 pav.), kad pasiektumėte uždegimo žvakę (9.2 pav.).
2. Naudokite tinkamą uždegimo žvakės įrankį (9.3 pav.), kad atsargiai ištrauktumėte uždegimo žvakę.
3. Patikrinkite uždegimo žvakės ir jos elektrodo būklę. Ji turi būti švari ir nedėvėta. Patikrinkite, ar uždegimo žvakės tarpas yra nuo 0,7 iki 0,8 mm. Jei reikia, pakeiskite uždegimo žvakę nauja.
4. Ranka atsargiai įkiškite uždegimo žvakę į variklį.
5. Įsriegę sriegį, naudokite atitinkamą uždegimo žvakės įrankį, kad priveržtumėte uždegimo žvakę, atkreipkite dėmesį, kad nepažeistumėte sriegių per didelės jėgos.
6. Vėl uždėkite uždegimo žvakės dangtelį.

ISPĖJIMAS

Niekada neleiskite purvui ar šiukšlėms patekti į cilindro angą. Prieš išimdami uždegimo žvakę, kruopščiai nuvalykite uždegimo žvakę ir cilindro galvutės sritį.

KURO NUODUODŲ TAURAS

ISPĖJIMAS

Degalų karbiuratorių prižiūrėkite tik lauke ir gerai vėdinamose vietose.

Norėdami prižiūrėti kuro nuosėdų indelį:

1. Pasukite kuro vožtuvą į padėtį „OFF“ (10.1 pav.).
2. Nuimkite karbiuratoriaus kuro nuosėdų taurelę (10.1 pav.) su guminiu sandariklio žiedu (10.1 pav.).
3. Nuimtas dalis nuplaukite tirpiklyje, gerai išdžiovininkite.

ISPĖJIMAS

Niekada nevalykite degalų nuosėdų puodelio degiais arba žemos plūpsnio temperatūros plovikliais, kad išvengtumėte gaisro ar sprogimo pavojaus.

4. Jei reikia, pakeiskite guminį sandariklio žiedą nauju.
5. Vėl uždėkite guminį sandariklio žiedą ir nuosėdų taurę ir pritvirtinkite.
6. Pasukite kuro vožtuvą į padėtį „ON“ ir patikrinkite, ar nėra kuro nuotėkio.

netaikoma žalai, atsiradusioms dėl normalaus nusidėvėjimo, perkrovos ar netinkamo naudojimo. Jei turite pretenzijų, visiškai surinktą mašiną nusiųskite pardavėjui arba oficialiam aptarnavimo centrui.

KURO FILTRAS

Priklausomai nuo vairalazdės modelio degalų bako gali būti filtras, esantis prie degalų bako dangtelio. Kuro filtrą galima išimti ir jį reikia periodiškai tikrinti. Jei filtras yra nešvarus, išvalykite jį ir prireikus pakeiskite nauju. Jei degalų bako vidus yra nešvarus, jį galima išvalyti išskalaujant kuro baką švariu benzinu.

VALYMAS

Nedidelį minkštą šepetėlį valykite įrenginio išorę. Nenaudokite stiprių ploviklių. Buitiniai valikliai, kurių sudėtyje yra aromatinių aliejų, pvz., pušų ir citrinų, ir tirpiklių, tokių kaip žibalas, gali pažeisti plastikinį korpusą arba rankeną. Drėgmę nuvalykite minkšta šluoste.

SANDĖLIAVIMAS ĮSPĖJIMAS

Niekada nelaikykite įrenginio su degalų bako ir visada leiskite įrenginiui atvėsti prieš padėdami. Laikykite įrenginį tik sausose ir gerai vėdinamose patalpose.

Jei įrenginys bus saugomas ilgesnį laiką, naudokite šią saugojimo procedūrą:

1. Iš kuro bako išleiskite visus degalus.
2. Užveskite variklį, kol jis užges dėl degalų trūkumo.
3. Pakeiskite variklio alyvą nauja.
4. Ištraukite uždegimo žvakę ir į cilindrą įpilkite 30 ml aukštos kokybės variklio alyvos. Lėtai traukite starterio lyną, kad alyva pasiskirstytų, ir vėl įstatykite uždegimo žvakę.
5. Kruopščiai išvalykite įrenginį ir patikrinkite, ar nėra palaidų ar pažeistų dalių. Pataisykite arba pakeiskite pažeistas dalis ir priveržkite atsilaisvintus varžtus, veržles arba varžtus.
6. Visas reikalingas dalis sutepinkite alyvoje drėgna šluoste, kad nesusidarytų rūdžių.

APLINKOS APSAUGA

Perdirbkite žaliavas, o ne išmeskite kaip atliekas. Mašina, priedai ir pakuotės turi būti rūšiuojamos, kad būtų galima perdirbti aplinkai nekenksmingą. Plastikiniai komponentai yra paženklinti, kad juos būtų galima perdirbti.

Panaudotą variklinę alyvą ir talpas išmeskite taip, kad jos būtų suderinamos su aplinka. Rekomenduojame nugabenti jį sandariame konteineryje į vietinį perdirbimo centrą arba degalinę, kad būtų galima sutvarkyti. Neišmeskite jo į šiukšliadėžę, nepilkite ant žemės ir neišpilkite į kanalizaciją.

GARANTIJA

Šiam gaminiui suteikiama garantija pagal teisinius / konkrečios šalies reglamentus, kurie galioja nuo pirmojo naudotojo įsigijimo datos. Garantija

TECHNICAL DATA					
Article Number		46 093	46 094	46 095	46 096
Model		GPG 3000 PLUS	GPG 6000 PLUS	GPG 6000E PLUS	GPG 3000 HD
Type		Open frame	Open frame	Open frame	Open frame
Voltage (AC)	V	230	230	230	230
Max. output power AC (400V)	kVA	-	-	-	-
Max. output power AC (230V)	kVA	3,0	6,0	6,0	3,0
Rated output power AC (400V)	kVA	-	-	-	-
Rated output power AC (230V)	kVA	2,7	5,5	5,5	2,7
Rated current AC (400V)	A	-	-	-	-
Rated current AC (230V)	A	11,7	23,9	23,9	11,7
Revolutions per minute		3.000 min ⁻¹	3.000 min ⁻¹	3.000 min ⁻¹	3.000 min ⁻¹
Voltage Regulation		AVR	AVR	AVR	AVR
Outputs AC (230V)		2 x 16A	1 x 16A, 1 x 32A	1 x 16A, 1 x 32A	2 x 16A
Outputs AC (400V)		-	-	-	-
Outputs DC (12V)		1 x 8,3A	1 x 8,3A	1 x 8,3A	1 x 8,3A
Outputs DC (5V)		-	-	-	-
Voltmeter		1	1	1	1
Degree of protection		IP23M	IP23M	IP23M	IP23M
Engine style		4 stroke, OHV	4 stroke, OHV	4 stroke, OHV	4 stroke, OHV
Cooling system		Air cooled	Air cooled	Air cooled	Air cooled
Cylinders		1	1	1	1
Displacement	cc	212,0	420,0	420,0	212,0
Fuel tank capacity	L	15,0	25,0	25,0	18,0
Running time (Full load)	hr	7,0	8,0	8,0	9,0
Estimated noise at 7m (1/2 load)	dB	70,0	70,0	70,0	70,0
Sound power level, guaranteed	dB	96	97	97	96
Equivalent sound pressure level at the operator's ear	dB	73,6	74,7	74,7	73,6
Starting mode		Recoil	Recoil	Recoil/Electric	Recoil
Wheels		-	Accessory	Accessory	-
Net weight (kg)		41,0	73,0	78,0	46,0

46 097	47 525	46 098	46 099	47 526
GPG 6000E HD	GPG 7500TE HD	GPG 6800E HD	GPG 8500E HD	GPG 10600TE HD
Open frame	Open frame	Open frame	Open frame	Open frame
230	400	230	230	400
-	7,5	-	-	10,6
6,0	2,5	6,8	8,5	8,5
-	6,9	-	-	10,0
5,5	2,3	6,3	8,0	8,0
-	17,3	-	-	25,0
23,9	10,0	27,4	34,8	34,8
3.000 min ⁻¹		3.000 min ⁻¹	3.000 min ⁻¹	
AVR	AVR	AVR	AVR	AVR
1 x 16A, 1 x 32A	1 x 16A	1 x 16A, 1 x 32A	2 x 16A, 1 x 32A	1 x 32A
-	1 x 32A	-	-	1 x 32A
1 x 8,3A	1 x 8,3A	1 x 8,3A	1 x 8,3A	1 x 8,3A
-	-	-	-	-
1	1	1	1	1
IP23M	IP23M	IP23M	IP23M	IP23M
4 stroke, OHV	4 stroke, OHV	4 stroke, OHV	4 stroke, OHV	4 stroke, OHV
Air cooled	Air cooled	Air cooled	Air cooled	Air cooled
1	1	1	1	1
420,0	420,0	438,0	500,0	500,0
28,0	28,0	28,0	28,0	28,0
9,0	9,0	8,0	8,0	8,0
70,0	70,0	70,0	70,0	70,0
97	97	97	97	97
74,7	74,7	76	74,2	74,2
Recoil/Electric	Recoil/Electric	Recoil/Electric	Recoil/Electric	Recoil/Electric
Included	Included	Included	Included	Included
85,5	85,5	88,0	98,0	98,0

DONNÉES TECHNIQUES					
Numéro de l'article		46 093	46 094	46 095	46 096
Modèle		GPG 3000 PLUS	GPG 6000 PLUS	GPG 6000E PLUS	GPG 3000 HD
Taper		Cadre ouvert	Cadre ouvert	Cadre ouvert	Cadre ouvert
Tension (CA)	V	230	230	230	230
Max. puissance de sortie CA (400V)	kVA	-	-	-	-
Max. puissance de sortie CA (230V)	kVA	3,0	6,0	6,0	3,0
Puissance de sortie nominale CA (400 V)	kVA	-	-	-	-
Puissance de sortie nominale CA (230 V)	kVA	2,7	5,5	5,5	2,7
Courant nominal AC (400V)	A	-	-	-	-
Courant nominal AC (230V)	A	11,7	23,9	23,9	11,7
Révolutions par minute		3.000 min ⁻¹	3.000 min ⁻¹	3.000 min ⁻¹	3.000 min ⁻¹
Régulation de tension		AVR	AVR	AVR	AVR
Sorties CA (230V)		2 x 16A	1 x 16A, 1 x 32A	1 x 16A, 1 x 32A	2 x 16A
Sorties CA (400V)		-	-	-	-
Sorties CC (12V)		1 x 8,3A	1 x 8,3A	1 x 8,3A	1 x 8,3A
Sorties CC (5V)		-	-	-	-
Voltmètre		1	1	1	1
Degré de protection		IP23M	IP23M	IP23M	IP23M
Type de moteur		4 temps, OHV	4 temps, OHV	4 temps, OHV	4 temps, OHV
Système de refroidissement		Air conditionné	Air conditionné	Air conditionné	Air conditionné
Cylindres		1	1	1	1
Déplacement	cc	212,0	420,0	420,0	212,0
Capacité du réservoir de carburant	L	15,0	25,0	25,0	18,0
Temps de fonctionnement (pleine charge)	hr	7,0	8,0	8,0	9,0
Bruit estimé à 7m (1/2 charge)	dB	70,0	70,0	70,0	70,0
Niveau de puissance sonore, garanti	dB	96	97	97	96
Niveau de pression sonore équivalent à l'oreille de l'opérateur	dB	73,6	74,7	74,7	73,6
Mode de démarrage		Recul	Recul	Recul/Électrique	Recul
Roues		-	Accessoire	Accessoire	-
Poids net (kg)		41,0	73,0	78,0	46,0

46 097	47 525	46 098	46 099	47 526
GPG 6000E HD	GPG 7500TE HD	GPG 6800E HD	GPG 8500E HD	GPG 10600TE HD
Cadre ouvert	Cadre ouvert	Cadre ouvert	Cadre ouvert	Cadre ouvert
230	400	230	230	400
-	7,5	-	-	10,6
6,0	2,5	6,8	8,5	8,5
-	6,9	-	-	10,0
5,5	2,3	6,3	8,0	8,0
-	17,3	-	-	25,0
23,9	10,0	27,4	34,8	34,8
3.000 min ¹		3.000 min ¹	3.000 min ¹	
AVR	AVR	AVR	AVR	AVR
1 x 16A, 1 x 32A	1 x 16A	1 x 16A, 1 x 32A	2 x 16A, 1 x 32A	1 x 32A
-	1 x 32A	-	-	1 x 32A
1 x 8,3A	1 x 8,3A	1 x 8,3A	1 x 8,3A	1 x 8,3A
-	-	-	-	-
1	1	1	1	1
IP23M	IP23M	IP23M	IP23M	IP23M
4 temps, OHV	4 temps, OHV	4 temps, OHV	4 temps, OHV	4 temps, OHV
Air conditionné	Air conditionné	Air conditionné	Air conditionné	Air conditionné
1	1	1	1	1
420,0	420,0	438,0	500,0	500,0
28,0	28,0	28,0	28,0	28,0
9,0	9,0	8,0	8,0	8,0
70,0	70,0	70,0	70,0	70,0
97	97	97	97	97
74,7	74,7	76	74,2	74,2
Recul/Électrique	Recul/Électrique	Recul/Électrique	Recul/Électrique	Recul/Électrique
Inclus	Inclus	Inclus	Inclus	Inclus
85,5	85,5	88,0	98,0	98,0

DATI TECNICI					
Numero dell'articolo		46 093	46 094	46 095	46 096
Modello		GPG 3000 PLUS	GPG 6000 PLUS	GPG 6000E PLUS	GPG 3000 HD
Tipo		Cornice aperta	Cornice aperta	Cornice aperta	Cornice aperta
Tensione (CA)	V	230	230	230	230
Massimo potenza di uscita AC (400V)	kVA	-	-	-	-
Massimo potenza di uscita AC (230V)	kVA	3,0	6,0	6,0	3,0
Potenza di uscita nominale AC (400V)	kVA	-	-	-	-
Potenza di uscita nominale AC (230V)	kVA	2,7	5,5	5,5	2,7
Corrente nominale AC (400V)	A	-	-	-	-
Corrente nominale AC (230V)	A	11,7	23,9	23,9	11,7
Giri al minuto		3.000 min ⁻¹	3.000 min ⁻¹	3.000 min ⁻¹	3.000 min ⁻¹
Regolazione del voltaggio		AVR	AVR	AVR	AVR
Uscite AC (230V)		2 x 16A	1 x 16A, 1 x 32A	1 x 16A, 1 x 32A	2 x 16A
Uscite AC (400V)		-	-	-	-
Uscite CC (12V)		1 x 8,3A	1 x 8,3A	1 x 8,3A	1 x 8,3A
Uscite CC (5V)		-	-	-	-
Voltmetro		1	1	1	1
Grado di protezione		IP23M	IP23M	IP23M	IP23M
Stile del motore		4 tempi, OHV	4 tempi, OHV	4 tempi, OHV	4 tempi, OHV
Sistema di raffreddamento		Raffreddato ad aria	Raffreddato ad aria	Raffreddato ad aria	Raffreddato ad aria
Cilindri		1	1	1	1
Dislocamento	cc	212,0	420,0	420,0	212,0
Capacità della tanica di benzina	L	15,0	25,0	25,0	18,0
Tempo di funzionamento (pieno carico)	hr	7,0	8,0	8,0	9,0
Rumore stimato a 7 m (1/2 carico)	dB	70,0	70,0	70,0	70,0
Livello di potenza sonora, garantito	dB	96	97	97	96
Livello di pressione sonora equivalente all'orecchio dell'operatore	dB	73,6	74,7	74,7	73,6
Modalità di partenza		Rinculo	Rinculo	Rinculo/Elettrico	Rinculo
Ruote		-	Accessorio	Accessorio	-
Peso netto (kg)		41,0	73,0	78,0	46,0

46 097	47 525	46 098	46 099	47 526
GPG 6000E HD	GPG 7500TE HD	GPG 6800E HD	GPG 8500E HD	GPG 10600TE HD
Cornice aperta	Cornice aperta	Cornice aperta	Cornice aperta	Cornice aperta
230	400	230	230	400
-	7,5	-	-	10,6
6,0	2,5	6,8	8,5	8,5
-	6,9	-	-	10,0
5,5	2,3	6,3	8,0	8,0
-	17,3	-	-	25,0
23,9	10,0	27,4	34,8	34,8
3.000 min ⁻¹		3.000 min ⁻¹	3.000 min ⁻¹	
AVR	AVR	AVR	AVR	AVR
1 x 16A, 1 x 32A	1 x 16A	1 x 16A, 1 x 32A	2 x 16A, 1 x 32A	1 x 32A
-	1 x 32A	-	-	1 x 32A
1 x 8,3A	1 x 8,3A	1 x 8,3A	1 x 8,3A	1 x 8,3A
-	-	-	-	-
1	1	1	1	1
IP23M	IP23M	IP23M	IP23M	IP23M
4 tempi, OHV	4 tempi, OHV	4 tempi, OHV	4 tempi, OHV	4 tempi, OHV
Raffreddato ad aria	Raffreddato ad aria	Raffreddato ad aria	Raffreddato ad aria	Raffreddato ad aria
1	1	1	1	1
420,0	420,0	438,0	500,0	500,0
28,0	28,0	28,0	28,0	28,0
9,0	9,0	8,0	8,0	8,0
70,0	70,0	70,0	70,0	70,0
97	97	97	97	97
74,7	74,7	76	74,2	74,2
Rinculo/Elettrico	Rinculo/Elettrico	Rinculo/Elettrico	Rinculo/Elettrico	Rinculo/Elettrico
Incluso	Incluso	Incluso	Incluso	Incluso
85,5	85,5	88,0	98,0	98,0

ΤΕΧΝΙΚΑ ΔΕΔΟΜΕΝΑ					
Κωδικός Είδους		46 093	46 094	46 095	46 096
Μοντέλο		GPG 3000 PLUS	GPG 6000 PLUS	GPG 6000E PLUS	GPG 3000 HD
Τύπος		Ανοιχτό	Ανοιχτό	Ανοιχτό	Ανοιχτό
Τάση εξόδου (AC)	V	230	230	230	230
Μεγ. ισχύς εξόδου AC (400V)	kVA	-	-	-	-
Μεγ. ισχύς εξόδου AC (230V)	kVA	3,0	6,0	6,0	3,0
Ονομαστική ισχύς εξόδου AC (400V)	kVA	-	-	-	-
Ονομαστική ισχύς εξόδου AC (230V)	kVA	2,7	5,5	5,5	2,7
Ονομαστική ένταση ρεύματος AC (400V)	A	-	-	-	-
Ονομαστική ένταση ρεύματος AC (230V)	A	11,7	23,9	23,9	11,7
Revolutions per minute		3.000 min ⁻¹	3.000 min ⁻¹	3.000 min ⁻¹	3.000 min ⁻¹
Σταθεροποιητής τάσης		AVR	AVR	AVR	AVR
Εξόδοι AC (230V)		2 x 16A	1 x 16A, 1 x 32A	1 x 16A, 1 x 32A	2 x 16A
Εξόδοι AC (400V)		-	-	-	-
Εξόδοι DC (12V)		1 x 8,3A	1 x 8,3A	1 x 8,3A	1 x 8,3A
Εξόδοι DC (5V)		-	-	-	-
Βολτόμετρο		1	1	1	1
Βαθμός προστασίας		IP23M	IP23M	IP23M	IP23M
Τύπος κινητήρα		4χρονος, OHV	4χρονος, OHV	4χρονος, OHV	4χρονος, OHV
Σύστημα ψύξης		Αερόψυκτο	Αερόψυκτο	Αερόψυκτο	Αερόψυκτο
Αριθμός κυλίνδρων		1	1	1	1
Κυβισμός	cc	212,0	420,0	420,0	212,0
Χωρητικότητα δοχείου καυσίμου	L	15,0	25,0	25,0	18,0
Αυτονομία (πλήρες φορτίο)	hr	7,0	8,0	8,0	9,0
Εκτιμώμενος θόρυβος στα 7 m (1/2 φορτίο)	dB	70,0	70,0	70,0	70,0
Επίπεδο ισχύος ήχου, εγγυημένο	dB	96	97	97	96
Ισοδύναμο επίπεδο ηχητικής πίεσης στο αυτί του χειριστή	dB	73,6	74,7	74,7	73,6
Τύπος εκκίνησης		Χειρόμιζα	Χειρόμιζα	Χειρόμιζα	Χειρόμιζα
Τροχοί		-	Προαιρετικός εξοπλ.	Προαιρετικός εξοπλ.	-
Καθαρό βάρος		41,0	73,0	78,0	46,0

46 097	47 525	46 098	46 099	47 526
GPG 6000E HD	GPG 7500TE HD	GPG 6800E HD	GPG 8500E HD	GPG 10600TE HD
Ανοιχτό	Ανοιχτό	Ανοιχτό	Ανοιχτό	Ανοιχτό
230	400	230	230	400
-	7,5	-	-	10,6
6,0	2,5	6,8	8,5	8,5
-	6,9	-	-	10,0
5,5	2,3	6,3	8,0	8,0
-	17,3	-	-	25,0
23,9	10,0	27,4	34,8	34,8
3.000 min ⁻¹		3.000 min ⁻¹	3.000 min ⁻¹	
AVR	AVR	AVR	AVR	AVR
1 x 16A, 1 x 32A	1 x 16A	1 x 16A, 1 x 32A	2 x 16A, 1 x 32A	1 x 32A
-	1 x 32A	-	-	1 x 32A
1 x 8,3A	1 x 8,3A	1 x 8,3A	1 x 8,3A	1 x 8,3A
-	-	-	-	-
1	1	1	1	1
IP23M	IP23M	IP23M	IP23M	IP23M
4χρονος, OHV	4χρονος, OHV	4χρονος, OHV	4χρονος, OHV	4χρονος, OHV
Αερόψυκτο	Αερόψυκτο	Αερόψυκτο	Αερόψυκτο	Αερόψυκτο
1	1	1	1	1
420,0	420,0	438,0	500,0	500,0
28,0	28,0	28,0	28,0	28,0
9,0	9,0	8,0	8,0	8,0
70,0	70,0	70,0	70,0	70,0
97	97	97	97	97
74,7	74,7	76	74,2	74,2
Χειρόμιζα / Ηλεκτρική	Χειρόμιζα / Ηλεκτρική	Χειρόμιζα / Ηλεκτρική	Χειρόμιζα / Ηλεκτρική	Χειρόμιζα / Ηλεκτρική
Βασικός εξοπλ.	Βασικός εξοπλ.	Βασικός εξοπλ.	Βασικός εξοπλ.	Βασικός εξοπλ.
85,5	85,5	88,0	98,0	98,0

TEHNIČKI PODACI					
Broj članka		46 093	46 094	46 095	46 096
Model		GPG 3000 PLUS	GPG 6000 PLUS	GPG 6000E PLUS	GPG 3000 HD
Tip		Otvori okvir	Otvori okvir	Otvori okvir	Otvori okvir
Napon (AC)	V	230	230	230	230
Max. izlazna snaga AC (400V)	kVA	-	-	-	-
Max. izlazna snaga AC (230V)	kVA	3,0	6,0	6,0	3,0
Ocenjena izlazna snaga AC (400V)	kVA	-	-	-	-
Ocenjena izlazna snaga AC (230V)	kVA	2,7	5,5	5,5	2,7
Ocenjeno sa trenutni AC (400V)	A	-	-	-	-
Ocenjeno sa trenutni AC (230V)	A	11,7	23,9	23,9	11,7
Revolucije u minuti		3.000 min ⁻¹	3.000 min ⁻¹	3.000 min ⁻¹	3.000 min ⁻¹
Pravilnik o naponu		AVR	AVR	AVR	AVR
Izlaz AC (230V)		2 x 16A	1 x 16A, 1 x 32A	1 x 16A, 1 x 32A	2 x 16A
Izlaz AC (400V)		-	-	-	-
IZLAZ DC (12V)		1 x 8,3A	1 x 8,3A	1 x 8,3A	1 x 8,3A
DC izlaza (5V)		-	-	-	-
Voltmetar		1	1	1	1
Stepen zaštite		IP23M	IP23M	IP23M	IP23M
Stil motora		4 moždana udara, OHV	4 moždana udara, OHV	4 moždana udara, OHV	4 moždana udara, OHV
Sistem hlađenja		Vazduh ohlađen	Vazduh ohlađen	Vazduh ohlađen	Vazduh ohlađen
Cilindara		1	1	1	1
Premeštanje	cc	212,0	420,0	420,0	212,0
Kapacitet rezervoara za gorivo	L	15,0	25,0	25,0	18,0
Vreme trčanja (puno opterećenje)	hr	7,0	8,0	8,0	9,0
Procenjena buka na 7m (1/2 opterećenja)	dB	70,0	70,0	70,0	70,0
Nivo napajanja zvuka, garantovano	dB	96	97	97	96
Ekvivalentan nivo zvučnog pritiska na uhu operatera	dB	73,6	74,7	74,7	73,6
Režim pokretanja		Trzaj	Trzaj	Trzaj/Električni	Trzaj
Tonkovima		-	Pribora	Pribora	-
Neto težina (kg)		41,0	73,0	78,0	46,0

46 097	47 525	46 098	46 099	47 526
GPG 6000E HD	GPG 7500TE HD	GPG 6800E HD	GPG 8500E HD	GPG 10600TE HD
Otvori okvir	Otvori okvir	Otvori okvir	Otvori okvir	Otvori okvir
230	400	230	230	400
-	7,5	-	-	10,6
6,0	2,5	6,8	8,5	8,5
-	6,9	-	-	10,0
5,5	2,3	6,3	8,0	8,0
-	17,3	-	-	25,0
23,9	10,0	27,4	34,8	34,8
3.000 min ⁻¹		3.000 min ⁻¹	3.000 min ⁻¹	
AVR	AVR	AVR	AVR	AVR
1 x 16A, 1 x 32A	1 x 16A	1 x 16A, 1 x 32A	2 x 16A, 1 x 32A	1 x 32A
-	1 x 32A	-	-	1 x 32A
1 x 8,3A	1 x 8,3A	1 x 8,3A	1 x 8,3A	1 x 8,3A
-	-	-	-	-
1	1	1	1	1
IP23M	IP23M	IP23M	IP23M	IP23M
4 moždana udara, OHV	4 moždana udara, OHV	4 moždana udara, OHV	4 moždana udara, OHV	4 moždana udara, OHV
Vazduh ohlađen	Vazduh ohlađen	Vazduh ohlađen	Vazduh ohlađen	Vazduh ohlađen
1	1	1	1	1
420,0	420,0	438,0	500,0	500,0
28,0	28,0	28,0	28,0	28,0
9,0	9,0	8,0	8,0	8,0
70,0	70,0	70,0	70,0	70,0
97	97	97	97	97
74,7	74,7	76	74,2	74,2
Trzaj/Električni	Trzaj/Električni	Trzaj/Električni	Trzaj/Električni	Trzaj/Električni
Uključene	Uključene	Uključene	Uključene	Uključene
85,5	85,5	88,0	98,0	98,0

TEHNIČKI PODACI					
Broj artikla		46 093	46 094	46 095	46 096
Model		GPG 3000 PLUS	GPG 6000 PLUS	GPG 6000E PLUS	GPG 3000 HD
Tip		Otvoren okvir	Otvoren okvir	Otvoren okvir	Otvoren okvir
Napon (AC)	V	230	230	230	230
Maks. izlazna snaga AC (400V)	kVA	-	-	-	-
Maks. izlazna snaga AC (230V)	kVA	3,0	6,0	6,0	3,0
Nazivna izlazna snaga AC (400V)	kVA	-	-	-	-
Nazivna izlazna snaga AC (230V)	kVA	2,7	5,5	5,5	2,7
Nazivna struja AC (400V)	A	-	-	-	-
Nazivna struja AC (230V)	A	11,7	23,9	23,9	11,7
Okretaja u minuti		3.000 min ⁻¹	3.000 min ⁻¹	3.000 min ⁻¹	3.000 min ⁻¹
Regulacija napona		AVR	AVR	AVR	AVR
Izlazi AC (230V)		2 x 16A	1 x 16A, 1 x 32A	1 x 16A, 1 x 32A	2 x 16A
Izlazi AC (400V)		-	-	-	-
Izlazi DC (12V)		1 x 8,3A	1 x 8,3A	1 x 8,3A	1 x 8,3A
Izlazi DC (5V)		-	-	-	-
Voltmetar		1	1	1	1
Stupanj zaštite		IP23M	IP23M	IP23M	IP23M
Stil motora		4 takta, OHV	4 takta, OHV	4 takta, OHV	4 takta, OHV
Sustav hlađenja		Hlađen zrakom	Hlađen zrakom	Hlađen zrakom	Hlađen zrakom
Cilindri		1	1	1	1
Istisnina	cc	212,0	420,0	420,0	212,0
Kapacitet spremnika goriva	L	15,0	25,0	25,0	18,0
Vrijeme rada (puno opterećenje)	hr	7,0	8,0	8,0	9,0
Procijenjena buka na 7 m (1/2 opterećenja)	dB	70,0	70,0	70,0	70,0
Razina zvučne snage, zajamčena	dB	96	97	97	96
Ekvivalentna razina zvučnog tlaka na uhu operatera	dB	73,6	74,7	74,7	73,6
Način pokretanja		trzaj	trzaj	Trzaj/Električni	Trzaj
Kotači		-	Oprema	Oprema	-
Neto težina (kg)		41,0	73,0	78,0	46,0

46 097	47 525	46 098	46 099	47 526
GPG 6000E HD	GPG 7500TE HD	GPG 6800E HD	GPG 8500E HD	GPG 10600TE HD
Otvoren okvir	Otvoren okvir	Otvoren okvir	Otvoren okvir	Otvoren okvir
230	400	230	230	400
-	7,5	-	-	10,6
6,0	2,5	6,8	8,5	8,5
-	6,9	-	-	10,0
5,5	2,3	6,3	8,0	8,0
-	17,3	-	-	25,0
23,9	10,0	27,4	34,8	34,8
3.000 min ⁻¹		3.000 min ⁻¹	3.000 min ⁻¹	
AVR	AVR	AVR	AVR	AVR
1 x 16A, 1 x 32A	1 x 16A	1 x 16A, 1 x 32A	2 x 16A, 1 x 32A	1 x 32A
-	1 x 32A	-	-	1 x 32A
1 x 8,3A	1 x 8,3A	1 x 8,3A	1 x 8,3A	1 x 8,3A
-	-	-	-	-
1	1	1	1	1
IP23M	IP23M	IP23M	IP23M	IP23M
4 takta, OHV	4 takta, OHV	4 takta, OHV	4 takta, OHV	4 takta, OHV
Hlađen zrakom	Hlađen zrakom	Hlađen zrakom	Hlađen zrakom	Hlađen zrakom
1	1	1	1	1
420,0	420,0	438,0	500,0	500,0
28,0	28,0	28,0	28,0	28,0
9,0	9,0	8,0	8,0	8,0
70,0	70,0	70,0	70,0	70,0
97	97	97	97	97
74,7	74,7	76	74,2	74,2
Trzaj/Električni	Trzaj/Električni	Trzaj/Električni	Trzaj/Električni	Trzaj/Električni
Uključeno	Uključeno	Uključeno	Uključeno	Uključeno
85,5	85,5	88,0	98,0	98,0

DATE TEHNICE					
Numarul articolului		46 093	46 094	46 095	46 096
Model		GPG 3000 PLUS	GPG 6000 PLUS	GPG 6000E PLUS	GPG 3000 HD
Tip		Rama deschisa	Rama deschisa	Rama deschisa	Rama deschisa
Tensiune (AC)	V	230	230	230	230
Max. putere de ieşire AC (400V)	kVA	-	-	-	-
Max. putere de ieşire AC (230V)	kVA	3,0	6,0	6,0	3,0
Putere nominală de ieşire AC (400V)	kVA	-	-	-	-
Putere nominală de ieşire AC (230V)	kVA	2,7	5,5	5,5	2,7
Curent nominal AC (400V)	A	-	-	-	-
Curent nominal AC (230V)	A	11,7	23,9	23,9	11,7
rotații pe minut		3.000 min ⁻¹	3.000 min ⁻¹	3.000 min ⁻¹	3.000 min ⁻¹
Reglarea tensiunii		AVR	AVR	AVR	AVR
Ieşiri AC (230V)		2 x 16A	1 x 16A, 1 x 32A	1 x 16A, 1 x 32A	2 x 16A
Ieşiri AC (400V)		-	-	-	-
Ieşiri DC (12V)		1 x 8,3A	1 x 8,3A	1 x 8,3A	1 x 8,3A
Ieşiri DC (5V)		-	-	-	-
Voltmetru		1	1	1	1
Grad de protecție		IP23M	IP23M	IP23M	IP23M
Stilul motorului		4 timpi, OHV	4 timpi, OHV	4 timpi, OHV	4 timpi, OHV
Sistem de răcire		Aer răcit	Aer răcit	Aer răcit	Aer răcit
Cilindrii		1	1	1	1
Deplasare	cc	212,0	420,0	420,0	212,0
Capacitatea rezervorului de combustibil	L	15,0	25,0	25,0	18,0
Timp de funcționare (încărcare completă)	hr	7,0	8,0	8,0	9,0
Zgomot estimat la 7 m (1/2 sarcină)	dB	70,0	70,0	70,0	70,0
Nivel de putere sonoră, garantat	dB	96	97	97	96
Nivel echivalent de presiune acustică la urechea operatorului	dB	73,6	74,7	74,7	73,6
Modul de pornire		Recul	Recul	Recul/Electric	Recul
Rotile		-	Accesorii	Accesorii	-
Greutate netă (kg)		41,0	73,0	78,0	46,0



46 097	47 525	46 098	46 099	47 526
GPG 6000E HD	GPG 7500TE HD	GPG 6800E HD	GPG 8500E HD	GPG 10600TE HD
Rama deschisa	Rama deschisa	Rama deschisa	Rama deschisa	Rama deschisa
230	400	230	230	400
-	7,5	-	-	10,6
6,0	2,5	6,8	8,5	8,5
-	6,9	-	-	10,0
5,5	2,3	6,3	8,0	8,0
-	17,3	-	-	25,0
23,9	10,0	27,4	34,8	34,8
3.000 min ⁻¹		3.000 min ⁻¹	3.000 min ⁻¹	
AVR	AVR	AVR	AVR	AVR
1 x 16A, 1 x 32A	1 x 16A	1 x 16A, 1 x 32A	2 x 16A, 1 x 32A	1 x 32A
-	1 x 32A	-	-	1 x 32A
1 x 8,3A	1 x 8,3A	1 x 8,3A	1 x 8,3A	1 x 8,3A
-	-	-	-	-
1	1	1	1	1
IP23M	IP23M	IP23M	IP23M	IP23M
4 timpi, OHV	4 timpi, OHV	4 timpi, OHV	4 timpi, OHV	4 timpi, OHV
Aer răcit	Aer răcit	Aer răcit	Aer răcit	Aer răcit
1	1	1	1	1
420,0	420,0	438,0	500,0	500,0
28,0	28,0	28,0	28,0	28,0
9,0	9,0	8,0	8,0	8,0
70,0	70,0	70,0	70,0	70,0
97	97	97	97	97
74,7	74,7	76	74,2	74,2
Recul/Electric	Recul/Electric	Recul/Electric	Recul/Electric	Recul/Electric
Inclus	Inclus	Inclus	Inclus	Inclus
85,5	85,5	88,0	98,0	98,0

MŰSZAKI ADATOK					
Cikkszám		46 093	46 094	46 095	46 096
Modell		GPG 3000 PLUS	GPG 6000 PLUS	GPG 6000E PLUS	GPG 3000 HD
Típus		Nyitott keret	Nyitott keret	Nyitott keret	Nyitott keret
Feszültség (AC)	V	230	230	230	230
Max. AC kimeneti teljesítmény (400V)	kVA	-	-	-	-
Max. AC kimeneti teljesítmény (230V)	kVA	3,0	6,0	6,0	3,0
Névleges kimeneti teljesítmény AC (400V)	kVA	-	-	-	-
Névleges kimeneti teljesítmény AC (230V)	kVA	2,7	5,5	5,5	2,7
Névleges váltóáram (400V)	A	-	-	-	-
Névleges áram AC (230V)	A	11,7	23,9	23,9	11,7
Percenkénti fordulatszám		3.000 min ⁻¹	3.000 min ⁻¹	3.000 min ⁻¹	3.000 min ⁻¹
Feszültségszabályozás		AVR	AVR	AVR	AVR
AC kimenetek (230V)		2 x 16A	1 x 16A, 1 x 32A	1 x 16A, 1 x 32A	2 x 16A
AC kimenetek (400V)		-	-	-	-
Kimenetek DC (12V)		1 x 8,3A	1 x 8,3A	1 x 8,3A	1 x 8,3A
Kimenetek DC (5V)		-	-	-	-
Voltmérő		1	1	1	1
Védettségi fok		IP23M	IP23M	IP23M	IP23M
Motor stílus		4 ütemű, OHV	4 ütemű, OHV	4 ütemű, OHV	4 ütemű, OHV
Hűtőrendszer		Légűtéses	Légűtéses	Légűtéses	Légűtéses
Hengerek		1	1	1	1
Elmozdulás	cc	212,0	420,0	420,0	212,0
Üzemanyagtartály kapacitás	L	15,0	25,0	25,0	18,0
Működési idő (teljes terhelés)	hr	7,0	8,0	8,0	9,0
Becsült zaj 7 méteren (1/2 terhelés)	dB	70,0	70,0	70,0	70,0
Hangteljesít ményszint, garantált	dB	96	97	97	96
Egyenértékű hangnyomásszint a kezelő fülénél	dB	73,6	74,7	74,7	73,6
Indítási mód		Visszarúg	Visszarúg	Visszarúgás/ Elektromos	Visszarúg
Kerekek		-	Tartozék	Tartozék	-
Nettó tömeg (kg)		41,0	73,0	78,0	46,0

46 097	47 525	46 098	46 099	47 526
GPG 6000E HD	GPG 7500TE HD	GPG 6800E HD	GPG 8500E HD	GPG 10600TE HD
Nyitott keret	Nyitott keret	Nyitott keret	Nyitott keret	Nyitott keret
230	400	230	230	400
-	7,5	-	-	10,6
6,0	2,5	6,8	8,5	8,5
-	6,9	-	-	10,0
5,5	2,3	6,3	8,0	8,0
-	17,3	-	-	25,0
23,9	10,0	27,4	34,8	34,8
3.000 min ⁻¹		3.000 min ⁻¹	3.000 min ⁻¹	
AVR	AVR	AVR	AVR	AVR
1 x 16A, 1 x 32A	1 x 16A	1 x 16A, 1 x 32A	2 x 16A, 1 x 32A	1 x 32A
-	1 x 32A	-	-	1 x 32A
1 x 8,3A	1 x 8,3A	1 x 8,3A	1 x 8,3A	1 x 8,3A
-	-	-	-	-
1	1	1	1	1
IP23M	IP23M	IP23M	IP23M	IP23M
4 ütemű, OHV	4 ütemű, OHV	4 ütemű, OHV	4 ütemű, OHV	4 ütemű, OHV
Léghűtéses	Léghűtéses	Léghűtéses	Léghűtéses	Léghűtéses
1	1	1	1	1
420,0	420,0	438,0	500,0	500,0
28,0	28,0	28,0	28,0	28,0
9,0	9,0	8,0	8,0	8,0
70,0	70,0	70,0	70,0	70,0
97	97	97	97	97
74,7	74,7	76	74,2	74,2
Visszarúgás/ Elektromos	Visszarúgás/ Elektromos	Visszarúgás/ Elektromos	Visszarúgás/ Elektromos	Visszarúgás/ Elektromos
Beleértve	Beleértve	Beleértve	Beleértve	Beleértve
85,5	85,5	88,0	98,0	98,0

TECHNINIAI DUOMENYS					
Straipsnio numeris		46 093	46 094	46 095	46 096
Modelis		GPG 3000 PLUS	GPG 6000 PLUS	GPG 6000E PLUS	GPG 3000 HD
Tipas		Atidarykite rėmą	Atidarykite rėmą	Atidarykite rėmą	Atidarykite rėmą
Įtampa (AC)	V	230	230	230	230
Maks. kintamosios srovės išėjimo galia (400 V)	kVA	-	-	-	-
Maks. kintamosios srovės išėjimo galia (230 V)	kVA	3,0	6,0	6,0	3,0
Nominali išėjimo galia kintamoji srovė (400 V)	kVA	-	-	-	-
Nominali išėjimo galia kintamoji srovė (230 V)	kVA	2,7	5,5	5,5	2,7
Nominali srovė kintamoji srovė (400 V)	A	-	-	-	-
Nominali srovė kintamoji srovė (230 V)	A	11,7	23,9	23,9	11,7
Apsisukimai per minutę		3.000 min ⁻¹	3.000 min ⁻¹	3.000 min ⁻¹	3.000 min ⁻¹
Įtampos reguliavimas		AVR	AVR	AVR	AVR
AC išėjimai (230 V)		2 x 16A	1 x 16A, 1 x 32A	1 x 16A, 1 x 32A	2 x 16A
AC išėjimai (400 V)		-	-	-	-
Išėjimai DC (12V)		1 x 8,3A	1 x 8,3A	1 x 8,3A	1 x 8,3A
Išėjimai DC (5V)		-	-	-	-
Voltmetras		1	1	1	1
Apsaugos laipsnis		IP23M	IP23M	IP23M	IP23M
Variklio stilius		4 taktų, OHV	4 taktų, OHV	4 taktų, OHV	4 taktų, OHV
Vėsinimo sistema		Aušinamas oru	Aušinamas oru	Aušinamas oru	Aušinamas oru
Cilindrai		1	1	1	1
Poslinkis	cc	212,0	420,0	420,0	212,0
Kuro bako talpa	L	15,0	25,0	25,0	18,0
Veikimo laikas (visa apkrova)	hr	7,0	8,0	8,0	9,0
Numatomas triukšmas 7 m atstumu (1/2 apkrova)	dB	70,0	70,0	70,0	70,0
Garso galios lygis, garantuotas	dB	96	97	97	96
Ekvivalentinis garso slėgio lygis operatoriaus ausyje	dB	73,6	74,7	74,7	73,6
Paleidimo režimas		Atsitraukimas	Atsitraukimas	Atsitraukimas/ Elektrinis	Atsitraukimas
Ratai		-	Priedas	Priedas	-
Grynavis svoris (kg)		41,0	73,0	78,0	46,0

46 097	47 525	46 098	46 099	47 526
GPG 6000E HD	GPG 7500TE HD	GPG 6800E HD	GPG 8500E HD	GPG 10600TE HD
Atidarykite rėmą	Atidarykite rėmą	Atidarykite rėmą	Atidarykite rėmą	Atidarykite rėmą
230	400	230	230	400
-	7,5	-	-	10,6
6,0	2,5	6,8	8,5	8,5
-	6,9	-	-	10,0
5,5	2,3	6,3	8,0	8,0
-	17,3	-	-	25,0
23,9	10,0	27,4	34,8	34,8
3.000 min ⁻¹		3.000 min ⁻¹	3.000 min ⁻¹	
AVR	AVR	AVR	AVR	AVR
1 x 16A, 1 x 32A	1 x 16A	1 x 16A, 1 x 32A	2 x 16A, 1 x 32A	1 x 32A
-	1 x 32A	-	-	1 x 32A
1 x 8,3A	1 x 8,3A	1 x 8,3A	1 x 8,3A	1 x 8,3A
-	-	-	-	-
1	1	1	1	1
IP23M	IP23M	IP23M	IP23M	IP23M
4 taktų, OHV	4 taktų, OHV	4 taktų, OHV	4 taktų, OHV	4 taktų, OHV
Aušinamas oru	Aušinamas oru	Aušinamas oru	Aušinamas oru	Aušinamas oru
1	1	1	1	1
420,0	420,0	438,0	500,0	500,0
28,0	28,0	28,0	28,0	28,0
9,0	9,0	8,0	8,0	8,0
70,0	70,0	70,0	70,0	70,0
97	97	97	97	97
74,7	74,7	76	74,2	74,2
Atsitraukimas/ Elektrinis	Atsitraukimas/ Elektrinis	Atsitraukimas/ Elektrinis	Atsitraukimas/ Elektrinis	Atsitraukimas/ Elektrinis
Įskaitant	Įskaitant	Įskaitant	Įskaitant	Įskaitant
85,5	85,5	88,0	98,0	98,0

EN	EU DECLARATION OF CONFORMITY		We declare under our sole responsibility that the listed products comply with all applicable provisions of the below directives and are also in conformity with the following standards. Production year and serial number are on the product. The relative technical file is at the below address.	
	GASOLINE GENERATOR			
	MODEL	Article number		
FR	DÉCLARATION CE DE CONFORMITÉ		Nous déclarons sous notre propre responsabilité que les produits décrits sont conformes à toutes les dispositions applicables des directives ci-dessous et sont également conformes aux normes suivantes. L'année de production et le numéro de série figurent sur le produit. Le dossier technique correspondant est à l'adresse ci-dessous.	
	GÉNÉRATEUR À ESSENCE			
	MODÈLE	Numéro de l'article		
IT	DICHIAZIONE CE DI CONFORMITÀ		Dichiaro sotto la nostra piena responsabilità che i prodotti indicati sono conformi a tutte le disposizioni applicabili delle seguenti direttive e sono inoltre conformi alle seguenti norme. Anno di produzione e numero di serie sono sul prodotto. La relativa scheda tecnica è al seguente indirizzo.	
	GENERATORE DI CORRENTE A BENZINA			
	MODELLO	Codice prodotto		
EL	ΔΗΛΩΣΗ ΣΥΜΜΟΡΦΩΣΗΣ EK		Δηλώνουμε με αποκλειστική μας ευθύνη, ότι τα αναφερόμενα προϊόντα συμμορφώνονται με όλες τις σχετικές διατάξεις των κάτωθι οδηγιών και είναι επίσης σύμφωνα με τα ακόλουθα πρότυπα. Το έτος παραγωγής και ο σειριακός αριθμός αναγράφονται στο προϊόν. Ο τεχνικός φάκελος είναι στην παρακάτω διεύθυνση.	
	ΓΕΝΗΤΡΙΑ ΒΕΝΖΙΝΗΣ			
	ΜΟΝΤΕΛΟ	Κωδικός προϊόντος		
SR	CE IZJAVA O USAGLAŠENOSTI		Na sopstvenu odgovornost izjavljujemo, da navedeni proizvodi poštuju sve važeće odredbe dole navedenih direktiva i da su takođe u skladu sa sledećim standardima. Proizvodna godina i serijski broj su na proizvodu. Relativna tehnološka datoteka je na donje adrese.	
	BENZINSKI GENERATOR ZA STRUJU			
	MODEL	Broj predmeta		
HR	EU IZJAVA O SUKLADNOSTI		Pod punom odgovornošću izjavljujemo da navedeni proizvodi u skladu sa svim primjenjivim odredbama dole navedenih direktiva, a također su u skladu sa sljedećim standardima. Godina proizvodnje i serijski broj su na proizvodu. Relativna tehnička datoteka nalazi se na donjoj adresi.	
	GENERATOR ZA STRUJU SA BENZINSKIM			
	MODEL	Broj artikla		
RO	DECLARAȚIE DE CONFORMITATE UE		Declarăm pe proprie răspundere că produsele menționate respectă toate prevederile aplicabile din directivele de mai jos și sunt, de asemenea, conforme cu următoarele standarde. Anul de producție și numărul de serie sunt pe produs. Fișierul tehnic relativ se află la adresa de mai jos.	
	GENERATOR BENZINA			
	MODEL	Număr articol		
HU	EU MEGFELELŐSÉGI NYILATKOZAT		Kijelentjük kizárólagos felelősségünkre, hogy a felsorolt termékek megfelelnek az alábbi irányelvek összes vonatkozó rendelkezésének, és megfelelnek a következő szabványoknak is. A gyártási év és a sorozatszám a termékben található. A relatív műszaki fájl az alábbi címen található.	
	BENZINES GENERÁTOR			
	MODELL	Cikk szám		
LT	ES ATITIKTIES DEKLARACIJA		Mes, prisiimdami visą atsakomybę, pareiškiame, kad išvardyti produktai atitinka visas taikomas toliau nurodytų direktyvų nuostatas ir taip pat atitinka šiuos standartus. Gamybės metai ir serijos numeris yra ant gaminio. Santykinis technologinis failas yra žemiau nurodytu adresu.	
	BENZININIS GENERATORIUS			
	MODELIS	Straipsnis Numeris		
GPG 3000 PLUS GPG 6000 PLUS GPG 6000E PLUS GPG 3000 HD GPG 6000E HD		46 093 46 094 46 095 46 096 46 097 47 525	2006/42/EC	EN ISO 8528-13:2016
			2014/30/EU	EN 55012:2007/A1:2009 EN 61000-6-1:2007
			2005/88/EC 2000/14/EU	EN ISO 3744:1995 ISO 8528-10:1998
			2016/1628/EU	
GPG 6800E HD GPG 8500E HD GPG 10600TE HD		46 098 46 099 47 526	2006/42/EC	EN ISO 8528-13:2016 EN 60204-1:2018
			2014/30/EU	EN 55012:2007/A1:2009
			2005/88/EC 2000/14/EU	EN ISO 3744:1995 ISO 8528-10:1998
			2016/1628/EU	
Aimilios G. Theodorou Electrical Engineer, Safety Officer  5/8/2024 FF GROUP TOOL INDUSTRIES S.A. 193 00 Aspropyrgos, Greece.		FF GROUP TOOL INDUSTRIES S.A. 9.5 km Attiki Odos, 193 00 Aspropyrgos, Greece, Tel: +30 211 850 9500		



FF GROUP TOOL INDUSTRIES S.A.



9,5 Km Attiki Odos



193 00 Aspropyrgos, Greece



+30 211 85 09 500



info@ffgroup-toolindustries.com



www.ffgroup-tools.com