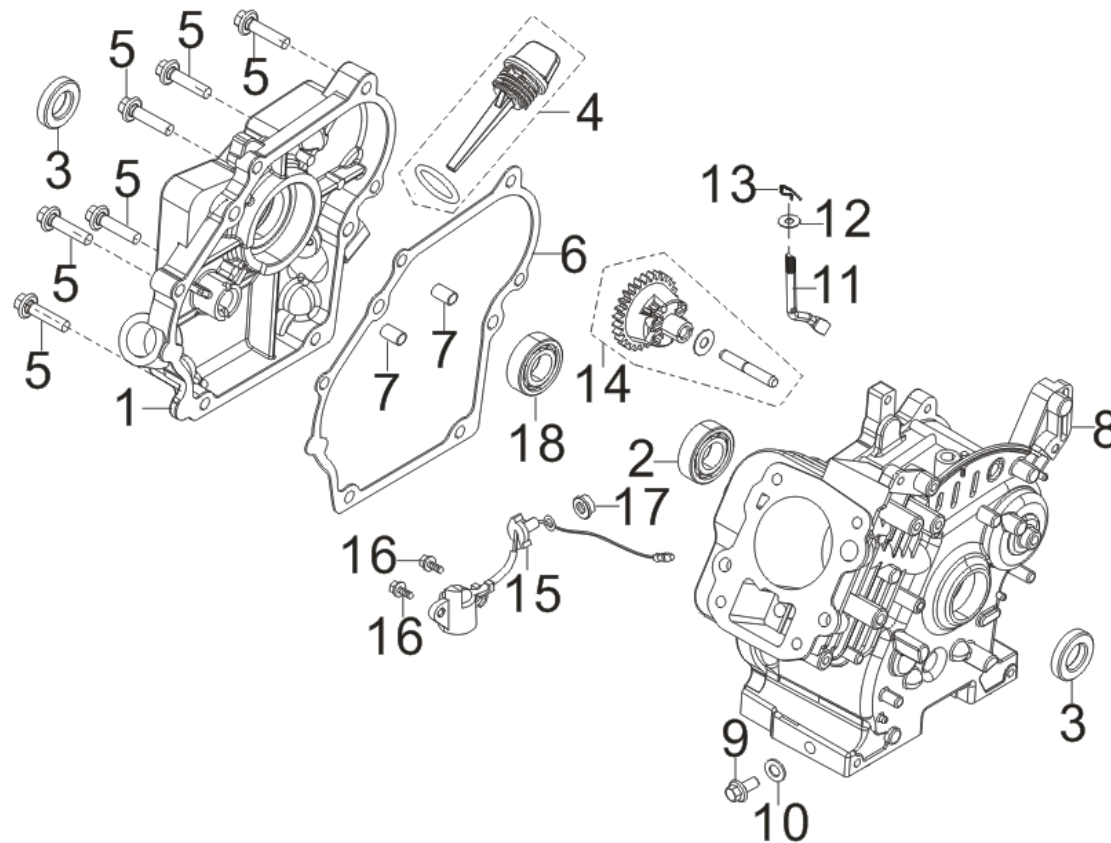
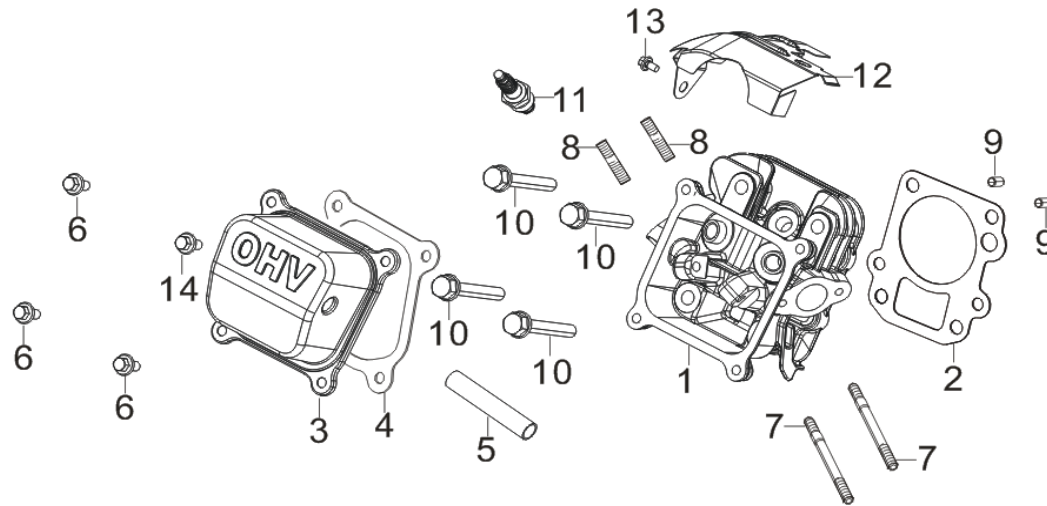


E01



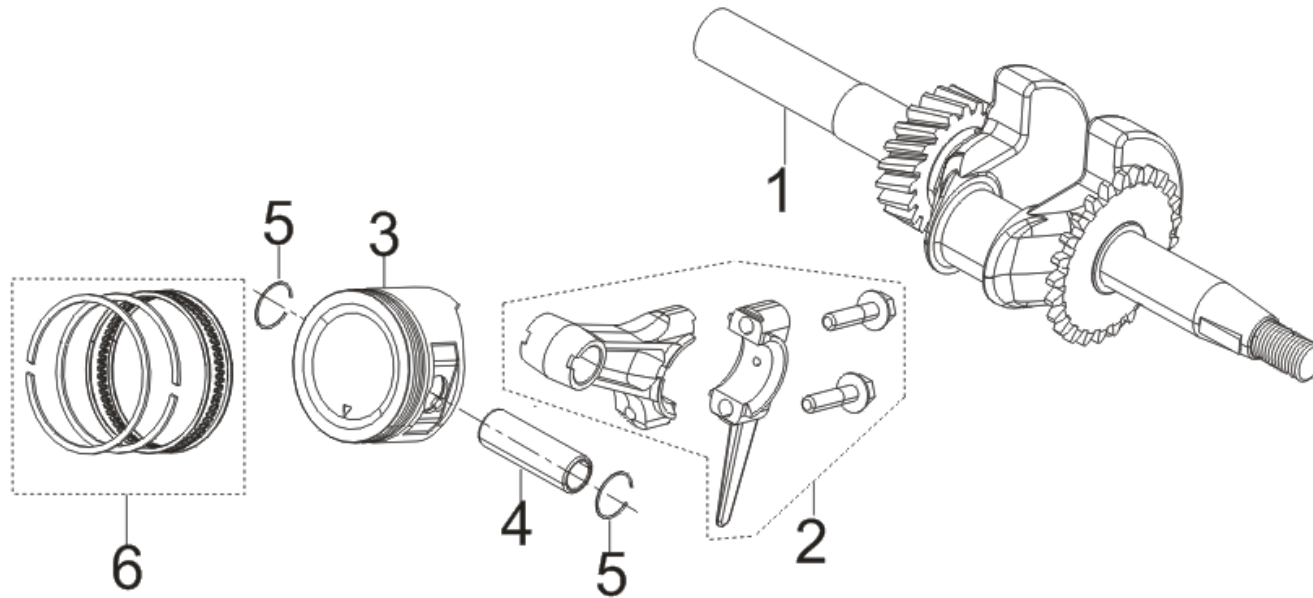
POS.	CODE	DESCRIPTION	QTY
E01-1	A13031	CRANKCASE COVER	1
E01-2	A10676	DEEP GROOVE BALL BEARING	1
E01-3	A13087	OIL SEAL	2
E01-4	A13003	OIL DIPSTICK	1
E01-5	A08502	HEXAGON SOCKET FLANGE FACE BOLT	6
E01-6	A13096	CRANKCASE GASKET	1
E01-7	A08550	POSITION PIN	2
E01-8	A13062	CRANKCASE	1
E01-9	A08287	DRAIN PLUG BOLT	1
E01-10	A08482	FLAT WASHER	1
E01-11	A13047	GOVERNOR ARM	1
E01-12	A08610	FLAT WASHER	1
E01-13	A08951	COTTER PIN	1
E01-14	A13002	GOVERNOR GEAR	1
E01-15	A12996	ENGINE OIL SENSOR	1
E01-16	A08852	BOLT	2
E01-17	A08485	HEXAGON NUT WITH FLANGE	1
E01-18	A13059	DEEP GROOVE BALL BEARING	1

E03



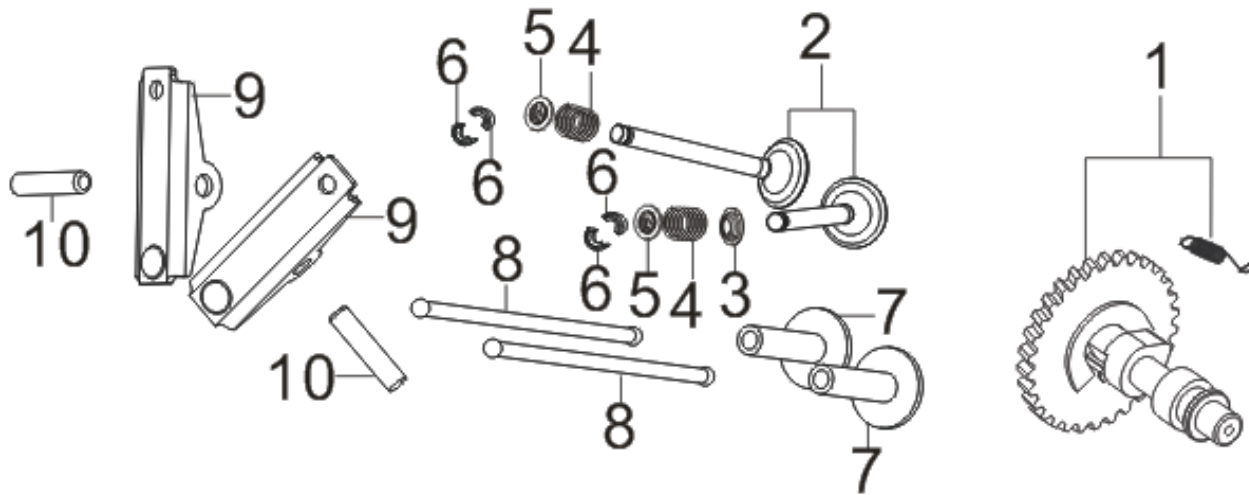
POS.	CODE	DESCRIPTION	QTY
E03-1	A13040	CYLINDER HEAD	1
E03-2	A13099	CYLINDER HEAD GASKET	1
E03-3	A13034	CYLINDER HEAD COVER	1
E03-4	A13097	CYLINDER HEAD COVER GASKET	1
E03-5	A13082	BREATHER TUBE	1
E03-6	A08968	HEXAGON SOCKET FLANGE FACE BOLT	3
E03-7	A08488	STUD BOLT	2
E03-8	A08556	STUD BOLT	2
E03-9	A08902	POSITION PIN	2
E03-10	A13000	CYLINDER HEAD BOLT	4
E03-11	A08770	SPARK PLUG A5RTC	1
E03-12	A13010	CYLINDER BODY SHROUD	1
E03-13	A08494	HEXAGON SOCKET FLANGE FACE BOLT	1
E03-14	A08852	HEXAGON SOCKET FLANGE FACE BOLT	1

E04



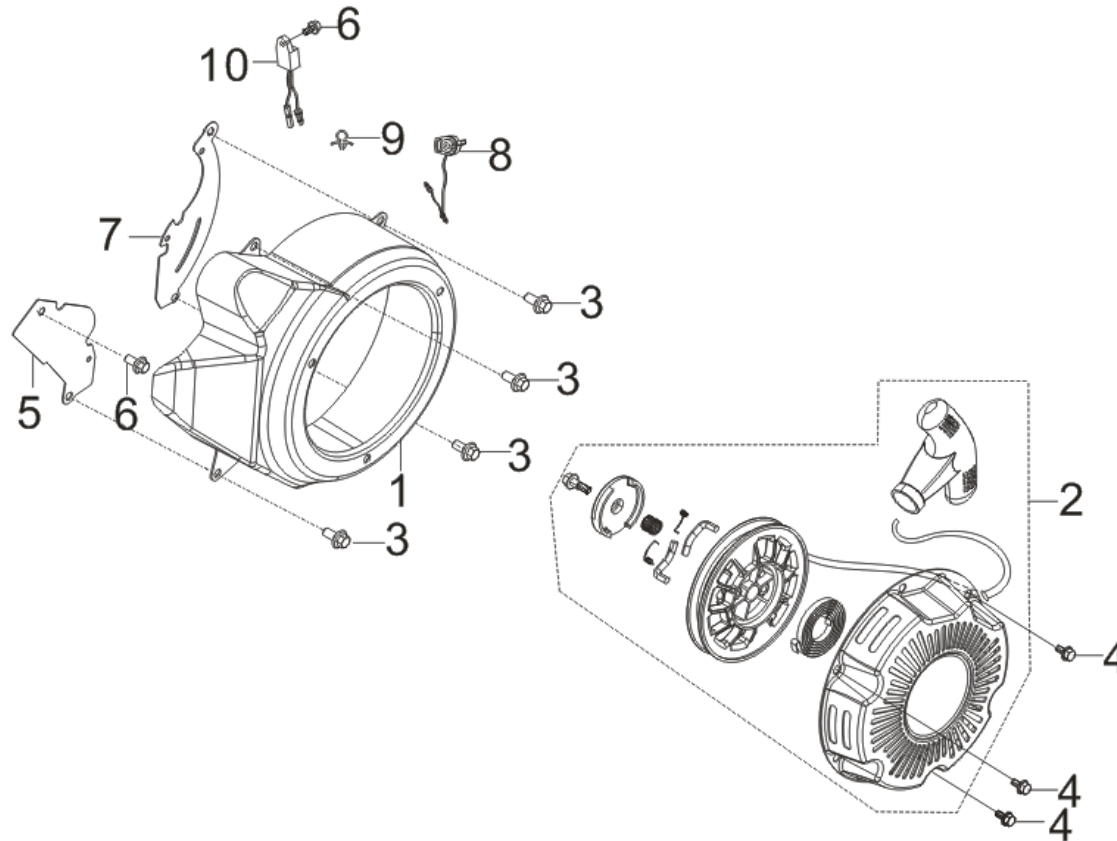
POS.	CODE	DESCRIPTION	QTY
E04-1	A10805	CRANKSHAFT ASSEMBLY	1
E04-2	A13048	CONNECTING ROD	1
E04-3	A13023	PISTON	1
E04-4	A13052	PISTON PIN	1
E04-5	A12997	PISTON PIN CLIP	2
E04-6	A13018	PISTON RING SET	1

E06



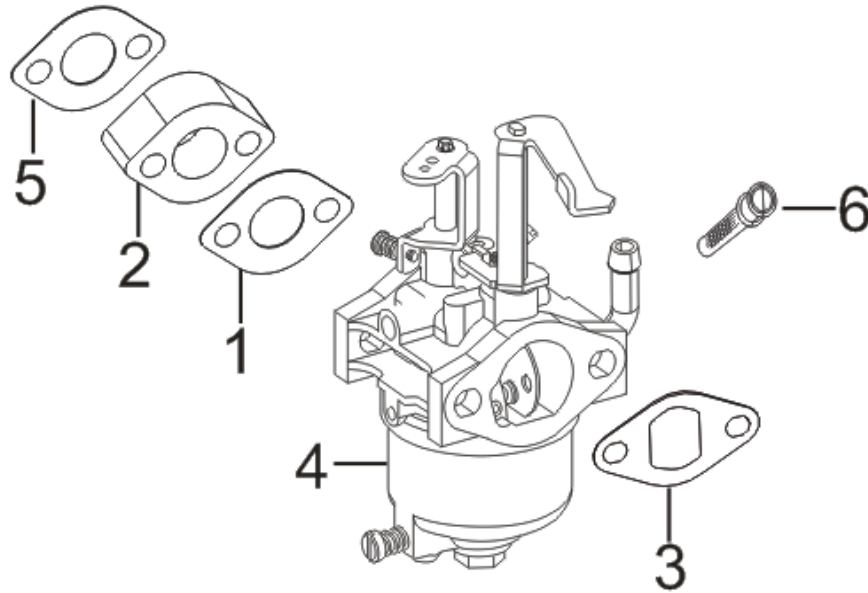
POS.	CODE	DESCRIPTION	QTY
E06-1	A13009	CAMSHAFT ASSEMBLY	1
E06-2	A13060	VALVES SET	1
E06-3	A08299	SEAL GUIDE	1
E06-4	A13021	VALVE SPRING	2
E06-5	A08301	VALVE SPRING SEAT	2
E06-6	A08302	VALVE LOCK CLAMP	4
E06-7	A11327	VALVE TAPPET	2
E06-8	A13104	LIFTER, VALVE	2
E06-9	A13042	ROCKER VALVE	2
E06-10	A09049	VALVE ROCKER SHAFT	2

E07



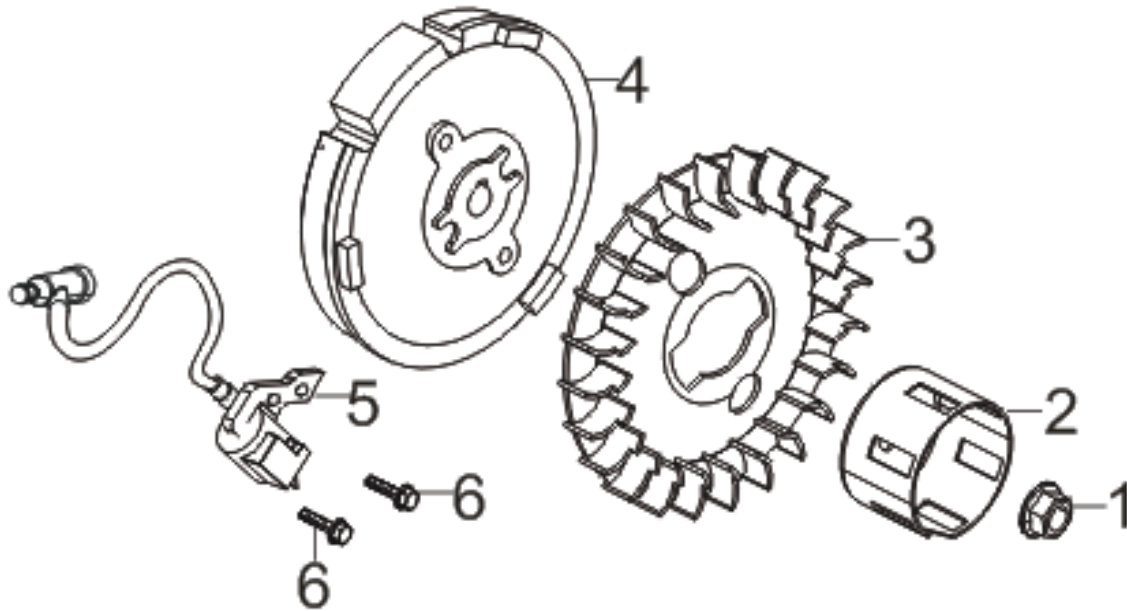
POS.	CODE	DESCRIPTION	QTY
E07-1	A12995	SHROUD	1
E07-2	A13078	STARTER RECOIL ASSEMBLY	1
E07-3	A08968	HEXAGON SOCKET FLANGE FACE BOLT	4
E07-4	A08613	HEXAGON SOCKET FLANGE FACE BOLT	3
E07-5	A13011	CRANKCASE AIR DEFLECTOR	1
E07-6	A08494	HEXAGON SOCKET FLANGE FACE BOLT	2
E07-7	A13055	SHROUD	1
E07-8	A13004	STOP ENGINE SWITCH	1
E07-9	A09770	WIRE CLIP	1
E07-10	A08615	PROTECTOR, OIL	1

E09



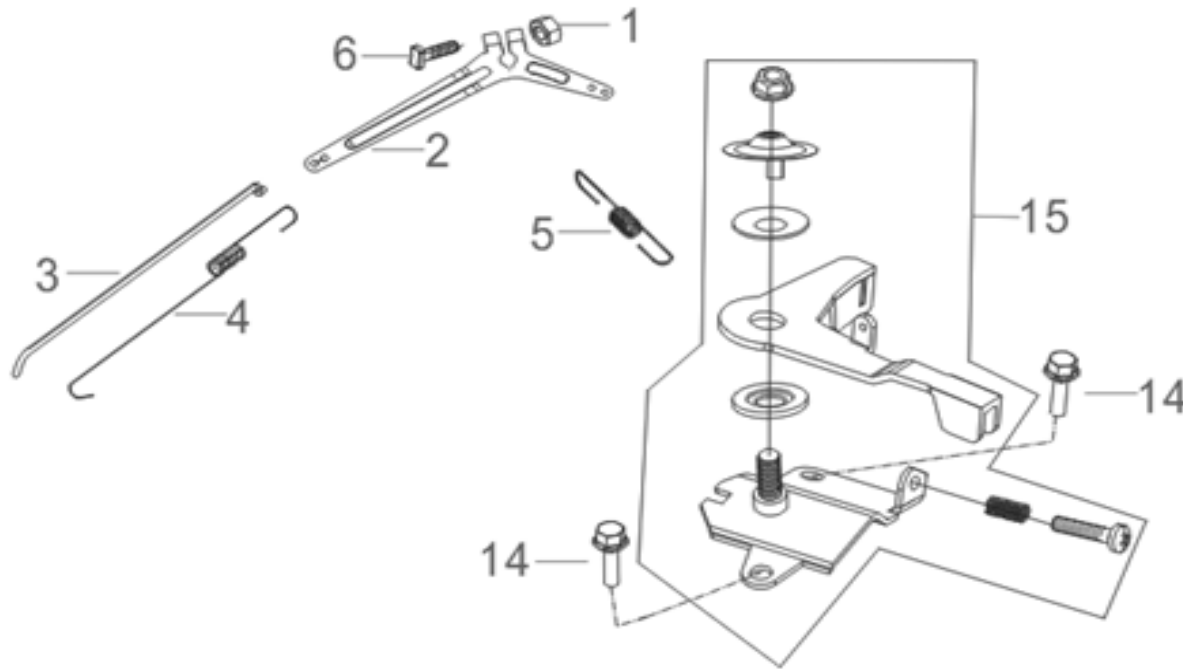
POS.	CODE	DESCRIPTION	QTY
E09-1	A13098	CARBURETOR SEAL GASKET	1
E09-2	A13041	CARBURETOR INSULATOR PLATE	1
E09-3	A13100	AIR CLEANER SEAL GASKET	1
E09-4	A13035	CARBURETOR	1
E09-5	A13094	INLET GASKET	1
E09-6	A08780	FUEL STRAINER	1

E10



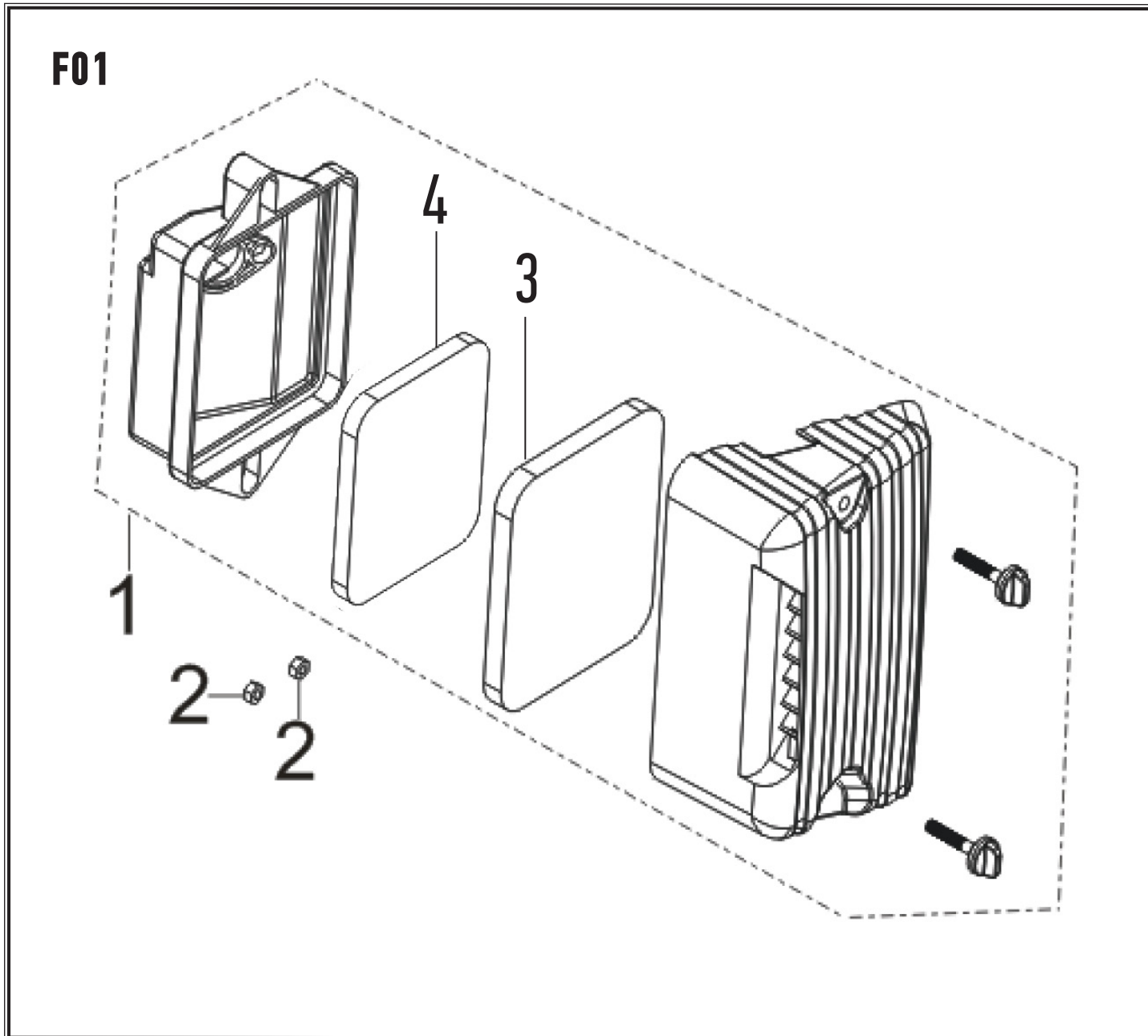
POS.	CODE	DESCRIPTION	QTY
E10-1	A08437	FLYWHEEL NUT	1
E10-2	A13043	STARTER PULLEY	1
E10-3	A13102	IMPELLER	1
E10-4	A13001	FLYWHEEL	1
E10-5	A13028	IGNITION COIL	1
E10-6	A08671	HEXAGON SOCKET FLANGE FACE BOLT	2

E11

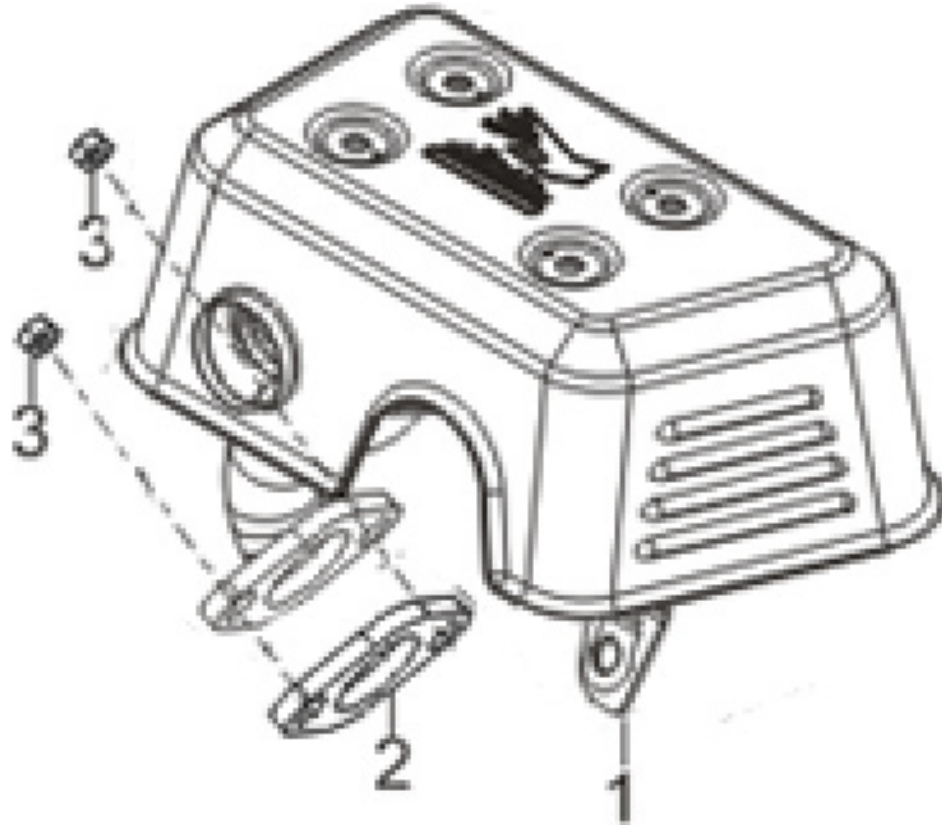


POS.	CODE	DESCRIPTION	QTY
E11-1	A08506	NUT	1
E11-2	A13088	GOVERNOR BRACKET	1
E11-3	A13050	GOVERNOR ROD	1
E11-4	A13022	THROTTLE VALVE RETURNING SPRING	1
E11-5	A13020	GOVERNOR SPRING	1
E11-6	A08505	GOVERNOR SUPPORT BOLT	1
E11-14	A08613	HEXAGON SOCKET FLANGE FACE BOLT	2
E11-15	A13103	THROTTLE CONTROL	1

POS.	CODE	DESCRIPTION	QTY
F01-1	A13093	AIR FILTER	1
F01-2	A08506	NUT	2
F01-3	A11328	AIR FILTER ELEMENT	1
F01-4	A11329	AIR FILTER ELEMENT	1

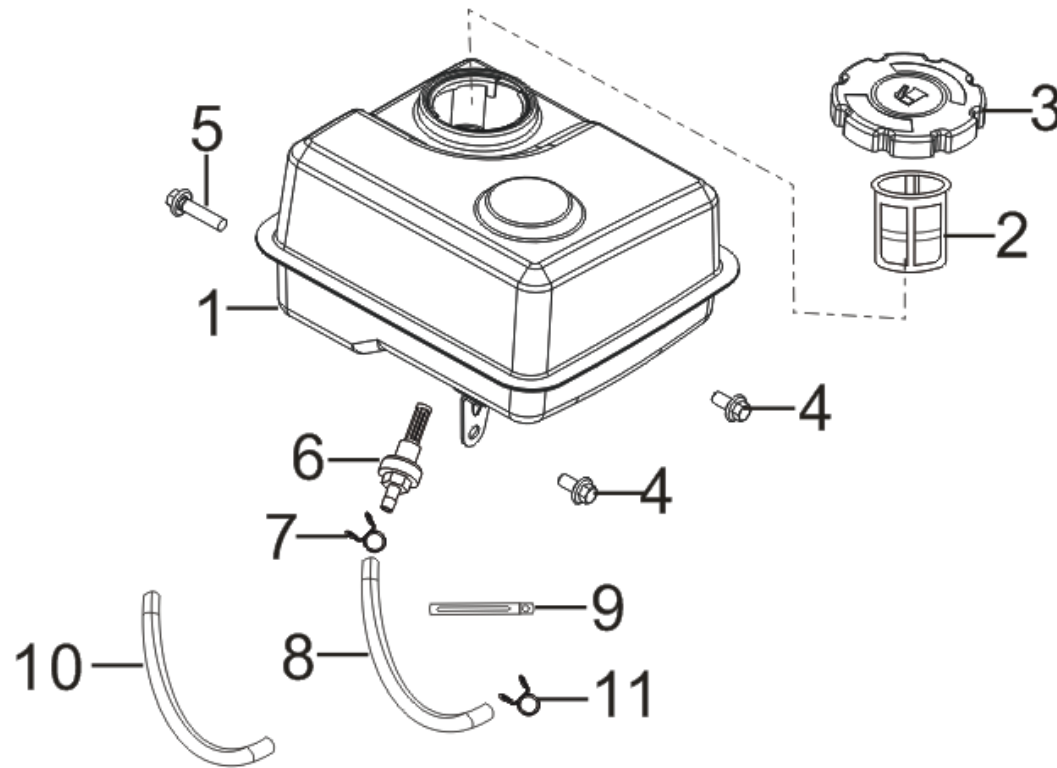


F02



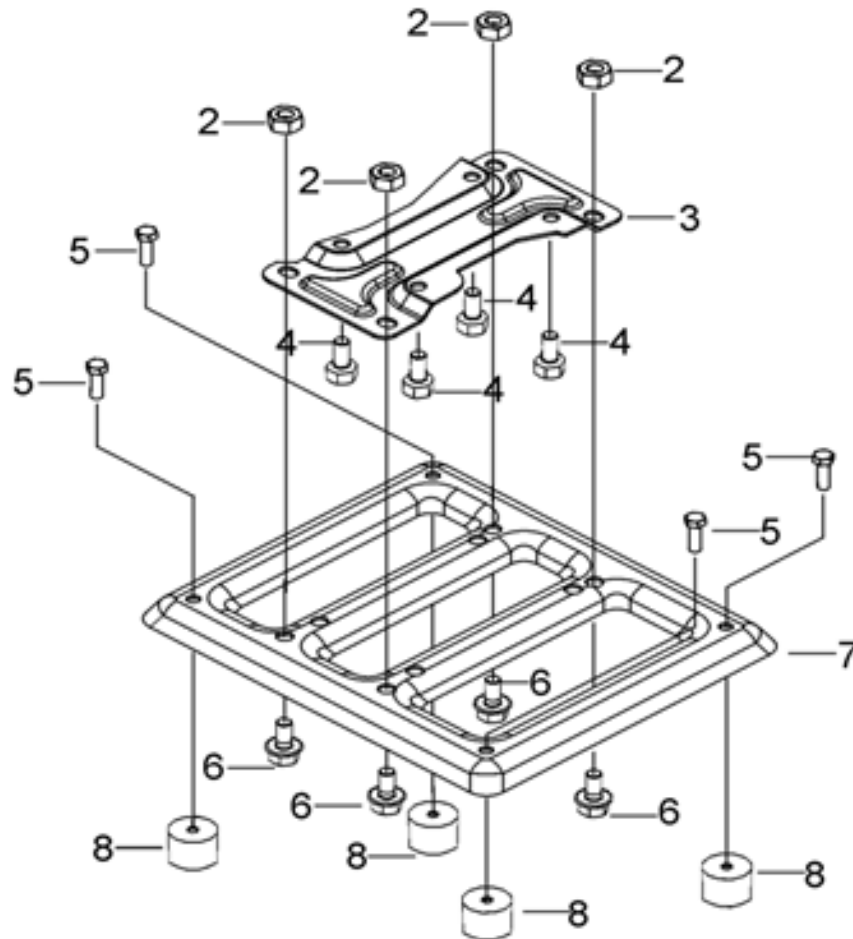
POS.	CODE	DESCRIPTION	QTY
F02-1	A13024	MUFFLER ASSEMBLY	1
F02-2	A13095	EXHAUST OUTLET GASKET	1
F02-3	A08747	NUT	2

F03



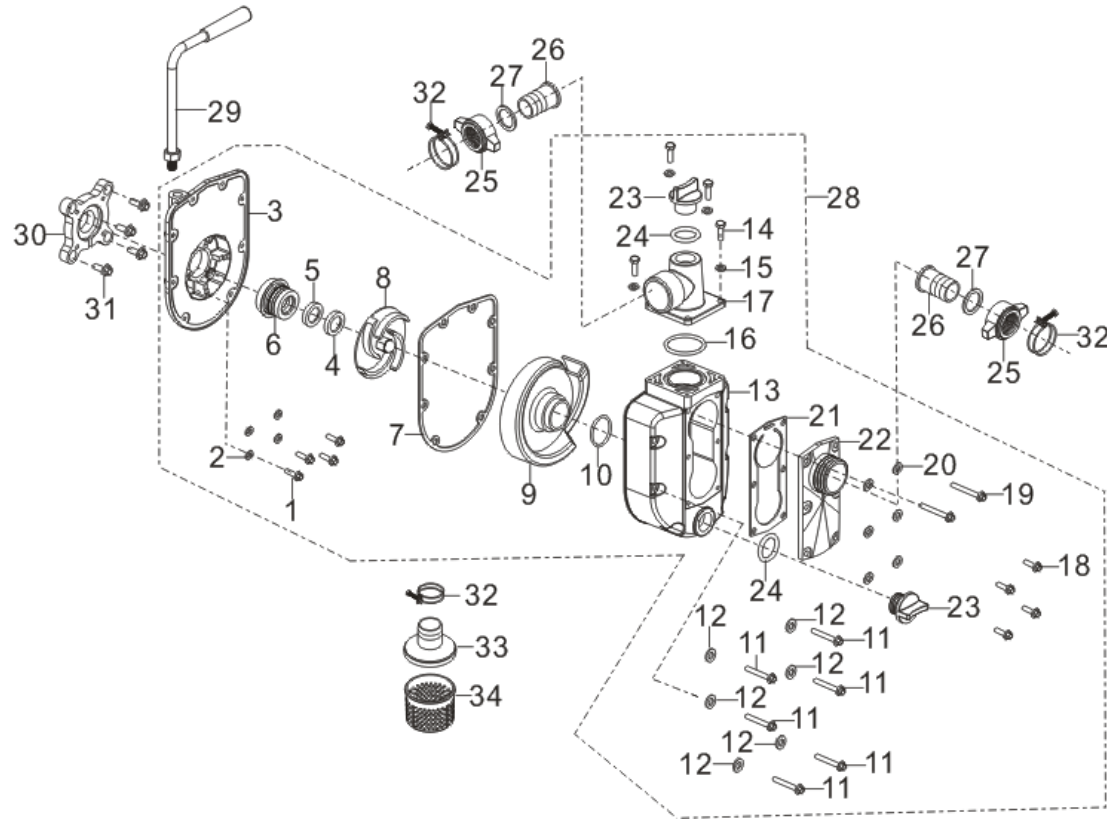
POS.	CODE	DESCRIPTION	QTY
F03-1	A13008	FUEL TANK	1
F03-2	A11234	FUEL STRAINER	1
F03-3	A11333	FUEL TANK COVER	1
F03-4	A08968	HEXAGON SOCKET FLANGE FACE BOLT	2
F03-5	A08968	HEXAGON SOCKET FLANGE FACE BOLT	1
F03-6	A09934	FUEL TANK OIL OUTLET	1
F03-7	A08816	COLLAR	1
F03-8	A13084	FUEL TUBE	1
F03-9	A08924	WIRE CLIP	1
F03-10	A09936	RUBBER JACKET	1
F03-11	A13079	COLLAR	1

F04



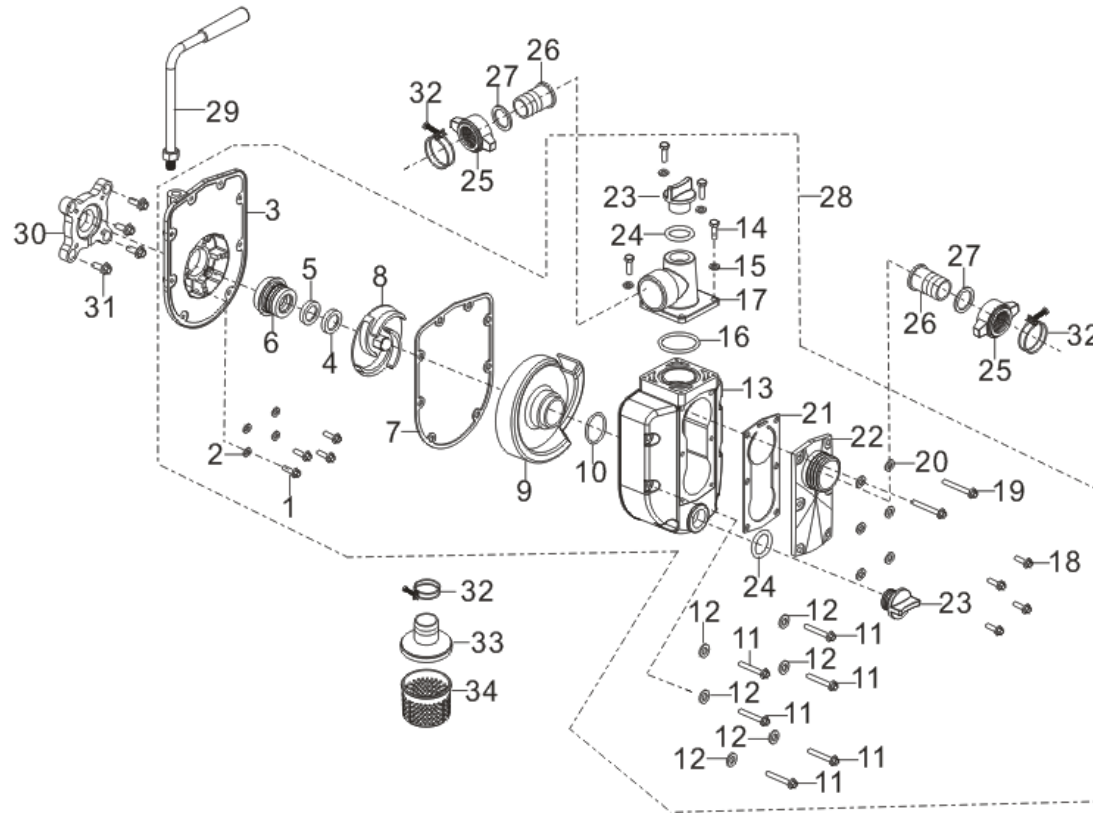
POS.	CODE	DESCRIPTION	QTY
F04-2	A11017	NUT	4
F04-3	A11289	ENGINE FIXED BOTTOM PLATE	1
F04-4	A08624	HEXAGON SOCKET FLANGE FACE BOLT	4
F04-5	A08494	HEXAGON SOCKET FLANGE FACE BOLT	4
F04-6	A09026	HEXAGON SOCKET FLANGE FACE BOLT	4
F04-7	A11055	BOTTOM PLATE	1
F04-8	A11185	ENGINE FRAME SHOCK ABSORPTION SEAT	4

F61



POS.	CODE	DESCRIPTION	QTY
F61-1	A10686	HEXAGON SOCKET FLANGE FACE BOLT	4
F61-2	A10856	WASHER	4
F61-3	A10989	WATER PUMP JOINT	1
F61-4	A11133	IMPELLER SEAL RING	1
F61-5	A11176	PORCELAIN SEAL	1
F61-6	A11160	MECHANISM SEAL	1
F61-7	A10812	WATER PUMP JOINT CUSHION	1
F61-8	A10944	WATER PUMP IMPELLER	1
F61-9	A10742	WHORL CASE	1
F61-10	A11111	WHORL CASE SEALING RIGN	1
F61-11	A10687	HEXAGON SOCKET FLANGE FACE BOLT	6
F61-12	A10856	WASHER	6
F61-13	A11095	PUMP BODY	1
F61-14	A11286	HEXAGON SOCKET FLANGE FACE BOLT	4
F61-15	A10856	WASHER	4
F61-16	A10906	OUTLET GASKET	1
F61-17	A11026	WATER OUTLET	1
F61-18	A10686	HEXAGON SOCKET FLANGE FACE BOLT	4
F61-19	A10685	HEXAGON SOCKET FLANGE FACE BOLT	2
F61-20	A10856	WASHER	6
F61-21	A10895	INLET WATER GASKET	1
F61-22	A10953	INLET WATER	1
F61-23	A11069	THREAD PLUG	2
F61-24	A11291	SCREW PLUG WASHER	2

F61



POS.	CODE	DESCRIPTION	QTY
F61-25	A10976	HOSE JOINT	2
F61-26	A10962	HOSE INTERFACE	2
F61-27	A11122	HOSE JOINT SEAL RING	2
F61-28	A11084	WATER PUMP ASSEMBLY	1
F61-29	A10921	HANDLE TUBE	1
F61-30	A11302	CONNECTION PLATE	1
F61-31	A11301	HEXAGON SOCKET HEAD CAP SCREW	4
F61-32	A10933	HOSE HOOP	3
F61-33	A10787	FILTER COVER	1
F61-34	A10832	FILTER	1