



Company name  
 Respons. Department  
 Person in charge  
 Phone number  
 Fax no  
 E-mail address

Receiver

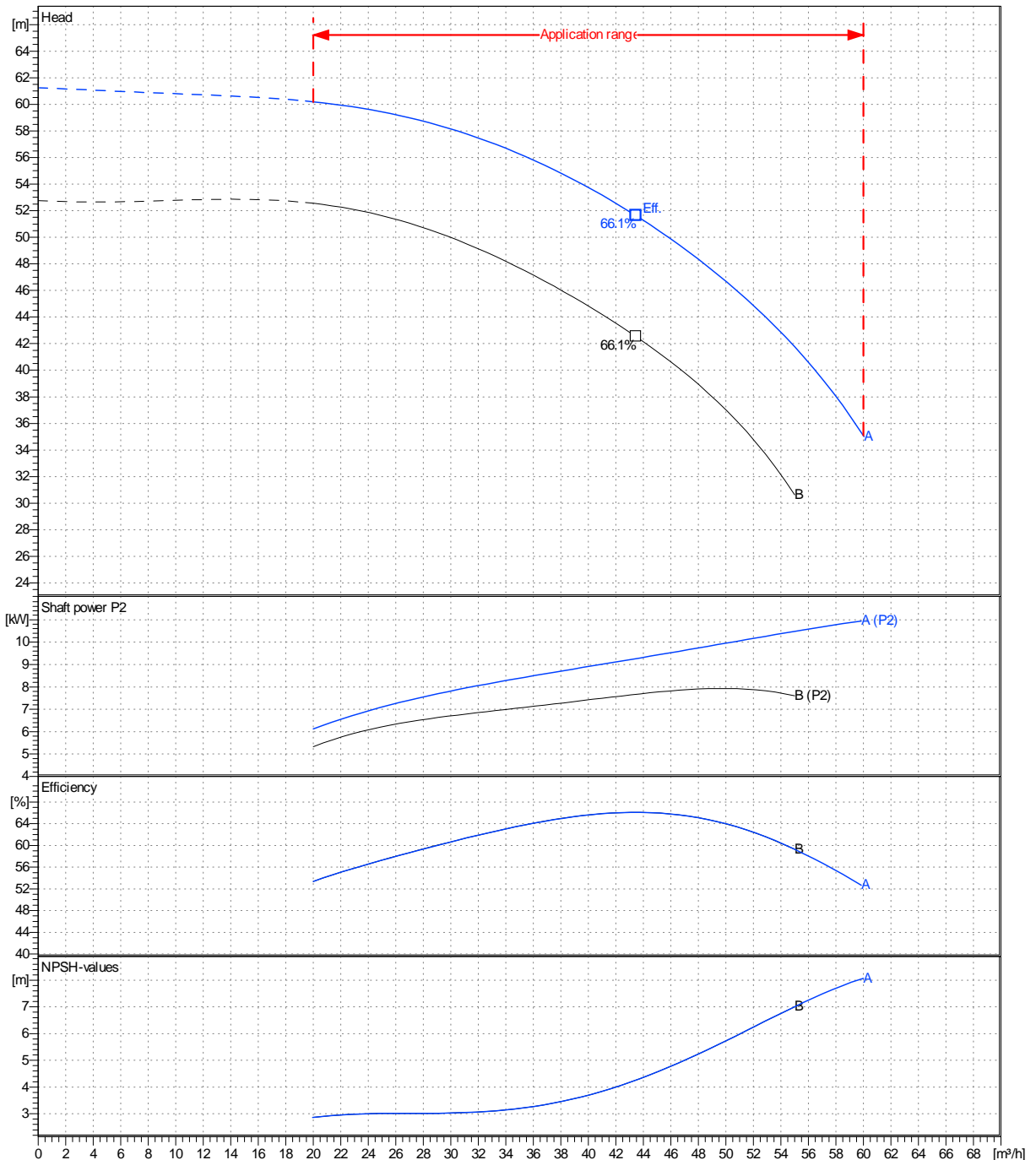
From

SAER ELETTROPOMPE SPA

Operating area	Flow	Head	Impeller type
Operating data specification	0 m <sup>3</sup> /h	0 m	Impeller construction Sense of rotation
Pump data	m <sup>3</sup> /h	m	Outlet width
	Min. Max. $\eta$ Max.	H(Q=0) $\eta$ Max. P2(Q=0) Max. $\eta$ Max.	Speed 1/min 2900 Frequency Hz 50 Hz
	m <sup>3</sup> /h m <sup>3</sup> /h m <sup>3</sup> /h	m m kW kW kW	
	20 60 43.5	61.2 51.6 10.9 9.26	

 Performance data based to: Water, pure [100%]; 20°C; 0.998kg/dm<sup>3</sup>; 1mm<sup>2</sup>/s

UNI EN ISO 9906:2012 - Grade 3B



Project

Project ID

Created by

 Created on  
2024-10-29

Last update

Revision no

SAER ELETTROPOMPE SPA

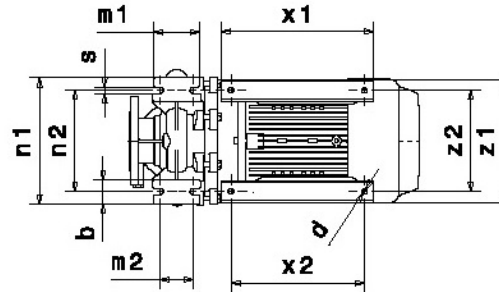
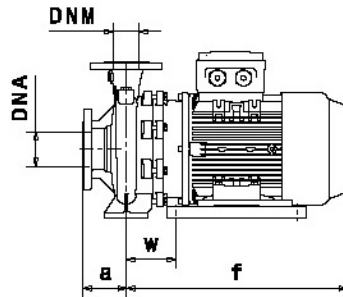
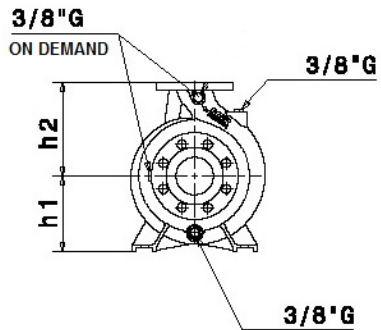
Pump dimensions

Connections

Suction side	Discharge port
DN65	DN40
PN10/16	PN10/16

Dimensions in mm

a	100
b	50
d	12
f	504
h1	160
h2	180
m1	100
m2	70
n1	265
n2	212
s	14
w	108
x1	320
x2	280
z1	261
z2	216



Disegni dimensionali e immagini non vincolanti. Saer si riserva il diritto di effettuare cambiamenti senza alcun preavviso. Dimensional drawing and picture are not binding. Saer reserves the right to make changes without prior notice.

Project

Project ID

Created by

Created on  
2024-10-29

Last update