





Revision no

Pump dimensions

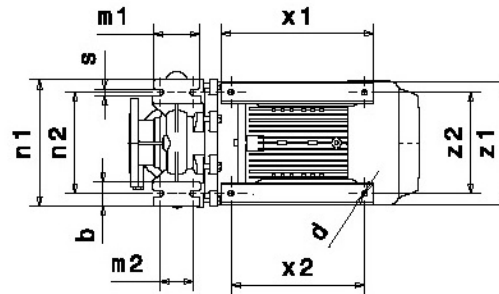
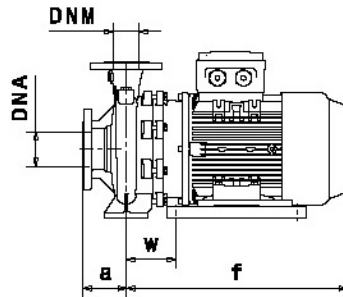
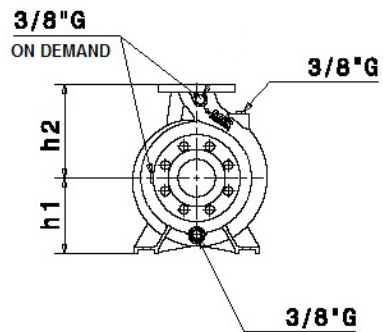
Connections

Suction side	Discharge port
DN80	DN65
PN10/16	PN10/16

Dimensions in mm

a	100
b	65
d	14
f	644
h1	180
h2	225
m1	125
m2	95
n1	320
n2	250
s	14
w	152
x1	410
x2	370
z1	319
z2	254

Disegni dimensionali e immagini non vincolanti. Saer si riserva il diritto di effettuare cambiamenti senza alcun preavviso.  
Dimensional drawing and picture are not binding. Saer reserves the right to make changes without prior notice.



Project

Project ID

Created by

Created on  
2024-10-29

Last update