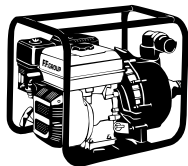
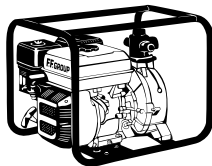
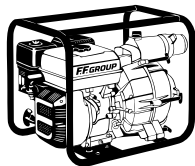
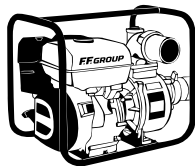


FFGROUP[®]



**GWP 40/79 PLUS
GWP 50/209 PLUS
GWP 50/212 PRO
GWP 80/212 PRO
GWP 80/212 ST PRO
GWP 80/301 FT PRO
GWP 50/212 H PRO
GWP 50/212 H2 PRO
GWP 50/389 H PRO
GWP 50/212 CH PRO
GWP 80/212 CH PRO**

EN

ORIGINAL INSTRUCTIONS

FR

NOTICE ORIGINALE

IT

ISTRUZIONI ORIGINALI

EL

ΠΡΩΤΟΤΥΠΟ ΟΔΗΓΙΩΝ ΧΡΗΣΗΣ

SR

ORIGINALNO UPUTSTVO ZA RAD

HR

ORIGINALNE UPUTE ZA RAD

RO

INSTRUCȚIUNI DE FOLOSIRE ORIGINALE

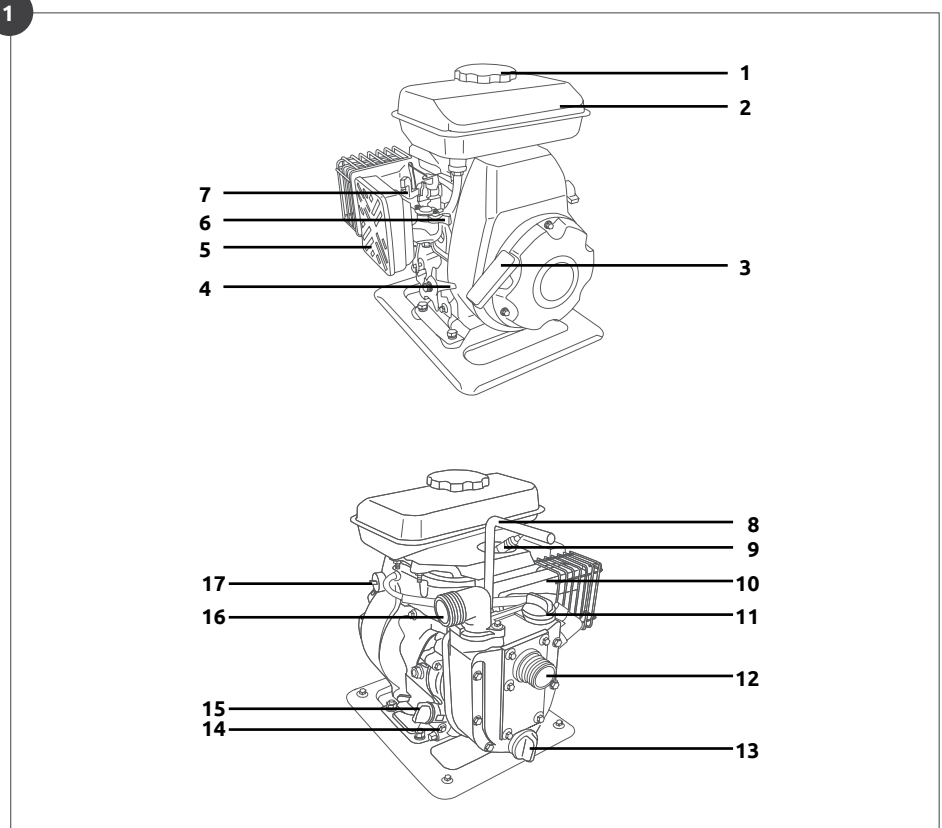
HU

EREDETI UTASÍTÁSOK

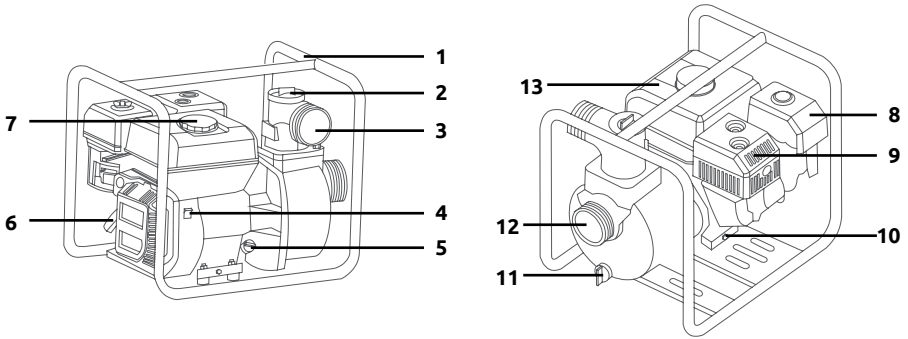
LT

ORIGINALIOS INSTRUKCIJOS

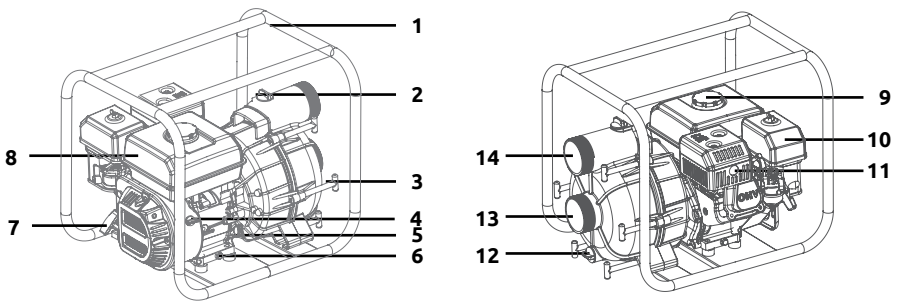
EXPLANATION OF SYMBOLS / EXPLICATION DES SYMBOLES / SPIEGAZIONE DEI SIMBOLI / ΕΠΕΞΗΓΗΣΗ ΣΥΜΒΟΛΩΝ / OBJAŠNJENJE SIMBOLA / OBJAŠNJENJE SIMBOLA / EXPLICAREA SIMBOLURILOR / SZIMBÓLUMOK JELENTÉSE / SIMBOLIŲ PAAIŠKINIMAS		16
EN	PETROL WATER PUMP	18
FR	POMPE À EAU MOTEUR ESSENCE	24
IT	POMPA AD ACQUA MOTORE A BENZINA	31
EL	ΑΝΤΛΙΑ ΝΕΡΟΥ ΒΕΝΖΙΝΟΚΙΝΗΤΗ	38
SR	BENZINSKA PUMPA ZA VODU	45
HR	PRETOČNA MOTORNA PUMPA ZA VODU	52
RO	POMPA DE APA PE BENZINA	58
HU	BENZIN SZIVATTYÚ	65
LT	BENZININIS VANDENS SIURBLYS	71
TECHNICAL DATA / DONNÉES TECHNIQUES / DATI TECNICI / ΤΕΧΝΙΚΑ ΧΑΡΑΚΤΗΡΙΣΤΙΚΑ / TEHNIČKI PODACI / TEHNIČKI PODACI / DATE TEHNICE / MŰSZAKI ADATOK / TECHNINIAI DUOMENYS		78
CE		96



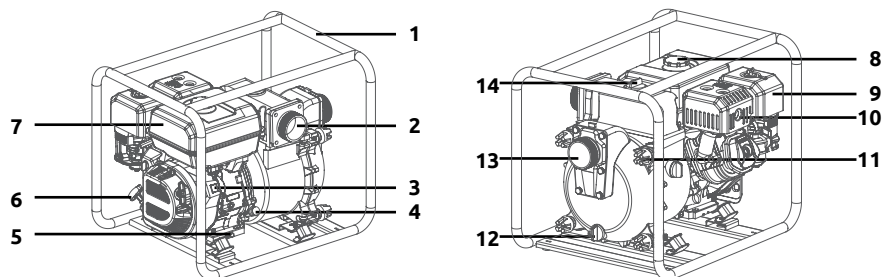
2



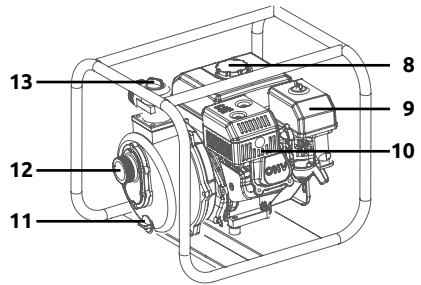
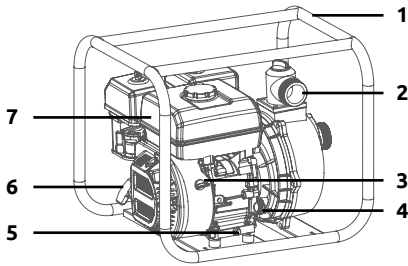
3



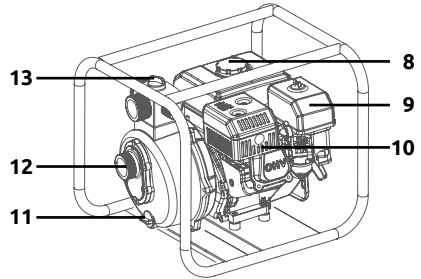
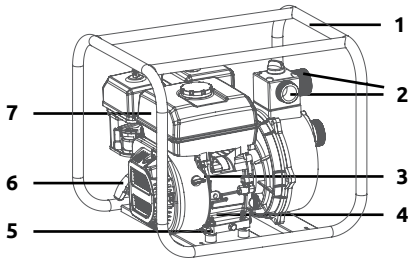
4



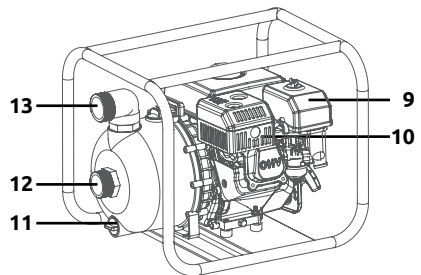
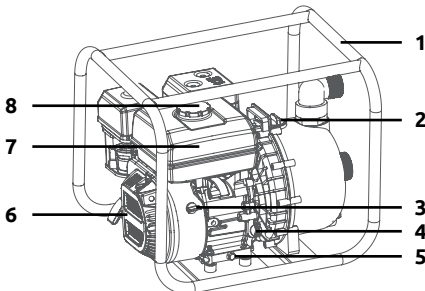
5



6

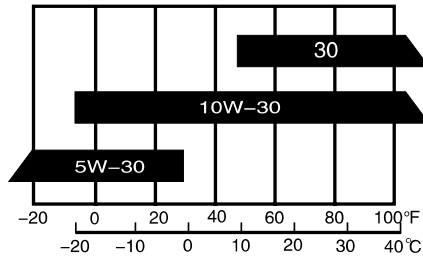


7

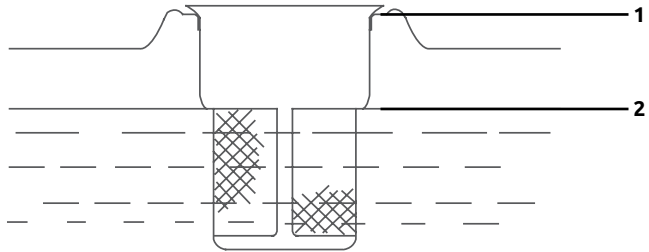


8

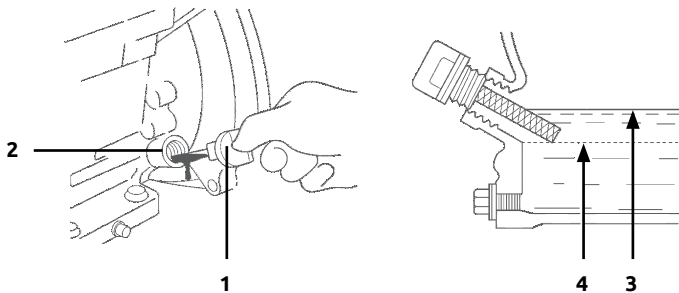
SAE



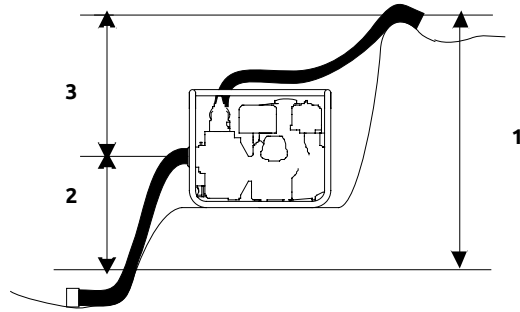
9



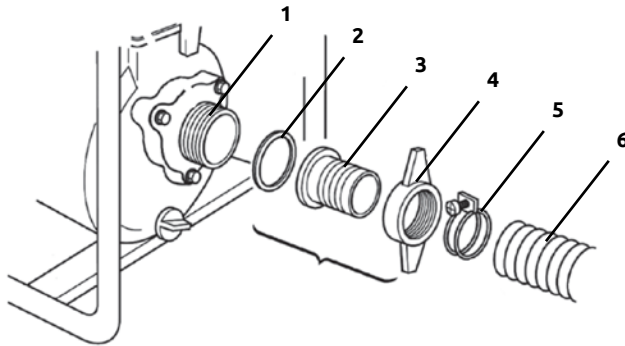
10



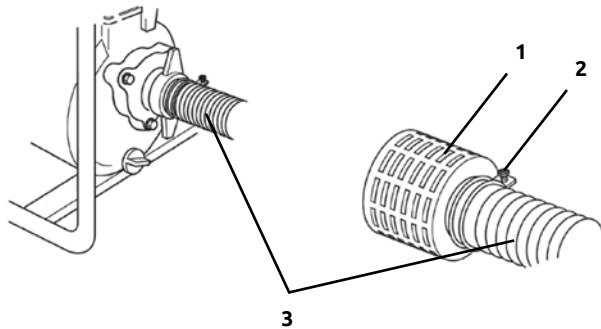
11



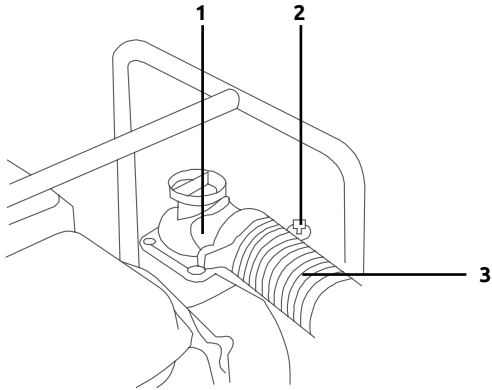
12



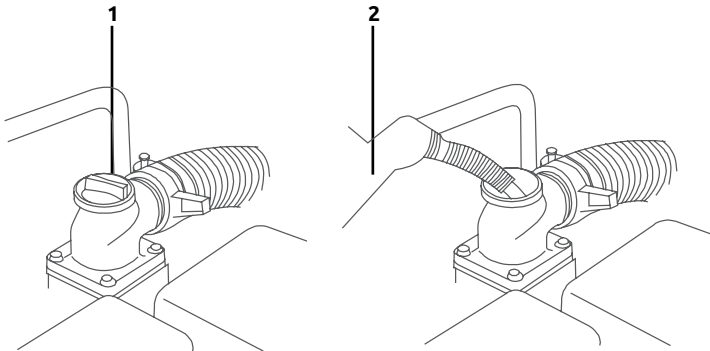
13



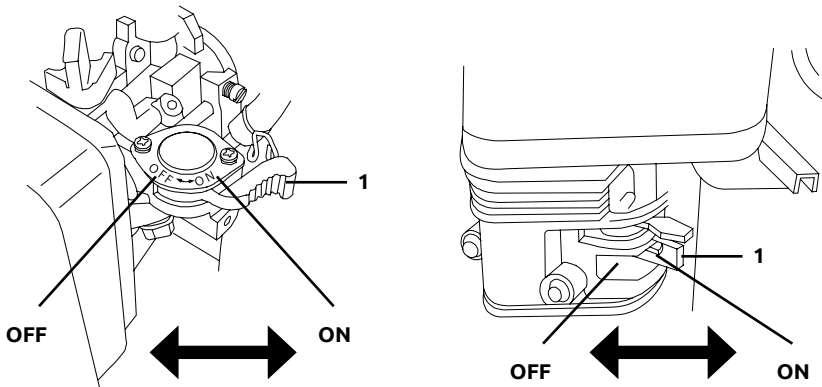
14



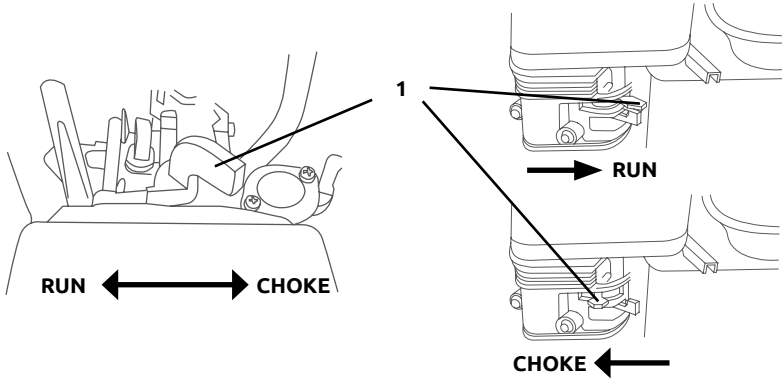
15



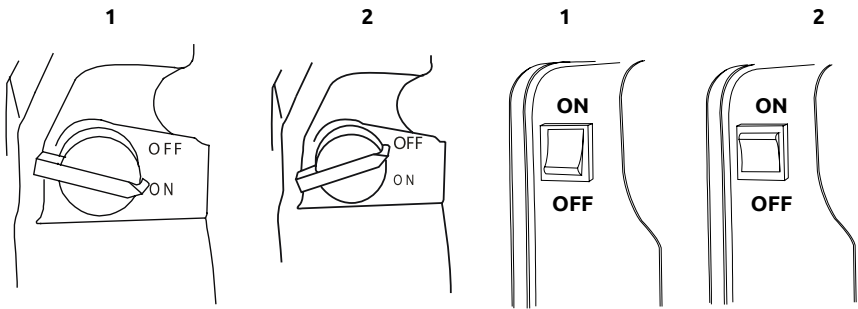
16



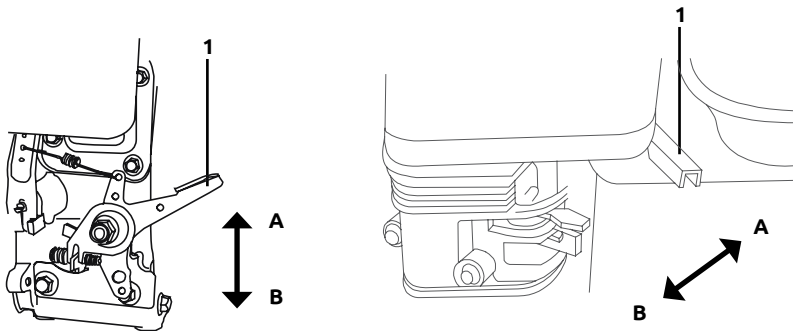
17



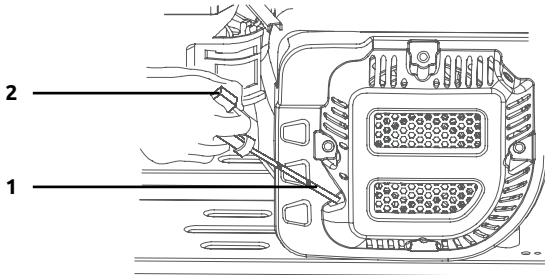
18



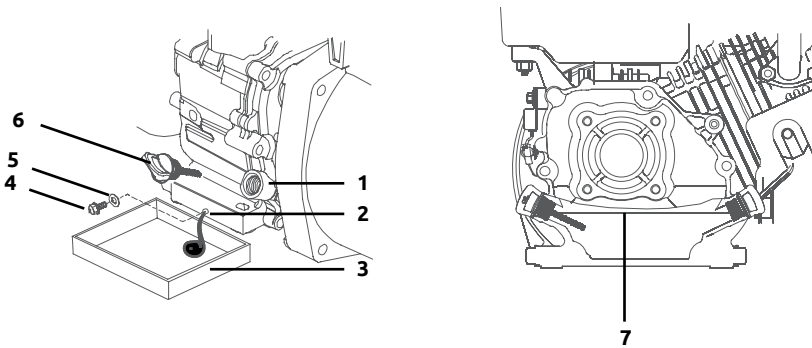
19



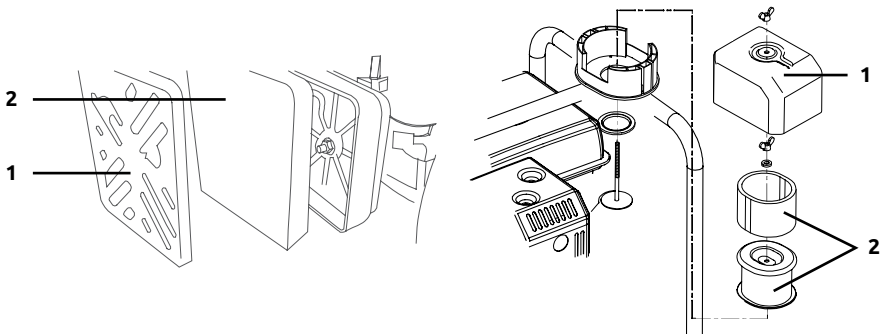
20



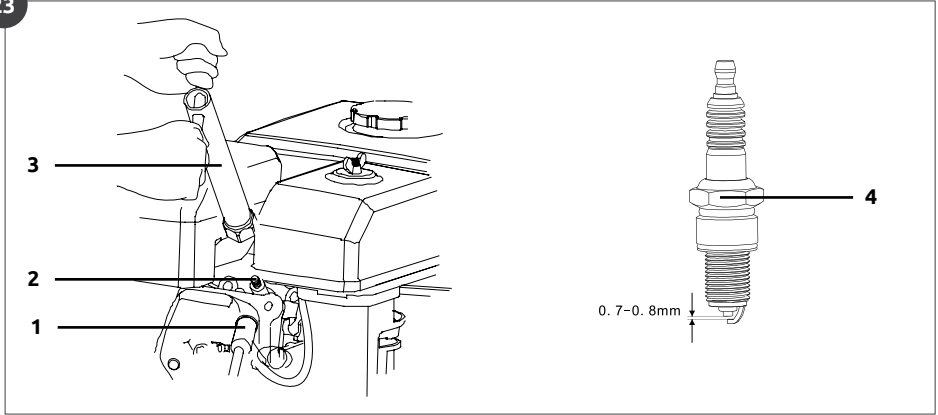
21



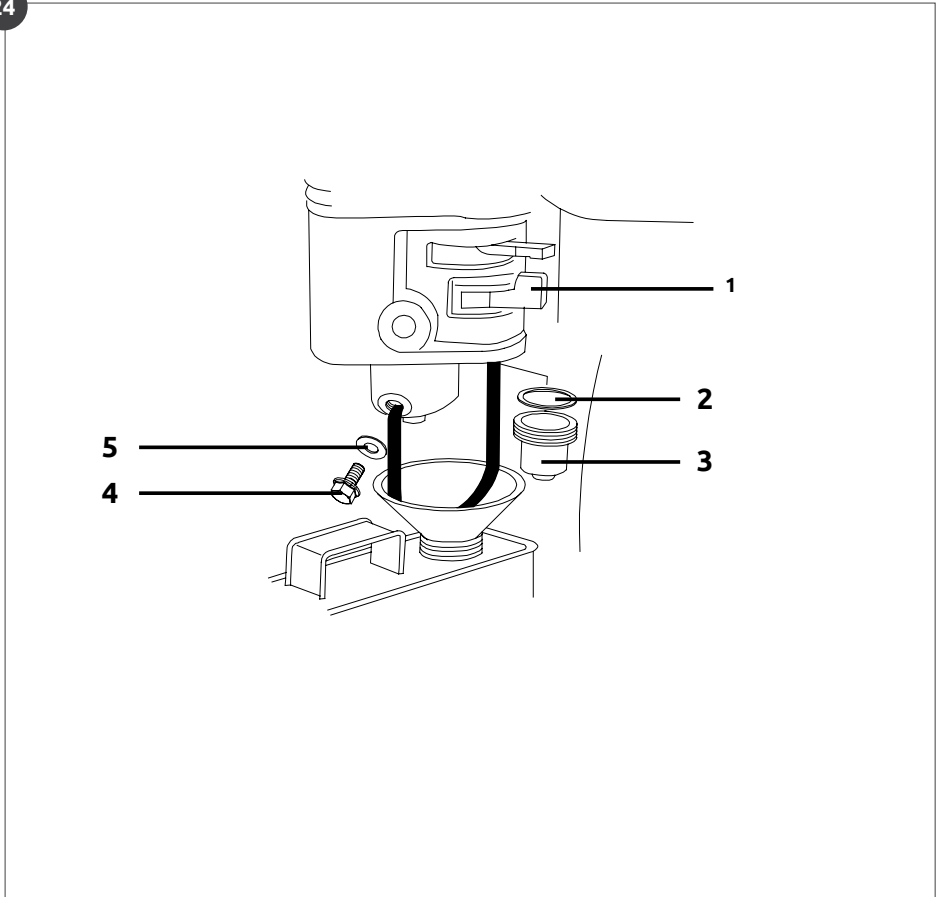
22



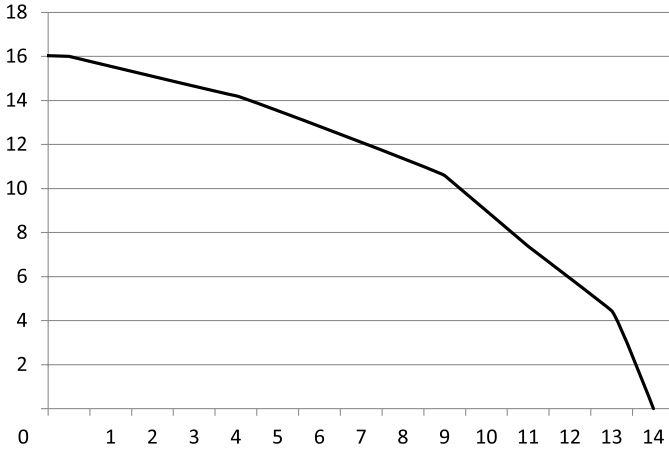
23



24

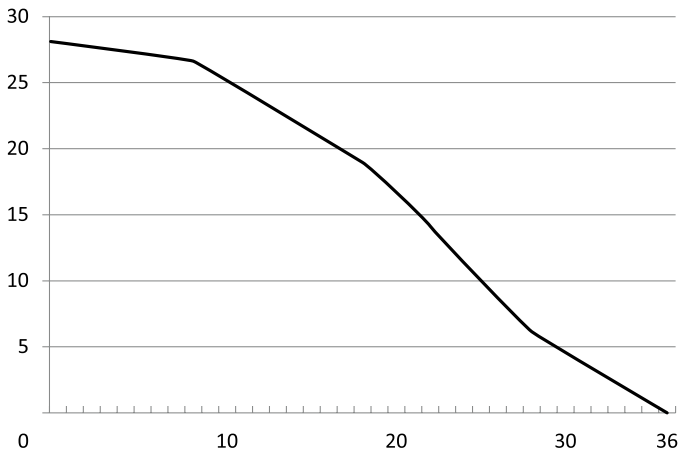


25



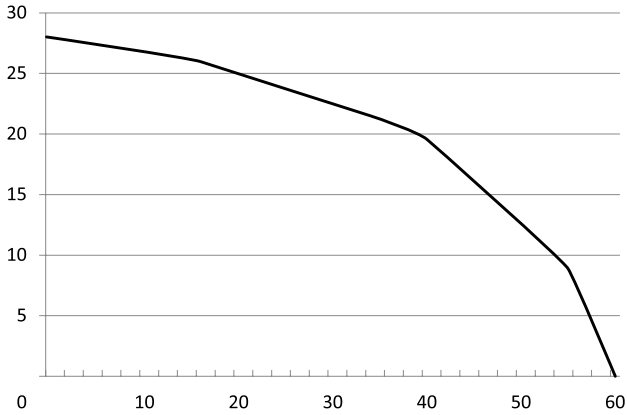
46 632	GWP 40/79 PLUS					
m ³ /h	14,00	13,20	11,50	9,10	4,60	0,00
m	0,00	4,45	7,38	10,58	14,21	16,00

26



46 633 - 46 634	GWP 50/209 PLUS - GWP 50/212 PRO					
m ³ /h	36,00	28,40	22,00	18,10	8,00	0,00
m	0,00	6,14	14,14	18,96	26,62	28,00

27

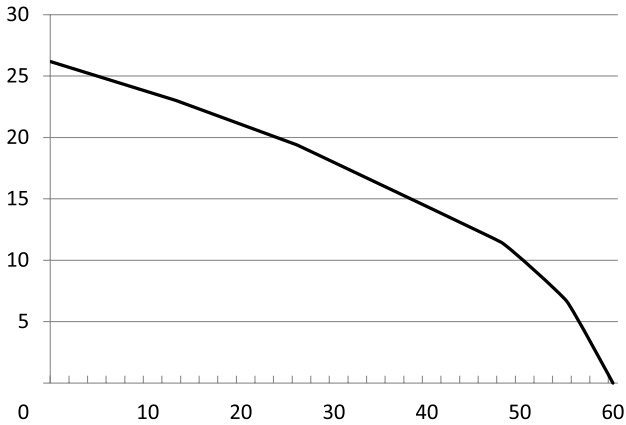


46 635

GWP 80/212 PRO

m³/h	60,00	55,00	40,50	34,10	16,50	0,00
m	0,00	8,90	19,56	21,51	25,96	28,00

28

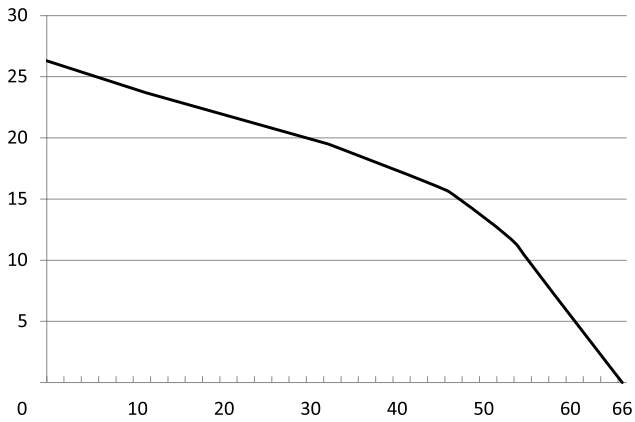


46 636

GWP 80/212 ST PRO

m³/h	60,00	55,20	48,10	26,60	13,80	0,00
m	0,00	6,67	11,45	19,40	23,01	26,00

29

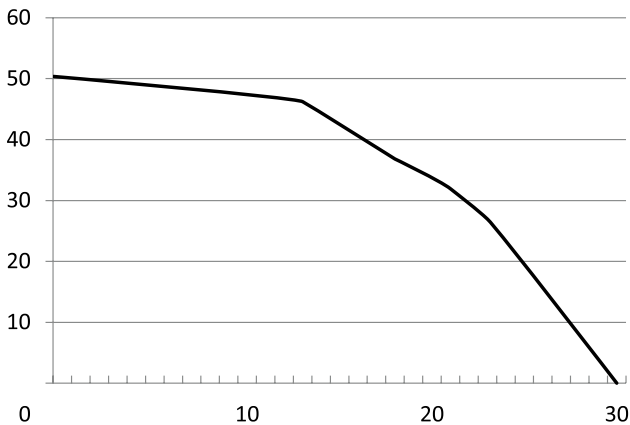


46 637

GWP 80/301 FT PRO

m³/h	66,00	54,70	46,10	32,70	11,20	0,00
m	0,00	11,09	15,59	19,51	23,69	26,00

30

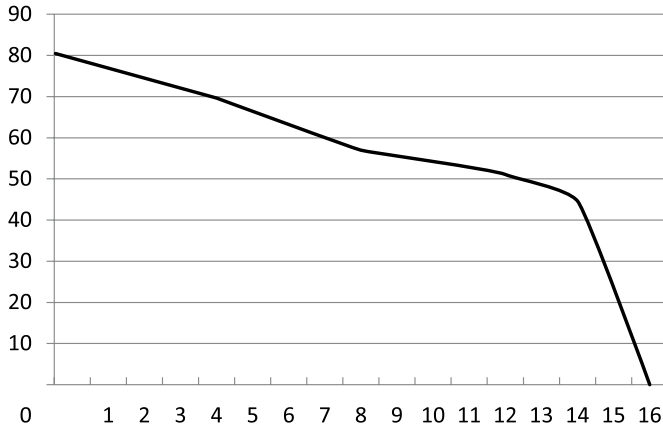


46 638

GWP 50/212 H PRO

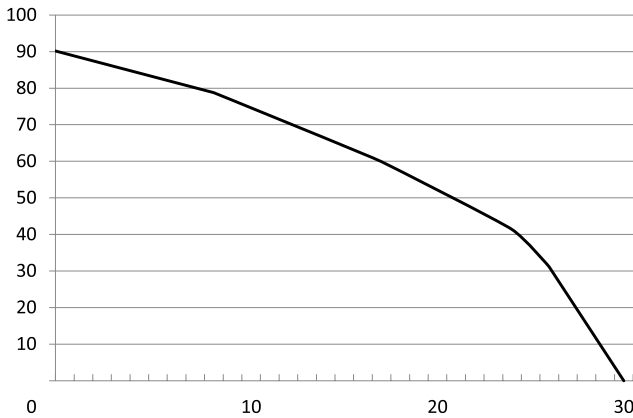
m³/h	30,00	23,90	21,60	18,90	13,20	0,00
m	0,00	26,94	31,93	36,81	46,24	50,00

31



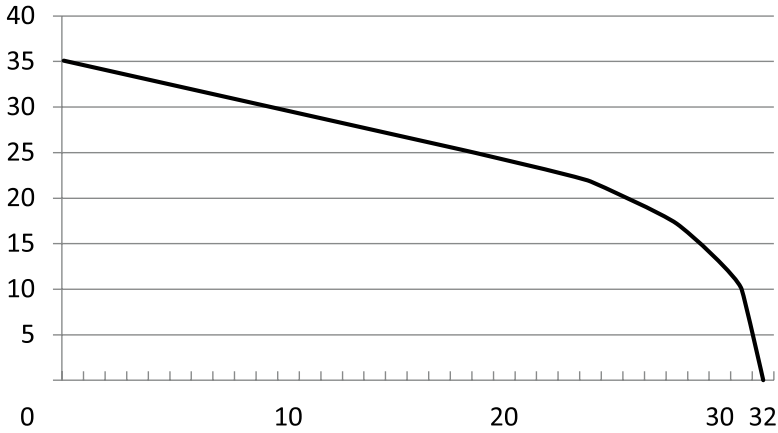
46 639	GWP 50/212 H2 PRO					
m³/h	16,00	14,90	12,80	8,60	4,90	0,00
m	0,00	44,57	51,10	57,00	69,67	80,00

32



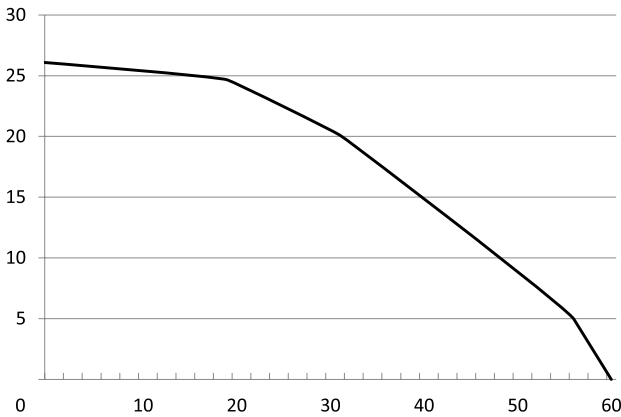
46 640	GWP 50/389 H PRO					
m³/h	30,00	26,76	24,22	17,79	8,52	0,00
m	0,00	31,12	41,33	59,91	78,74	90,00

33














46 641	GWP 50/212 CH PRO					
m ³ /h	32,00	31,90	28,70	24,20	18,40	0,00
m	0,00	10,00	17,19	21,83	25,33	35,00

34



46 642	GWP 50/212 CH PRO					
m ³ /h	60,00	56,10	44,80	31,10	19,00	0,00
m	0,00	4,95	12,49	20,10	24,65	26,00

	ENGLISH	FRANÇAIS	ITALIANO	ΕΛΛΗΝΙΚΑ
	EXPLANATION OF SYMBOLS	EXPLICATION DES SYMBOLES	SPIEGAZIONE DEI SIMBOLI	ΕΠΕΞΗΓΗΣΗ ΣΥΜΒΟΛΩΝ
	Always read and understand the instructions before operating	Toujours lire et comprendre les instructions avant d'opérer	Leggere e comprendere sempre le istruzioni prima di operare	Διαβάστε και κατανοήστε τις οδηγίες χρήσης πάντα πριν από τη λειτουργία
	Always wear appropriate protective breathing mask when operating	Portez toujours un masque respiratoire protecteur approprié lors de l'opération	Indossare sempre un'adeguata maschera protettiva durante il funzionamento	Να χρησιμοποιείτε πάντα κατάλληλη μάσκα αναπνοής κατά τη λειτουργία
	Always wear appropriate ear protection when operating	Portez toujours une protection de l'oreille appropriée lors de l'exploitation	Indossare sempre un'adeguata protezione dell'orecchio quando si opera	Να χρησιμοποιείτε πάντα κατάλληλη προστασία αυτιών κατά τη λειτουργία
	Important, danger, warning, or caution	Important, danger ou avertissement	Importante, pericolo o avviso	Σημαντικό, κίνδυνος ή προειδοποίηση
	Risk of fire	Risque de feu	Rischio di incendio	Κίνδυνος φωτιάς
	Risk of burn injury or fire, due to hot surface	Risque de brûlure	Rischio di ustioni	Κίνδυνος εγκαύματος ή φωτιάς, λόγω καυτής επιφάνειας
	Risk of poisoning, due to toxic gases	Risque d'empoisonnement, dû aux gaz toxiques	Rischio di avvelenamento, a causa di gas tossici	Κίνδυνος δηλητηρίασης, λόγω τοξικών αερίων
	Never use on the drinking water supply network without a system separator, since water is not safe for consumption	Ne jamais utiliser sur le réseau d'alimentation en eau potable sans séparateur de système, car l'eau n'est pas propre à la consommation	Non utilizzare mai sulla rete di alimentazione dell'acqua potabile senza un separatore di sistema, poiché l'acqua non è sicura per il consumo	Μην χρησιμοποιείτε ποτέ στο δίκτυο παροχής πόσιμου νερού χωρίς διαχωριστή συστήματος, καθώς το νερό δεν είναι ασφαλές για κατανάλωση
	Risk of hand injury, due to rotating parts	Risque de blessures aux mains en raison des pièces en rotation	Rischio di lesioni alle mani, a causa di parti rotanti	Κίνδυνος τραυματισμού άνω άκρων, λόγω περιστρεφόμενων μερών
	Must be recycled and should always be disposed in accordance with applicable directives	Doit être recyclé et doit toujours être éliminé conformément aux directives applicables	Deve essere riciclato e deve essere sempre smaltito secondo le direttive applicabili	Πρέπει να ανακυκλώνεται και πρέπει πάντα να απορρίπτεται σύμφωνα με τις ισχύουσες οδηγίες
	Complies with applicable safety directives and relative standards	Conforme aux directives de sécurité applicables et aux normes relatives	Conforme alle direttive di sicurezza applicabili e alle relative norme	Συμμορφώνεται με τις ισχύουσες οδηγίες ασφαλείας και τα σχετικά πρότυπα

SRPSKI	HRVATSKI	ROMÂNĂ	MAGYAR	LIETUVIŲ K.
OBJAŠNJENJE SIMBOLA	OBJAŠNJENJE SIMBOLA	EXPLICAREA SIMBOLURILOR	SZIMBÓLUMOK JELENTÉSE	SIMBOLIŲ PAAIŠKINIMAS
Uvek pročitajte i razumejte uputstva pre rada	Uvijek pročitajte i shvatite upute prije operacije	Citiți și înțelegeți întotdeauna instrucțiunile înainte de a utiliza	Használat előtt mindig olvassa el és értse meg az utasításokat	Prieš pradėdami dirbti, visada perskaitykite ir supraskite instrukcijas
Uvek nosite odgovarajuću zaštitnu masku za disanje prilikom rada	Prilikom rada uvijek nosite odgovarajuću zaštitnu masku za disanje	Purtați întotdeauna o mască de respirație de protecție adecvată în timpul	Munka közben mindig viseljen megfelelő légzőmaszkot	Dirbdami visada dėvėkite tinkamą apsauginę kvėpavimo kaukę
Uvek nosite odgovarajuću zaštitu za uši kada radila	Uvijek nosite odgovarajuću zaštitu za uši prilikom rada	Purtați întotdeauna o protecție adecvată a urechii în timpul funcționării	Működés közben mindig viseljen megfelelő fülvédőt	Dirbdami visada dėvėkite tinkamas ausų apsaugos priemonės
Važno, opasnost ili upozorenje	Važno, opasnost ili upozorenje	Important, pericol sau avertisment	Fontos, veszély, figyelmeztetés vagy óvatosság	Svarbu, pavojus, įspėjimas ar atsargumas
Rizik od požara	Opasnost od požara	Risc de incendiu	Tűzveszély	Gaisro pavojus
Rizik od opekotina	Rizik od opeklina	Risc de arsură	Égési sérülés vagy tűz veszélye a forró felület miatt	Nudėjimo sužalojimo ar gaisro rizika dėl karšto paviršiaus
Rizik od trovanja, zbog otrovnih gasova	Opasnost od trovanja, zbog otrovnih plinova	Risc de otrăvire, din cauza gazelor toxice	Mérgezésveszély a mérgező gázok miatt	Apsinuodijimo rizika dėl toksiškų dujų
Nikada se ne koristite na mreži za snabdevanje pijaćom vodom bez znaka za razdvajanje sistema, pošto voda nije bezbedna za potrošnju	Nikada nemojte koristiti na mreži za opskrbu pitkom vodom bez separatora, jer voda nije sigurna za potrošnju	Nu utilizați niciodată pe rețeaua de alimentare cu apă potabilă fără un separator de sistem, deoarece apa nu este sigură pentru consum	Soha ne használja az ivóvízhálózaton rendszerleválasztó nélkül, mert a víz fogyasztása nem biztonságos	Niekada nenaudokite geriamojo vandens tiekimo tinkle be sistemos separatoriaus, nes vanduo nėra saugus vartoti
Rizik od povrede ruke, zbog rotirajućih delova	Opasnost od ozljeda ruke zbog rotirajućih dijelova	Risc de rănire a mâinilor, din cauza pieselor rotative	Kéz sérülés veszélye a forgó alkatrészek miatt	Rankų sužalojimo rizika dėl besisukančių dalių
Mora se reciklirati i uvek ga treba raspolagati u skladu sa važećim direktivama	Mora se reciklirati i uvijek zbrinuti u skladu s važećim direktivama	Trebuie reciclat și trebuie întotdeauna eliminat în conformitate cu directivele aplicabile	Újrahasznosítani kell, és mindig a vonatkozó irányelveknek megfelelően kell ártalmatlanítani	Turi būti perdirbtas ir visada turi būti šalinamas pagal taikomas direktyvas
U skladu sa važećim bezbednosnim direktivama i relativnim standardima	U skladu s primjenjivim sigurnosnim direktivama i relativnim standardima	Respectă directivele de siguranță aplicabile și standardele aferente	Megfelel a vonatkozó biztonsági irányelveknek és a vonatkozó szabványoknak	Atitinka taikomas saugos direktyvas ir santykinis standartus

ENGLISH

GENERAL SAFETY WARNINGS

Read and understand this owner's manual before operating this product. You can help prevent accidents by being familiar with your product's controls and by observing safe operating procedures and safety signs. Always use your common sense to avoid all situations considered beyond your capability. Do not use while you are tired or under the influence of drugs, alcohol or any other medication. Keep bystanders and animals that could be hurt, as well as items that could be damaged, away while operating. Never allow children or people unfamiliar with these instructions to use the product. Local laws may restrict the minimum age of the operator. Bear in mind that the operator or user is responsible for accidents or unexpected events occurring to other people, animals or their property. Do not expose the product to excessive moisture, dust, dirt or corrosive vapors. Do not mount equipment or accessories on the machine not foreseen or approved by the manufacturer. Never attempt to modify the product. Non-authorized modifications or accessories can result in serious personal injury or the death of the operator or others. Consult your authorized dealer for disassembly and service, not covered in this manual. If something breaks or an accident occurs while working, turn off the machine immediately and move it away to prevent further damage. In case foreign body has entered the machine, stop it immediately, inspect it for any damage and make repairs before starting it again.

PROTECTIVE EQUIPMENT

Make sure that you use appropriate and certified protective equipment when operating the unit. Always wear clothing which does not hamper movements, protective gloves, goggles, half-mask respirator, ear protection and anti-shear safety boots with non-slip soles. Never wear scarves, necklaces or any hanging or flapping accessory and clothing that could catch in the machine. Tie up your hair if it is long.

POISON HAZARDS

Operate only outdoors and in well ventilated areas. When running, the engine exhausts poisonous carbon monoxide, an odorless and colorless gas. Inhaling carbon monoxide will cause nausea, fainting or death. Do not operate the machine in a confined space where dangerous carbon monoxide fumes can develop, or near open windows. Fuel and oil are extremely toxic. Do not inhale fuel evaporative gases and always wear appropriate protective equipment when handling them. Always store fuel and oil in approved containers and dispose responsibly.

FIRE AND BURN HAZARDS

Some parts of the machine get hot enough to ignite flammable materials. Do not use in areas with

high risk of fire. Do not direct the silencer and therefore the exhaust fumes towards flammable materials.

Some parts of the machine get hot enough to cause burn damage. Pay attention not to touch them in order to avoid getting burned. Let the machine cool before storing it.

Gasoline and oil are flammable. Follow the instructions provided by each manufacturer before use. Potential sources of fire or spark should be kept away at all times. Do not smoke near the machine or any fuel and oil. Refuel only outdoors, in a well-ventilated area, with the engine shut off. Slowly open the fuel tank to allow the pressure inside to decrease gradually. Do not overfill the fuel tank. Make sure that there is some distance between any spare gasoline tank and the unit, to prevent unnecessary danger. Make sure that any and all spilled fuel and oil has been wiped off before starting the engine.

If a fire occurs, use an appropriate fire extinguisher especially designed for oil and gasoline fire.

CATEGORY SAFETY WARNINGS

SAFE OPERATION

All of the operational levers of the machine must move from one position to the other easily and must not need forcing. The clutch and reverse levers (where applicable) must return automatically and rapidly back to the neutral position. The electric cables and in particular the spark plug cable must be in perfect condition to avoid the generation of any sparks and the spark plug cap must be correctly fitted on the spark plug. The handgrips and protection devices must be clean and dry as well as securely fastened to the machine.

Always check for any objects that may block the air intake screen before beginning to work. A clogged air intake reduces the machine's performance and increases the engine's working temperature, which can result in engine failure.

Make sure that you stop the engine:

- ▶ When mounting or removing accessories.
- ▶ When moving between work areas or above paved areas and ground obstacles.
- ▶ Whenever you leave the machine unattended.
- ▶ During refueling.
- ▶ During cleaning or maintenance.
- ▶ During transportation.
- ▶ Before storage.

ROTATING PARTS HAZARDS

Rotating parts can cause serious injury. Avoid contacting the rotating parts when they are still in rotation. Never put your hands or feet inside the pump body while the engine is running. Never operate the engine with the pump body disassembled.

NOISE AND VIBRATION HAZARDS

The noise and vibration levels shown in these instructions are the maximum levels for use of the machine. Insufficient maintenance has a significant impact on vibration and noise emissions.

Consequently, it is necessary to take preventive steps to eliminate possible damage due to high levels of noise and stress from vibration. Maintain the machine well, wear ear protection devices, anti-vibration gloves and take breaks while working. During a working day, you shall take frequent and adequate breaks to prevent damage from vibration and damage to the ears.

WORKING AREA HAZARDS

Thoroughly inspect the whole work area and remove anything that could be projected by the machine, be a hazardous source or cause damage to the machine (stones, branches, iron wire, bones etc.). Check that there are no bystanders, animal or items that could be damaged within at least 15 meters of the machine's range of action.

Work only in daylight, or with suitable artificial light, in good visibility conditions. Try not to cause any noise disturbance, by only using this machine at reasonable times of the day.

Take on a firm and well-balanced position. Where possible, avoid working on wet, slippery ground or in any case on uneven or steep ground that does not guarantee stability for the operator or proper operation conditions for the machine.

REMAINING HAZARDS

The machine was built using modern technology and in accordance with recognized safety rules. Even when all safety measures are in place, some remaining hazards, which are not yet evident, may be present. The operator should use common sense and take necessary precautions to avoid risk due to remaining hazards.

PRODUCT SPECIFICATIONS

INTENDED USE

This machine is designed and manufactured for transferring water e.g. in greenhouses, orchards, gardens. The clean water and high pressure pumps are designed for pumping only clean water. The chemical pumps are designed for pumping clean water, weak acid base (PH 4-11) and high ignition temperature liquids or sea water. The semi-trash (sewage) pumps are designed for pumping clean water or water containing soft solids of a diameter not larger than 25,4mm. The trash (mud) pumps are designed for pumping clean water or water containing solids of a diameter not larger than 25,4mm to a degree up to 50%.

Any other use differing from the above-mentioned ones could be hazardous, harm people and damage things and the machine itself.

IMPROPER USE

The machine must not be used for pumping hazardous materials, e.g. accumulation of inflammable or explosive products, hot embers or combustion material without a flame, lit cigarettes, glass, sharp objects, metal objects, stones and any other object that could be dangerous to the machine itself as well as the operator, bystanders, animals or property.

Other examples of improper use may include, but are not limited, to operation of the machine:

- ▶ Without the original accessories supplied by the manufacturer.
- ▶ With original accessories but in a way not in accordance to the instructions.
- ▶ Without original spare parts.
- ▶ With unauthorized modifications.
- ▶ By more than one person.

TECHNICAL DATA PAGE 78

IDENTIFICATION

GWP 40/79 PLUS (Fig. 1)

1. Fuel tank cap
2. Fuel tank
3. Starter grip
4. Throttle lever
5. Air filter
6. Fuel switch
7. Choke lever
8. Transport handle
9. Spark plug
10. Muffler
11. Pump priming cap
12. Suction port (inlet)
13. Pump drain plug
14. Engine oil drain plug
15. Engine oil dipstick
16. Discharge port (outlet)
17. ON / OFF switch

GWP 50/209 PLUS, GWP 50/212 PRO, GWP 80/212 PRO (Fig. 2)

1. Frame
2. Pump priming cap
3. Discharge port (outlet)
4. ON / OFF switch
5. Engine oil dipstick
6. Starter grip
7. Fuel tank cap
8. Air filter
9. Muffler
10. Engine oil drain plug
11. Pump drain plug
12. Suction port (inlet)
13. Fuel tank

GWP 80/212 ST PRO (Fig. 3)

1. Frame
2. Pump priming cap
3. Pump cover T-type bolt
4. ON / OFF switch
5. Engine oil dipstick
6. Engine oil drain plug
7. Starter grip
8. Fuel tank
9. Fuel tank cap
10. Air filter
11. Muffler
12. Pump drain plug
13. Suction port (inlet)
14. Discharge port (outlet)

GWP 80/301 FT PRO (Fig. 4)

1. Frame
2. Discharge port (outlet)
3. ON / OFF switch
4. Engine oil dipstick
5. Engine oil drain plug
6. Starter grip
7. Fuel tank
8. Fuel tank cap
9. Air filter
10. Muffler
11. Pump cover knob
12. Pump drain plug
13. Suction port (inlet)
14. Pump priming cap

**GWP 50/212 H PRO,
GWP 50/389 H PRO (Fig. 5),
GWP 50/212 H2 PRO (Fig. 6)**

1. Frame
2. Discharge port (outlet)
3. ON / OFF switch
4. Engine oil dipstick
5. Engine oil drain plug
6. Starter grip
7. Fuel tank
8. Fuel tank cap
9. Air filter
10. Muffler
11. Pump drain plug
12. Suction port (inlet)
13. Pump priming cap

**GWP 50/212 CH PRO,
GWP 80/212 CH PRO (Fig. 7)**

1. Frame
2. Pump priming cap
3. ON / OFF switch
4. Engine oil dipstick
5. Engine oil drain plug
6. Starter grip
7. Fuel tank
8. Fuel tank cap
9. Air filter
10. Muffler
11. Pump drain plug
12. Suction port (inlet)
13. Discharge port (outlet)

OPERATION**PREOPERATION**

Unpacking and completing the assembly should be done on a flat and stable surface, with enough space for moving the machine and its packaging, always making use of suitable equipment. The assembly should be carried out by trained personnel at your nearest dealer shop, where necessary.

Fueling and lubrication**WARNING**

The machine is delivered without oil and fuel.

This product is equipped with a 4-stroke engine meaning gasoline should be used in fuel tank and the engine should be filled with oil.

Fuel specifications: Unleaded gasoline or 90 octane or higher.

Fuel tank capacity: Refer to "TECHNICAL DATA TABLE"

To fill the machine with fuel:

1. Remove the fuel tank cap.
2. Add fuel to the upper level of the fuel tank. Leave a minimum 5 mm of space between the top of the fuel and the inside edge of the tank to allow for expansion. Half the length of the fuel tank cap filter (Fig. 9) can also work as the upper fuel level sign, where available.
3. Reposition the fuel tank cap and tighten appropriately.

WARNING

Always use clean container for storing fuel and do not use fuel stored for more than a month.

Oil specifications: For general use (5°C - 38°C) the recommended oil is 4-stroke engine oil SAE 10W30 (Fig. 8).

Engine oil capacity: Refer to "TECHNICAL DATA TABLE"

To fill the engine with oil:

1. Remove the oil filler cap (Fig. 10.1) from the engine oil filler neck (Fig. 10.2). The bottom part of it is the oil level indicator.
2. Gradually add enough oil to bring the oil level to the lip of the oil filler neck, up to the upper level (Fig. 10.3) and not lower than the lower level (Fig. 10.4).
3. Reposition the oil filler cap and tighten appropriately.

WARNING

Use a funnel in order to avoid spilling fuel or oil. Wipe off any spilled fuel and oil before starting the engine.

Pump selection

The suitable pump model should be selected first according to the liquid to be pumped and then according to the specific needs of the setup to be used at. An experienced engineer should be able to guide you by properly calculating the specific needs of the setup that you plan to use the pump for. Once the required data of flow and head lift required is estimated, you can use the performance graphs (Fig. 25-34) to choose the most suitable pump model.

Unit placement

The unit should be operated on stable and level ground in order to avoid damage to the unit and for it to be able to deliver maximum performance. Ideally the pump should be placed near the water source level and you should use hoses no longer than required for the job. The length, type and size of the suction and discharge hoses can significantly affect pump output performance. Also note that as the suction head (Fig. 11.2) or discharge head (Fig. 11.3) increases, resulting in an increase on total head (Fig. 11.1), pump output performance decreases. Minimizing suction head by placing the pump near the water level is also very important for reducing self-priming time.

Suction hose installation

To install your suction hose (Fig. 12.6) to the pump suction port (Fig. 12.1) use the seal (Fig. 12.2), the hose connector (Fig. 12.3), the hose connector clamp (Fig. 12.4) and the hose clamp (Fig. 12.5) as shown in Fig. 12. It is recommended that you use a suction hose of diameter same as the suction port to avoid loss of performance due to friction of the water with the inside of the hose walls or flow disturbances. On the other end of the suction hose (Fig. 13.3) install the strainer (Fig. 13.1) using the hose clamp (Fig. 13.2) as shown in Fig. 13. The strainer will help to prevent the pump from becoming clogged or damaged by any debris contained in the water to be pumped.

Discharge hose installation

To install your discharge hose (Fig. 14.3) to the pump discharge port (Fig. 14.2) use the seal, the hose connector, the hose connector clamp and the hose clamp (Fig. 14.2) as shown in Fig. 14. It is recommended that you use a discharge hose of diameter same as the discharge port to avoid loss of performance due to friction of the water with the inside of the hose walls or flow disturbances. Tighten the hose clamp securely to prevent discharge hose from disconnecting under high pressure.

Priming the pump

The inside of the pump body must be filled with clean water before starting the engine.

WARNING

The pump should never be operated dry in order to avoid damage to the seals and rotating parts of the pump due to high temperature and friction.

To prime the pump:

1. Remove the pump priming cap (Fig. 15.1).
2. Fill the pump with clean water (Fig. 15.2).
3. Reposition the pump priming cap and tighten appropriately.

STARTING THE UNIT

Before starting the machine:

1. Make sure both the machine and you are on stable ground.
2. Check that all the fasteners are secured in position.
3. Prepare suction and discharge hoses and make sure they are correctly mounted.
4. Check that the air filter is clean and that the air intake and exhaust are not clogged by any foreign materials.
5. Fill with the required quantity of oil and fuel.
6. Prime the pump.

To start the machine:

1. Move the fuel valve lever (Fig. 16.1) to the "ON" position.
2. Move the choke lever (Fig. 17.1) to the "CHOKE" position.

NOTE

This step applies only to cold starting of the engine. When the engine is already warm or the environ-

ment temperature is high, the choke lever should be at "RUN" position at all times.

3. Move the ON / OFF switch to the "ON" position (Fig. 18.1).
4. Move the throttle lever (Fig. 19.1) by 1/3 of the way towards the "A" (high speed) position.
5. Grip firmly the handle of the machine with your left hand and the starter grip (Fig. 20.2) of the engine with your right hand. Pull the starter grip until you feel resistance to engage the engine and then pull firmly to start the engine.

WARNING

To avoid breaking the starter rope (Fig. 20.1), do not pull the whole length of it or let it slide along the edge of the cable guide hole. Release the starter gradually, to avoid letting it fly back uncontrollably.

6. As the engine warms up, gradually move the choke lever to the "RUN" position, if the engine was cold started.

NOTE

For maximum performance and reliability, allow the engine to warm up before operating at full load, running it for two to three minutes at idle speed.

7. After the engine warms up, move the throttle lever to "A" (high speed) position for self-priming and check pump output.

OPERATING THE UNIT

Throttle lever

Output flow is controlled by adjusting the engine speed by moving the throttle lever between "A" (high speed) and "B" (low speed) positions. Increasing the engine speed, increases the pump output flow. Decreasing the engine speed, decreases the pump output flow.

STOPPING THE UNIT

To stop the machine:

1. Lower the engine speed by moving the throttle lever to the "B" (low speed) position.
2. Move the ON / OFF switch to the "OFF" position (Fig. 18.2).
3. Move the fuel valve lever to the "OFF" position.
4. Remove the pump drain plug and drain the pump body chamber dry.
5. Remove the pump priming cap and flush the pump body chamber with clean water to remove any pumped water residue or foreign material that could damage the pump.
6. Allow all water to drain from the pump body chamber.
7. Reposition the pump priming cap and pump drain plug in place and tighten appropriately.

MAINTENANCE AND CLEANING

WARNING

Never do maintenance or cleaning with the unit running. Always work on a cool unit. Before cleaning or doing maintenance work, disconnect the spark plug cap and read the relevant instructions. Always wear proper clothing and protective gloves whenever your hands are at risk.

Any adjustments or maintenance operations not described in this manual must be carried out by your Dealer or a specialized Service Centre with the necessary knowledge and equipment to ensure that the work is done correctly maintaining the machine's original safety level. Any operations performed in unauthorized centers or by unqualified persons will totally invalidate the Warranty and all obligations and responsibilities of the Manufacturer.

Keep all nuts and screws tight to be sure the machine is always in safe working condition. Routine maintenance is essential for safety and for maintaining a high-performance level.

WARNING

Never use the machine with worn or damaged parts. Faulty or worn-out parts must always be replaced and not repaired. Only use original spare parts.

MAINTENANCE SCHEDULE

Frequency		Items					
		Before each use	After 1st month or first 20hrs of operation	Every 3 months or 50hrs of operation	Every 12 months or 100hrs of operation	Every 24 months or 250hrs of operation	
Complete unit	Visual Inspection	√					
Control handles	Check Operation	√					
Spark arrester (if available)	Check			√*			
Engine oil	Check-Refill	√					
	Replace		√	√			
Air filter	Check	√					
	Clean		√				
	Replace			√			
Spark plug	Check-Adjust		√		√*		
Fuel line and filter	Check-Clean **				√*		
Fuel tank	Check-Clean **					√*	
Deposit cup (if available)	Clean		√	√			
Valve clearance	Check-Adjust **				√		
Combustion chamber	Check-Clean **						√*

*These items should be replaced if needed.

**These operations should be carried out only by authorised dealer, that have the appropriate tools and the required mechanical proficiency.

ENGINE OIL

WARNING

Checking the level and changing the oil should be done on solid and level ground. The engine has to be stopped at all times. If the engine had been running, it will be hot and the procedure should be done with care and necessary precautions in order to avoid burn danger.

NOTE

Drain the used oil while the engine is warm. Warm oil drains quickly and completely.

To check the oil level:

1. Remove the oil filler cap (Fig. 21.6) from the engine oil filler neck (Fig. 21.1).
2. Check the oil level. The oil level should reach the lip (Fig. 21.7) of the oil filler neck. If required, add enough oil to bring the oil level to the lip of the oil filler neck, up to the upper level (Fig. 10.3) and not lower than the lower level (Fig. 10.4).
3. Reposition the oil filler cap and tighten appropriately.

To change the oil:

1. Remove the oil filler cap from the engine oil filler neck.
2. Place a suitable container (Fig. 21.3) under the oil drain hole (Fig. 21.2) to catch the used oil.
3. Remove the oil drain plug (Fig. 21.4) and washer (Fig. 21.5) to allow the oil to drain completely.
4. Reposition the oil drain plug with its washer and tighten appropriately.
5. Gradually add enough oil to bring the oil level to the lip of the oil filler neck, up to the upper level (Fig. 10.3) and not lower than the lower level (Fig. 10.4).
6. Reposition the oil filler cap and tighten appropriately.

NOTE

If the engine frequently works under extremely dusty or other severe circumstances, change the engine oil every 25 hours.

WARNING

Running the engine with low oil level will cause engine damage.

AIR FILTER

WARNING

Operating the engine without an air cleaner, or with a damaged air cleaner, will allow dirt to enter the engine, causing rapid engine wear.

To check, clean or change the air filter:

1. Remove the air filter cover (Fig. 22.1).
2. Make sure that the air filter element (Fig. 22.2) is free from dirt and in a good condition. If it is dirty, remove and clean it.
 - ▶ To clean a foam air filter element wash it with home detergent and hot water and let it dry. Then soak it in clean saturated engine oil and gently squeeze out excess oil. If required, replace it with a new one.
 - ▶ To clean a paper air filter element, clean light dirt by gently taping it a few times on a hard surface and replace if heavy dirt is present.
3. Clean the inside of the air filter case and cover from dirt with a soft cloth. If the engine is equipped with an oil bath type air filter, replace the oil with new engine oil.

- Reinstall the air filter element and follow the reverse procedure to put back in position the air filter cover.

WARNING

Never clean the air filter with flammable or low flash-point detergents to avoid the risk of a fire or explosion.

NOTE

If the engine frequently works under dusty or other severe circumstances, clean the air filter every 10 hours and add change its oil with new. If necessary, change the air filter element every 25 hours.

SPARK PLUG

To maintain the spark plug (Fig. 23.4):

- Remove the spark plug cap (Fig. 23.1) to access the spark plug (Fig. 23.2).
- Use an appropriate spark plug tool (Fig. 23.3) to carefully remove the spark plug.
- Inspect the condition of the spark plug and its electrode. It must be clean and not worn. Check that the spark plug gap is between 0,7 and 0,8mm. Replace the spark plug with a new one, if needed.
- Carefully thread the spark plug into the engine by hand.
- Once threaded, use the appropriate spark plug tool to tighten the spark plug, paying attention not to use excessive force damaging the threads.
- Re-attach the spark plug cap.

WARNING

Never allow dirt or debris to enter the cylinder bore. Before removing the spark plug, thoroughly clean the spark plug and cylinder head area.

FUEL SEDIMENT CUP**WARNING**

Maintain the fuel carburetor only outdoors and in well ventilated areas. Make sure that you catch drained fuel in an appropriate container and wipe off any spilled fuel.

To maintain the fuel sediment cup:

- Turn the fuel valve (Fig. 24.1) to the "OFF" position.
- Remove the carburetor fuel sediment cup (Fig. 24.3) with its rubber seal ring (Fig. 24.2).
- Wash the removed parts in solvent, dry them thoroughly.

WARNING

Never clean the fuel sediment cup with flammable or low flash-point detergents to avoid the risk of a fire or explosion.

- Replace the rubber seal ring with a new one if needed.
- Reinstall the rubber seal ring and sediment cup and secure in position.
- Turn the fuel valve to "ON" position and check for any fuel leaks.

FUEL FILTER

The fuel tank may be fitted with a filter, depending on tiller model, situated at the fuel tank cap. The fuel filter can be picked out and should be checked periodically. If the filter is dirty, clean it and replace it with a new one when required. In case the inside of

the fuel tank is dirty, it can be cleaned by rinsing the fuel tank with clean petrol.

CLEANING

Use a small soft brush to clean the outside of the unit. Do not use strong detergents. Household cleaners that contain aromatic oils such as pine and lemon and solvents such as kerosene can damage plastic housing or handle. Wipe off any moisture with a soft cloth. The tines and fenders can be cleaned with water using a garden hose.

STORAGE**WARNING**

Never store the unit with fuel in the tank and always allow the unit to cool before storing. Store the unit only in dry and well ventilated areas.

In case the unit will be stored for an extended time, use the following storage procedure:

- Drain all fuel from the fuel tank.
- Turn the fuel valve to "OFF" position. Remove the carburetor drain plug (Fig. 24.4) and washer (24.5). Make sure that you catch drained fuel in an appropriate container and wipe off any spilled fuel. This ensures that all the fuel has been drained from the carburetor.
- Replace the engine oil with new.
- Replace the air filter oil with new, if the air filter is oil bath type.
- Remove the spark plug and put 30 ml of high quality motor oil into the cylinder. Pull the starter rope slowly to distribute the oil and then reinstall the spark plug.
- Thoroughly clean the unit and inspect for any loose or damaged parts. Repair or replace damaged parts and tighten loose screws, nuts or bolts.
- Lubricate all parts required with an oil damp cloth to avoid rust built-up.

ENVIRONMENTAL PROTECTION

Recycle raw materials instead of disposing as waste. Machine, accessories and packaging should be sorted for environment friendly recycling. The plastic components are labeled for categorized recycling. Dispose used motor oil and the containers in a manner that is compatible with the environment. We suggest you take it in a sealed container to your local recycling center or service station for reclamation. Do not throw it in the trash, pour it on the ground, or pour it down a drain.

WARRANTY

This product is warranted in accordance with the legal / country specific regulations, effective from the date of purchase by the first user. Damage attributable to normal wear and tear, overload or improper handling will be excluded from the warranty. In case of a claim, please send the machine, completely assembled, to your dealer or the official service center.

FRANÇAIS

AVERTISSEMENTS GÉNÉRAUX DE SÉCURITÉ

Lisez et comprenez ce manuel de l'utilisateur avant d'utiliser ce produit. Vous pouvez aider à prévenir les accidents en vous familiarisant avec les commandes de votre produit et en respectant les procédures d'utilisation et les panneaux de sécurité. Utilisez toujours votre bon sens pour éviter toutes les situations considérées au-delà de vos capacités. Ne pas utiliser si vous êtes fatigué ou sous l'influence de drogues, d'alcool ou de tout autre médicament. Gardez les spectateurs et les animaux qui pourraient être blessés, ainsi que les objets qui pourraient être endommagés, à l'écart pendant le fonctionnement. Ne permettez jamais aux enfants ou aux personnes non familiarisées avec ces instructions d'utiliser le produit. Les lois locales peuvent restreindre l'âge minimum de l'opérateur. Gardez à l'esprit que l'opérateur ou l'utilisateur est responsable des accidents ou des événements imprévus survenant à d'autres personnes, animaux ou à leurs biens. N'exposez pas le produit à une humidité excessive, à la poussière, à la saleté ou aux vapeurs corrosives. Ne montez pas d'équipement ou d'accessoires sur la machine non prévus ou approuvés par le fabricant. N'essayez jamais de modifier le produit. Les modifications ou accessoires non autorisés peuvent entraîner des blessures graves ou la mort de l'opérateur ou d'autres personnes. Consultez votre revendeur agréé pour le démontage et l'entretien, non couverts dans ce manuel. Si quelque chose se brise ou si un accident se produit pendant le travail, éteignez immédiatement la machine et éloignez-la pour éviter d'autres dommages. Au cas où un corps étranger aurait pénétré dans la machine, arrêtez-la immédiatement, inspectez-la pour déceler tout dommage et effectuez les réparations avant de la redémarrer.

ÉQUIPEMENT PROTECTEUR

Assurez-vous que vous utilisez un équipement de protection approprié et certifié lors de l'utilisation de l'unité. Portez toujours des vêtements qui ne gênent pas les mouvements, des gants de protection, des lunettes, un demi-masque respiratoire, une protection auditive et des bottes de sécurité anti-cisaillement à semelles antidérapantes. Ne portez jamais d'écharpes, de colliers ou d'accessoires et vêtements suspendus ou flottants qui pourraient se coincer dans la machine. Attachez vos cheveux s'ils sont longs.

RISQUES DE POISON

Utilisez uniquement à l'extérieur et dans des zones bien ventilées. Lorsqu'il tourne, le moteur échappe du monoxyde de carbone toxique, un gaz inodore et incolore. L'inhalation de monoxyde de carbone provoquera des nausées, des évanouissements ou la mort. N'utilisez pas la machine dans un espace confiné où des vapeurs de monoxyde de carbone dangereuses peuvent se développer,

ou à proximité de fenêtres ouvertes.

Le carburant et l'huile sont extrêmement toxiques. Ne pas inhaler les gaz d'évaporation du carburant et toujours porter un équipement de protection approprié lors de leur manipulation. Stockez toujours le carburant et l'huile dans des conteneurs approuvés et jetez-les de manière responsable.

RISQUES D'INCENDIE ET DE BRÛLURE

Certaines parties de la machine deviennent suffisamment chaudes pour enflammer des matériaux inflammables. Ne pas utiliser dans des zones à haut risque d'incendie. Ne dirigez pas le silencieux et donc les gaz d'échappement vers des matériaux inflammables.

Certaines pièces de la machine deviennent suffisamment chaudes pour provoquer des brûlures. Faites attention à ne pas les toucher afin d'éviter de vous brûler. Laissez refroidir la machine avant de la ranger.

L'essence et l'huile sont inflammables. Suivez les instructions fournies par chaque fabricant avant utilisation. Les sources potentielles d'incendie ou d'étincelles doivent être tenues à l'écart en tout temps. Ne fumez pas à proximité de la machine ou de carburant et d'huile. Faire le plein uniquement à l'extérieur, dans un endroit bien ventilé, moteur arrêté. Ouvrez lentement le réservoir de carburant pour permettre à la pression à l'intérieur de diminuer progressivement. Ne remplissez pas trop le réservoir de carburant. Assurez-vous qu'il y a une certaine distance entre tout réservoir d'essence de rechange et l'unité, pour éviter tout danger inutile. Assurez-vous que tout le carburant et l'huile répandus ont été essuyés avant de démarrer le moteur.

En cas d'incendie, utilisez un extincteur approprié spécialement conçu pour les feux d'huile et d'essence.

AVERTISSEMENTS DE SÉCURITÉ DE CATÉGORIE

FONCTIONNEMENT SÛR

Tous les leviers de commande de la machine doivent se déplacer facilement d'une position à l'autre et ne doivent pas nécessiter de forçage. Les leviers d'embrayage et de marche arrière (le cas échéant) doivent revenir automatiquement et rapidement en position neutre. Les câbles électriques et en particulier le câble de la bougie doivent être en parfait état pour éviter la génération d'étincelles et le capuchon de la bougie doit être correctement monté sur la bougie. Les poignées et les dispositifs de protection doivent être propres et secs ainsi que solidement fixés à la machine.

Vérifiez toujours s'il y a des objets susceptibles de bloquer l'écran d'admission d'air avant de commencer à travailler. Une prise d'air obstruée réduit les performances de la machine et augmente la température de fonctionnement du moteur, ce qui peut entraîner une panne du moteur. Assurez-vous d'arrêter le moteur:

- ▶ Lors du montage ou du retrait d'accessoires.
- ▶ Lors du déplacement entre les zones de travail ou au-dessus des zones pavées et des obstacles au sol.
- ▶ Chaque fois que vous laissez la machine sans surveillance.
- ▶ Pendant le ravitaillement.
- ▶ Pendant le nettoyage ou l'entretien.
- ▶ Pendant le transport.
- ▶ Avant le stockage.

DANGERS LIÉS AUX PIÈCES ROTATIVES

Les pièces en rotation peuvent provoquer des blessures graves. Évitez tout contact avec les pièces rotatives lorsqu'elles sont encore en rotation. Ne mettez jamais vos mains ou vos pieds dans le corps de la pompe lorsque le moteur tourne. Ne jamais faire fonctionner le moteur avec le corps de pompe démonté.

RISQUES DE BRUIT ET DE VIBRATION

Les niveaux de bruit et de vibration indiqués dans ces instructions sont les niveaux maximums d'utilisation de la machine. Un entretien insuffisant a un impact significatif sur les vibrations et les émissions sonores. Par conséquent, il est nécessaire de prendre des mesures préventives pour éliminer les dommages éventuels dus aux niveaux élevés de bruit et de stress dû aux vibrations. Entretenez bien la machine, portez des protections auditives, des gants anti-vibrations et faites des pauses pendant le travail. Pendant une journée de travail, vous devez prendre des pauses fréquentes et adéquates pour éviter les dommages dus aux vibrations et aux oreilles.

DANGERS DE LA ZONE DE TRAVAIL

Inspectez soigneusement toute la zone de travail et retirez tout ce qui pourrait être projeté par la machine, être une source dangereuse ou endommager la machine (pierres, branches, fil de fer, os, etc.). Vérifiez qu'il n'y a pas de spectateurs, d'animaux ou d'objets susceptibles d'être endommagés à moins de 15 mètres du rayon d'action de la machine.

Travaillez uniquement à la lumière du jour, ou avec une lumière artificielle appropriée, dans de bonnes conditions de visibilité. Essayez de ne causer aucun bruit, en n'utilisant cette machine qu'à des heures raisonnables de la journée.

Adoptez une position ferme et équilibrée. Dans la mesure du possible, évitez de travailler sur un sol mouillé et glissant ou dans tous les cas sur un sol irrégulier ou escarpé qui ne garantit pas la stabilité pour l'opérateur ou les conditions de fonctionnement correctes de la machine.

DANGERS RESTANTS

La machine a été construite en utilisant une technologie moderne et conformément aux règles de sécurité reconnues. Même lorsque toutes les mesures de sécurité sont en place, certains dangers restants, qui ne sont pas encore évidents, peuvent être présents. L'opérateur doit faire preuve de bon sens et prendre les précautions né-

cessaires pour éviter les risques dus aux dangers restants.

SPÉCIFICATIONS DU PRODUIT

UTILISATION PRÉVUE

Cette machine est conçue et fabriquée pour transférer de l'eau, par ex. dans les serres, les vergers, les jardins. Les pompes à eau propre et à haute pression sont conçues pour pomper uniquement de l'eau propre. Les pompes chimiques sont conçues pour pomper de l'eau propre, une base acide faible (PH 4-11) et des liquides à haute température d'inflammation ou de l'eau de mer. Les pompes semi-poubelles (eaux usées) sont conçues pour pomper de l'eau propre ou de l'eau contenant des solides mous d'un diamètre ne dépassant pas 25,4mm. Les pompes à déchets (boue) sont conçues pour pomper de l'eau propre ou de l'eau contenant des solides d'un diamètre ne dépassant pas 25,4mm jusqu'à un degré allant jusqu'à 50%.

Toute autre utilisation différente de celles mentionnées ci-dessus pourrait être dangereuse, blesser des personnes et endommager les choses et la machine elle-même.

UTILISATION INCORRECTE

La machine ne doit pas être utilisée pour pomper des matières dangereuses, par ex. accumulation de produits inflammables ou explosifs, de braises chaudes ou de matériaux de combustion sans flamme, de cigarettes allumées, de verre, d'objets tranchants, d'objets métalliques, de pierres et de tout autre objet pouvant être dangereux pour la machine elle-même ainsi que pour l'opérateur, les spectateurs, les animaux ou propriété.

D'autres exemples d'utilisation incorrecte peuvent inclure, mais sans s'y limiter, le fonctionnement de la machine:

- ▶ Sans les accessoires d'origine fournis par le fabricant.
- ▶ Avec des accessoires d'origine mais d'une manière non conforme aux instructions.
- ▶ Sans pièces de rechange d'origine.
- ▶ Avec des modifications non autorisées.
- ▶ Par plus d'une personne.

SPÉCIFICATIONS TECHNIQUES PAGE 80

IDENTIFICATION

GWP 40/79 PLUS (Fig. 1)

1. Bouchon du réservoir de carburant
2. Réservoir d'essence
3. Poignée de démarrage
4. La manette des gaz
5. Filtre à air
6. Commutateur de carburant
7. Levier de starter
8. Poignée de transport
9. Bougie d'allumage
10. Silencieux
11. Bouchon d'amorçage de la pompe
12. Port d'aspiration (entrée)

13. Bouchon de vidange de la pompe
14. Bouchon de vidange d'huile moteur
15. Jauge d'huile moteur
16. Port de décharge (sortie)
17. Bouton ON / OFF

GWP 50/209 PLUS, GWP 50/212 PRO, GWP 80/212 PRO (Fig. 2)

1. Cadre
2. Bouchon d'amorçage de la pompe
3. Port de décharge (sortie)
4. Bouton ON / OFF
5. Jauge d'huile moteur
6. Poignée de démarrage
7. Bouchon du réservoir de carburant
8. Filtre à air
9. Silencieux
10. Bouchon de vidange d'huile moteur
11. Bouchon de vidange de la pompe
12. Port d'aspiration (entrée)
13. Réservoir d'essence

GWP 80/212 ST PRO (Fig. 3)

1. Cadre
2. Bouchon d'amorçage de la pompe
3. Couvercle de pompe Boulon de type T
4. Bouton ON / OFF
5. Jauge d'huile moteur
6. Bouchon de vidange d'huile moteur
7. Poignée de démarrage
8. Réservoir d'essence
9. Bouchon du réservoir de carburant
10. Filtre à air
11. Silencieux
12. Bouchon de vidange de la pompe
13. Port d'aspiration (entrée)
14. Port de décharge (sortie)

GWP 80/301 FT PRO (Fig. 4)

1. Cadre
2. Port de décharge (sortie)
3. Bouton ON / OFF
4. Jauge d'huile moteur
5. Bouchon de vidange d'huile moteur
6. Poignée de démarrage
7. Réservoir d'essence
8. Bouchon du réservoir de carburant
9. Filtre à air
10. Silencieux
11. Bouton du couvercle de la pompe
12. Bouchon de vidange de la pompe
13. Port d'aspiration (entrée)
14. Bouchon d'amorçage de la pompe

GWP 50/212 H PRO, GWP 50/389 H PRO (Fig. 5), GWP 50/212 H2 PRO (Fig. 6)

1. Cadre
2. Port de décharge (sortie)
3. Bouton ON / OFF
4. Jauge d'huile moteur
5. Bouchon de vidange d'huile moteur
6. Poignée de démarrage
7. Réservoir d'essence
8. Bouchon du réservoir de carburant

9. Filtre à air
10. Silencieux
11. Bouchon de vidange de la pompe
12. Port d'aspiration (entrée)
13. Bouchon d'amorçage de la pompe

GWP 50/212 CH PRO, GWP 80/212 CH PRO (Fig. 7)

1. Cadre
2. Bouchon d'amorçage de la pompe
3. Bouton ON / OFF
4. Jauge d'huile moteur
5. Bouchon de vidange d'huile moteur
6. Poignée de démarrage
7. Réservoir d'essence
8. Bouchon du réservoir de carburant
9. Filtre à air
10. Silencieux
11. Bouchon de vidange de la pompe
12. Port d'aspiration (entrée)
13. 1 Port de décharge (sortie)

OPÉRATION

PRÉOPÉRATION

Le déballage et l'achèvement de l'assemblage doivent être effectués sur une surface plane et stable, avec suffisamment d'espace pour déplacer la machine et son emballage, en utilisant toujours un équipement approprié. L'assemblage doit être effectué par du personnel qualifié dans le magasin le plus proche, si nécessaire.

Ravitaillement et lubrification

ATTENTION

La machine est livrée sans huile ni carburant.

Ce produit est équipé d'un moteur à 4 temps, ce qui signifie que l'essence doit être utilisée dans le réservoir de carburant et que le moteur doit être rempli d'huile.

Spécifications du carburant: Essence sans plomb ou 90 octane ou plus.

Capacité du réservoir de carburant: reportez-vous au «TABLEAU DES DONNÉES TECHNIQUES»

Pour remplir la machine de carburant:

1. Retirez le bouchon du réservoir de carburant.
2. Ajoutez du carburant jusqu'au niveau supérieur du réservoir de carburant. Laisser un espace minimum de 5 mm entre le haut du carburant et le bord intérieur du réservoir pour permettre l'expansion. La moitié de la longueur du filtre du bouchon du réservoir de carburant (Fig. 9) peut également servir d'indicateur de niveau de carburant supérieur, le cas échéant.
3. Repositionnez le bouchon du réservoir de carburant et serrez-le correctement.

ATTENTION

Utilisez toujours un contenant propre pour stocker le carburant et n'utilisez pas de carburant stocké pendant plus d'un mois.

Spécifications de l'huile: Pour une utilisation générale (5°C - 38°C), l'huile recommandée est l'huile moteur 4 temps SAE 10W30 (Fig. 8).

Capacité d'huile moteur: reportez-vous au «TABLEAU DES DONNÉES TECHNIQUES»

Pour remplir le moteur d'huile:

1. Retirez le bouchon de remplissage d'huile (Fig. 10.1) du goulot de remplissage d'huile moteur (Fig. 10.2). La partie inférieure de celui-ci est l'indicateur de niveau d'huile.
2. Ajoutez graduellement suffisamment d'huile pour amener le niveau d'huile à la lèvre du goulot de remplissage d'huile, jusqu'au niveau supérieur (Fig. 10.3) et pas plus bas que le niveau inférieur (Fig. 10.4).
3. Repositionnez le bouchon de remplissage d'huile et serrez-le correctement.

ATTENTION

Utilisez un entonnoir pour éviter de renverser du carburant ou de l'huile. Essayez tout carburant et huile renversés avant de démarrer le moteur.

Sélection de la pompe

Le modèle de pompe approprié doit être sélectionné d'abord en fonction du liquide à pomper, puis en fonction des besoins spécifiques de l'installation à utiliser. Un ingénieur expérimenté devrait être en mesure de vous guider en calculant correctement les besoins spécifiques de l'installation pour laquelle vous prévoyez d'utiliser la pompe. Une fois que les données requises de débit et de hauteur de refoulement requises sont estimées, vous pouvez utiliser les graphiques de performance (Fig. 25-34) pour choisir le modèle de pompe le plus approprié.

Placement des unités

L'unité doit être utilisée sur un sol stable et plat afin d'éviter d'endommager l'unité et pour qu'elle puisse offrir des performances maximales. Idéalement, la pompe doit être placée près du niveau de la source d'eau et vous ne devez utiliser des tuyaux que ce qui est nécessaire pour le travail. La longueur, le type et la taille des tuyaux d'aspiration et de refoulement peuvent affecter considérablement les performances de sortie de la pompe. Notez également que lorsque la hauteur d'aspiration (Fig. 11.2) ou la hauteur de refoulement (Fig. 11.3) augmente, ce qui entraîne une augmentation de la hauteur totale (Fig. 11.1), les performances de sortie de la pompe diminuent. Minimiser la hauteur d'aspiration en plaçant la pompe près du niveau d'eau est également très important pour réduire le temps d'auto-amorçage.

Installation du tuyau d'aspiration

Pour installer votre tuyau d'aspiration (Fig.12.6) sur l'orifice d'aspiration de la pompe (Fig.12.1), utilisez le joint (Fig.12.2), le raccord de tuyau (Fig.12.3), le collier de raccordement du tuyau (Fig.12.4) et le tuyau collier (Fig. 12.5) comme indiqué sur la Fig. 12. Il est recommandé d'utiliser un tuyau d'aspiration de même diamètre que l'orifice d'aspiration pour éviter une perte de performance due au frottement de l'eau avec l'intérieur des parois du tuyau ou des perturbations de débit. À l'autre extrémité du tuyau d'aspiration (Fig. 13.3), installez la crépine (Fig. 13.1) à l'aide du collier de serrage (Fig. 13.2) comme indiqué sur la Fig. 13. La crépine aidera à empêcher la pompe de se

boucher ou de s'endommager. par les débris contenus dans l'eau à pomper.

Installation du tuyau de refoulement

Pour installer votre tuyau de refoulement (Fig. 14.3) sur l'orifice de refoulement de la pompe (Fig. 14.2), utilisez le joint, le connecteur de tuyau, le collier de raccordement de tuyau et le collier de serrage (Fig. 14.2) comme indiqué sur la Fig. 14. Il est recommandé d'utiliser un tuyau de refoulement d'un diamètre identique à celui de l'orifice de refoulement pour éviter une perte de performance due au frottement de l'eau avec l'intérieur des parois du tuyau ou à des perturbations du débit. Serrez fermement le collier de serrage pour empêcher le tuyau de refoulement de se déconnecter sous haute pression.

Amorçage de la pompe

L'intérieur du corps de la pompe doit être rempli d'eau propre avant de démarrer le moteur.

ATTENTION

La pompe ne doit jamais fonctionner à sec afin d'éviter d'endommager les joints et les pièces rotatives de la pompe en raison de températures élevées et de frottements.

Pour amorcer la pompe:

1. Retirez le capuchon d'amorçage de la pompe (Fig. 15.1).
2. Remplissez la pompe d'eau claire (Fig. 15.2).
3. Repositionner le capuchon d'amorçage de la pompe et serrer correctement.

DEMARRAGE DE L'UNITÉ

Avant de démarrer la machine:

1. Assurez-vous que la machine et vous êtes sur un sol stable.
 2. Vérifiez que toutes les fixations sont bien fixées.
 3. Préparez les tuyaux d'aspiration et de refoulement et assurez-vous qu'ils sont correctement montés.
 4. Vérifiez que le filtre à air est propre et que l'entrée et la sortie d'air ne sont pas obstruées par des corps étrangers.
 5. Remplissez avec la quantité requise d'huile et de carburant.
 6. Amorcer la pompe.
- Pour démarrer la machine:
1. Déplacez le levier du robinet de carburant (Fig. 16.1) sur la position «ON».
 2. Déplacez le levier du starter (Fig. 17.1) sur la position «CHOKE».

REMARQUE

Cette étape s'applique uniquement au démarrage à froid du moteur. Lorsque le moteur est déjà chaud ou que la température ambiante est élevée, le levier du starter doit être en position «RUN» à tout moment.

3. Mettez l'interrupteur MARCHE / ARRÊT sur la position «MARCHE» (Fig. 18.1).
4. Déplacez le levier d'accélérateur (Fig. 19.1) de 1/3 de la course vers la position «A» (vitesse rapide).
5. Saisissez fermement la poignée de la machine avec la main gauche et la poignée du démarre-

ur (Fig. 20.2) du moteur avec la main droite. Tirez sur la poignée du démarreur jusqu'à ce que vous sentiez une résistance pour engager le moteur, puis tirez fermement pour démarrer le moteur.

ATTENTION

Pour éviter de casser le câble de démarrage (Fig. 20.1), ne le tirez pas sur toute sa longueur et ne le laissez pas glisser le long du bord du trou du guide-câble. Relâchez le démarreur progressivement, pour éviter de le laisser revenir de manière incontrôlable.

- Au fur et à mesure que le moteur chauffe, déplacez progressivement le levier du starter sur la position «RUN» si le moteur a démarré à froid.

REMARQUE

Pour des performances et une fiabilité maximales, laissez le moteur se réchauffer avant de fonctionner à pleine charge, en le faisant tourner pendant deux à trois minutes au ralenti.

- Une fois le moteur réchauffé, placez le levier d'accélérateur en position «A» (vitesse élevée) pour l'auto-amorçage et vérifiez le débit de la pompe.

UTILISATION DE L'UNITÉ

La manette des gaz

Le débit de sortie est contrôlé en ajustant le régime moteur en déplaçant le levier d'accélérateur entre les positions «A» (vitesse élevée) et «B» (vitesse lente). L'augmentation du régime du moteur augmente le débit de sortie de la pompe. Diminuer le régime du moteur, diminue le débit de sortie de la pompe.

ARRÊT DE L'APPAREIL

Pour arrêter la machine:

- Réduisez le régime du moteur en déplaçant le levier d'accélérateur sur la position «B» (vitesse lente).
- Mettez l'interrupteur MARCHÉ / ARRÊT sur la position «ARRÊT» (Fig. 18.2).
- Déplacez le levier du robinet de carburant en position «OFF».
- Retirez le bouchon de vidange de la pompe et vidangez la chambre du corps de la pompe à sec.
- Retirez le capuchon d'amorçage de la pompe et rincez la chambre du corps de la pompe à l'eau claire pour éliminer tout résidu d'eau pompée ou tout corps étranger qui pourrait endommager la pompe.
- Laisser toute l'eau s'écouler de la chambre du corps de la pompe.
- Remettez en place le capuchon d'amorçage de la pompe et le bouchon de vidange de la pompe et serrez correctement.

ENTRETIEN ET NETTOYAGE

ATTENTION

N'effectuez jamais de maintenance ou de nettoyage lorsque l'appareil est en marche. Travaillez toujours

sur une unité froide. Avant de nettoyer ou d'effectuer des travaux de maintenance, débranchez le capuchon de la bougie et lisez les instructions correspondantes. Portez toujours des vêtements et des gants de protection appropriés lorsque vos mains sont en danger.

Tout réglage ou opération de maintenance non décrit dans ce manuel doit être effectué par votre revendeur ou un centre de service spécialisé disposant des connaissances et de l'équipement nécessaires pour garantir que le travail est effectué correctement en maintenant le niveau de sécurité d'origine de la machine. Toute opération effectuée dans des centres non autorisés ou par des personnes non qualifiées invalidera totalement la garantie et toutes les obligations et responsabilités du fabricant.

Gardez tous les écrous et vis bien serrés pour vous assurer que la machine est toujours en bon état de fonctionnement. La maintenance de routine est essentielle pour la sécurité et pour maintenir un niveau de performance élevé.

ATTENTION

N'utilisez jamais la machine avec des pièces usées ou endommagées. Les pièces défectueuses ou usées doivent toujours être remplacées et non réparées. N'utilisez que des pièces de rechange d'origine.

CALENDRIER DE MAINTENANCE

Articles		La fréquence				
		Avant chaque utilisation	Après le 1er mois ou les 20 premières heures de fonctionnement	Tous les 3 mois ou 50h de fonctionnement	Tous les 12 mois ou 100 heures de fonctionnement	Tous les 24 mois ou 250 heures de fonctionnement
Unité complète	Visuel Inspection	✓				
Poignées de contrôle	Vérifier Opération	✓				
Pare-étincelles (si disponible)	Vérifier		✓*			
Huile moteur	Vérifier-Recharge	✓				
	Remplacer		✓	✓		
Filtre à air	Vérifier	✓				
	Faire le ménage		✓			
	Remplacer			✓		
Bougie d'allumage	Vérifier-Régler		✓		✓*	
Conduite de carburant et filtre	Vérifier-Faire le ménage**				✓*	

La fréquence		Articles	Avant chaque utilisation	Après le 1er mois ou les 20 premières heures de fonctionnement	Tous les 3 mois ou 50h de fonctionnement	Tous les 12 mois ou 100 heures de fonctionnement	Tous les 24 mois ou 250 heures de fonctionnement
Articles							
Réservoir d'essence	Vérifier-Faire le ménage **						√*
Gobelet de dépôt (si disponible)	Faire le ménage		√	√			
Soupape autorisation	Vérifier-Régler **				√		
Chambre de combustion	Vérifier-Faire le ménage **						√*
* Ces éléments doivent être remplacés si nécessaire.							
** Ces opérations doivent être effectuées uniquement par un revendeur agréé, disposant des outils appropriés et des compétences mécaniques requises.							

HUILE MOTEUR

ATTENTION

La vérification du niveau et la vidange de l'huile doivent être effectuées sur un sol solide et plat. Le moteur doit être arrêté à tout moment. Si le moteur était en marche, il sera chaud et la procédure doit être effectuée avec soin et avec les précautions nécessaires afin d'éviter tout risque de brûlure.

REMARQUE

Vidangez l'huile usagée pendant que le moteur est chaud. L'huile chaude s'écoule rapidement et complètement.

Pour vérifier le niveau d'huile:

1. Retirez le bouchon de remplissage d'huile (Fig. 21.6) du goulot de remplissage d'huile moteur (Fig. 21.1).
2. Vérifiez le niveau d'huile. Le niveau d'huile doit atteindre la lèvre (Fig. 21.7) du goulot de remplissage d'huile. Si nécessaire, ajoutez suffisamment d'huile pour amener le niveau d'huile à la lèvre du goulot de remplissage d'huile, jusqu'au niveau supérieur (Fig. 10.3) et non inférieur au niveau inférieur (Fig. 10.4).
3. Repositionnez le bouchon de remplissage d'huile et serrez-le correctement.

Pour changer l'huile:

1. Retirez le bouchon de remplissage d'huile du goulot de remplissage d'huile moteur.
2. Placez un récipient approprié (Fig. 21.3) sous l'orifice de vidange d'huile (Fig. 21.2) pour récupérer l'huile usée.
3. Retirez le bouchon de vidange d'huile (Fig. 21.4) et la rondelle (Fig. 21.5) pour permettre à l'huile de se vidanger complètement.
4. Repositionner le bouchon de vidange d'huile avec

sa rondelle et serrer de manière appropriée.

5. Ajoutez graduellement suffisamment d'huile pour amener le niveau d'huile à la lèvre du goulot de remplissage d'huile, jusqu'au niveau supérieur (Fig. 10.3) et pas plus bas que le niveau inférieur (Fig. 10.4).
6. Repositionnez le bouchon de remplissage d'huile et serrez-le correctement.

REMARQUE

Si le moteur fonctionne fréquemment dans des conditions extrêmement poussiéreuses ou dans d'autres circonstances graves, changez l'huile moteur toutes les 25 heures.

ATTENTION

Faire tourner le moteur entraînera un bas niveau d'huile endommagera le moteur.

FILTRE À AIR

ATTENTION

Faire fonctionner le moteur sans filtre à air ou avec un filtre à air endommagé permettra à la saleté de pénétrer dans le moteur, provoquant une usure rapide du moteur.

Pour vérifier, nettoyer ou changer le filtre à air:

1. Retirez le couvercle du filtre à air (Fig. 22.1).
2. Assurez-vous que l'élément du filtre à air (Fig. 22.2) est exempt de saleté et en bon état. S'il est sale, retirez-le et nettoyez-le.
 - Pour nettoyer un élément de filtre à air en mousse, lavez-le avec un détergent domestique et de l'eau chaude et laissez-le sécher. Faites-le ensuite tremper dans de l'huile moteur saturée propre et essorez doucement l'excès d'huile. Si nécessaire, remplacez-le par un neuf.
 - Pour nettoyer un élément de filtre à air en papier, nettoyez la saleté légère en le tapotant doucement plusieurs fois sur une surface dure et remplacez-le s'il y a de la saleté.
3. Nettoyez l'intérieur du boîtier du filtre à air et le couvercle de la saleté avec un chiffon doux. Si le moteur est équipé d'un filtre à air à bain d'huile, remplacez l'huile par une nouvelle huile moteur.
4. Réinstallez l'élément du filtre à air et suivre la procédure inverse pour remettre en place le couvercle du filtre à air.

ATTENTION

Ne nettoyez jamais le filtre à air avec des détergents inflammables ou à faible point d'éclair pour éviter tout risque d'incendie ou d'explosion.

REMARQUE

Si le moteur fonctionne fréquemment dans des conditions poussiéreuses ou dans d'autres circonstances sévères, nettoyez le filtre à air toutes les 10 heures et ajoutez-en une nouvelle. Si nécessaire, changez l'élément du filtre à air toutes les 25 heures.

BOUGIE D'ALLUMAGE

Pour entretenir la bougie (Fig. 23.4):

1. Retirez le capuchon de la bougie (Fig. 23.1) pour accéder à la bougie (Fig. 23.2).
2. Utilisez un outil pour bougie d'allumage approprié (Fig. 23.3) pour retirer soigneusement la bougie d'allumage.
3. Inspectez l'état de la bougie d'allumage et de son électrode. Il doit être propre et non porté. Véri-

fiez que l'écartement de la bougie d'allumage est compris entre 0,7 et 0,8 mm. Remplacez la bougie par une neuve, si nécessaire.

4. Enfilez soigneusement la bougie d'allumage dans le moteur à la main.
5. Une fois fileté, utilisez l'outil de bougie d'allumage approprié pour serrer la bougie, en faisant attention à ne pas utiliser une force excessive qui endommagerait les filets.
6. Remettez le capuchon de la bougie en place.

ATTENTION

Ne laissez jamais la saleté ou les débris pénétrer dans l'alésage du cylindre. Avant de retirer la bougie, nettoyez soigneusement la bougie et la culasse.

TASSE DE SÉDIMENT À CARBURANT

ATTENTION

Entretenez le carburateur à carburant uniquement à l'extérieur et dans des zones bien ventilées. Assurez-vous que vous récupérez le carburant vidangé dans un récipient approprié et essuyez tout carburant renversé.

Pour entretenir la coupelle à sédiments de carburant:

1. Tournez le robinet de carburant (Fig. 24.1) sur la position «OFF».
2. Retirez la coupelle de sédiment de carburant du carburateur (Fig. 24.3) avec sa bague d'étanchéité en caoutchouc (Fig. 24.2).
3. Lavez les pièces retirées dans un solvant, séchez-les soigneusement.

ATTENTION

Ne nettoyez jamais la coupelle de sédiments de carburant avec des détergents inflammables ou à faible point d'éclair pour éviter tout risque d'incendie ou d'explosion.

4. Remplacez la bague d'étanchéité en caoutchouc par une nouvelle si nécessaire.
5. Réinstallez la bague d'étanchéité en caoutchouc et la coupelle à sédiments et fixez-les en place.
6. Tournez le robinet de carburant en position «ON» et vérifiez s'il y a des fuites de carburant.

FILTRE À CARBURANT

Le réservoir de carburant peut être équipé d'un filtre, selon le modèle de barre franche, situé au niveau du bouchon du réservoir de carburant. Le filtre à carburant peut être choisi et doit être vérifié périodiquement. Si le filtre est sale, nettoyez-le et remplacez-le par un nouveau si nécessaire. Si l'intérieur du réservoir de carburant est sale, il peut être nettoyé en rinçant le réservoir de carburant avec de l'essence propre.

NETTOYAGE

Utilisez une petite brosse douce pour nettoyer l'extérieur de l'appareil. N'utilisez pas de détergents puissants. Les nettoyants ménagers contenant des huiles aromatiques telles que le pin et le citron et des solvants tels que le kérosène peuvent endommager le boîtier ou la poignée en plastique. Essuyez toute trace d'humidité avec un chiffon doux. Les dents et les ailes peuvent être nettoyées à l'eau à l'aide d'un tuyau d'arrosage.

STOCKAGE

ATTENTION

Ne stockez jamais l'unité avec du carburant dans le réservoir et laissez toujours l'unité refroidir avant de la ranger. Stockez l'appareil uniquement dans des zones sèches et bien ventilées.

Au cas où l'unité serait stockée pendant une période prolongée, utilisez la procédure de stockage suivante:

1. Vidangez tout le carburant du réservoir de carburant.
2. Tournez le robinet de carburant en position «OFF». Retirez le bouchon de vidange du carburateur (Fig. 24.4) et la rondelle (Fig. 24.5). Assurez-vous que vous récupérez le carburant vidangé dans un récipient approprié et essuyez tout carburant renversé. Cela garantit que tout le carburant a été vidangé du carburateur.
3. Remplacez l'huile moteur par une nouvelle.
4. Remplacez l'huile du filtre à air par une nouvelle, si le filtre à air est du type à bain d'huile.
5. Retirez la bougie et mettez 30 ml d'huile moteur de haute qualité dans le cylindre. Tirez lentement sur la corde du démarreur pour distribuer l'huile, puis réinstallez la bougie d'allumage.
6. Nettoyez soigneusement l'unité et inspectez les pièces détachées ou endommagées. Réparez ou remplacez les pièces endommagées et serrez les vis, écrous ou boulons desserrés.
7. Lubrifiez toutes les pièces requises avec un chiffon humide pour éviter l'accumulation de rouille.

PROTECTION ENVIRONNEMENTALE

Recyclez les matières premières au lieu de les éliminer en tant que déchets. La machine, les accessoires et les emballages doivent être triés pour un recyclage respectueux de l'environnement. Les composants en plastique sont étiquetés pour un recyclage catégorisé.

Éliminez l'huile moteur usagée et les contenants d'une manière compatible avec l'environnement. Nous vous suggérons de l'apporter dans un contenant scellé à votre centre de recyclage local ou à votre station-service pour récupération. Ne le jetez pas à la poubelle, ne le versez pas par terre et ne le jetez pas dans un égout.

GARANTIE

Ce produit est garanti conformément aux réglementations légales / nationales, en vigueur à compter de la date d'achat par le premier utilisateur. Les dommages attribuables à une usure normale, une surcharge ou une mauvaise manipulation seront exclus de la garantie. En cas de réclamation, veuillez envoyer la machine, complètement assemblée, à votre revendeur ou au centre de service officiel.

ITALIANO

AVVERTENZE GENERALI DI SICUREZZA

Leggere e comprendere il manuale del proprietario prima di utilizzare questo prodotto. Puoi aiutare a prevenire gli incidenti acquisendo familiarità con i controlli del tuo prodotto e osservando procedure operative sicure e segnali di sicurezza. Usa sempre il tuo buon senso per evitare tutte le situazioni considerate al di là delle tue capacità. Non utilizzare in caso di stanchezza o sotto l'effetto di droghe, alcol o altri farmaci. Tenere gli astanti e gli animali che potrebbero essere feriti, nonché gli oggetti che potrebbero essere danneggiati, lontani durante il funzionamento. Non consentire mai a bambini o persone che non hanno familiarità con queste istruzioni di utilizzare il prodotto. Le leggi locali possono limitare l'età minima dell'operatore. Tenere presente che l'operatore o l'utente è responsabile di incidenti o eventi imprevisti che si verificano ad altre persone, animali o loro proprietà. Non esporre il prodotto a umidità eccessiva, polvere, sporco o vapori corrosivi. Non montare sulla macchina apparecchiature o accessori non previsti o approvati dal costruttore. Non tentare mai di modificare il prodotto. Modifiche o accessori non autorizzati possono provocare gravi lesioni personali o la morte dell'operatore o di altri. Consultare il proprio rivenditore autorizzato per lo smontaggio e l'assistenza, non trattati in questo manuale. Se qualcosa si rompe o si verifica un incidente durante il lavoro, spegnere immediatamente la macchina e allontanarla per evitare ulteriori danni. Nel caso in cui un corpo estraneo sia entrato nella macchina, fermarla immediatamente, ispezionarla per eventuali danni ed eseguire le riparazioni prima di riavviarla.

ATTREZZATURA DI PROTEZIONE

Assicurarsi di utilizzare dispositivi di protezione appropriati e certificati durante il funzionamento dell'unità. Indossare sempre indumenti che non ostacolino i movimenti, guanti protettivi, occhiali, respiratore a semimaschera, protezioni per le orecchie e stivali di sicurezza antitaglio con suola antiscivolo. Non indossare mai scarpe, collane o accessori e indumenti appesi o svolazzanti che potrebbero impigliarsi nella macchina. Lega i capelli se sono lunghi.

PERICOLI DI VELENO

Operare solo all'aperto e in aree ben ventilate. Durante il funzionamento, il motore scarica monossido di carbonio velenoso, un gas inodore e incolore. L'inalazione di monossido di carbonio provoca nausea, svenimenti o morte. Non azionare la macchina in uno spazio ristretto in cui possono svilupparsi pericolosi fumi di monossido di carbonio o vicino a finestre aperte.

Il carburante e l'olio sono estremamente tossici. Non inalare i gas evaporativi del carburante e indossare sempre dispositivi di protezione adeguati durante la manipolazione. Conservare sempre carburante e olio in contenitori approvati e smaltirli in modo responsabile.

RISCHI DI INCENDI E USTIONI

Alcune parti della macchina si surriscaldano abbastanza da incendiare materiali infiammabili. Non utilizzare in aree ad alto rischio di incendio. Non dirigere il silenziatore e quindi i fumi di scarico verso materiali infiammabili.

Alcune parti della macchina si surriscaldano abbastanza da provocare ustioni. Fare attenzione a non toccarli per evitare scottature. Lasciar raffreddare la macchina prima di riparla.

La benzina e l'olio sono infiammabili. Seguire le istruzioni fornite da ciascun produttore prima dell'uso. Potenziali fonti di fuoco o scintille devono essere sempre tenute lontane. Non fumare vicino alla macchina o qualsiasi carburante e olio. Fare rifornimento solo all'aperto, in una zona ben ventilata, a motore spento. Aprire lentamente il serbatoio del carburante per consentire alla pressione interna di diminuire gradualmente. Non riempire eccessivamente il serbatoio del carburante. Assicurarsi che ci sia una certa distanza tra l'eventuale serbatoio di benzina di scorta e l'unità, per evitare pericoli inutili. Assicurarsi che tutto il carburante e l'olio fuoriusciti siano stati rimossi prima di avviare il motore.

In caso di incendio, utilizzare un estintore appropriato appositamente progettato per incendi di petrolio e benzina.

CATEGORIA AVVERTENZE DI SICUREZZA

FUNZIONAMENTO SICURO

Tutte le leve operative della macchina devono spostarsi facilmente da una posizione all'altra e non devono necessitare di forzature. Le leve della frizione e della retromarcia (ove applicabile) devono ritornare automaticamente e rapidamente in posizione di folle. I cavi elettrici ed in particolare il cavo della candela devono essere in perfetto stato per evitare la generazione di scintille e il cappuccio della candela deve essere correttamente montato sulla candela. Le impugnature e i dispositivi di protezione devono essere puliti e asciutti e fissati saldamente alla macchina.

Verificare sempre la presenza di oggetti che potrebbero bloccare lo schermo della presa d'aria prima di iniziare a lavorare. Una presa d'aria ostruita riduce le prestazioni della macchina e aumenta la temperatura di lavoro del motore, il che può provocare un guasto del motore.

Assicurarsi di spegnere il motore:

- ▶ Durante il montaggio o la rimozione di accessori.
- ▶ Quando ci si sposta tra aree di lavoro o sopra aree pavimentate e ostacoli a terra.
- ▶ Ogni volta che si lascia la macchina incustodita.
- ▶ Durante il rifornimento.
- ▶ Durante la pulizia o la manutenzione.
- ▶ Durante il trasporto.
- ▶ Prima della conservazione.

PERICOLI DA PARTI ROTANTI

Le parti rotanti possono causare lesioni gravi. Evitare il contatto con le parti rotanti quando sono ancora in rotazione. Non mettere mai le mani o i piedi

all'interno del corpo della pompa mentre il motore è in funzione. Non azionare mai il motore con il corpo pompa smontato.

RISCHI DI RUMORE E VIBRAZIONI

I livelli di rumorosità e vibrazioni riportati in queste istruzioni sono i livelli massimi per l'utilizzo della macchina. Una manutenzione insufficiente ha un impatto significativo sulle vibrazioni e sulle emissioni sonore. Di conseguenza, è necessario adottare misure preventive per eliminare possibili danni dovuti a livelli elevati di rumore e stress da vibrazioni. Effettuare una buona manutenzione della macchina, indossare dispositivi di protezione per le orecchie, guanti antivibranti e fare delle pause durante il lavoro. Durante una giornata lavorativa, è necessario fare pause frequenti e adeguate per evitare danni da vibrazioni e danni alle orecchie.

PERICOLI SULL'AREA DI LAVORO

Ispezionare accuratamente l'intera area di lavoro e rimuovere tutto ciò che potrebbe essere proiettato dalla macchina, essere una fonte pericolosa o causare danni alla macchina (pietre, rami, filo di ferro, ossa ecc.). Verificare che non vi siano astanti, animali o oggetti che potrebbero essere danneggiati entro almeno 15 metri dal raggio di azione della macchina.

Lavorare solo alla luce del giorno, o con luce artificiale adeguata, in condizioni di buona visibilità. Cercare di non causare alcun disturbo del rumore, utilizzando questa macchina solo in orari ragionevoli della giornata.

Assumi una posizione ferma ed equilibrata. Evitare ove possibile di lavorare su terreno bagnato, sdrucciolevole o comunque su terreno irregolare o scosceso che non garantisca stabilità all'operatore o condizioni di buon funzionamento della macchina.

RISCHI RESIDUI

La macchina è stata costruita utilizzando la tecnologia moderna e in conformità con le norme di sicurezza riconosciute. Anche quando tutte le misure di sicurezza sono in atto, possono essere presenti alcuni pericoli rimanenti, che non sono ancora evidenti. L'operatore deve usare il buon senso e prendere le precauzioni necessarie per evitare il rischio dovuto ai pericoli rimanenti.

SPECIFICHE DEL PRODOTTO

USO PREVISTO

Questa macchina è progettata e prodotta per il trasferimento di acqua, ad es. in serre, frutteti, giardini. Le pompe per acqua pulita e ad alta pressione sono progettate per pompare solo acqua pulita. Le pompe chimiche sono progettate per pompare acqua pulita, base acida debole (PH 4-11) e liquidi ad alta temperatura di accensione o acqua di mare. Le pompe semi-spazzatura (acque luride) sono progettate per pompare acqua pulita o acqua contenente solidi morbidi di diametro non superiore a 25,4mm. Le pompe per rifiuti (fanghi) sono progettate per pompare acqua pulita o acqua contenente solidi di diametro non superiore a 25,4mm

fino a un grado fino al 50%.

Ogni altro utilizzo diverso da quelli sopra indicati potrebbe essere pericoloso, arrecare danno a persone e danni a cose e alla macchina stessa.

USO IMPROPRIO

La macchina non deve essere utilizzata per il pompaggio di materiali pericolosi, ad es. accumulo di prodotti infiammabili o esplosivi, braci ardenti o materiale di combustione senza fiamme, sigarette accese, vetri, oggetti appuntiti, oggetti metallici, pietre e qualsiasi altro oggetto che possa essere pericoloso per la macchina stessa nonché per l'operatore, i proprietà.

Altri esempi di uso improprio possono includere, ma non sono limitati, al funzionamento della macchina:

- ▶ Senza gli accessori originali forniti dal produttore.
- ▶ Con accessori originali ma in modo non conforme alle istruzioni.
- ▶ Senza ricambi originali.
- ▶ Con modifiche non autorizzate.
- ▶ Da più di una persona.

DATI TECNICI PAGINA 82

IDENTIFICAZIONE

GWP 40/79 PLUS (Fig. 1)

1. Tappo del serbatoio del carburante
2. Serbatoio di carburante
3. Impugnatura di avviamento
4. Leva dell'acceleratore
5. Filtro dell'aria
6. Interruttore carburante
7. Leva dello starter
8. Maniglia per il trasporto
9. Candela
10. Silenziatore
11. Tappo di adescamento della pompa
12. Porta di aspirazione (ingresso)
13. Tappo di scarico della pompa
14. Tappo di scarico dell'olio motore
15. Asta di livello olio motore
16. Porta di scarico (uscita)
17. Interruttore ON / OFF

GWP 50/209 PLUS, GWP 50/212 PRO, GWP 80/212 PRO (Fig. 2)

1. Telaio
2. Tappo di adescamento della pompa
3. Porta di scarico (uscita)
4. Interruttore ON / OFF
5. Asta di livello motore
6. Impugnatura di avviamento
7. Tappo del serbatoio del carburante
8. Filtro dell'aria
9. Silenziatore
10. Tappo di scarico dell'olio motore
11. Tappo di scarico della pompa
12. Porta di aspirazione (ingresso)
13. Serbatoio di carburante

GWP 80/212 ST PRO (Fig. 3)

1. Telaio
2. Tappo di adescamento della pompa
3. Bullone tipo T del coperchio della pompa
4. Interruttore ON / OFF
5. Asta di livello olio motore
6. Tappo di scarico dell'olio motore
7. Impugnatura di avviamento
8. Serbatoio di carburante
9. Tappo del serbatoio del carburante
10. Filtro dell'aria
11. Silenziatore
12. Tappo di scarico della pompa
13. Porta di aspirazione (ingresso)
14. Porta di scarico (uscita)

GWP 80/301 FT PRO (Fig. 4)

1. Telaio
2. Porta di scarico (uscita)
3. Interruttore ON / OFF
4. Asta di livello olio motore
5. Tappo di scarico dell'olio motore
6. Impugnatura di avviamento
7. Serbatoio di carburante
8. Tappo del serbatoio del carburante
9. Filtro dell'aria
10. Silenziatore
11. Manopola del coperchio della pompa
12. Tappo di scarico della pompa
13. Porta di aspirazione (ingresso)
14. Tappo di adescamento della pompa

GWP 50/212 H PRO,**GWP 50/389 H PRO (Fig. 5),****GWP 50/212 H2 PRO (Fig. 6)**

1. Telaio
2. Porta di scarico (uscita)
3. Interruttore ON / OFF
4. Asta di livello olio motore
5. Tappo di scarico dell'olio motore
6. Impugnatura di avviamento
7. Serbatoio di carburante
8. Tappo del serbatoio del carburante
9. Filtro dell'aria
10. Silenziatore
11. Tappo di scarico della pompa
12. Porta di aspirazione (ingresso)
13. Tappo di adescamento della pompa

GWP 50/212 CH PRO,**GWP 80/212 CH PRO (Fig. 7)**

1. Telaio
2. Tappo di adescamento della pompa
3. Interruttore ON / OFF
4. Asta di livello olio motore
5. Tappo di scarico dell'olio motore
6. Impugnatura di avviamento
7. Serbatoio di carburante
8. Tappo del serbatoio del carburante
9. Filtro dell'aria
10. Silenziatore
11. Tappo di scarico della pompa
12. Porta di aspirazione (ingresso)
13. 1 Porta di scarico (uscita)

FUNZIONAMENTO**PREOPERAZIONE**

Il disimballaggio e il completamento dell'assemblaggio devono essere effettuati su una superficie piana e stabile, con spazio sufficiente per spostare la macchina e il suo imballaggio, utilizzando sempre attrezzature adeguate. Il montaggio deve essere eseguito da personale addestrato presso il rivenditore più vicino, se necessario.

Rifornimento e lubrificazione**AVVERTIMENTO**

La macchina viene consegnata senza olio e carburante.

Questo prodotto è dotato di un motore a 4 tempi, il che significa che la benzina deve essere utilizzata nel serbatoio del carburante e il motore deve essere riempito di olio.

Specifiche del carburante: benzina senza piombo o 90 ottani o superiore.

Capacità serbatoio carburante: Fare riferimento alla "TABELLA DATI TECNICI"

Per riempire la macchina di carburante:

1. Rimuovere il tappo del serbatoio del carburante.
2. Aggiungere il carburante al livello superiore del serbatoio del carburante. Lasciare uno spazio minimo di 5 mm tra la parte superiore del carburante e il bordo interno del serbatoio per consentire l'espansione. La metà della lunghezza del filtro del tappo del serbatoio del carburante (Fig. 9) può fungere anche da segnale di livello superiore del carburante, ove disponibile.
3. Riposizionare il tappo del serbatoio del carburante e serrare adeguatamente.

AVVERTIMENTO

Utilizzare sempre contenitori puliti per conservare il carburante e non utilizzare carburante conservato per più di un mese.

Specifiche dell'olio: per uso generale (5°C - 38°C) l'olio consigliato è olio per motori a 4 tempi SAE 10W30 (Fig. 8).

Capacità olio motore: Fare riferimento alla "TABELLA DATI TECNICI"

Per riempire il motore con olio:

1. Rimuovere il tappo del bocchettone di riempimento olio (Fig. 10.1) dal bocchettone di riempimento olio motore (Fig. 10.2). La parte inferiore è l'indicatore del livello dell'olio.
2. Aggiungete gradualmente una quantità di olio sufficiente a portare il livello dell'olio al bordo del bocchettone di riempimento olio, fino al livello superiore (Fig. 10.3) e non inferiore al livello inferiore (Fig. 10.4).
3. Riposizionare il tappo del bocchettone di rifornimento dell'olio e serrarlo adeguatamente.

AVVERTIMENTO

Utilizzare un imbuto per evitare fuoriuscite di carburante o olio. Rimuovere il carburante e l'olio fuoriusciti prima di avviare il motore.

Selezione della pompa

Il modello di pompa adatto deve essere selezionato.

nato prima in base al liquido da pompare e poi in base alle esigenze specifiche della configurazione da utilizzare. Un ingegnere esperto dovrebbe essere in grado di guidarti calcolando correttamente le esigenze specifiche della configurazione per cui prevedi di utilizzare la pompa. Una volta stimati i dati di portata e prevalenza richiesti, è possibile utilizzare i grafici delle prestazioni (Fig. 25-34) per scegliere il modello di pompa più adatto.

Posizionamento delle unità

L'unità deve essere utilizzata su un terreno stabile e piano per evitare danni all'unità e per essere in grado di fornire le massime prestazioni. Idealmente la pompa dovrebbe essere posizionata vicino al livello della sorgente d'acqua e non dovresti usare tubi più lunghi del necessario per il lavoro. La lunghezza, il tipo e le dimensioni dei tubi di aspirazione e scarico possono influire in modo significativo sulle prestazioni di uscita della pompa. Notare inoltre che all'aumentare della prevalenza di aspirazione (Fig. 11.2) o di mandata (Fig. 11.3), con conseguente aumento della prevalenza totale (Fig. 11.1), le prestazioni di uscita della pompa diminuiscono. Anche la riduzione al minimo della prevalenza posizionando la pompa vicino al livello dell'acqua è molto importante per ridurre il tempo di autoadescamento.

Installazione del tubo di aspirazione

Per installare il tubo di aspirazione (Fig. 12.6) sulla porta di aspirazione della pompa (Fig. 12.1) utilizzare la guarnizione (Fig. 12.2), il connettore del tubo (Fig. 12.3), la fascetta del connettore del tubo (Fig. 12.4) e il tubo morsetto (Fig. 12.5) come mostrato in Fig. 12. Si consiglia di utilizzare un tubo di aspirazione di diametro uguale alla porta di aspirazione per evitare perdite di prestazioni dovute all'attrito dell'acqua con l'interno delle pareti del tubo o ai disturbi del flusso. Sull'altra estremità del tubo di aspirazione (Fig. 13.3) installare il filtro (Fig. 13.1) utilizzando la fascetta stringitubo (Fig. 13.2) come mostrato in Fig. 13. Il filtro aiuterà a prevenire l'ostruzione o il danneggiamento della pompa. da eventuali detriti contenuti nell'acqua da pompare.

Installazione del tubo di scarico

Per installare il tubo di scarico (Fig. 14.3) sulla porta di scarico della pompa (Fig. 14.2), utilizzare la guarnizione, il connettore del tubo, il morsetto del connettore del tubo e il morsetto del tubo (Fig. 14.2) come mostrato nella Fig. 14. Si consiglia di utilizzare un tubo di scarico di diametro uguale alla porta di scarico per evitare perdite di prestazioni dovute all'attrito dell'acqua con l'interno delle pareti del tubo o ai disturbi del flusso. Stringere saldamente la fascetta stringitubo per evitare che il tubo di scarico si scolleghi ad alta pressione.

Adescamento della pompa

L'interno del corpo pompa deve essere riempito con acqua pulita prima di avviare il motore.

AVVERTIMENTO

La pompa non deve mai essere azionata a secco

per evitare danni alle guarnizioni e alle parti rotanti della pompa a causa dell'alta temperatura e dell'attrito.

Per adescare la pompa:

1. Rimuovere il tappo di adescamento della pompa (Fig. 15.1).
2. Riempire la pompa con acqua pulita (Fig. 15.2).
3. Riposizionare il tappo di adescamento della pompa e serrarlo adeguatamente.

AVVIAMENTO DELL'UNITÀ

Prima di avviare la macchina:

1. Assicurarsi che sia la macchina che tu sia su un terreno stabile.
2. Verificare che tutti i dispositivi di fissaggio siano fissati in posizione.
3. Preparare i tubi di aspirazione e scarico e assicurarsi che siano montati correttamente.
4. Verificare che il filtro dell'aria sia pulito e che l'aspirazione e lo scarico dell'aria non siano ostruiti da materiali estranei.
5. Riempire con la quantità richiesta di olio e carburante.
6. Adescare la pompa.

Per avviare la macchina:

1. Spostare la leva della valvola del carburante (Fig. 16.1) in posizione "ON".
2. Spostare la leva dello starter (Fig. 17.1) in posizione "CHOKE".

NOTA

Questo passaggio si applica solo all'avviamento a freddo del motore. Quando il motore è già caldo o la temperatura ambiente è alta, la leva dello starter deve essere sempre in posizione "RUN".

3. Spostare l'interruttore ON / OFF in posizione "ON" (Fig. 18.1).
4. Spostare la leva dell'acceleratore (Fig. 19.1) di 1/3 verso la posizione "A" (alta velocità).
5. Afferrare saldamente la maniglia della macchina con la mano sinistra e la manopola di avviamento (Fig. 20.2) del motore con la mano destra. Tirare la manopola di avviamento finché non si avverte una resistenza per avviare il motore, quindi tirare con decisione per avviare il motore.

AVVERTIMENTO

Per evitare di rompere le fune di avviamento (Fig. 20.1), non tirarla per tutta la sua lunghezza né lasciarla scorrere lungo il bordo del foro passacavo. Rilasciare gradualmente lo starter, per evitare che voli indietro in modo incontrollato.

6. Quando il motore si riscalda, spostare gradualmente la leva dello starter in posizione "RUN", se il motore è stato avviato a freddo.

NOTA

Per le massime prestazioni e affidabilità, lasciare che il motore si riscaldi prima di utilizzarlo a pieno carico, facendolo funzionare per due o tre minuti al minimo.

7. Dopo che il motore si è riscaldato, spostare la leva dell'acceleratore in posizione "A" (alta velocità) per l'autoadescamento e controllare l'uscita della pompa.

FUNZIONAMENTO DELL'UNITÀ

Leva dell'acceleratore

Il flusso di uscita è controllato regolando la velocità del motore spostando la leva dell'acceleratore tra le posizioni "A" (alta velocità) e "B" (bassa velocità). Aumentando la velocità del motore, aumenta il flusso di uscita della pompa. Diminuendo la velocità del motore, diminuisce il flusso di uscita della pompa.

ARRESTO DELL'UNITÀ

Per fermare la macchina:

1. Abbassare la velocità del motore spostando la leva dell'acceleratore in posizione "B" (bassa velocità).
2. Spostare l'interruttore ON / OFF in posizione "OFF" (Fig. 18.2).
3. Spostare la leva della valvola del carburante in posizione "OFF".
4. Rimuovere il tappo di scarico della pompa e drenare la camera del corpo della pompa a secco.
5. Rimuovere il tappo di adescamento della pompa e lavare la camera del corpo della pompa con acqua pulita per rimuovere eventuali residui di acqua pompata o materiali estranei che potrebbero danneggiare la pompa.
6. Consentire a tutta l'acqua di defluire dalla camera del corpo della pompa.
7. Riposizionare il tappo di adescamento della pompa e il tappo di scarico della pompa in posizione e serrare adeguatamente.

MANUTENZIONE E PULIZIA

AVVERTIMENTO

Non eseguire mai la manutenzione o la pulizia con l'unità in funzione. Lavorare sempre su un'unità fresca. Prima di pulire o eseguire lavori di manutenzione, scollegare il cappuccio della candela e leggere le relative istruzioni. Indossare sempre indumenti adeguati e guanti protettivi ogni volta che le mani sono a rischio.

Qualsiasi operazione di regolazione o manutenzione non descritta in questo manuale deve essere eseguita dal Rivenditore o da un Centro di Assistenza specializzato con le conoscenze e le attrezzature necessarie per garantire che il lavoro venga svolto correttamente mantenendo il livello di sicurezza originale della macchina. Qualsiasi operazione eseguita in centri non autorizzati o da persone non qualificate invaliderà totalmente la Garanzia e tutti gli obblighi e responsabilità del Fabbricante.

Tenere serrati tutti i dadi e le viti per assicurarsi che la macchina sia sempre in condizioni di lavoro sicure. La manutenzione ordinaria è essenziale per la sicurezza e per mantenere un alto livello di prestazioni.

AVVERTIMENTO

Non utilizzare mai la macchina con parti usurate o danneggiate. Le parti difettose o usurate devono essere sempre sostituite e non riparate. Utilizzare solo ricambi originali.

PROGRAMMA DI MANUTENZIONE

Elementi		Frequenza				
		Before each use	Dopo il 1° mese o le prime 20 ore di funzionamento	Ogni 3 mesi o 50 ore di funzionamento	Ogni 12 mesi o 100 ore di funzionamento	Ogni 24 mesi o 250 ore di funzionamento
Unità completa	Ispezione visuale	✓				
Maniglie di controllo	Controllare il funzionamento	✓				
Parascintille (se disponibile)	Dai un'occhiata			✓*		
Eolio motore	Controllare - Riempire	✓				
	Sostituire		✓	✓		
Filtro dell'aria	Dai un'occhiata	✓				
	Pulito		✓			
	Sostituire			✓		
Candela	Verifica - Regola		✓		✓*	
Linea del carburante e filtrare	Verifica - Regola **				✓*	
Serbatoio di carburante	Verifica - Regola **					✓*
Bicchieri da deposito (se disponibile)	Pulito		✓	✓		
Gioco delle valvole	Verifica - Regola**				✓	
Camera di combustione	Verifica - Regola **					✓*

* Questi elementi devono essere sostituiti se necessario.

** Queste operazioni devono essere eseguite solo da un rivenditore autorizzato, che dispone degli strumenti adeguati e della competenza meccanica richiesta.

OLIO MOTORE

AVVERTIMENTO

Il controllo del livello e il cambio dell'olio devono essere eseguiti su un terreno solido e piano. Il motore deve essere sempre spento. Se il motore era in funzione, sarà caldo e la procedura deve essere eseguita con cura e le necessarie precauzioni per evitare il pericolo di ustioni.

NOTA

Scaricare l'olio usato mentre il motore è caldo. L'olio caldo drena rapidamente e completamente.

Per controllare il livello dell'olio:

1. Rimuovere il tappo del bocchettone di riempimento olio (Fig. 21.6) dal bocchettone di riempimento olio motore (Fig. 21.1).

- Controllare il livello dell'olio. Il livello dell'olio dovrebbe raggiungere il labbro (Fig. 21.7) del bocchettone di riempimento dell'olio. Se necessario, aggiungere olio sufficiente per portare il livello dell'olio al bordo del bocchettone di riempimento olio, fino al livello superiore (Fig. 10.3) e non inferiore al livello inferiore (Fig. 10.4).
- Riposizionare il tappo del bocchettone di rifornimento dell'olio e serrarlo adeguatamente.

Per cambiare l'olio:

- Rimuovere il tappo del bocchettone di riempimento dell'olio dal bocchettone di riempimento dell'olio motore.
- Posizionare un contenitore adatto (Fig. 21.3) sotto il foro di scarico dell'olio (Fig. 21.2) per raccogliere l'olio esausto.
- Rimuovere il tappo di scarico dell'olio (Fig. 21.4) e la rondella (Fig. 21.5) per consentire il completo drenaggio dell'olio.
- Riposizionare il tappo di scarico dell'olio con la relativa rondella e serrare adeguatamente.
- Aggiungete gradualmente una quantità di olio sufficiente a portare il livello dell'olio al bordo del bocchettone di riempimento olio, fino al livello superiore (Fig. 10.3) e non inferiore al livello inferiore (Fig. 10.4).
- Riposizionare il tappo del bocchettone di rifornimento dell'olio e serrarlo adeguatamente.

NOTA

Se il motore funziona spesso in condizioni estremamente polverose o in altre circostanze gravi, cambiare l'olio motore ogni 25 ore.

AVVERTIMENTO

Il funzionamento del motore ridurrà il livello dell'olio causando danni al motore.

FILTRO DELL'ARIA

AVVERTIMENTO

Il funzionamento del motore senza filtro dell'aria o con un filtro dell'aria danneggiato consentirà alla sporcizia di entrare nel motore, causando una rapida usura del motore.

Per controllare, pulire o sostituire il filtro dell'aria:

- Rimuovere il coperchio del filtro dell'aria (Fig. 22.1).
- Verificare che l'elemento del filtro dell'aria (Fig. 22.2) sia libero da sporco e in buone condizioni. Se è sporco, rimuoverlo e pulirlo.
 - Per pulire un elemento del filtro dell'aria in schiuma, lavarlo con detergente domestico e acqua calda e lasciarlo asciugare. Quindi immergerlo in olio motore saturo pulito e strizzare delicatamente l'olio in eccesso. Se necessario, sostituirlo con uno nuovo.
 - Per pulire un elemento del filtro dell'aria in carta, pulire lo sporco leggero picchiettandolo delicatamente alcune volte su una superficie dura e sostituirlo se è presente sporco pesante.
- Pulire l'interno della scatola del filtro dell'aria e del coperchio dallo sporco con un panno morbido. Se il motore è dotato di un filtro dell'aria a bagno d'olio, sostituire l'olio con olio motore nuovo.
- Reinstallare l'elemento del filtro dell'aria e seguire la procedura inversa per rimettere in posizione il coperchio del filtro dell'aria.

AVVERTIMENTO

Non pulire mai il filtro dell'aria con detergenti infiammabili o a basso punto di infiammabilità per evitare il rischio di incendio o esplosione.

NOTA

Se il motore funziona spesso in presenza di polvere o in altre circostanze gravi, pulire il filtro dell'aria ogni 10 ore e aggiungere l'olio per sostituire il nuovo. Se necessario, cambiare l'elemento del filtro dell'aria ogni 25 ore.

CANDELA

Per la manutenzione della candela (Fig. 23.4):

- Rimuovere il cappuccio della candela (Fig. 23.1) per accedere alla candela (Fig. 23.2).
- Utilizzare uno strumento per candele appropriato (Fig. 23.3) per rimuovere con cautela la candela.
- Controllare le condizioni della candela e del suo elettrodo. Deve essere pulito e non indossato. Verificare che la distanza tra gli elettrodi della candela sia compresa tra 0,7 e 0,8 mm. Sostituire la candela con una nuova, se necessario.
- Inserire con cautela la candela nel motore a mano.
- Una volta filettata, utilizzare l'apposito attrezzo per candele per serrare la candela, facendo attenzione a non usare una forza eccessiva che danneggi le filettature.
- Riattaccare il cappuccio della candela.

AVVERTIMENTO

Non permettere mai che sporcizia o detriti entrino nel foro del cilindro. Prima di rimuovere la candela, pulire accuratamente la candela e l'area della testata.

COPPA SEDIMENTI CARBURANTE

AVVERTIMENTO

Mantenere il carburatore del carburante solo all'aperto e in aree ben ventilate. Assicurarsi di raccogliere il carburante scaricato in un contenitore appropriato e pulire il carburante fuoriuscito.

Per mantenere la coppa dei sedimenti del carburante:

- Ruotare la valvola del carburante (Fig. 24.1) in posizione "OFF".
- Rimuovere la coppa sedimenti carburante del carburatore (Fig. 24.3) con il suo anello di tenuta in gomma (Fig. 24.2).
- Lavare le parti rimosse in solvente, asciugarle accuratamente.

AVVERTIMENTO

Non pulire mai la vaschetta dei sedimenti del carburante con detergenti infiammabili o a basso punto di infiammabilità per evitare il rischio di incendio o esplosione.

- Se necessario, sostituire l'anello di tenuta in gomma con uno nuovo.
- Reinstallare l'anello di tenuta in gomma e la tassa di sedimenti e fissarli in posizione.
- Girare la valvola del carburante in posizione "ON" e controllare eventuali perdite di carburante.

FILTRO DEL CARBURANTE

Il serbatoio del carburante può essere dotato di un filtro, a seconda del modello di timone, situato sul tappo del serbatoio del carburante. Il filtro del carburante può essere estratto e deve essere controllato periodicamente. Se il filtro è sporco, pulirlo e sostituirlo con uno nuovo quando necessario. Nel caso in cui l'interno del serbatoio del carburante sia sporco, può essere pulito risciacquando il serbatoio del carburante con benzina pulita.

PULIZIA

Utilizzare una piccola spazzola morbida per pulire l'esterno dell'unità. Non utilizzare detergenti aggressivi. I detergenti per la casa che contengono oli aromatici come pino e limone e solventi come il cherosene possono danneggiare l'involucro o il manico in plastica. Rimuovere l'umidità con un panno morbido. I denti e i paraurti possono essere puliti con acqua utilizzando un tubo da giardino.

CONSERVAZIONE AVVERTIMENTO

Non conservare mai l'unità con il carburante nel serbatoio e lasciare sempre raffreddare l'unità prima di riporla. Conservare l'unità solo in aree asciutte e ben ventilate.

Nel caso in cui l'unità venga conservata per un periodo di tempo prolungato, utilizzare la seguente procedura di conservazione:

1. Scaricare tutto il carburante dal serbatoio del carburante.
2. Portare la valvola del carburante in posizione "OFF". Rimuovere il tappo di scarico del carburatore (Fig. 24.4) e la rondella (Fig. 24.5). Assicurarsi di raccogliere il carburante scaricato in un contenitore appropriato e pulire il carburante fuoriuscito. Ciò garantisce che tutto il carburante sia stato scaricato dal carburatore.
3. Sostituire l'olio motore con uno nuovo.
4. Sostituire l'olio del filtro dell'aria con uno nuovo, se il filtro dell'aria è del tipo a bagno d'olio.
5. Rimuovere la candela e mettere 30 ml di olio motore di alta qualità nel cilindro. Tirare lentamente la fune di avviamento per distribuire l'olio, quindi reinstallare la candela.
6. Pulire accuratamente l'unità e ispezionare eventuali parti allentate o danneggiate. Riparare o sostituire le parti danneggiate e serrare viti, dadi o bulloni allentati.
7. Lubrificare tutte le parti necessarie con un panno umido d'olio per evitare la formazione di ruggine.

PROTEZIONE AMBIENTALE

Ricicla le materie prime invece di smaltirle come rifiuti. La macchina, gli accessori e l'imballaggio devono essere selezionati per il riciclaggio rispettoso dell'ambiente. I componenti in plastica sono etichettati per il riciclaggio classificato.

Smaltire l'olio motore usato e i contenitori in modo compatibile con l'ambiente. Ti suggeriamo di portarlo in un contenitore sigillato al tuo cen-

tro di riciclaggio locale o stazione di servizio per il recupero. Non gettarlo nella spazzatura, non versarlo a terra o versarlo in uno scarico.

GARANZIA

Questo prodotto è garantito in conformità con le normative legali / specifiche del paese, in vigore dalla data di acquisto da parte del primo utente. I danni imputabili alla normale usura, sovraccarico o uso improprio saranno esclusi dalla garanzia. In caso di reclamo, inviare la macchina, completamente assemblata, al proprio rivenditore o al centro di assistenza ufficiale.

ΕΛΛΗΝΙΚΑ

ΓΕΝΙΚΕΣ ΠΡΟΕΙΔΟΠΟΙΗΣΕΙΣ ΑΣΦΑΛΕΙΑ- ΣΕ ENGLISH

Διαβάστε και κατανοήστε αυτό το εγχειρίδιο κατόχου προτού θέσετε σε λειτουργία το παρόν μηχανήμα. Μπορείτε να αποφύγετε ατυχήματα αν είστε εξοικειωμένοι με τα χειριστήρια του προϊόντος και τηρώντας τις ασφαλείς διαδικασίες λειτουργίας και τα σχέδια ασφαλείας. Χρησιμοποιείτε πάντα κοινή λογική σκέψη ώστε να αποφύγετε να βρεθείτε σε κατάσταση πέρα των δυνατοτήτων σας. Μη χρησιμοποιείτε το προϊόν όταν είστε κουρασμένοι ή υπό την επήρεια ναρκωτικών, αλκοόλ ή άλλων φαρμακευτικών σκευασμάτων. Κρατείστε παρειακό μπουκάλι νερό ή ζώα που θα μπορούσαν να τραυματιστούν, όπως και αντικείμενα που στα οποία θα μπορούσε να προκληθεί βλάβη, μακριά κατά τη λειτουργία του μηχανήματος. Μην επιτρέπετε σε παιδιά ή όσους δεν είναι εξοικειωμένοι με τις οδηγίες χρήσης να χρησιμοποιήσουν το μηχανήμα. Η τοπική νομοθεσία είναι πιθανόν να ορίζει κατώτατη ηλικία χρήστη. Πάντα να θυμάστε πως ο χειριστής ή χρήστης είναι υπεύθυνος για ατυχήματα ή απρόσμενα γεγονότα που τυχόν προκληθούν σε άλλους ανθρώπους, ζώα ή την περιουσία τους. Μην εκθέτετε το προϊόν σε υπερβολική υγρασία, σκόνη, βρωμιά ή διαβρωτικούς ατμούς. Μην προσαρμόζετε στο μηχανήμα εξοπλισμό ή αξεσουάρ που μη εγκριμένα από τον κατασκευαστή. Ποτέ μην επικειρήσετε να τροποποιήσετε το προϊόν. Μη εξουσιοδοτημένες τροποποιήσεις ή αξεσουάρ μπορεί να οδηγήσουν σε σοβαρό τραυματισμό ή θάνατο του χειριστή ή άλλων. Συμβουλευτείτε τον εξουσιοδοτημένο αντιπρόσωπό σας για απουναρμολόγηση και επισκευή, που δεν καλύπτεται σε αυτό το εγχειρίδιο. Εάν κάτι σπάσει ή συμβεί ατύχημα κατά τη διάρκεια της εργασίας, απενεργοποιήστε αμέσως το μηχανήμα και μετακινήστε το για να αποφύγετε περαιτέρω ζημιές. Σε περίπτωση που ένα ξένο σώμα εισέλθει στο μηχανήμα, σταματήστε το αμέσως, επιθεωρήστε το για τυχόν ζημιές και πραγματοποιήστε επισκευές προτού το ξαναρχίσετε.

ΠΡΟΣΤΑΤΕΥΤΙΚΟΣ ΕΞΟΠΛΙΣΜΟΣ

Να χρησιμοποιείτε πάντα σχετικό και εγκριμένο προστατευτικό εξοπλισμό όταν χρησιμοποιείτε το μηχανήμα. Να φοράτε πάντα ροκισμό που δεν περιορίζει τις κινήσεις σας, προστατευτικά γάντια, γυαλιά, μάσκα αναπνοής, προστατευτικό εξοπλισμό ακοής και μπότες προστασίας με σόλες υψηλής πρόσφυσης. Να μην φοράτε κασκόλ, κολιέ ή οποιαδήποτε αξεσουάρ που κρέμεται ή περιστρέφεται και θα μπορούσε να παγιδευτεί στο μηχανήμα. Μαζέψτε τα μαλλιά σας αν είναι μακριά.

ΚΙΝΔΥΝΟΙ ΔΗΛΗΤΗΡΙΑΣΗΣ

Λειτουργείτε μόνο σε εξωτερικούς και καλά αεριζόμενους χώρους. Όταν λειτουργεί ο κινητήρας, παράγει δηλητηριώδες μονοξείδιο του άνθρακα, ένα άοσμο και άχρωμο αέριο. Η εισπνοή μονοξεί-

δίου του άνθρακα θα προκαλέσει ναυτία, λιποθυμία ή θάνατο. Μην λειτουργείτε το μηχανήμα σε περιορισμένο χώρο όπου μπορεί να αναπτυχθούν επικίνδυνοι καπνοί μονοξειδίου του άνθρακα ή κοντά σε ανοικτά παράθυρα.

Το καύσιμο και το λάδι είναι εξαιρετικά τοξικά. Μην εισπνέετε τις αναθυμιάσεις εξάτμισης του καυσίμου και να φοράτε πάντα κατάλληλο προστατευτικό εξοπλισμό όταν χειρίζεστε. Να αποθηκεύετε πάντα καύσιμο και λάδι σε εγκεκριμένα δοχεία και να απορρίπτετε υπεύθυνα.

ΚΙΝΔΥΝΟΙ ΠΡΟΚΛΗΣΗΣ ΠΥΡΚΑΓΙΑΣ ΚΑΙ ΕΓΚΑΥΜΑΤΟΣ

Ορισμένα μέρη του μηχανήματος θερμαίνονται αρκετά ώστε να αναφλέξουν εύφλεκτα υλικά. Μην το χρησιμοποιείτε σε περιοχές με υψηλό κίνδυνο πυρκαγιάς. Μην κατευθύνετε την έξοδο της εξάτμισης και, ως εκ τούτου, τα καυσάγια προς εύφλεκτα υλικά.

Ορισμένα μέρη του μηχανήματος ζεσταίνονται αρκετά ώστε να προκαλέσουν εγκαύματα. Προσέξτε να μην τα αγγίξετε για να αποφύγετε να καείτε. Αφήστε το μηχανήμα να κρυώσει πριν το αποθηκεύσετε.

Το καύσιμο και το λάδι είναι εύφλεκτα. Ακολουθήστε τις οδηγίες που παρέχονται από κάθε κατασκευαστή πριν από τη χρήση. Διατηρείτε πάντα μακριά πιθανές πηγές φωτιάς ή σπινθήρες. Μην καπνίζετε κοντά στο μηχανήμα ή κοντά σε καύσιμο και λάδι. Να ανεφοδιάζετε μόνο σε εξωτερικούς, καλά αεριζόμενους χώρους, με τον κινητήρα σβηστό. Ανοίξτε αργά το ρεζερβουάρ καυσίμου για να επιτρέψετε στην πίεση στο εσωτερικό να μειωθεί σταδιακά. Μην γεμίζετε υπερβολικά το ρεζερβουάρ καυσίμου. Βεβαιωθείτε ότι υπάρχει κάποια απόσταση μεταξύ οποιουδήποτε δοχείου αναπλήρωσης καυσίμου και της μονάδας, για να αποφύγετε περριττους κινδύνους. Βεβαιωθείτε ότι έχετε καθαρίσει τυχόν χυμένους καύσιμο και λάδι πριν ξεκινήσετε τον κινητήρα. Σε περίπτωση πυρκαγιάς, χρησιμοποιήστε έναν κατάλληλο πυροσβεστήρα ειδικά σχεδιασμένο για φωτιά λαδιού και καυσίμου.

ΠΡΟΕΙΔΟΠΟΙΗΣΕΙΣ ΑΣΦΑΛΕΙΑΣ ΚΑΤΗΓΟΡΙΑΣ

ΑΣΦΑΛΗΣ ΛΕΙΤΟΥΡΓΙΑ

Όλοι οι μοχλοί λειτουργίας του μηχανήματος πρέπει να μετακινούνται εύκολα μεταξύ των θέσεών τους και να μη χρειάζεται πίεση. Οι μοχλοί λειτουργίας του συμπλέκτη και της όπισθεν (όπου διατίθεται) πρέπει να επιστρέφουν αυτόματα και άμεσα στην ουδέτερη θέση τους. Τα ηλεκτρικά καλώδια και ειδικά το καλώδιο του μπουζί πρέπει να είναι σε άριστη κατάσταση για αποφυγή σπινθήρων και το η πίνα του μπουζί πρέπει να είναι ορθά τοποθετημένη στο μπουζί. Οι χειρολαβές και οι προσατήσεις του μηχανήματος πρέπει να είναι καθαρές, στεγνές και επαρκώς σφιγμένες στις θέσεις τους στο μηχανήμα.

Πάντα να ελέγχετε για αντικείμενα που ενδέχεται να μπλοκάρουν την εισαγωγή αέρα πριν αρχίσετε να εργάζεστε. Μια φραγμένη εισαγωγή αέρα

μειώνει την απόδοση του μηχανήματος και αυξάνει τη θερμοκρασία λειτουργίας του κινητήρα, η οποία μπορεί να οδηγήσει σε βλάβη του κινητήρα.

Βεβαιωθείτε ότι έχετε σταματήσει τον κινητήρα:

- ▶ Όταν προσαρμόζετε ή αφαιρείτε αξεσουάρ.
- ▶ Όταν μετακινείτε μεταξύ θέσεων εργασίας ή πάνω από διαδρόμους και εμπόδια στο έδαφος.
- ▶ Όποτε αφήνετε το μηχάνημα χωρίς επίβλεψη.
- ▶ Κατά τον ανεφοδιασμό.
- ▶ Κατά τον καθαρισμό ή τη συντήρηση.
- ▶ Κατά την μεταφορά.
- ▶ Πριν την αποθήκευση.

ΚΙΝΔΥΝΟΙ ΠΕΡΙΣΤΡΕΦΟΜΕΝΩΝ ΜΕΡΩΝ

Τα περιστρεφόμενα μέρη μπορεί να προκαλέσουν σοβαρό τραυματισμό. Αποφύγετε να έρθετε σε επαφή με τα περιστρεφόμενα μέρη όταν βρίσκονται ακόμη σε περιστροφή. Ποτέ μην βάζετε τα χέρια ή τα πόδια σας μέσα στο σώμα της αντλίας ενώ ο κινητήρας λειτουργεί. Μην λειτουργείτε ποτέ τον κινητήρα με αποσυναρμολογημένο το σώμα της αντλίας.

ΚΙΝΔΥΝΟΙ ΘΟΡΥΒΟΥ ΚΑΙ ΔΟΝΗΣΕΩΝ

Τα επίπεδα θορύβου και δονήσεων που αναφέρονται στις οδηγίες χρήσης είναι τα μέγιστα για τη χρήση του μηχανήματος. Μη επαρκής συντήρηση έχει σημαντικό αντίκτυπο στις εκπεμπόμενες δονήσεις και στο θόρυβο. Επομένως, είναι απαραίτητο να λαμβάνετε προληπτικά μέτρα για να εξαλείψετε πιθανό κίνδυνο λόγω υψηλού επιπέδου δονήσης ή θορύβου. Να διατηρείται το μηχανήμα σε καλή κατάσταση, να φοράτε προστασία ακοής, γάντια προστασίας από τις δονήσεις και να κάνετε διαλείμματα κατά την εργασία. Κατά τη διάρκεια μιας μέρας εργασίας, θα πρέπει να κάνετε συχνά και επαρκή διαλείμματα για να αποφύγετε τυχόν ζημιά λόγω δονήσεων και βλάβη ακοής.

ΚΙΝΔΥΝΟΙ ΣΧΕΤΙΚΟΙ ΜΕ ΤΗΝ ΠΕΡΙΟΧΗ ΕΡΓΑΣΙΑΣ

Επιθεωρήστε διεξοδικά ολόκληρο το χώρο εργασίας και αφαιρέστε οτιδήποτε μπορεί να εκτοξευτεί από το μηχάνημα, να αποτελέσει πηγή κινδύνου ή να προκαλέσει βλάβη στο μηχάνημα (πέτρες, κλαδιά, σύρμα, κόκκαλα, κτλ.). Ελέγξτε ότι δεν υπάρχουν παρευρισκόμενοι, κατοικίδια ζώα ή αντικείμενα που θα μπορούσαν να υποστούν ζημιά σε απόσταση τουλάχιστον 15m του εύρους εργασίας του μηχανήματος.

Εργαστείτε μόνο κατά τη διάρκεια της ημέρας ή με καλό τεχνητό φως σε καλές συνθήκες ορατότητας. Προσπαθήστε να μην προκαλέσετε αναταραχή λόγω θορύβου, χρησιμοποιώντας το μηχάνημα μόνο σε λογικές ώρες της ημέρας.

Διατηρείτε γερή και καλής ισορροπίας θέση εργασίας. Όπου είναι δυνατόν, αποφύγετε να εργάζεστε σε υγρό, ολισθηρό έδαφος ή σε κάθε περίπτωση σε ανώμαλο ή απότομο έδαφος που δεν εγγυάται σταθερότητα για τον χειριστή.

ΕΝΑΠΟΜΕΙΝΑΝΤΕΣ ΚΙΝΔΥΝΟΙ

Το μηχάνημα κατασκευάστηκε χρησιμοποιώντας σύγχρονη τεχνολογία και σύμφωνα με αναγνωρισμένους κανόνες ασφαλείας. Ακόμη και όταν

εφαρμόζονται όλα τα μέτρα ασφαλείας, ενδέχεται να υπάρχουν ορισμένοι εναπομείναντες κίνδυνοι, οι οποίοι δεν είναι ακόμη εμφανείς. Ο χειριστής πρέπει να χρησιμοποιεί την κοινή λογική και να λαμβάνει τις απαραίτητες προφυλάξεις για να αποφύγει τον κίνδυνο λόγω τυχόν εναπομεινάντων κινδύνων.

ΠΡΟΔΙΑΓΡΑΦΕΣ ΠΡΟΪΟΤΟΣ

ΠΡΟΒΛΕΠΟΜΕΝΗ ΧΡΗΣΗ

Το παρόν μηχάνημα έχει σχεδιαστεί και κατασκευαστεί για μεταφορά νερού π.χ. σε θερμοκήπια, οπωρώνες, κήπους. Οι αντλίες καθαρού νερού και υψηλής πίεσης έχουν σχεδιαστεί για άντληση μόνο καθαρού νερού. Οι χημικές αντλίες έχουν σχεδιαστεί για άντληση καθαρού νερού (PH 4-11) και υγρών υψηλής θερμοκρασίας ανάφλεξης ή θαλασσινού νερού. Οι αντλίες ημι-ακαθάρτων (λύματα) έχουν σχεδιαστεί για άντληση καθαρού νερού ή νερού που περιέχει μαλακά στερεά διαμέτρου όχι μεγαλύτερη από 25,4 mm. Οι αντλίες ακαθάρτων (λάσπης) έχουν σχεδιαστεί για άντληση καθαρού νερού ή νερού που περιέχει στερεά διαμέτρου όχι μεγαλύτερη από 25,4mm σε βαθμό έως 50%. Κάθε διαφορετική χρήση από τις παραπάνω αναφερόμενες θα μπορούσε να είναι επικίνδυνη, να προκαλέσει βλάβη σε ανθρώπους ή/και ζημιά σε υλικά και το μηχάνημα.

ΜΗ ΠΡΟΒΛΕΠΟΜΕΝΗ ΧΡΗΣΗ

Το μηχάνημα δεν πρέπει να χρησιμοποιηθεί για να φρεζάρετε επιβλαβή υλικά, πχ. εύφλεκτα ή εκρηκτικά είδη, καυτές κόβολες ή υλικά καύσης χωρίς φλόγα, αναμμένα τσιγάρα, κομμάτια γυαλιού, μεταλλικά αντικείμενα, πέτρες και τυχόν άλλα αντικείμενα που θα μπορούσαν να είναι επικίνδυνα για το μηχάνημα καθώς και για τον χειριστή, παρευρισκόμενους, ζώα ή περιουσίες.

Άλλα παραδείγματα μη προβλεπόμενης χρήσης μπορεί να περιλαμβάνουν, αλλά δεν περιορίζονται στη χρήση του μηχανήματος:

- ▶ Χωρίς γνήσια εξαρτήματα που παρέχονται από τον κατασκευαστή.
- ▶ Με γνήσια εξαρτήματα αλλά με τρόπο που δεν είναι σύμφωνος με τις οδηγίες.
- ▶ Χωρίς γνήσια ανταλλακτικά.
- ▶ Με μη εξουσιοδοτημένες τροποποιήσεις.
- ▶ Από περισσότερα από ένα άτομα.

ΤΕΧΝΙΚΑ ΧΑΡΑΚΤΗΡΙΣΤΙΚΑ ΣΕΛΙΔΑ 84

ΤΑΥΤΟΠΟΙΗΣΗ ΜΕΡΩΝ

GWP 40/79 PLUS (Εικ. 1)

1. Τάπα δοχείου καυσίμου
2. Δοχείο καυσίμου
3. Λαβή χειρόμυζας
4. Μοχλός στροφών λειτουργίας
5. Φίλτρο αέρα
6. Διακόπτης καυσίμου
7. Μοχλός τσοκ
8. Λαβή μεταφοράς
9. Μπουζί

10. Εξάτμιση
11. Τάπα προπλήρωσης αντλίας
12. Στόμιο αναρρόφησης (εσοδος)
13. Τάπα αποστράγγισης αντλίας
14. Τάπα αποστράγγισης λαδιού κινητήρα
15. Ένδειξη στάθμης λαδιού κινητήρα
16. Στόμιο εξαγωγής (έξοδος)
17. Διακόπτης ON/OFF

GWP 50/209 PLUS, GWP 50/212 PRO, GWP 80/212 PRO (Εικ. 2)

1. Πλαίσιο
2. Τάπα προπλήρωσης αντλίας
3. Στόμιο εξαγωγής (έξοδος)
4. Διακόπτης ON/OFF
5. Ένδειξη στάθμης λαδιού κινητήρα
6. Λαβή χειρόμιζας
7. Τάπα δοχείου καυσίμου
8. Φίλτρο αέρα
9. Εξάτμιση
10. Τάπα αποστράγγισης λαδιού κινητήρα
11. Τάπα αποστράγγισης αντλίας
12. Στόμιο αναρρόφησης (εσοδος)
13. Δοχείο καυσίμου

GWP 80/212 ST PRO (Εικ. 3)

1. Πλαίσιο
2. Τάπα προπλήρωσης αντλίας
3. Βίδα καλύμματος αντλίας τύπου Ta
4. Διακόπτης ON/OFF
5. Ένδειξη στάθμης λαδιού κινητήρα
6. Τάπα αποστράγγισης λαδιού κινητήρα
7. Λαβή χειρόμιζας
8. Δοχείο καυσίμου
9. Τάπα δοχείου καυσίμου
10. Φίλτρο αέρα
11. Εξάτμιση
12. Τάπα αποστράγγισης αντλίας
13. Στόμιο αναρρόφησης (εσοδος)
14. Στόμιο εξαγωγής (έξοδος)

GWP 80/301 FT PRO (Εικ. 4)

1. Πλαίσιο
2. Στόμιο εξαγωγής (έξοδος)
3. Διακόπτης ON/OFF
4. Ένδειξη στάθμης λαδιού κινητήρα
5. Τάπα αποστράγγισης λαδιού κινητήρα
6. Λαβή χειρόμιζας
7. Δοχείο καυσίμου
8. Τάπα δοχείου καυσίμου
9. Φίλτρο αέρα
10. Εξάτμιση
11. Βίδα καλύμματος αντλίας
12. Τάπα αποστράγγισης αντλίας
13. Στόμιο αναρρόφησης (εσοδος)
14. Τάπα προπλήρωσης αντλίας

GWP 50/212 H PRO, GWP 50/389 H PRO (Εικ. 5), GWP 50/212 H2 PRO (Εικ. 6)

1. Πλαίσιο
2. Στόμιο εξαγωγής (έξοδος)
3. Διακόπτης ON/OFF
4. Ένδειξη στάθμης λαδιού κινητήρα
5. Τάπα αποστράγγισης λαδιού κινητήρα
6. Λαβή χειρόμιζας
7. Δοχείο καυσίμου
8. Τάπα δοχείου καυσίμου
9. Φίλτρο αέρα
10. Εξάτμιση
11. Τάπα αποστράγγισης αντλίας
12. Στόμιο αναρρόφησης (εσοδος)
13. Τάπα προπλήρωσης αντλίας

GWP 50/212 CH PRO, GWP 80/212 CH PRO (Εικ. 7)

1. Πλαίσιο
2. Τάπα προπλήρωσης αντλίας
3. Διακόπτης ON/OFF
4. Ένδειξη στάθμης λαδιού κινητήρα
5. Τάπα αποστράγγισης λαδιού κινητήρα
6. Λαβή χειρόμιζας
7. Δοχείο καυσίμου
8. Τάπα δοχείου καυσίμου
9. Φίλτρο αέρα
10. Εξάτμιση
11. Τάπα αποστράγγισης αντλίας
12. Στόμιο αναρρόφησης (εσοδος)
13. Στόμιο εξαγωγής (έξοδος)

ΛΕΙΤΟΥΡΓΙΑ

ΠΡΟΕΤΟΙΜΑΖΟΝΤΑΣ ΤΟ ΜΗΧΑΝΗΜΑ

Η αποσυσκευασία και η συναρμολόγηση πρέπει να γίνονται σε επίπεδη και σταθερή επιφάνεια, με επαρκή χώρο για τη μετακίνηση του μηχανήματος και της συσκευασίας του και με τη χρήση κατάλληλου εξοπλισμού. Η συναρμολόγηση θα πρέπει να γίνεται από εκπαιδευμένο προσωπικό στον κοντινότερο σε εσάς αντιπρόσωπο, όπου απαιτείται.

Πλήρωση καυσίμου και λιπαντικού ΠΡΟΕΙΔΟΠΟΙΗΣΗ

Το μηχανήμα παραδίδεται χωρίς λάδι και καύσιμο.

Το παρόν προϊόν είναι εξοπλισμένο με 4-χρονο κινητήρα που σημαίνει πως πρέπει να χρησιμοποιηθεί βενζίνη στο δοχείο καυσίμου και πως ο κινητήρας πρέπει να γεμίσει με λάδι.

Προδιαγραφές καυσίμου: Αμόλυβδη βενζίνη 90 και πλέον οκτανίων

Χωρητικότητα δοχείου καυσίμου: Όπως αναφέρεται στο "ΠΙΝΑΚΑΣ ΤΕΧΝΙΚΩΝ ΧΑΡΑΚΤΗΡΙΣΤΙΚΩΝ"

Για να γεμίσετε τον κινητήρα με καύσιμο:

1. Αφαιρέστε την τάπα του δοχείου καυσίμου.
2. Προσθέστε καύσιμο μέχρι το άνω επίπεδο του ρεζερβουάρ καυσίμου. Αφήστε τουλάχιστον 5mm χώρο μεταξύ της κορυφής του καυσίμου και του εσωτερικού άκρου του ρεζερβουάρ για να επιτρέψετε τυχόν διαστολή. Το μισό μήκος του φίλτρου της τάπας καυσίμου (Εικ. 9) μπορεί επίσης να λειτουργήσει ως ένδειξη ανώτατης στάθμης καυσίμου, όπου υπάρχει.

3. Τοποθετήστε την τάπα του δοχείου καυσίμου πίσω στη θέση της και σφίξτε επαρκώς.

ΠΡΟΕΙΔΟΠΟΙΗΣΗ

Να χρησιμοποιείτε πάντοτε καθαρό δοχείο για την αποθήκευση επιπλέον καυσίμου και να μη χρησιμοποιείτε καύσιμο που έχει αποθηκευτεί για περισσότερο του ενός μηνός.

Προδιαγραφές λαδιού: Για γενική χρήση (5°C - 38°C) συνιστάται να χρησιμοποιείτε λάδι SAE 15W-30 (Εικ. 8).

Χωρητικότητα κινητήρα σε λάδι: Όπως αναφέρεται στο "ΠΙΝΑΚΑΣ ΤΕΧΝΙΚΩΝ ΧΑΡΑΚΤΗΡΙΣΤΙΚΩΝ"

Για να γεμίσετε τον κινητήρα με λάδι:

1. Αφαιρέστε την τάπα πλήρωσης λαδιού (Εικ. 10.1) από το λαίμο πλήρωσης λαδιού κινητήρα (Εικ. 10.2). Το κάτω μέρος της είναι ο δείκτης στάθμης λαδιού.
2. Προσθέστε σταδιακά αρκετό λάδι για να φέρετε τη στάθμη λαδιού στο χείλος του λαίμου πλήρωσης λαδιού, μέχρι το ανώτερο επίπεδο (Εικ. 10.3) και όχι χαμηλότερα από το χαμηλότερο επίπεδο (Εικ. 10.4).
3. Επανατοθετήστε την τάπα πλήρωσης λαδιού και σφίξτε κατάλληλα.

ΠΡΟΕΙΔΟΠΟΙΗΣΗ

Να χρησιμοποιείτε κωνί για να αποφύγετε να κυθεί το καύσιμο ή το λάδι. Σκουπίστε τυχόν χυμένα καύσιμα και λάδια πριν ξεκινήσετε τον κινητήρα.

Επιλογή αντλίας

Το κατάλληλο μοντέλο αντλίας πρέπει να επιλεγεί πρώτα σύμφωνα με το υγρό που θα αντληθεί και στη συνέχεια σύμφωνα με τις συγκεκριμένες ανάγκες της εγκατάστασης που θα χρησιμοποιηθεί. Ένας έμπειρος μηχανικός θα πρέπει να μπορεί να σας καθοδηγήσει υπολογίζοντας σωστά τις συγκεκριμένες ανάγκες της εγκατάστασης για την οποία σκοπεύετε να χρησιμοποιήσετε την αντλία. Μόλις υπολογιστούν τα απαιτούμενα δεδομένα παροχής και μανομετρικού, μπορείτε να χρησιμοποιήσετε τα γραφήματα απόδοσης (Εικ. 25-34) για να επιλέξετε το πιο κατάλληλο μοντέλο αντλίας.

Τοποθέτηση μονάδας

Η μονάδα πρέπει να λειτουργεί σε σταθερό και επίπεδο έδαφος, προκειμένου να αποφευχθεί ζημιά σε αυτήν και να είναι σε θέση να προσφέρει μέγιστη απόδοση. Στην ιδανική περίπτωση, η αντλία πρέπει να τοποθετείται κοντά στη στάθμη της πηγής νερού και θα πρέπει να χρησιμοποιείτε εύκαμπτους σωλήνες όχι μεγαλύτερους από ό, τι απαιτείται για την εργασία. Το μήκος, ο τύπος και το μέγεθος των σωλήνων αναρρόφησης και εξαγωγής μπορούν να επηρεάσουν σημαντικά την απόδοση της αντλίας. Σημειώστε επίσης ότι καθώς αυξάνεται το ύψος αναρρόφησης (Εικ. 11.2) ή το μανομετρικό ύψος (Εικ. 11.3), με αποτέλεσμα του συνολικού μανομετρικού ύψους (Εικ. 11.1), η απόδοση εξόδου της αντλίας μειώνεται. Η ελαχιστοποίηση του ύψους αναρρόφησης τοποθετώντας την αντλία κοντά στη στάθμη του νερού είναι επίσης πολύ σημαντική για τη μείωση του χρόνου αυτόματης πλήρωσης.

Εγκατάσταση σωλήνα αναρρόφησης

Για να εγκαταστήσετε το σωλήνα αναρρόφησης (Εικ. 12.6) στη είσοδο αναρρόφησης της αντλίας (Εικ. 12.1) χρησιμοποιήστε το στεγανοποιητικό (Εικ. 12.2), τον σύνδεσμο σωλήνα (Εικ. 12.3), τον σφικτήρα του συνδέσμου του σωλήνα (Εικ. 12.4) και σφικτήρα του σωλήνα (Εικ. 12.5) όπως φαίνεται στην Εικ. 12. Συνιστάται να χρησιμοποιείτε σωλήνα αναρρόφησης διαμέτρου ίδιο με το στόμιο αναρρόφησης για να αποφύγετε απώλεια απόδοσης λόγω τριβής του νερού με το εσωτερικό των τοιχωμάτων του σωλήνα ή διαταραχών ροής. Στο άλλο άκρο του εύκαμπτου σωλήνα αναρρόφησης (Εικ. 13.3) τοποθετήστε το φίλτρο (Εικ. 13.1) χρησιμοποιώντας το σφικτήρα του σωλήνα (Εικ. 13.2) όπως φαίνεται στο Σχ. 13. Το φίλτρο θα βοηθήσει στην αποφυγή φραγής ή βλάβης της αντλίας, από τυχόν ξένα σώματα που περιέχονται στο νερό υπό άντληση.

Εγκατάσταση σωλήνα εξαγωγής

Για να εγκαταστήσετε το σωλήνα εξαγωγής (Εικ. 14.3) στην έξοδο της αντλίας (Εικ. 14.2) χρησιμοποιήστε το στεγανοποιητικό, τον σύνδεσμο σωλήνα, τον σφικτήρα του συνδέσμου σωλήνα και τον σφικτήρα του σωλήνα (Εικ. 14.2) όπως φαίνεται στην Εικ. 14. Συνιστάται να χρησιμοποιείτε σωλήνα εξαγωγής διαμέτρου ίδιο με το στόμιο εξαγωγής για να αποφύγετε απώλεια απόδοσης λόγω τριβής του νερού με το εσωτερικό των τοιχωμάτων του σωλήνα ή διαταραχών ροής. Σφίξτε καλά το σφικτήρα του σωλήνα για να αποφύγετε την αποσύνδεση του σωλήνα εξαγωγής υπό υψηλή πίεση.

Προπλήρωση αντλίας

Το εσωτερικό του σώματος της αντλίας πρέπει να γεμίσει με καθαρό νερό πριν από την εκκίνηση του κινητήρα.

ΠΡΟΕΙΔΟΠΟΙΗΣΗ

Η αντλία δεν πρέπει ποτέ να λειτουργεί στεγνή για να αποφευχθούν ζημιές στις τσιμουχές και τα περιστρεφόμενα μέρη της αντλίας λόγω υψηλής θερμοκρασίας και τριβής.

Για να πραγματοποιήσετε προπλήρωση της αντλίας:

1. Αφαιρέστε την τάπα προπλήρωσης της αντλίας (Εικ. 15.1).
2. Γεμίστε την αντλία με καθαρό νερό (Εικ. 15.2).
3. Επανατοθετήστε την τάπα προπλήρωσης και σφίξτε κατάλληλα.

ΕΚΚΙΝΩΝΤΑΣ ΤΟ ΜΗΧΑΝΗΜΑ

Προτού εκκινήσετε το μηχανήμα:

1. Βεβαιωθείτε ότι τόσο το μηχανήμα όσο και εσείς είστε σε σταθερό έδαφος.
2. Ελέγξτε πως όλα τα στοιχεία σύσφιξης είναι ασφαλισμένα στις θέσεις τους.
3. Προτοιμάστε τους σωλήνες αναρρόφησης και εξαγωγής και σιγουρευτείτε πως είναι σωστά τοποθετημένοι.
4. Ελέγξτε πως το φίλτρο αέρα είναι καθαρό και πως η εισαγωγή αέρα και η εξάτμιση δεν είναι κλειστές από τυχόν ξένα σώματα.
5. Γεμίστε με την απαιτούμενη ποσότητα λαδιού και καυσίμου.

- Γεμίστε το σώμα της αντλίας με νερό Για να ξεκινήσετε το μηχανήμα:
1. Μετακινήστε το μοχλό καυσίμου (Εικ. 16.1) στη θέση "ON".
2. Μετακινήστε το μοχλό τσοκ (Εικ. 17.1) στη θέση "CHOKE".

ΣΗΜΕΙΩΣΗ

Αυτό το βήμα ισχύει μόνο για κρύα εκκίνηση του κινητήρα. Όταν ο κινητήρας είναι ήδη ζεστός ή η θερμοκρασία περιβάλλοντος είναι υψηλή, ο μοχλός τσοκ πρέπει να βρίσκεται πάντα στη θέση "OFF".

3. Μετακινήστε το διακόπτη ON / OFF (Εικ. 1.14) στη θέση "ON" (Εικ. 18.1).
4. Μετακινήστε το μοχλό γκαζιού (Εικ. 19.1) έως το 1/3 του δρόμου προς τη θέση "A" (υψηλή ταχύτητα).
5. Πιάστε σταθερά τη λαβή του μηχανήματος με το αριστερό σας χέρι και τη χειρόμυζα του κινητήρα (Εικ. 20.2) με το δεξί σας χέρι. Τραβήξτε τη χειρόμυζα έως ότου αισθανθείτε αντίσταση για να φέρετε τον κινητήρα σε συμπίεση και μετά τραβήξτε δυναμικά για να εκκινήσετε τον κινητήρα.

ΠΡΟΕΙΔΟΠΟΙΗΣΗ

Για να μην σπάσετε το σχοινί της μίζας (Εικ. 20.1), μην χρησιμοποιείτε ολόκληρο το μήκος του ή το αφήνετε να γλιστρήσει κατά μήκος της άκρης της οπής οδηγού του. Απελευθερώστε σταδιακά τη χειρόμυζα, για να αποφύγετε να επιστρέψει στην θέση του ανεξέλεγκτα.

6. Καθώς ο κινητήρας θερμαίνεται, μετακινήστε σταδιακά το μοχλό τσοκ στη θέση "RUN", εάν πραγματοποιήσατε κρύα εκκίνηση.

ΣΗΜΕΙΩΣΗ

Για μέγιστη απόδοση και αξιοπιστία, αφήστε τον κινητήρα να ζεσταθεί πριν από τη λειτουργία. Λειτουργήστε τον κινητήρα για δύο έως τρία λεπτά με ταχύτητα ρελαντί.

7. Αφού ζεσταθεί ο κινητήρας, μετακινήστε το μοχλό του γκαζιού στη θέση "A" (υψηλή ταχύτητα) για αυτόματη πλήρωση της αντλίας και ελέγξτε την έξοδο της αντλίας.

ΛΕΙΤΟΥΡΓΩΝΤΑΣ ΤΟ ΜΗΧΑΝΗΜΑ

Μοχλός ταχύτητας

Η παροχή της εξαγωγής ελέγχεται ρυθμίζοντας την ταχύτητα του κινητήρα μετακινώντας το μοχλό γκαζιού μεταξύ των θέσεων "A" (υψηλή ταχύτητα) και "B" (χαμηλής ταχύτητας). Αυξάνοντας την ταχύτητα του κινητήρα, αυξάνεται η παροχή της εξαγωγής της αντλίας. Μειώνοντας την ταχύτητα του κινητήρα, μειώνετε η παροχή της εξαγωγής της αντλίας.

ΣΤΑΜΑΤΩΝΤΑΣ ΤΟ ΜΗΧΑΝΗΜΑ

Για να σταματήσετε το μηχανήμα:

1. Μειώστε την ταχύτητα του κινητήρα μετακινώντας το μοχλό γκαζιού προς τη θέση "B" (χαμηλή ταχύτητα).
2. Μετακινήστε το διακόπτη ON / OFF στη θέση "OFF" (Εικ. 18.2).
3. Μετακινήστε το μοχλό καυσίμου στη θέση "OFF".
4. Αφαιρέστε την τάπα αποστράγγισης της αντλίας και αδειάστε το θάλαμο του σώματος της αντλίας.
5. Αφαιρέστε την τάπα προπλήρωσης της αντλίας

ας και ξεπλύνετε το θάλαμο του σώματος της αντλίας με καθαρό νερό για να αφαιρέσετε τυχόν υπολείμματα αντλημένου νερού ή ξένα σώματα που μπορεί να προκαλέσουν ζημιά στην αντλία.

6. Αφήστε το νερό να στραγγίσει από το θάλαμο του σώματος της αντλίας.
7. Επανατοποθετήστε την τάπα προπλήρωσης της αντλίας και την τάπα αποστράγγισης της αντλίας στη θέση τους και σφίξτε κατάλληλα.

ΣΥΝΤΗΡΗΣΗ ΚΑΙ ΚΑΘΑΡΙΣΜΟΣ

ΠΡΟΕΙΔΟΠΟΙΗΣΗ

Μην κάνετε ποτέ συντήρηση ή καθαρισμό με το μηχανήμα σε λειτουργία. Να εργάζεστε πάντα σε κρύο μηχανήμα. Πριν καθαρίσετε ή εκτελέσετε εργασίες συντήρησης, αποσυνδέστε το μοιζύι και διαβάστε τις σχετικές οδηγίες. Φοράτε κατάλληλα ρούχα και προστατευτικά γάντια όποτε κινδυνεύουν τα χέρια σας.

Τυχόν προσαρμογές ή εργασίες συντήρησης που δεν περιγράφονται σε αυτό το εγχειρίδιο πρέπει να εκτελούνται από τον αντιπροσώπο σας ή ένα εξειδικευμένο κέντρο σέρβις με τις απαραίτητες γνώσεις και εξοπλισμό για να διασφαλιστεί ότι η εργασία γίνεται σωστά διατηρώντας το αρχικό επίπεδο ασφάλειας του μηχανήματος. Τυχόν εργασίες που εκτελούνται σε μη εξουσιοδοτημένα κέντρα ή από μη εξουσιοδοτημένα άτομα θα ακυρώσουν πλήρως την εγγύηση και όλες τις υποχρεώσεις και ευθύνες του κατασκευαστή.

Διατηρείτε όλα τα παξιμάδια και τις βίδες σφιχτά για να βεβαιωθείτε ότι το μηχανήμα είναι πάντα σε ασφαλή κατάσταση λειτουργίας. Η τακτική συντήρηση είναι απαραίτητη για την ασφάλεια και για τη διατήρηση υψηλού επιπέδου επιδόσεων.

ΠΡΟΕΙΔΟΠΟΙΗΣΗ

Μη χρησιμοποιείτε ποτέ το μηχανήμα με φθαρμένα ή κατεστραμμένα μέρη. Τα ελαττωματικά ή φθαρμένα εξαρτήματα πρέπει πάντα να αντικαθίστανται και να μην επισκευάζονται. Χρησιμοποιείτε μόνο γνήσια ανταλλακτικά.

ΠΡΟΓΡΑΜΜΑ ΣΥΝΤΗΡΗΣΗΣ

Εργασία		Συχνότητα			
		Πριν από κάθε χρήση	Μετά τον 1ο μήνα ή τις πρώτες 20 ώρες χρήσης	Κάθε 3 μήνες ή 50 ώρες χρήσης	Κάθε 12 μήνες ή 100 ώρες χρήσης
Μηχάνημα	Ελέγξτε οπτικά	✓			

Συχνότητα		Πριν από κάθε χρήση	Μετά τον 1ο μήνα ή τις πρώτες 20 ώρες χρήσης	Κάθε 3 μήνες ή 50 ώρες χρήσης	Κάθε 12 μήνες ή 100 ώρες χρήσης	Κάθε 24 μήνες ή 250 ώρες χρήσης
Χειριστήρια	Ελέγξτε λειτουργία	✓				
Σπινθηριστής (αν διατίθεται)	Καθαρίστε			✓*		
Λάδι κινητήρα	Ελέγξτε-Συμπληρώστε	✓				
	Αντικαταστήστε		✓	✓		
Φίλτρο αέρα	Ελέγξτε	✓				
	Καθαρίστε		✓			
	Αντικαταστήστε			✓		
Μπουζί	Ελέγξτε-Προσαρμόστε		✓		✓*	
Σωλήνες και φίλτρο καυσίμου	Ελέγξτε-Καθαρίστε **				✓*	
Ντεπόζιτο καυσίμου	Ελέγξτε-Καθαρίστε **					✓*
Καπάκι ιζημάτων (αν διατίθεται)	Καθαρίστε		✓	✓		
Διάκενο βαλβίδων	Ελέγξτε-Προσαρμόστε **				✓	
Θάλαμος καύσης	Ελέγξτε-Καθαρίστε **					✓*

* Αυτά τα αντικείμενα πρέπει να αντικαθίστανται αν απαιτείται.

**Αυτές οι εργασίες πρέπει γίνονται μόνο από εξουσιοδοτημένους αντιπροσώπους που έχουν τα κατάλληλα εργαλεία και επάρκεια γνώσεων.

ΛΑΔΙ ΚΙΝΗΤΗΡΑ ΠΡΟΕΙΔΟΠΟΙΗΣΗ

Ο έλεγχος της στάθμης και η αλλαγή λαδιού πρέπει να γίνονται σε στερεά και επίπεδη επιφάνεια. Ο κινητήρας πρέπει να είναι πάντα σταματημένος. Εάν ο κινητήρας ήταν σε λειτουργία, θα είναι ζεστός και η διαδικασία πρέπει να γίνεται με προσοχή για να αποφευχθεί ο κίνδυνος εγκαύματος.

ΣΗΜΕΙΩΣΗ

Αποστραγγίστε το χρησιμοποιημένο λάδι ενώ ο κινητήρας είναι ζεστός. Το ζεστό λάδι αποστραγγίζεται γρήγορα και πλήρως.

Για να ελέγξετε τη στάθμη λαδιού:

1. Αφαιρέστε την τάπα λαδιού (Εικ. 21.6) από το λαίμο πλήρωσης λαδιού του κινητήρα (Εικ. 21.1)
2. Ελέγξτε τη στάθμη λαδιού. Η στάθμη λαδιού πρέπει να φτάνει στο κείλος (Εικ. 21.7) του λαίμου πλήρωσης λαδιού. Εάν απαιτείται, προσθέστε αρκετό λάδι για να φέρετε τη στάθμη λαδιού στο κείλος του λαίμου πλήρωσης λαδιού, μέχρι το ανώτερο επίπεδο (Εικ. 10.3) και όχι χαμηλότερα από το χαμηλότερο επίπεδο (Εικ. 10.4).
3. Τοποθετήστε την τάπα λαδιού στη θέση του και σφίξτε επαρκώς.

Για να αλλάξετε το λάδι:

1. Αφαιρέστε την τάπα λαδιού από το λαίμο πλήρωσης λαδιού του κινητήρα.
2. Τοποθετήστε κατάλληλο δοχείο (Εικ. 21.3) κάτω από την τάπα εξαγωγής λαδιού (Εικ. 21.2) για να συλλέξετε το μεταχειρισμένο λάδι.
3. Αφαιρέστε την τάπα εξαγωγής λαδιού (Εικ. 21.4) και τη ροδέλα (Εικ. 21.5) και επιτρέψτε στο λάδι να στραγγίξει πλήρως.
4. Τοποθετήστε την τάπα εξαγωγής λαδιού και τη ροδέλα στη θέση τους και σφίξτε επαρκώς.
5. Προσθέστε σταδιακά αρκετό λάδι για να φέρετε τη στάθμη λαδιού στο κείλος του λαίμου πλήρωσης λαδιού, μέχρι το ανώτερο επίπεδο (Εικ. 10.3) και όχι χαμηλότερα από το χαμηλότερο επίπεδο (Εικ. 10.4).
6. Επανατοποθετήστε την τάπα πλήρωσης λαδιού και σφίξτε κατάλληλα.

ΣΗΜΕΙΩΣΗ

Εάν ο κινητήρας λειτουργεί συχνά υπό συνθήκες αυξημένης σκόνης ή άλλες δυσμενείς συνθήκες, αλλάζετε το λάδι του κινητήρα κάθε 25 ώρες.

ΠΡΟΕΙΔΟΠΟΙΗΣΗ

Η λειτουργία του κινητήρα με χαμηλή στάθμη λαδιού θα προκαλέσει ζημιά στον κινητήρα.

ΦΙΛΤΡΟ ΑΕΡΑ ΠΡΟΕΙΔΟΠΟΙΗΣΗ

Το να λειτουργείτε τον κινητήρα χωρίς φίλτρο αέρα ή με φίλτρο αέρα με βλάβη, θα επιτρέψει την εισοδο βρωμιάς στο εσωτερικό του, προκαλώντας ταχεία φθορά του κινητήρα.

Για να ελέγξετε, καθαρίστε ή αντικαταστήσετε το φίλτρο αέρος:

1. Αφαιρέστε το κάλυμμα του φίλτρου αέρα (Εικ. 22.1).
2. Βεβαιωθείτε ότι το στοιχείο φίλτρου αέρα (Εικ. 22.2) είναι απαλλαγμένο από ακαθαρσίες και σε καλή κατάσταση. Εάν είναι βρώμικο, αφαιρέστε το και καθαρίστε το.
 - Για να καθαρίσετε ένα στοιχείο φίλτρου αέρα αφροί πλύνετε το με απορρυπαντικό σπιτιού και ζεστό νερό και αφήστε το να στεγνώσει. Στη συνέχεια, βυθίστε το σε καθαρό λάδι κινητήρα και πιέστε απαλά ώστε να στραγγίξετε από το περίσσιο λάδι. Εάν απαιτείται, αντικαταστήστε το με ένα νέο.
 - Για να καθαρίσετε ένα στοιχείο φίλτρου αέρα χαρτιού, καθαρίστε ελαφριά βρωμιά χτυπώντας το απαλά με μερικές φορές σε σκληρή επιφάνεια και αντικαταστήστε εάν υπάρχει βαριά βρωμιά.
3. Καθαρίστε το εσωτερικό της θήκης του φίλτρου αέρα και το κάλυμμα από βρωμιά με ένα μαλακό πανί. Εάν ο κινητήρας είναι εξοπλισμένος με φίλ-

τρο αέρα τύπου σε λάδι, αντικαταστήστε το λάδι με νέο λάδι κινητήρα.

- Επανατοποθετήστε το στοιχείο φίλτρου αέρα και ακολουθήστε την αντίστροφη διαδικασία για να επανατοποθετήσετε το κάλυμμα του φίλτρου αέρα.

ΠΡΟΕΙΔΟΠΟΙΗΣΗ

Μην καθαρίζετε ποτέ το φίλτρο αέρα με βενζίνη ή απορρυπαντικά χαμηλού σημείου ανάφλεξης για να αποφύγετε τον κίνδυνο πυρκαγιάς ή έκρηξης.

ΣΗΜΕΙΩΣΗ

Εάν ο κινητήρας λειτουργεί συχνά υπό συνθήκες αυξημένης σκόνης ή άλλες δυσμενείς συνθήκες, καθαρίστε το στοιχείο φίλτρου αέρα κάθε 10 ώρες και αλλάξτε το λάδι του με καινούργιο. Εάν είναι απαραίτητο, αλλάξτε το στοιχείο φίλτρου αέρα κάθε 25 ώρες.

ΜΠΟΥΖΙ

Για να συντηρήσετε το μπουζί (Εικ. 23.4):

- Αφαιρέστε το καλώδιο μπουζί (Εικ. 23.1) για να έχετε πρόσβαση στο μπουζί (Εικ. 23.2).
- Χρησιμοποιήστε ένα κατάλληλο εργαλείο μπουζί (Εικ. 23.3) για να αφαιρέσετε προσεκτικά το μπουζί.
- Επιθεωρήστε την κατάσταση του μπουζί και του ηλεκτροδίου του. Πρέπει να είναι καθαρό και να μην είναι φθαρμένο. Ελέγξτε ότι το διάκενο μπουζί κυμαίνεται μεταξύ 0,7 και 0,8 mm (Εικ. 16). Αν χρειάζεται, αντικαταστήστε το μπουζί με ένα νέο.
- Βιδώστε προσεκτικά το μπουζί στον κινητήρα με το χέρι.
- Αφού βιδώσετε μερικές σπείρες, χρησιμοποιήστε το κατάλληλο εργαλείο μπουζί για να σφίξετε σταθερά το μπουζί, προσέχοντας να μην χρησιμοποιήσετε υπερβολική δύναμη ώστε να βλάψετε το σπείρωμα.
- Επανασυνδέστε το καλώδιο του μπουζί.

ΠΡΟΕΙΔΟΠΟΙΗΣΗ

Μην αφήνετε ποτέ βρωμιά ή υπολείμματα να εισέλθουν στον κύλινδρο. Πριν αφαιρέσετε το μπουζί, καθαρίστε προσεκτικά τόσο το μπουζί όσο και την περιοχή της κύλινδρο-κεφαλής.

ΚΑΠΑΚΙ ΙΖΗΜΑΤΩΝ ΚΑΥΣΙΜΟΥ

ΠΡΟΕΙΔΟΠΟΙΗΣΗ

Συντηρείτε το καρμπυρατέρ μόνο σε εξωτερικούς και καλά αεριζόμενους χώρους.

Για να συντηρήσετε το καπάκι ιζημάτων καυσίμου:

- Γυρίστε το μοχλό καυσίμου (Εικ. 24.1) στη θέση "OFF".
- Αφαιρέστε το καπάκι ιζημάτων καυσίμου (Εικ. 24.3) του καρμπυρατέρ μαζί με το λαστικάκι στεγανοποίησής του (Εικ. 24.2).
- Πλύνετε τα μέρη που αφαιρέσατε σε διάλυμα, στεγνώστε διεξοδικά.

ΠΡΟΕΙΔΟΠΟΙΗΣΗ

Μην καθαρίζετε ποτέ το καπάκι ιζημάτων καυσίμου με βενζίνη ή απορρυπαντικά χαμηλού σημείου ανάφλεξης για να αποφύγετε τον κίνδυνο πυρκαγιάς ή έκρηξης.

- Αντικαταστήστε το λαστικάκι στεγανοποίησης με καινούργιο αν απαιτείται.
- Επανατοποθετήστε το λαστικάκι στεγανοποίησης και το καπάκι ιζημάτων καυσίμου και ασφαλίστε τα στη θέση τους.

- Γυρίστε το μοχλό καυσίμου στη θέση "ON" και ελέγξτε για τυχόν διαρροές καυσίμου.

ΦΙΛΤΡΟ ΒΕΝΖΙΝΗΣ

Το δοχείο καυσίμου ενδέχεται να είναι εφοδιασμένο με ένα φίλτρο, ανάλογα με το μοντέλο του σκαπτικού, που βρίσκεται στην τάπα του δοχείου καυσίμου. Το φίλτρο καυσίμου μπορεί να διαχωριστεί και πρέπει να ελέγχεται περιοδικά. Εάν το φίλτρο είναι βρώμικο, καθαρίστε το και αντικαταστήστε το με ένα νέο όταν απαιτείται. Σε περίπτωση που το εσωτερικό του δοχείου καυσίμου είναι βρώμικο, μπορεί να καθαριστεί ξεπλυνώντας το με καθαρή βενζίνη.

ΚΑΘΑΡΙΣΜΟΣ

Χρησιμοποιήστε μια μικρή μαλακή βούρτσα για να καθαρίσετε το εξωτερικό του μηχανήματος. Μην χρησιμοποιείτε ισχυρά απορρυπαντικά. Τα οικιακά καθαριστικά που περιέχουν αρωματικά έλαια όπως πεύκο και λεμόνι και διαλύτες όπως κηροζίνη μπορούν να προκαλέσουν ζημιά στο πλαστικό περιβλήμα ή στη λαβή. Σκουπίστε τυχόν υγρασίες με ένα μαλακό πανί. Οι φρέζες και οι λασπωτήρες μπορούν να καθαριστούν με νερό χρησιμοποιώντας ένα λάστιχο κήπου.

ΑΠΟΘΗΚΕΥΣΗ

ΠΡΟΕΙΔΟΠΟΙΗΣΗ

Μην αποθηκεύετε ποτέ το μηχάνημα με καύσιμο στη δεξαμενή και αφήνετε πάντα να κρυώσει πριν την αποθήκευση. Αποθηκεύστε το μηχάνημα μόνο σε ξηρούς και καλά αεριζόμενους χώρους.

Σε περίπτωση που η μονάδα θα αποθηκευτεί για μεγάλο χρονικό διάστημα, χρησιμοποιήστε την ακόλουθη διαδικασία αποθήκευσης:

- Αποστραγγίστε όλο το καύσιμο από το ρεζερβουάρ καυσίμου.
- Γυρίστε το διακόπτη καυσίμου στη θέση "OFF". Αφαιρέστε το πώμα αποστράγγισης του καρμπυρατέρ (Εικ. 24.4) και τη ροδέλα (Εικ. 24.5). Βεβαιωθείτε ότι μαζεύετε το υπό αποστράγγιση καύσιμο σε κατάλληλο δοχείο και σκουπίστε τυχόν κυμένο καύσιμο. Αυτό διασφαλίζει ότι όλο το καύσιμο έχει αποστραγγιστεί από το καρμπυρατέρ.
- Αντικαταστήστε το λάδι του κινητήρα με καινούργιο.
- Αντικαταστήστε το λάδι του φίλτρου αέρα με νέο, αν πρόκειται για φίλτρο αέρα τύπου σε λάδι.
- Αφαιρέστε το μπουζί και βάλτε 30 ml λαδιού κινητήρα υψηλής ποιότητας ή λαδιού μίξης στον κύλινδρο. Τραβήξτε αργά το σχοινί της μίζας για να διανεμάτε το λάδι. Εγκαταστήστε εκ νέου το μπουζί.
- Καθαρίστε σχολαστικά τη μονάδα και ελέγξτε για τυχόν χαλαρά ή κατεστραμμένα μέρη. Επισκευάστε ή αντικαταστήστε τα κατεστραμμένα μέρη και σφίξτε τις χαλαρές βίδες, παξιμάδια ή μπουλόνια.
- Λιπάνετε όλα τα μέρη όπου απαιτείται με ένα νωπό σε λάδι πανί για να αποφύγετε τη συσσώρευση σκουριάς.

ΠΡΟΣΤΑΣΙΑ ΤΟΥ ΠΕΡΙΒΑΛΛΟΝΤΟΣ

Ανακυκλώστε τις πρώτες ύλες αντί να τις απορρίψετε. Το μηχάνημα, τα αξεσουάρ και οι συσκευασίες πρέπει να ταξινομούνται για φιλική προς το περιβάλλον ανακύκλωση. Τα πλαστικά εξαρτήματα επισημαίνονται για κατηγοριοποιημένη ανακύκλωση.

Απορρίψτε το χρησιμοποιημένο λάδι κινητήρα και τα δοχεία με τρόπο φιλικό προς το περιβάλλον. Σας προτείνουμε να το πάτε σε ένα σφραγισμένο δοχείο στο τοπικό κέντρο ανακύκλωσης ή στο πρατήριο καυσίμων. Μην το πετάτε στα σκουπίδια και μην το ρίχνετε στο έδαφος ή στην αποχέτευση.

ΕΓΓΥΗΣΗ

Αυτό το προϊόν είναι εγγυημένο σύμφωνα με τους νόμους / ειδικούς κανονισμούς ανά χώρα, από την ημερομηνία αγοράς του από τον χρήστη. Ζημιές που οφείλονται σε φυσιολογική φθορά, υπερφόρτωση ή ακατάλληλο χειρισμό θα εξαιρεθούν από την εγγύηση. Σε περίπτωση αξίωσης, στείλτε το μηχάνημα, πλήρως συναρμολογημένο, στον αντιπρόσωπό σας ή στο επίσημο κέντρο σέρβις.

SRPSKI

ΟΠՏΑ BEZBEDNOSNA UPOZORENJA

Pročitajte i razumete uputstvo ovog vlasnika pre rada ovog proizvoda. Možete da sprečite nezgode tako što ćete biti upoznati sa kontrolama proizvoda i pridržavanjem bezbednih operativnih procedura i bezbednosnih znakova. Uvek koristite zdrav razum da izbegnete sve situacije koje se smatraju izvan vaše mogućnosti. Nemojte koristiti dok ste umorni ili pod uticajem droga, alkohola ili bilo kojih drugih lekova. Držite prolaznike i životinje koje bi mogle biti povređene, kao i predmete koji bi mogli biti oštećeni, daleko dok rade. Nikada ne dozvolite deci ili osobama koje nisu upoznale sa ovim uputstvima da koriste proizvod. Lokalni zakoni mogu da ograniče minimalnu starosnu granicu operatera. Imajte na umu da je operater ili korisnik odgovoran za nesreće ili neočekivane događaje koji se dešavaju drugim ljudima, životinjama ili njihovoj imovini. Ne izlažite proizvod prekomernoj vlazi, prašini, prljavštini ili korozivnim isparenjama. Nemojte montirati opremu ili pribor na mašinu koja nije predviđena ili odobrena od strane proizvođača. Nikada ne pokušavajte da izmenite proizvod. Neovlašćene izmene ili pribor mogu rezultirati ozbiljnim ličnim povredama ili smrću operatera ili drugih osoba. Posavetujte se sa ovlašćenim dilerom za rastav i uslugu, koja nije obuhvaćena ovim uputstvom. Ako se nešto pokvari ili dođe do nezgode tokom rada, odmah isključite mašinu i udaljite je kako biste sprečili dalje oštećenje. U slučaju da je strano telo ušlo u mašinu, odmah ga zaustavite, pregledajte da li ima oštećenja i izvršite popravke pre nego što ga ponovo započnete.

ZAŠTITNA OPREMA

Uverite se da prilikom rada jedinice koristite odgovarajuću i sertifikovanu zaštitnu opremu. Uvek nosite odeću koja ne sputava pokrete, zaštitne rukavice, zaštitne naočare, respirator sa polu maskiranim ušima, zaštitu ušiju i anti-shear sigurnosne čizme sa neklizajućim đonom. Nikada ne nosite šalove, oglrice ili bilo kakav viseći ili lepršavi pribor i odeću koja bi mogla da se uhvati u mašini. Veći kosu ako je dugaika.

OPASNOSTI OD OTROVA

Radi samo na otvorenom i u dobro provetrenim delovima. Kada radi, motor iscrpljuje otrovni ugljen-monoksid, bez mirisa i bezbojni gas. Udisanje ugljen-monoksida izazvaće mučninu, nesvesticu ili smrt. Nemojte upravljati mašinom u zatvorenom prostoru gde mogu da se razviju opasna isparenja ugljen-monoksida, ili blizu otvorenih prozora. Gorivo i ulje su izuzetno otrovni. Nemojte udisanje goriva isparavati gasove i uvek nosite odgovarajuću zaštitnu opremu prilikom rukovanja njima. Uvek skladištite gorivo i ulje u odobrenim posudama i odgovorno raspoložete.

OPASNOSTI OD POŽARA I OPEKOTINA

Neki delovi mašine se zagreju dovoljno da zapale zapaljive materijale. Ne koristite u oblastima sa visokim rizikom od požara. Ne usmeravajte prigušivača a samim tim i izdovna isparenja prema zapaljivim materijalima.

Neki delovi mašine se zagreju dovoljno da izazovu oštećenje opekotina. Obratite pažnju da ih ne dodirujete kako biste izbegli da se opečete. Ostavite mašinu da se ohladi pre nego što je uskladištite.

Benzin i nafta su zapaljivi. Sledite uputstva koja je obezbedio svaki proizvođač pre upotrebe. Potencijalne izvore vatre ili iskre treba držati podalje sve vreme. Ne pušite blizu mašine ili bilo kakvog goriva i ulja. Gorivo samo na otvorenom, u dobro provetrenoj oblasti, sa isključenim motorom. Polako otvorite rezervoar za gorivo kako biste omogućili da se pritisak unutra smanjuje postepeno. Ne preteruj sa rezervoarom. Uverite se da postoji određeno rastojanje između bilo kog rezervnog rezervoara benzina i jedinice, kako bi se sprečila nepotrebna opasnost. Pobrinite se da bilo koje i svo prosuto gorivo i ulje budu izbrisani pre nego što upalite motor.

Ako dođe do požara, koristite odgovarajući protipožarni aparat posebno dizajniran za požar nafte i benzina.

KATEGORIJA BEZBEDNOSNA UPOZORENJA

BEZBEDAN RAD

Sve operativne poluge mašine moraju lako da se kreću sa jedne pozicije na drugu i ne sme im biti potrebno forsiranje. Kvačilo i obrnute poluge (gde je primenljivo) moraju se automatski i brzo vratiti na neutralnu poziciju. Električni kablovi i posebno kabl za svećice moraju biti u savršenom stanju da bi se izbegla generacija bilo kakvih varnica i svećica mora biti pravilno uklopljena na svećice. Ručne i zaštitne uređaje moraju biti čiste i suve kao i bezbedno pričvršćavanje za mašinu.

Uvek proverite da li postoje objekti koji mogu da blokiraju ekran za unos vazduha pre nego što počinju sa radom. Zapušeni unos vazduha smanjuje performanse mašine i povećava radnu temperaturu motora, što može rezultirati kvarom motora.

Uverite se da ste zaustavili motor:

- ▶ Prilikom montaže ili uklanjanja dodatne opreme.
- ▶ Kada se krećete između radnih oblasti ili iznad popločanih oblasti i prizemnih prepreka.
- ▶ Kad god ostavite mašinu bez nadzora.
- ▶ Tokom dopune goriva.
- ▶ Tokom čišćenja ili održavanja.
- ▶ Tokom transporta.
- ▶ Pre skladištenja.

OPASNOSTI OD ROTIRAJUĆIH DELOVA

Rotirajući delovi mogu da izazovu ozbiljne povrede. Izbegavajte kontakt sa rotirajućim delovima dok su još uvek u rotaciji. Nikada ne stavljajte ruke ili noge unutar tela pumpe dok motor radi. Nikad ne upravljajte motorom sa rastavi telom pumpe.

OPASNOSTI OD BUKE I VIBRACIJA

Nivoi buke i vibracija prikazani u ovom uputstvima su maksimalni nivoi za korišćenje mašine. Nedovoljno

održavanje ima značajan uticaj na vibracije i emisiju buke. Shodno tome, neophodno je preduzeti preventivne korake kako bi se eliminisala moguća oštećenja usled visokog nivoa buke i stresa od vibracija. Dobro održavajte mašinu, nosite uređaje za zaštitu ušiju, rukavice protiv vibracija i napravite pauze dok radite. Tokom radnog dana pravićete česte i adekvatne pauze kako biste sprečili oštećenje vibracija i oštećenja ušiju.

OPASNOSTI U RADNOJ OBLASTI

Temeljno pregledajte ceo radni prostor i uklonite sve što bi mašina mogla da projektuje, da bude opasan izvor ili da izazove oštećenje mašine (kamenje, grane, gvozdena žica, kosti itd.). Proverite da li postoje prolaznici, životinje ili predmeti koji bi mogli biti oštećeni u roku od najmanje 15 metara od dometa mašine.

Radite samo po dnevnom svetlu, ili uz odgovarajuću veštačku svetlost, u dobrim uslovima vidljivosti. Pokušajte da ne izazivate nikakve smetnje u buci, samo koristeći ovu mašinu u razumno doba dana.

Zauzmu čvrstu i dobro izbalansiranu poziciju. Gde je to moguće, izbegavajte rad na vlažnom, klizavom terenu ili u svakom slučaju na neravnomernom ili strmom terenu koji ne garantuje stabilnost operateru ili odgovarajuće uslove rada mašine.

PREOSTALE OPASNOSTI

Mašina je napravljena pomoću savremene tehnologije i u skladu sa priznatim bezbednosnim pravilima. Čak i kada su preduzete sve bezbednosne mere, neke preostale opasnosti, koje još uvek nisu evidentne, mogu biti prisutne. Operater treba da koristi zdrav razum i preduzme neophodne mere predostrožnosti kako bi izbegao rizik zbog preostalih opasnosti.

SPECIFIKACIJE PROIZVODA

NAMENJENA UPOTREBA

Ova mašina je dizajnirana i proizvedena za prenos vode npr. u plastenicima, voćnjacima, baštama. Čista voda i pumpe visokog pritiska namenjene su ispumpanju samo čiste vode. Hemijske pumpe su dizajnirane za ispumpanje čiste vode, slabe baze kiseline (PH 4-11) i visoke temperaturne tečnosti za paljenje ili morske vode. Polu-smeće (kanalizacija) pumpe su namenjene ispumpanju čiste vode ili vode koja sadrži meke čvrstine prečnika ne veće od 25,4mm. Pumpe za smeće (blato) namenjene su ispumpanju čiste vode ili vode koja sadrži čvrstine prečnika ne veće od 25,4mm do stepena do 50%.

Svaka druga upotreba koja se razlikuje od gore navedenih mogla bi da bude opasna, da naškoditi ljudima i oštetiti stvari i samu mašinu.

NEPRAVILNA UPOTREBA

Mašina ne sme da se koristi za ispumpanje opasnih materija, npr. akumulaciju zapaljivih ili eksplozivnih proizvoda, vrućeg emberina ili materijala za sagoravanje bez plamena, upaljenih cigareta, stakla, oštrih predmeta, metalnih predmeta, kamenja i bilo kog drugog objekta koji bi mogao da bude opasan po samu mašinu kao i operatera, prolaznika, životinja ili imovine.

Drugi primeri nepravilne upotrebe mogu da uključuju, ali nisu ograničeni, na rad računara:

- ▶ Bez originalnog pribora koji je obezbedio proizvođač.
- ▶ Sa originalnim priborom, ali na neki način ne u skladu sa uputstvima.
- ▶ Bez originalnih rezervnih delova.
- ▶ Sa neovlašćenim izmenama.
- ▶ Od strane više od jedne osobe.

TEHNIČKI PODACI PAGINA 86

IDENTIFIKACIJU

GWP 40/79 PLUS (Sl. 1)

1. Kapa rezervoara za gorivo
2. Rezervoar za gorivo
3. Početno prijanjanje
4. Ručica gasa
5. Filter vazduha
6. Prekidač za gorivo
7. Ručica gušenja
8. Regulator transporta
9. Svećica
10. Prigušivač
11. Pumpni priming zatvarač
12. Usisni port (dovod)
13. Utikač za odvod pumpe
14. Utikač za odvod ulja motora
15. Dipstik od motornog ulja
16. Pražnjenje porta (utičnica)
17. PREKIDAČ ON / OFF

GWP 50/209 PLUS, GWP 50/212 PRO, GWP 80/212 PRO (Sl. 2)

1. Okvir
2. Pumpni priming zatvarač
3. Pražnjenje porta (utičnica)
4. PREKIDAČ ON / OFF
5. Dipstik od motornog ulja
6. Početno prijanjanje
7. Kapa rezervoara za gorivo
8. Filter vazduha
9. Prigušivač
10. Utikač za odvod ulja motora
11. Utikač za odvod pumpe
12. Usisni port (dovod)
13. Rezervoar za gorivo

GWP 80/212 ST PRO (Sl. 3)

1. Okvir
2. Pumpni priming zatvarač
3. Navlaka za pumpu T-tip šraf
4. PREKIDAČ ON / OFF
5. Dipstik od motornog ulja
6. Utikač za odvod ulja motora
7. Početno prijanjanje
8. Rezervoar za gorivo
9. Kapa rezervoara za gorivo
10. Filter vazduha
11. Prigušivač
12. Utikač za odvod pumpe
13. Usisni port (dovod)
14. Pražnjenje porta (utičnica)

GWP 80/301 FT PRO (Sl. 4)

1. Okvir
2. Pražnjenje porta (utičnica)
3. PREKIDAČ ON / OFF
4. Dipstik od motornog ulja
5. Utikač za odvod ulja motora
6. Početno prijanjanje
7. Rezervoar za gorivo
8. Kapa rezervoara za gorivo
9. Filter vazduha
10. Prigušivač
11. Navlaka za pumpu
12. Utikač za odvod pumpe
13. Usisni port (dovod)
14. Pumpni priming zatvarač

GWP 50/212 H PRO, GWP 50/389 H PRO (Sl. 5), GWP 50/212 H2 PRO (Sl. 6)

1. Okvir
2. Pražnjenje porta (utičnica)
3. PREKIDAČ ON / OFF
4. Dipstik od motornog ulja
5. Utikač za odvod ulja motora
6. Početno prijanjanje
7. Rezervoar za gorivo
8. Kapa rezervoara za gorivo
9. Filter vazduha
10. Prigušivač
11. Utikač za odvod pumpe
12. Usisni port (dovod)
13. Pumpni priming zatvarač

GWP 50/212 CH PRO, GWP 80/212 CH PRO (Sl. 7)

1. Okvir
2. Pumpni priming zatvarač
3. PREKIDAČ ON / OFF
4. Dipstik od motornog ulja
5. Utikač za odvod ulja motora
6. Početno prijanjanje
7. Rezervoar za gorivo
8. Kapa rezervoara za gorivo
9. Filter vazduha
10. Prigušivač
11. Utikač za odvod pumpe
12. Usisni port (dovod)
13. 1Discharge port (outlet)

OPERACIJA

PREOPERACIJA

Raspakivanje i dovršavanje montaže treba uraditi na ravnoj i stabilnoj površini, sa dovoljno prostora za premeštanje mašine i njene ambalaže, uvek koristeći odgovarajuću opremu. Skupštinu treba da sprovodi obučeno osoblje u vašoj najbližoj diler-skoj radnji, tamo gde je to neophodno.

Gorivo i podmazivanje

UPOZORENJE

Mašina se isporučuje bez nafte i goriva.

Ovaj proizvod je opremljen motorom od 4 poteza što znači da benzin treba koristiti u rezervoaru za gorivo i motor treba da bude napunjen uljem.

Specifikacije goriva: Bezosećeni benzin ili 90 oktana više.

Kapacitet rezervoara za gorivo: Pogledajte "TABELA TEHNIČKIH PODATAKA"

Da biste mašinu napunili gorivom:

1. Skini poklopac rezervoara.
2. Dodajte gorivo na gornji nivo rezervoara za gorivo. Ostavite minimum 5 mm prostora između vrha goriva i unutrašnje ivice rezervoara da biste omogućili proširenje. Polovina dužine filtera rezervoara za gorivo (Sl. 9) takođe može da radi kao znak gornjeg nivoa goriva, gde je dostupan.
3. Pomerite poklopac rezervoara za gorivo i zategnite na odgovarajući način.

UPOZORENJE

Uvek koristite čistu posudu za skladištenje goriva i nemojte koristiti gorivo uskladišteno duže od mesec dana.

Specifikacije ulja: Za opštu upotrebu (5°C - 38°C) preporučeno ulje je 4-moždano motorno ulje SAE 10W30 (Sl. 8).

Kapacitet motornog ulja: Pogledajte "TABELA TEHNIČKIH PODATAKA"

Da biste napunili motor uljem:

1. Uklonite kapu za filer ulja (Sl. 10.1) sa vrata filera motornog ulja (Sl. 10.2). Donji deo je indikator nivoa nafte.
2. Postepeno dodajte dovoljno ulja da nivo ulja dovedete do usne vrata uljanog filera, do gornjeg nivoa (Sl. 10.3) i ne nižeg od donjeg nivoa (Sl.10.4).
3. Repozicionirajte kapu za filer ulja i prikladno zategnuti.

UPOZORENJE

Koristite levak kako biste izbegli prosipanje goriva ili ulja. Obrišite svako prosuto gorivo i ulje pre nego što upalite motor.

Izbor pumpe

Odgovarajući model pumpe treba prvo izabrati prema tečnosti koja će se pumpati, a zatim u skladu sa specifičnim potrebama podešavanja na kome će se koristiti. Iskusi inženjer bi trebalo da bude u mogućnosti da vas vodi tako što će pravilno izračunati specifične potrebe podešavanja za koje planirate da koristite pumpu. Kada se procene potrebni podaci o protoku i podizanju glave, možete koristiti grafikone performansi (Sl. 25-34) da biste odabrali najpogodniji model pumpe.

Smeštaj jedinice

Jedinica treba da radi na stabilnom i nivou terena kako bi se izbeglo oštećenje jedinice i da bi ona mogla da isporuči maksimalne performanse. Idealno bi bilo da pumpa bude postavljena blizu nivoa izvora vode i trebalo bi da koristite creva ne duže nego što je potrebno za posao. Dužina, tip i veličina creva za usisavanje i pražnjenje mogu značajno da utiču na performanse izlaza pumpe. Takođe imajte na pamet da kako se usisna glava (Sl. 11.2) ili glava za pražnjenje (Sl. 11.3) povećava, što rezultira povećanjem ukupne glave (Sl. 11.1), performanse proizvodnje pumpe se smanjuju. Minimiziranje usisne glave postavljanjem pumpe blizu nivoa vode je takođe veoma važno za sniženje vremena samostalnog prigušivanja.

Usisna instalacija creva

Da biste instalirali svoje usisno crevo (Sl. 12.6) u usisni priključak pumpe (Sl. 12.1) koristite pečat (Sl. 12.2), konektor za crevo (Sl. 12.3), stegu konektora za crevo (Sl. 12.5) Preporučuje se da koristite usisno crevo prečnika isto kao i usisni port kako biste izbegli gubitak performansi usled trenja vode sa unutrašnjosti unutrašnjosti dužinom zidova creva ili smetnji u protoku. Na drugom kraju usisno crevo (Sl. 13.3) instalirajte luralicu (Sl. 13.1) koristeći stegu za crevo (Sl. 13.2) kao što je prikazano u Sl. 13. Luralica će pomoći da se spreči da pumpa postane zapušena ili oštećena bilo kakvim krhotinama sadržanim u vodi koje treba ispumpati.

Instalacija creva za pražnjenje

Da biste instalirali crevo za pražnjenje (Sl. 14.3) u priključak za pražnjenje pumpe (Sl. 14.2) koristite pečat, konektor za crevo, stegu konektora za crevo i stegu za crevo (Sl. 14.2) kao što je prikazano u Slici 14. Preporučuje se da koristite crevo prečnika za pražnjenje isto kao i pražnjenje porta da biste izbegli gubitak performansi usled trenja vode sa unutrašnjosti unutrašnjosti mišijom creva ili smetnji u protoku. Bezbedno zategnite stegu za crevo kako biste sprečili da se crevo za pražnjenje isključi pod visokim pritiskom.

Priming pumpa

Unutrašnjost tela pumpe mora biti napunjena čistom vodom pre pokretanja motora.

UPOZORENJE

Pumpu nikada ne treba operisati suvom kako bi se izbeglo oštećenje foka i rotirajućih delova pumpe usled visoke temperature i trenja.

Za prajm pumpu:

1. Uklonite kapu za prim. pumpe (Sl. 15.1).
2. Napunite pumpicu čistom vodom (Sl. 15.2).
3. Promenite položaj kape za priming pumpe i zategnite na odgovarajući način.

POKRETANJE JEDINICE

Pre pokretanja mašine:

1. Pobrinite se da i mašina i vi budete na stabilnom terenu.
2. Proverite da li su svi pričvršćivači obezbeđeni na poziciji.
3. Pripremite usisavanje i creva za pražnjenje i uverite se da su pravilno montirana.
4. Proverite da li je filter vazduha čist i da li je unos vazduha i izduvnih gasova zapušten bilo kakvim stranim materijalom.
5. Napunite potrebnom količinom ulja i goriva.
6. Napumpaj pumpu.

Da biste pokrenuli mašinu:

1. Pomerite ručicu ventila za gorivo (Sl. 16.1) na poziciju "ON".
2. Pomerite ručicu za gušenje (Sl. 17.1) na poziciju "ČHOKE".

BELEŠKE

Ovaj korak se odnosi samo na hladno pokretanje motora. Kada je motor već topao ili je temperatura okoline visoka, ručica gušenja bi trebalo da bude na "RUN" poziciji u svakom trenutku.

3. Pomerite prekidač ON / OFF na poziciju "ON" (Sl. 18.1).
4. Pomerite ručicu gasa (Sl. 19.1) za 1/3 puta prema poziciji "A" (velika brzina).
5. Pričvrstite čvrsto dršku mašine levom rukom i početni stisak (Sl. 20.2) motora desnom rukom. Povucite početni stisak dok ne osetite otpor da uključite motor, a zatim čvrsto povucite da upalite motor.

UPOZORENJE

Da ne biste prolomili starter kanap (Sl. 20.1), nemojte ga povlačiti celom dužinom ili pustiti da klizi duž ivice rupe vodiča za kablovsku televiziju. Oslobodite startera postepeno, kako biste izbegli da nekontrolisano odleti nazad.

6. Kako se motor zagreva, postepeno pomerate ručicu za gušenje na poziciju "RUN", ako je motor bio hladan.

BELEŠKE

Za maksimalne performanse i pouzdanost, dozvolite motoru da se zagreje pre rada pri punom opterećenju, radeći ga dva do tri minuta u nusu.

7. Nakon zagrevanja motora, pomerite ručicu gasa na "A" (velika brzina) poziciju za samopričćenje i proverite izlaz pumpe.

UPRAVLJANJE JEDINICOM

Ručica gasa

Protok izlaza se kontroliše podešavanjem brzine motora pomeranjem poluge između "A" (velika brzina) i "B" (mala brzina) pozicija. Povećavajući brzinu motora, povećava protok proizvodnje pumpe. Smanjuje brzinu motora, smanjuje protok proizvodnje pumpe.

ZAUSTAVLJANJE JEDINICE

Da biste zaustavili mašinu:

1. Smanjite brzinu motora pomeranjem ručice gasa na poziciju "B" (mala brzina).
2. Pomerite prekidač ON / OFF na poziciju "OFF" (Sl. 18.2).
3. Pomerite ručicu ventila za gorivo na poziciju "OFF".
4. Uklonite utikač za odvod pumpe i isušite komoru za telo pumpe.
5. Uklonite kapu za prim.
6. Dozvolite da se sva voda isuši iz komore za telo pumpe.
7. Pomerite pumpni priming zatvarač i pumpni odvodni utikač na mesto i zategnite na odgovarajući način.

ODRŽAVANJE I ČIŠĆENJE

UPOZORENJE

Nikada ne radite održavanje ili čišćenje sa pokrenutom jedinicom. Uvek radi na kul jedinici. Pre čišćenja ili obavljanja radova na održavanju, isključite zatvarač svećice i pročitajte relevantna uputstva. Uvek nosite odgovarajuću odeću i zaštitne rukavice kad god su vam ruke u opasnosti.

Sve korekcije ili operacije održavanja koje nisu opisane u ovom uputstvu moraju da izvrše Vaš Diler ili specijalizovani servisni centar sa potrebnim

znanjem i opremom kako bi se osiguralo pravilno održavanje prvobitnog nivoa bezbednosti mašine. Sve operacije koje se obavljaju u neovlašćenim centrima ili od strane nekvalifikovanih lica potpuno će poništiti garanciju i sve obaveze i odgovornosti Proizvođača.

Držite sve oraha i šrafove čvrsto da biste bili sigurni da je mašina uvek u bezbednom radnom stanju. Rutinsko održavanje je od suštinskog značaja za bezbednost i održavanje visokog nivoa performansi.

UPOZORENJE

Nikada ne koristite mašinu sa istrošenim ili oštećenim delovima. Neispravni ili istrošeni delovi uvek moraju biti zamenjeni, a ne popravljeni. Koristite samo originalne rezervne delove.

RASPORED ODRŽAVANJA

Stavke		Frekvenciju				
		Pre svake upotrebe	Nakon 1. meseca ili prvih 20hr operacije	Svaka 3 meseca ili 50hr operacije	Svaki 12 meseci ili 100hr operacije	Svaki 24 meseci ili 250hr operacije
Kompletna jedinica	Vizuelni Pregled	✓				
Regulatori kontrole	Proverite Operacija	✓				
Hapšenje varnica (ako je dostupno)	Proverite			✓*		
Engine ulje	Provera - Dopuna	✓				
	Zameni		✓	✓		
Filter vazduha	Proverite	✓				
	Čist		✓			
	Zameni			✓		
Svećica	Provera - Podesite		✓		✓*	
Linija goriva i filter	Proverite - Čist**				✓*	
Rezervoar za gorivo	Proverite - Čist**					✓*
Depozitna šolja (ako je dostupno)	Čist		✓	✓		
Ventil Odobrenje	Proverite - Podesite**				✓	
Komora za sagorevanje	Proverite - Čist**					✓*

*Ove stavke treba zameniti ako je potrebno.

**Ove operacije treba da obavlja samo ovlašćeni diler, koji ima odgovarajuće alate i potrebnu mehaničku stručnost.

ULJE MOTORA UPOZORENJE

Proveru nivoa i promenu ulja treba obaviti na čvrstom i nivou tla. Motor mora biti zaustavljen sve vreme. Da je motor radio, biće vruće i procedura bi trebalo da se obavi sa negom i neophodnim merama predostrožnosti kako bi se izbegla opasnost od opekotina.

BELEŠKE

Iscedite polovno ulje dok je motor topao. Toplo ulje se cedi brzo i u potpunosti.

Da biste proverili nivo ulja:

1. Uklonite kapu za filer ulja (Sl. 21.6) sa vrata filera motornog ulja (Sl. 21.1).
2. Proveri nivo ulja. Nivo ulja treba da dostigne usnu (Sl. 21.7) vrata uljanog filera. Ako je potrebno, dodajte dovoljno ulja da se nivo ulja dovede do usne vrata uljanog filera, do gornjeg nivoa (Sl. 10.3) i ne nižeg od donjeg nivoa (Sl. 10.4).
3. Repozicioniti kapu za filer ulja i prikladno zategnuti.

Da biste promenili ulje:

1. Uklonite kapu za filer ulja sa vrata filera motornog ulja.
2. Postavite odgovarajuću posudu (Sl. 21.3) ispod rupe za odvod ulja (Sl. 21.2) da biste uhvatili polovno ulje.
3. Uklonite utikač za odvod ulja (Sl. 21.4) i veću (Sl. 21.5) kako biste omogućili da se ulje potpuno ocedi.
4. Repozicioniši utikač za odvod ulja sa svojom posudom za pranje i zategni na odgovarajući način.
5. Postepeno dodajte dovoljno ulja da nivo ulja dovedete do usne vrata uljanog filera, do gornjeg nivoa (Sl. 10.3) i ne nižeg od donjeg nivoa (Sl. 10.4).
6. Repozicioniti kapu za filer ulja i prikladno zategnuti.

BELEŠKE

Ako motor često radi pod izuzetno prašnjavim ili drugim teškim okolnostima, menjaj ulje motora na svakih 25 sati.

UPOZORENJE

Pokretanje motora će dovesti do oštećenja motora.

FILTER VAZDUHA

UPOZORENJE

Upravljanje motorom bez prečištača vazduha, ili sa oštećenim prečištačem vazduha, omogućiće prljavštini da uđe u motor, što će izazvati brzo habanje motora.

Da biste proverili, očistili ili promenili filter vazduha:

1. Uklonite poklopac filtera vazduha (Sl. 22.1).
2. Uverite se da je element filtera vazduha (Sl. 22.2) oslobođen prljavštine i u dobrom stanju. Ako je prljav, uklonite ga i očistite.
 - ▶ Da biste očistili element filtera za penast vazduh operite ga kućnim deterdžentom i toplom vodom i ostavite da se osuši. Zatim ga natopite čistim zasićenim uljem motora i nežno iscedite višak ulja. Ako je potrebno, zamenite ga novim.
 - ▶ Da biste očistili element filtera za papirni vazduh, očistite laganu prljavštinu tako što ćete je nežno zalepiti nekoliko puta na tvrdu površinu i

zameniti ako je prisutna teška prljavština.

3. Očistite unutrašnjost omoćača filtera za vazduh i pokrijte od prljavštine mekom krpom. Ako je motor opremljen filterom vazduha tipa uljane kupke, zamenite ulje novim uljem motora.
4. Ponovo instalirajte element filtera vazduha i sledite obrnutu proceduru kako biste vratili u poziciju poklopac filtera vazduha.

UPOZORENJE

Nikada ne čistite filter vazduha zapaljivim ili niskim deterdžentima sa fleš tačkom kako biste izbegli rizik od požara ili eksplozije.

BELEŠKE

Ako motor često radi pod prašnjavim ili drugim teškim okolnostima, očistite filter vazduha na svakih 10 sati i dodajte mu promenu ulja sa novim. Ako je potrebno, menjajte element filtera vazduha na svakih 25 sati.

SVEĆICA

Da biste održali svećice (Sl. 23.4):

1. Uklonite priključak za svećice (Sl. 23.1) da biste pristupili svećici (Sl. 23.2).
2. Koristite odgovarajuću alatku za svećice (Sl. 23.3) da biste pažljivo uklonili svećice.
3. Proverite stanje svećice i njene elektrode. Mora biti isto, a ne poštećeno. Proverite da li je razmak između 0,7 i 0,8mm. Zamenite svećice novim, ako je potrebno.
4. Pažljivo priključite svećicu na motor ručno.
5. Kada se koncem zategne, koristite odgovarajući alat za svećice da biste zategli svećicu, obraćajući pažnju da ne koristite prekomernu silu koja oštećuje konce.
6. Ponovo priložite poklopac svećice.

UPOZORENJE

Nikada ne dozvolite prljavštini ili krhotinama da uđu u cilindar. Pre uklanjanja svećice temeljno očistite svećicu i područje glave cilindra.

TALOG OD GORIVA

UPOZORENJE

Održavajte karburator goriva samo na otvorenom i u dobro provetrenim delovima. Pobrinite se da u odgovarajućoj posudi uhvatite isušeno gorivo i obrišete svako prosuto gorivo.

Za održavanje taloga za gorivo:

1. Okrenite ventil za gorivo (Sl. 24.1) na poziciju "OFF".
2. Uklonite talog za gorivo karburatora (Sl. 24.3) svojim gumenim prstenom za foke (Sl. 24.2).
3. Uklonjene delove operite u rastvaraču, temeljno ih osušite.

UPOZORENJE

Nikada ne čistite talog za gorivo zapaljivim ili niskim deterdžentima sa fleš tačkom kako biste izbegli rizik od požara ili eksplozije.

4. Gumeni prsten za foke zamenite novim ako je potrebno.
5. Ponovo instalirajte gumeni prsten za foke i sedimntnu šolju i obezbedite na položaju.
6. Okrenite ventil za gorivo na "ON" poziciju i proverite da li ima curenja goriva.

FILTER ZA GORIVO

Rezervoar za gorivo može biti opremljen filterom, u zavisnosti od modela Tiler, koji se nalazi na zatvaraču rezervoara za gorivo. Filter za gorivo može da se izabere i treba ga povremeno proveravati. Ako je filter prljav, očistite ga i zamenite novim po potrebi. U slučaju da je unutrašnjost rezervoara prljava, može se očistiti ispiranjem rezervoara za gorivo čistim benzinom.

ČIŠĆENJE

Koristite malu meku četku za čišćenje spoljašnjosti jedinice. Ne koristite jake deterdžente. Čistači domaćinstava koji sadrže aromatična ulja kao što su bor i limun i rastvarači kao što je kerozin mogu da oštete plastična kućište ili dršku. Obrišite svaku vlagu mekom krpom. Tine i brani se mogu očistiti vodom pomoću baštenskog creva.

SKLADIŠTENJE UPOZORENJE

Nikada ne skladištite jedinicu sa gorivom u rezervoaru i uvek dozvolite jedinici da se ohladi pre skladištenja. Jedinicu čuvajte samo u suvim i dobro provetrenim delovima.

U slučaju da će jedinica biti uskladištena duže vreme, koristite sledeću proceduru skladištenja:

1. Isušite svo gorivo iz rezervoara.
2. Okrenite ventil za gorivo na "OFF" poziciju. Uklonite utikač za odvod karburatora (Sl. 24.4) i veću (Sl. 24.5). Pobrinite se da u odgovarajućoj posudi uhvatite isušeno gorivo i obrišete svako prosuto gorivo. Ovim se obezbeđuje da se svo gorivo iscedi iz karburatora.
3. Zamenite ulje motora novim.
4. Zamenite ulje filtera vazduha novim, ako je filter vazduha tip uljane kupke.
5. Uklonite svećicu i stavite 30 ml visokokvalitetnog motornog ulja u cilindar. Polako povucite starter kanap da biste distribuirali ulje, a zatim ponovo instalirajte svećice.
6. Temeljno očistite jedinicu i proverite da li ima labavih ili oštećenih delova. Popravite ili zamenite oštećene delove i zategnite labave šrafove, orahe ili šrafove.
7. Podmazujte sve delove potrebne vlažnom krpom za ulje da biste izbegli izgrađenu rđu.

ZAŠTITA ŽIVOTNE SREDINE

Reciklirajte sirovine umesto da odlažete kao otpad. Mašina, pribor i ambalaža treba da se sortiraju za reciklažu pogodnu za životnu sredinu. Plastične komponente su označene za kategorizovanu reciklažu.

Odložite polovno motorno ulje i kontejnere na način koji je kompatibilan sa okolinom. Predlažemo da ga odnesete u zapečaćenoj posudi u vaš lokalni reciklažni centar ili servisnu stanicu radi reklamacije. Nemojte ga bacati u smeće, sipati na zemlju ili sipati u odvod.

GARANCIJE

Ovaj proizvod je garantovan u skladu sa zakonskim / državnim propisima, koji stupaju na snagu od dana kupovine od strane prvog korisnika. Šteta koja se može pripisati normalnom habanomu i cedanju, preopterećenju ili nepravilnom rukovanju biće isključena iz garancije. U slučaju zahteva, pošaljite mašinu, potpuno okupljenu, vašem dileru ili zvaničnom servisnom centru.

HRVATSKI

OPĆA UPOZORENJA O SIGURNOSTI

Prije uporabe ovog proizvoda pročitajte i razumite ovaj priručnik za upotrebu. Sprječiti nesreće možete pomoći upoznavanjem kontrola vašeg proizvoda i poštivanjem sigurnih radnih postupaka i sigurnosnih znakova. Uvijek koristite zdrav razum kako biste izbjegli sve situacije koje se smatraju izvan vaših mogućnosti. Ne koristiti dok ste umorni ili pod utjecajem droga, alkohola ili bilo kojih drugih lijekova. Držite prolaznike i životinje koje bi mogle biti ozlijeđene, kao i predmete koji bi mogli biti oštećeni, podalje tijekom rada. Nikada ne dopustite djeci ili ljudima koji nisu upoznati s ovim uputama da koriste proizvod. Lokalni zakoni mogu ograničiti minimalnu dob operatera. Imajte na umu da je operater ili korisnik odgovoran za nesreće ili neočekivane događaje koji se događaju drugim ljudima, životinjama ili njihovoj imovini. Ne izlažite proizvod prekomjernoj vlazi, prašini, prljavštini ili korozivnim parama. Nemojte montirati opremu ili dodatke na stroj koji nisu predviđeni ili odobreni od strane proizvođača. Nikada ne pokušavajte modificirati proizvod. Neovlaštene preinake ili dodaci mogu dovesti do ozbiljnih tjelesnih ozljeda ili smrti operatera ili drugih. Za demontažu i servis, koji nisu obuhvaćeni ovim priručnikom, obratite se ovlaštenom dobavljaču. Ako se tijekom rada nešto pokvari ili se dogodi nesreća, odmah isključite stroj i odmaknite ga kako biste spriječili daljnje oštećenje. U slučaju da je strano tijelo ušlo u stroj, odmah ga zaustavite, pregledajte ga radi oštećenja i popravite prije ponovnog pokretanja.

ZAŠITNA OPREMA

Obavezno koristite prikladnu i certificiranu zaštitnu opremu prilikom upravljanja jedinicom. Uvijek nosite odjeću koja ne ometa pokrete, zaštitne rukavice, zaštitne naočale, respirator s polumaskom, zaštitu za uši i zaštitne čizme protiv smicanja na potklizajućim potplatima. Nikada nemojte nositi šalove, ogrlice ili bilo koji pribor za vješanje ili lepršanje koji bi se mogao zakačiti za stroj. Zavezite kosu ako je duga.

OPASNOSTI OD OTROVA

Radite samo na otvorenom i u dobro prozračenom prostoru. Tijekom rada motor ispušta otrovni ugljični monoksid, plin bez mirisa i boje. Udisanje ugljičnog monoksida uzrokovat će mučninu, nesvjesticu ili smrt. Nemojte rukovati strojem u zatvorenom prostoru gdje se mogu stvoriti opasne isparenja ugljičnog monoksida ili u blizini otvorenih prozora.

gorivo i ulje su izuzetno otrovni. Ne udisati plinove koji isparavaju gorivo i uvijek nositi odgovarajuću zaštitnu opremu kada rukujete njima. Uvijek skladištite gorivo i ulje u odobrenim spremnicima i odlažite odgovorno.

OPASNOSTI OD POŽARA I OŽIGA

Neki se dijelovi stroja dovoljno zagriju da zapale

zapaljive materijale. Ne koristiti na područjima s visokim rizikom od požara. Nemojte usmjeravati prigušivač zvuka, a time i ispušne plinove prema zapaljivim materijalima.

Neki se dijelovi stroja dovoljno zagriju da izazovu opekotine. Pazite da ih ne dodirujete kako se ne biste opekli. Prije spremanja pustite da se stroj ohladi.

Benzin i ulje su zapaljivi. Slijedite upute svakog proizvođača prije uporabe. Potencijalne izvore požara ili iskre uvijek treba držati podalje. Ne pušite u blizini stroja niti bilo kakvog goriva i ulja. Točite gorivo samo na otvorenom, u dobro prozračenom prostoru, uz isključen motor. Polako otvorite spremnik za gorivo kako bi se tlak u unutrašnjosti postupno smanjivao. Nemojte previše napuniti spremnik za gorivo. Pazite da postoji neka udaljenost između rezervnog spremnika za gorivo i jedinice kako biste spriječili nepotrebnu opasnost. Prije pokretanja motora provjerite je li obrisano gorivo i ulje.

Ako se dogodi požar, upotrijebite odgovarajući uređaj za gašenje požara, posebno dizajniran za vatru na naftu i benzin.

SIGURNOSNA UPOZORENJA KATEGORIJE

SIGURAN RAD

Sve operativne poluge stroja moraju se lako premještati iz jednog položaja u drugi i ne smiju trebati prisiljavanje. Poluge kvačila i unatrag (gdje je to primjenjivo) moraju se automatski i brzo vratiti u neutralni položaj. Električni kabeli, a posebno kabel svjećice moraju biti u savršenom stanju kako bi se izbjeglo stvaranje iskre, a poklopac svjećice mora biti pravilno postavljen na svjećicu. Držači i zaštitni uređaji moraju biti čisti i suhi, kao i sigurno pričvršćeni na stroj.

Uvijek provjerite ima li predmeta koji mogu blokirati zaslon za usis zraka prije početka rada. Začepljeni usis zraka smanjuje performanse stroja i povećava radnu temperaturu motora, što može rezultirati otkazom motora.

Obavezno zaustavite motor:

- ▶ Prilikom montiranja ili uklanjanja dodatne opreme.
- ▶ Kada se krećete između radnih područja ili iznad popločenih područja i prizemnih prepreka.
- ▶ Kad god stroj ostavite bez nadzora.
- ▶ Tijekom punjenja gorivom.
- ▶ Tijekom čišćenja ili održavanja.
- ▶ Tijekom prijevoza.
- ▶ Prije skladištenja.

OPASNOSTI OD ROTIRANJA DIJELOVA

Rotirajući dijelovi mogu prouzročiti ozbiljne ozljede. Izbjegavajte kontakt rotirajućih dijelova dok su još u rotaciji. Nikada ne stavljajte ruke ili noge u tijelo pumpe dok motor radi. Nikada nemojte raditi s motorom s rastavljenim tijelom pumpe.

OPASNOSTI OD BUKE I VIBRACIJA

Razine buke i vibracija prikazane u ovim uputama maksimalne su razine za korištenje stroja. Nedovoljno održavanje ima značajan utjecaj na vibracije

i emisiju buke. Slijedom toga, potrebno je poduzeti preventivne korake kako bi se eliminirale moguće štete zbog visoke razine buke i stresa od vibracija. Dobro održavajte stroj, nosite uređaje za zaštitu ušiju, antivibracijske rukavice i pravite pauze tijekom rada. Tijekom radnog dana praviti ćete česte i odgovarajuće pauze kako biste spriječili oštećenja od vibracija i oštećenja ušiju.

OPASNOSTI NA RADNOM PODRUČJU

Temeljito pregledajte cijelo radno područje i uklonite sve što stroj može projicirati, predstavljati opasan izvor ili oštetiti stroj (kamenje, grane, željezna žica, kosti itd.). Provjerite nema li slučajnih prolaznika, životinja ili predmeta koji bi mogli biti oštećeni na najmanje 15 metara od dometa djelovanja stroja.

Radite samo na dnevnom svjetlu ili s prikladnom umjetnom svjetlošću, u uvjetima dobre vidljivosti. Pokušajte ne uzrokovati nikakve smetnje bukom, koristeći ovaj stroj samo u razumno doba dana. Zauzmite čvrst i uravnotežen položaj. Gdje god je to moguće, izbjegavajte raditi na mokrom, skliskom tlu ili u svakom slučaju na neravnom ili strmom terenu koji ne garantira stabilnost rukovatelja ili odgovarajuće uvjete rada stroja.

PREOSTALE OPASNOSTI

Stroj je izrađen primjenom moderne tehnologije i u skladu s priznatim sigurnosnim pravilima. Čak i kada su na snazi sve sigurnosne mjere, mogu postojati neke preostale opasnosti, koje još nisu evidentne. Operater treba koristiti zdrav razum i poduzeti potrebne mjere predostrožnosti kako bi izbjegao rizik zbog preostalih opasnosti.

SPECIFIKACIJE PROIZVODA

NAMJENA KORIŠTENJA

Ovaj je stroj dizajniran i proizveden za prijenos vode npr. u staklenicima, voćnjacima, vrtovima. Pumpe za čistu vodu i visoki pritisak dizajnirane su za pumpanje samo čiste vode. Kemijske pumpe dizajnirane su za pumpanje čiste vode, baze slabe kiseline (PH 4-11) i tekućina s visokom temperaturom paljenja ili morske vode. Polu-otpadne (kanalizacijske) pumpe dizajnirane su za pumpanje čiste vode ili vode koja sadrži meke krute tvari promjera ne većeg od 25,4mm. Pumpe za smeće (blato) dizajnirane su za pumpanje čiste vode ili vode koja sadrži krutine promjera ne većeg od 25,4mm do stupnja do 50%.

Svaka druga upotreba koja se razlikuje od gore spomenute može biti opasna, naštetiti ljudima i oštetiti stvari i sam stroj.

NEPRAVILNA UPOTREBA

Stroj se ne smije koristiti za pumpanje opasnih tvari, npr. nakupljanje zapaljivih ili eksplozivnih proizvoda, vrućeg žara ili materijala za izgaranje bez plamena, zapaljenih cigareta, stakla, oštarih predmeta, metalnih predmeta, kamenja i bilo kojeg drugog predmeta koji bi mogao biti opasan za sam stroj, kao i za rukovaoca, prolaznike, životinje ili imovine.

Ostali primjeri nepravilne uporabe mogu uključivati, ali nisu ograničeni, na rad stroja:

- ▶ Bez originalnog pribora koji je isporučio proizvođač.
- ▶ S originalnim dodacima, ali na način koji nije u skladu s uputama.
- ▶ Bez originalnih rezervnih dijelova.
- ▶ Uz neovlaštene preinake.
- ▶ Više osoba.

TEHNIČKI PODACI STRANICA 88

IDENTIFIKACIJA

GWP 40/79 PLUS (Sl. 1)

1. Poklopac spremnika za gorivo
2. Spremnik za gorivo
3. Držač startera
4. Poluga gasa
5. Zračni filter
6. Prekidač za gorivo
7. Poluga prigušnice
8. Transportna ručka
9. Svječica
10. Šal
11. Poklopac za punjenje pumpe
12. Usisni otvor (ulaz)
13. Ispusni čep pumpe
14. Čep za ispuštanje motornog ulja
15. Šipka za mjerenje motornog ulja
16. Ispusni otvor (izlaz)
17. Prekidač ON / OFF

GWP 50/209 PLUS, GWP 50/212 PRO, GWP 80/212 PRO (Sl. 2)

1. Okvir
2. Poklopac za punjenje pumpe
3. Ispusni otvor (izlaz)
4. Prekidač ON / OFF
5. Šipka za mjerenje motornog ulja
6. Držač startera
7. Poklopac spremnika za gorivo
8. Zračni filter
9. Šal
10. Čep za ispuštanje motornog ulja
11. Ispusni čep pumpe
12. Usisni otvor (ulaz)
13. Spremnik za gorivo

GWP 80/212 ST PRO (Sl. 3)

1. Okvir
2. Poklopac za punjenje pumpe
3. Vijak poklopca pumpe T-tipa
4. Prekidač ON / OFF
5. Šipka za mjerenje motornog ulja
6. Čep za ispuštanje motornog ulja
7. Držač startera
8. Spremnik za gorivo
9. Poklopac spremnika za gorivo
10. Zračni filter
11. Šal
12. Ispusni čep pumpe
13. Usisni otvor (ulaz)
14. Ispusni otvor (izlaz)

GWP 80/301 FT PRO (Sl. 4)

1. Okvir
2. Ispusni otvor (izlaz)
3. Prekidač ON / OFF
4. Šipka za mjerenje motornog ulja
5. Čep za ispuštanje motornog ulja
6. Držač startera
7. Spremnik za gorivo
8. Poklopac spremnika za gorivo
9. Zračni filter
10. Šal
11. Gumb poklopca pumpe
12. Ispusni čep pumpe
13. Usisni otvor (ulaz)
14. Poklopac za punjenje pumpe

**GWP 50/212 H PRO,
GWP 50/389 H PRO (Sl. 5),
GWP 50/212 H2 PRO (Sl. 6)**

1. Okvir
2. Ispusni otvor (izlaz)
3. Prekidač ON / OFF
4. Šipka za mjerenje motornog ulja
5. Čep za ispuštanje motornog ulja
6. Držač startera
7. Spremnik za gorivo
8. Poklopac spremnika za gorivo
9. Zračni filter
10. Šal
11. Ispusni čep pumpe
12. Usisni otvor (ulaz)
13. Poklopac za punjenje pumpe

**GWP 50/212 CH PRO,
GWP 80/212 CH PRO (Sl. 7)**

1. Okvir
2. Poklopac za punjenje pumpe
3. Prekidač ON / OFF
4. Šipka za mjerenje motornog ulja
5. Čep za ispuštanje motornog ulja
6. Držač startera
7. Spremnik za gorivo
8. Poklopac spremnika za gorivo
9. Zračni filter
10. Šal
11. Ispusni čep pumpe
12. Usisni otvor (ulaz)
13. 1 Otvor za ispuštanje (izlaz)

OPERACIJA**PRIPREMA**

Raspakiranje i dovršavanje sklopa treba obaviti na ravnoj i stabilnoj površini, s dovoljno prostora za pomicanje stroja i njegove ambalaže, uvijek koristeći prikladnu opremu. Montažu treba izvesti obučeno osoblje u vašoj najbližjoj prodavaonici, ako je potrebno.

Punjenje gorivom i podmazivanje**UPOZORENJE**

Stroj se isporučuje bez ulja i goriva.

Ovaj je proizvod opremljen četverotaktnim motorom, što znači da se benzin treba koristiti u motoru za gorivo, a motor treba napuniti uljem.

Specifikacije goriva: bezolovni benzin ili 90 oktana više.

Kapacitet spremnika za gorivo: pogledajte "TABELA TEHNIČKIH PODATAKA"

Za punjenje stroja gorivom:

1. Uklonite poklopac spremnika za gorivo.
2. Dodajte gorivo u gornju razinu spremnika za gorivo. Ostavite najmanje 5 mm prostora između vrha goriva i unutarnjeg ruba spremnika kako biste omogućili širenje. Polovina duljine poklopca filtra spremnika za gorivo (Sl. 9) može također raditi kao gornji znak razine goriva, ako je dostupan.
3. Vratite poklopac spremnika za gorivo i prikladno zategnite.

UPOZORENJE

Uvijek koristite čistu posudu za spremanje goriva i ne koristite gorivo dulje od mjesec dana.

Specifikacije ulja: Za opću upotrebu (5°C - 38°C) preporučeno ulje je četverotaktno motorno ulje SAE 10W30 (Sl. 8).

Kapacitet motornog ulja: pogledajte "TABELA TEHNIČKIH PODATAKA"

Za punjenje motora uljem:

1. Skinite poklopac rezervoara za ulje (Sl. 10.1) s vrata za punjenje motornog ulja (Sl. 10.2). Donji dio je indikator razine ulja.
2. Postupno dodajte dovoljno ulja da dovede razinu ulja na rub vrata za punjenje ulja, do gornje razine (Sl. 10.3), a ne niže od donje razine (Sl. 10.4).
3. Vratite poklopac za ulje i privijte ga na odgovarajući način.

UPOZORENJE

Upotrijebite lijevak kako biste izbjegli izlivanje goriva ili ulja. Prije pokretanja motora obrišite proliveno gorivo i ulje.

Izbor pumpe

Prikladni model pumpe treba odabrati prvo prema tekućini za pumpanje, a zatim prema specifičnim potrebama uređaja koji će se koristiti. Iskusni inženjer trebao bi vas moći voditi pravilnim izračunavanjem specifičnih potreba postavljanja za koje planirate koristiti pumpu. Nakon što se procijene potrebni podaci o protoku i podizanju glave, pomoću grafikona performansi (Sl. 25-34) možete odabrati najprikladniji model pumpe.

Postavljanje jedinice

Jedinicom treba raditi na stabilnom i ravnom terenu kako bi se izbjegla oštećenja jedinice i kako bi mogla postići maksimalne performanse. U idealnom slučaju pumpa bi trebala biti postavljena blizu razine izvora vode, a vi biste trebali koristiti crijeva koja nisu duža od potrebnih za posao. Duljina, vrsta i veličina usisnih i ispušnih crijeva mogu značajno utjecati na učinak pumpe. Također imajte na umu da se s povećanjem usisne glave (Sl. 11.2) ili ispusne glave (Sl. 11.3), što rezultira povećanjem ukupne visine (Sl. 11.1), smanjuje učinak pumpe. Minimiziranje usisne glave postavljanjem pumpe blizu razine vode također je vrlo važno za smanjenje vremena samousisavanja.

Ugradnja usisnog crijeva

Za ugradnju usisnog crijeva (Sl. 12.6) na usisni otvor crpke (Sl. 12.1) upotrijebite brtvu (Sl. 12.2), priključak crijeva (Sl. 12.3), stezaljku priključka crijeva (Sl. 12.4) i crijevo stezaljke (Sl. 12.5) kako je prikazano na slici 12. Preporučuje se da koristite usisno crijevo promjera istog kao i usisni otvor kako biste izbjegli gubitak svojstava zbog trenja vode s unutarnjom stranom zidova crijeva ili poremećaja protoka. Na drugi kraj usisnog crijeva (Sl. 13.3) ugradite cje-dilo (Sl. 13.1) pomoću stezaljke za cijev (Sl. 13.2) kako je prikazano na slici Sl. 13. Sito će pomoći spriječiti začepljenje ili oštećenje crpke bilo kojim otpadom sadržanim u vodi za pumpanje.

Ugradnja ispusnog crijeva

Za ugradnju ispusnog crijeva (Sl. 14.3) na otvor za ispuštanje crpke (Sl. 14.2) upotrijebite brtvu, priključak za cijev, stezaljku za priključak za cijev i stezaljku za cijev (Sl. 14.2) kako je prikazano na slici 14. To je preporučuje se da koristite ispusno crijevo promjera istog kao i ispušni otvor kako biste izbjegli gubitak performansi zbog trenja vode s unutarnjom stranom zidova crijeva ili poremećaja protoka. Čvrsto zategnite stezaljku crijeva kako biste spriječili odvajanje crijeva za pražnjenje pod visokim tlakom.

Punjenje pumpe

Unutar kućišta pumpe mora se napuniti čistom vodom prije pokretanja motora.

UPOZORENJE

Crpka nikada ne smije raditi suho kako ne bi došlo do oštećenja brtvila i rotirajućih dijelova pumpe zbog visoke temperature i trenja.

Za punjenje pumpe:

1. Uklonite poklopac za punjenje pumpe (Sl. 15.1).
2. Napunite pumpu čistom vodom (Sl. 15.2).
3. Vratite poklopac za punjenje pumpe i privijte ga na odgovarajući način.

POKRETANJE JEDINICE

Prije pokretanja stroja:

1. Provjerite jeste li i stroj i jeste li na stabilnom tlu.
2. Provjerite jesu li svi pričvršćivači učvršćeni u svom položaju.
3. Pripremite usisna i ispusna crijeva i provjerite jesu li pravilno montirani.
4. Provjerite je li zračni filtar čist te da usis i ispuh zraka nisu začepljeni stranim materijalima.
5. Napunite potrebnu količinu ulja i goriva.
6. Napunite pumpu.

Da biste pokrenuli stroj:

1. Pomaknite ručicu ventila za gorivo (Sl. 16.1) u položaj "ON".
2. Pomaknite ručicu prigušnice (Sl. 17.1) u položaj "CHOKE".

BILJEŠKA

Ovaj se korak odnosi samo na hladno pokretanje motora. Kad je motor već topao ili je temperatura okoline visoka, poluga prigušnice cijelo vrijeme treba biti u položaju „RUN“.

3. Pomaknite prekidač ON / OFF u položaj "ON" (Sl. 18.1).
4. Pomaknite ručicu gasa (Sl. 19.1) za 1/3 puta prema položaju "A" (velika brzina).

5. Lijevom rukom čvrsto uhvatite ručku stroja, a desnom rukom pokretača (Sl. 20.2) motora. Povucite držač startera dok ne osjetite otpor za uključivanje motora, a zatim čvrsto povucite za pokretanje motora.

UPOZORENJE

Da biste izbjegli pucanje užeta za pokretanje (Sl. 20.1), nemojte ga povlačiti cijelom dužinom niti pustiti da klizi duž ruba rupe za vodiču kabela. Otpuštajte pokretač postupno, kako biste izbjegli da nekontrolirano leti unatrag.

6. Kako se motor zagrijava, postupno pomičite ručicu prigušnice u položaj „RUN“, ako je motor bjo hladan.

BILJEŠKA

Za maksimalne performanse i pouzdanost, dopustite da se motor zagrije prije rada s punim opterećenjem, radeći ga dvije do tri minute u praznom hodu.

7. Nakon što se motor zagrije, pomaknite ručicu leptira za gas u položaj "A" (velika brzina) radi samo usisavanja i provjerite snagu pumpe.

UPRAVLJANJE JEDINICOM

Poluga gasa

Izlazni protok kontrolira se podešavanjem broja okretaja motora pomicanjem ručice leptira za gas između položaja „A“ (velika brzina) i „B“ (mala brzina). Povećavanjem broja okretaja motora povećava se izlazni protok crpke. Smanjivanjem broja okretaja motora smanjuje se izlazni protok crpke.

ZAUSTAVLJANJE JEDINICE

Da biste zaustavili stroj:

1. Smanjite brzinu motora pomicanjem ručice leptira za gas u položaj "B" (mala brzina).
2. Pomaknite prekidač ON / OFF u položaj "OFF" (Sl. 18.2).
3. Pomaknite ručicu ventila za gorivo u položaj "ISKLUČENO".
4. Uklonite čep za ispuštanje pumpe i osušite komoru tijela pumpe na suho.
5. Uklonite poklopac za punjenje pumpe i isperite komoru tijela pumpe čistom vodom kako biste uklonili ostatke ispumpane vode ili strani materijal koji bi mogao oštetiti pumpu.
6. Ostavite da se sva voda odlije iz komore tijela pumpe.
7. Ponovno postavite poklopac za punjenje pumpe i ispušni čep pumpe na mjesto i prikladno zategnite.

ODRŽAVANJE I ČIŠĆENJE

UPOZORENJE

Nikada nemojte raditi održavanje ili čišćenje dok uređaj radi. Uvijek radite na hladnoj jedinici. Prije čišćenja ili održavanja, odvojite poklopac svječiće i pročitajte odgovarajuće upute. Uvijek nosite odgovarajuću odjeću i zaštitne rukavice kad god su vam ruke u opasnosti.

Bilo koja podešavanja ili postupke održavanja koji nisu opisani u ovom priručniku mora izvršiti vaš prodavač ili specijalizirani servisni centar s potrebnim znanjem i opremom kako bi se osiguralo da se

radovi pravilno odrađavajući izvornu razinu sigurnosti stroja. Bilo koji postupak izveden u neovlaštenim centrima ili od strane neovlaštenih osoba potpuno će poništiti jamstvo i sve obveze i odgovornosti proizvođača.

Sve matice i vijke dobro pričvrstite kako biste bili sigurni da je stroj uvijek u sigurnom radnom stanju. Rutinsko održavanje neophodno je za sigurnost i za održavanje razine visokih performansi.

UPOZORENJE

Nikada nemojte koristiti stroj s istrošenim ili oštećenim dijelovima. Neispravni ili istrošeni dijelovi moraju se uvijek mijenjati i ne popravljati. Koristite samo originalne rezervne dijelove.

RASPORED ODRŽAVANJA

Predmeti		Frekvencija					
		Prije svake upotrebe	Nakon prvog mjeseca ili prvih 20 sati rada	Svaka 3 mjeseca ili 50 sati rada	Svaki 12 mjeseci ili 100 sati rada	Svaka 24 mjeseca ili 250 sati rada	
Kompletna jedinica	Vizualni Inspekcija	✓					
Kontrolne ručke	Ček Operacija	✓					
Odvodnik iskre (ako je dostupno)	Ček			✓*			
Ulje motora	Ček - Ponovno punjenje	✓					
	Zamijeniti		✓	✓			
Zračni filter	Ček	✓					
	Čist		✓				
	Zamijeniti			✓			
Svjedica	Ček - Prilagodi		✓		✓*		
Vod za gorivo i filtrirati	Ček - Čist**				✓*		
Spremnik za gorivo	Ček - Čist**					✓*	
Šalica za polog (ako je dostupno)	Čist		✓	✓			
Ventil klirens	Ček - Adjust**				✓		
Komora za izgaranje	Ček - Čist**						✓*

* Ove stavke treba zamijeniti ako je potrebno.

** Ove postupke smije izvoditi samo ovlašten prodavač koji ima odgovarajuće alate i potrebne mehaničke vještine.

MOTORNO ULJE

UPOZORENJE

Provjeru razine i zamjenu ulja treba obaviti na čvrstom i ravnom tlu. Motor se mora stalno zaustavljati. Ako je motor radio, bit će vruć, a postupak treba obaviti pažljivo i uz potrebne mjere opreza kako bi se izbjegla opasnost od opekline.

BILJEŠKA

Ispustite iskorišteno ulje dok je motor topao. Toplo ulje brzo i potpuno se odvodi.

Da biste provjerili razinu ulja:

1. Skinite poklopac rezervoara za ulje (Sl. 21.6) s vrata za punjenje motornog ulja (Sl. 21.1).
2. Provjerite razinu ulja. Razina ulja trebala bi dosegnuti rub (Sl. 21.7) vrata za punjenje ulja. Ako je potrebno, dodajte dovoljno ulja da dovede razinu ulja na rub vrata za punjenje ulja, do gornje razine (Sl. 10.3), a ne niže od donje razine (Sl. 10.4).
3. Vratite poklopac za ulje i privijte ga na odgovarajući način.

Da biste promijenili ulje:

1. Skinite poklopac za ulje s vrata za punjenje motornog ulja.
2. Postavite prikladnu posudu (Sl. 21.3) ispod rupe za ispuštanje ulja (Sl. 21.2) kako biste uhvatili iskorišteno ulje.
3. Uklonite čep za ispuštanje ulja (Sl. 21.4) i podlošku (Sl. 21.5) kako bi se ulje potpuno ispraznilo.
4. Postavite čep za ispuštanje ulja s podloškom i prikladno zategnite.
5. Postupno dodajte dovoljno ulja da dovede razinu ulja na rub vrata za punjenje ulja, do gornje razine (Sl. 10.3), a ne niže od donje razine (Sl. 10.4).
6. Vratite poklopac za ulje i privijte ga na odgovarajući način.

BILJEŠKA

Ako motor često radi u izuzetno prašnjavim ili drugim teškim okolnostima, mijenjajte motorno ulje svakih 25 sati.

UPOZORENJE

Pri pokretanju motora niska razina ulja prouzročit će oštećenje motora.

ZRAČNI FILTER

UPOZORENJE

Upravljanje motorom bez pročištača zraka ili s oštećenim pročištačem zraka omogućit će nečistoći da uđe u motor, uzrokujući brzo trošenje motora.

Da biste provjerili, očistili ili promijenili zračni filter:

1. Uklonite poklopac zračnog filtra (Sl. 22.1).
2. Osigurajte da element zračnog filtra (Sl. 22.2) ne sadrži prljavštinu i da je u dobrom stanju. Ako je prljav, uklonite je i očistite.
 - Da biste očistili pjenasti element zračnog filtra, operite ga kućnim deterdžentom i vrućom vodom i pustite da se osuši. Zatim ga namočite u čisto zasićeno motorno ulje i lagano istisnite višak ulja. Ako je potrebno, zamijenite ga novim.
 - Da biste očistili papirnati element zračnog filtra, očistite lagano nečistoću nježnim nalijepljenjem nekoliko puta na tvrdnu površinu i zamijenite je ako je prisutna jaka nečistoća.
3. Očistite unutrašnjost kućišta zračnog filtra i pokrijte ga od prljavštine mekom krpom. Ako je motor opremljen zračnim filterom tipa uljne kupke,

zamijenite ulje novim motornim uljem.

4. Vratite element zračnog filtra i slijedite postupak obrnutim postupkom kako biste vratili poklopac zračnog filtra.

UPOZORENJE

Nikada ne čistite zračni filter zapaljivim deterdžentima ili deterdžentima s malo točke plamišta kako biste izbjegli rizik od požara ili eksplozije.

BILJEŠKA

Ako motor često radi pod prašinom ili drugim teškim okolnostima, očistite zračni filter svakih 10 sati i dodajte mu ulje s novim. Ako je potrebno, mijenjajte element zračnog filtra svakih 25 sati.

SVJEĆICA

Za održavanje svjeće (Sl. 23.4):

1. Uklonite poklopac svjeće (Sl. 23.1) da biste uputili svjeću (Sl. 23.2).
2. Upotrijebite odgovarajući alat za svjeću (Sl. 23.3) kako biste pažljivo uklonili svjeću.
3. Pregledajte stanje svjeće i njene elektrode. Mora biti čisto i ne nositi. Provjerite je li razmak svjeće između 0,7 i 0,8 mm. Po potrebi zamijenite svjeću novom.
4. Pažljivo ručno utaknite svjeću u motor.
5. Nakon navoja upotrijebite odgovarajući alat za svjeću da zategnete svjeću, pazite da ne upotrebljavate prekomjernu silu koja oštećuje navoje.
6. Ponovno postavite poklopac svjeće.

UPOZORENJE

Nikada ne dopustite da prljavština ili smeće uđu u otvor cilindara. Prije uklanjanja svjeće, temeljito očistite svjeću i područje glave motora.

ŠALA ZA SEDIMENT GORIVA

UPOZORENJE

Karburator za gorivo održavajte samo na otvorenom i u dobro prozračenim prostorima. Pazite da istrošeno gorivo uhvatite u odgovarajući spremnik i obrišete proliveno gorivo.

Za održavanje čaše za talog goriva:

1. Okrenite ventil za gorivo (Sl. 24.1) u položaj "ISKLUČENO".
2. Uklonite čašu sedimenta goriva rasplinjača (Sl. 24.3) s gumenim brtvenim prstenom (Sl. 24.2).
3. Oprati uklonjene dijelove u otapalu, temeljito ih osušiti.

UPOZORENJE

Nikada ne čistite posudu za taloženje goriva zapaljivim deterdžentima ili deterdžentima s malo točke plamišta kako biste izbjegli rizik od požara ili eksplozije.

4. Po potrebi zamijenite gumeni brtveni prsten novim.
5. Vratite gumeni brtveni prsten i čašu za sediment i učvrstite na svom položaju.
6. Okrenite ventil za gorivo u položaj "ON" i provjerite ima li curenja goriva.

FILTER GORIVA

Spremnik za gorivo može biti opremljen filtrom, ovisno o modelu ručice, koji se nalazi na poklopcu spremnika za gorivo. Filter za gorivo može se odabrati i treba ga povremeno provjeravati. Ako je filter prljav, očistite ga i po potrebi zamijenite novim. U slučaju da je unutrašnjost spremnika za gorivo zapr-

jana, može se očistiti ispiranjem spremnika za gorivo čistim benzinom.

ČIŠĆENJE

Upotrijebite malu mekanu četku za čišćenje vanjske strane jedinice. Ne koristite jake deterdžente. Sredstva za čišćenje u domaćinstvu koja sadrže aromatična ulja poput bora i limuna te otapala poput kerozina mogu oštetiti plastično kućište ili dršku. Obrišite vlagu mekom krpom. Zupci i bokobrani mogu se očistiti vodom pomoću vrtlog crijeva.

SKLADIŠTENJE

UPOZORENJE

Nikada nemojte skladištiti jedinicu s gorivom u spremniku i uvijek je ostavite da se ohladi prije spremanja. Skladištite jedinicu samo na suhim i dobro prozračenim mjestima.

U slučaju da će se jedinica čuvati dulje vrijeme, upotrijebite sljedeći postupak skladištenja:

1. Ispustite sve gorivo iz spremnika za gorivo.
2. Okrenite ventil za gorivo u položaj "ISKLUČENO". Skinite ispušni čep rasplinjača (Sl. 24.4) i podlošku (Sl. 24.5). Pazite da istrošeno gorivo uhvatite u odgovarajući spremnik i obrišete proliveno gorivo. To osigurava ispuštanje cijelog goriva iz rasplinjača.
3. Zamijenite motorno ulje novim.
4. Zamijenite ulje zračnog filtra novim ako je zračni filter tip uljne kupke.
5. Izvadite svjeću i u cilindar stavite 30 ml visokokvalitetnog motornog ulja. Polako povucite uže za startanje da se ulje rasporedi, a zatim ponovno postavite svjeću.
6. Temeljito očistite jedinicu i pregledajte ima li labavih ili oštećenih dijelova. Popravite ili zamijenite oštećene dijelove i zategnite labave vijke, matice ili vijke.
7. Podmažite sve potrebne dijelove vlažnom krpom kako biste izbjegli nakupljanje hrđe.

ZAŠTITA OKOLIŠA

Reciklirajte sirovine, umjesto da ih odlažete kao otpad. Stroj, pribor i ambalažu treba razvrstati radi recikliranja prihvatljivog za okoliš. Plastične komponente su označene za kategoriziranu reciklažu.

Odloženo motorno ulje i spremnike odložite na način koji je kompatibilan s okolišem. Predlažemo da ga odnesete u zatvorenom spremniku u lokalni reciklažni centar ili benzinsku postaju na rekultivaciju. Nemojte ga bacati u smeće, sipati ga na zemlju ili sipati u odvod.

JAMSTVO

Ovaj je proizvod zajamčen u skladu sa zakonskim propisima / propisima specifičnim za državu, koji stupaju na snagu od datuma kupnje od strane prvog korisnika. Oštećenja koja se pripisuju uobičajenom trošenju, preopterećenju ili nepravilnom rukovanju bit će isključena iz jamstva. U slučaju potraživanja, pošaljite stroj, potpuno montiran, vašem prodavaču ili službenom servisnom centru.

ROMÂNĂ

AVERTISMENTE GENERALE DE SIGURANȚĂ

Citiți și înțelegeți acest manual al proprietarului înainte de a utiliza acest produs. Puteți ajuta la prevenirea accidentelor familiarizându-vă cu controlerul produsului dvs. și respectând proceduri de operare și semne de siguranță sigure. Folosește-ți întotdeauna bunul simț pentru a evita toate situațiile considerate dincolo de capacitatea ta. Nu utilizați în timp ce sunteți obosit sau sub influența drogurilor, a alcoolului sau a oricărui alt medicament. Păstrați cei din apropiere și animalele care ar putea fi rănite, precum și obiectele care ar putea fi deteriorate, la distanță în timpul funcționării. Nu permiteți niciodată copiilor sau persoanelor care nu sunt familiarizate cu aceste instrucțiuni să utilizeze produsul. Legile locale pot restricționa vârsta minimă a operatorului. Rețineți că operatorul sau utilizatorul este responsabil pentru accidente sau evenimentele neașteptate care apar la alte persoane, animale sau proprietatea acestora. Nu expuneți produsul la umiditate excesivă, praf, murdărie sau vapori corozivi. Nu montați echipamente sau accesorii pe mașină neprevăzute sau aprobate de producător. Nu încercați niciodată să modificați produsul. Modificările sau accesoriile neautorizate pot duce la vătămări corporale grave sau la moartea operatorului sau a altor persoane. Consultați distribuitorul autorizat pentru demontare și servicii, care nu sunt acoperite în acest manual. Dacă se rupe ceva sau apare un accident în timpul lucrului, opriți imediat mașina și îndepărtați-o pentru a preveni deteriorarea ulterioară. În cazul în care corpul străin a intrat în mașină, opriți-l imediat, inspecționați-l pentru eventuale deteriorări și faceți reparații înainte de a porni din nou.

ECHIPAMENT DE PROTECTIE

Asigurați-vă că utilizați echipament de protecție adecvat și certificat atunci când utilizați unitatea. Purtați întotdeauna îmbrăcăminte care nu împiedică mișcările, mănuși de protecție, ochelari de protecție, aparat de protecție cu jumătate de mască, protecție pentru urechi și cizme de siguranță antifoaarfecă cu tălpi antiderapante. Nu purtați niciodată eșarfe, coliere sau orice accesorii de îmbrăcăminte sau clapă și îmbrăcăminte care ar putea prinde în aparat. Legați-vă părul dacă este lung.

PERICOLURI DE OXICATIE

Operați numai în aer liber și în zone bine ventilate. Când funcționează, motorul evacuează monoxid de carbon otrăvitor, un gaz inodor și incolor. Inhalarea monoxidului de carbon va provoca greață, leșin sau moarte. Nu folosiți mașina într-un spațiu restrâns în care se pot dezvolta vapori periculoși de monoxid de carbon sau în apropierea ferestrelor deschise.

Combustibilul și uleiul sunt extrem de toxice. Nu inhalați gazele evaporative ale combustibilului și purtați întotdeauna echipament de protecție adecvat atunci când le manipulați. Depozitați

întotdeauna combustibilul și uleiul în recipiente aprobate și aruncați-le în mod responsabil.

PERICOLUL DE INCENDIU ȘI ARSURĂ

Unele părți ale mașinii se încălzesc suficient pentru a aprinde materiale inflamabile. A nu se utiliza în zone cu risc ridicat de incendiu. Nu direcționați amortizorul de zgomot și, prin urmare, gazele de eșapament către materiale inflamabile.

Unele părți ale mașinii se încălzesc suficient pentru a provoca daune arse. Acordați atenție să nu le atingeți pentru a evita arderea. Lăsați mașina să se răcească înainte de a o depozita.

Benzina și uleiul sunt inflamabile. Urmați instrucțiunile furnizate de fiecare producător înainte de utilizare. Sursele potențiale de foc sau scânteele trebuie ținute la distanță tot timpul. Nu fumați în apropierea mașinii sau a combustibilului și a uleiului. Realizați combustibil numai în aer liber, într-o zonă bine ventilată, cu motorul oprit. Deschideți încet rezervorul de combustibil pentru a permite presiunii din interior să scadă treptat. Nu umpleți prea mult rezervorul de combustibil. Asigurați-vă că există o anumită distanță între orice rezervor de benzină de rezervă și unitate, pentru a preveni pericolele inutile. Asigurați-vă că orice combustibil și ulei vărsat au fost șterse înainte de a porni motorul.

Dacă apare un incendiu, utilizați un stingător adecvat special conceput pentru incendii cu petrol și benzină.

AVERTISMENTE DE SIGURANȚĂ CATEGORIE

FUNCȚIONARE SIGURĂ

Toate părțile operaționale ale mașinii trebuie să se deplaseze cu ușurință dintr-o poziție în cealaltă și nu trebuie să fie forțate. Manetele ambreiajului și ale mersului înapoi (acolo unde este cazul) trebuie să revină automat și rapid înapoi în poziția neutră. Cablurile electrice și în special cablul bujiei trebuie să fie în stare perfectă pentru a evita generarea de scântee, iar capacul bujiei trebuie să fie montat corect pe bujie. Mănerile și dispozitivele de protecție trebuie să fie curate și uscate, precum și fixate în siguranță la mașină.

Verificați întotdeauna dacă există obiecte care pot bloca ecranul de admisie a aerului înainte de a începe să lucrați. O admisie de aer înfundată reduce performanța mașinii și crește temperatura de lucru a motorului, ceea ce poate duce la defectarea motorului.

Asigurați-vă că opriți motorul:

- ▶ La montarea sau scoaterea accesoriilor.
- ▶ Când vă deplasați între zonele de lucru sau deasupra zonelor pavate și a obstacolelor la sol.
- ▶ Ori de câte ori lăsați mașina nesupravegheată.
- ▶ În timpul realimentării.
- ▶ În timpul curățării sau întreținerii.
- ▶ În timpul transportului.
- ▶ Înainte de depozitare.

PERICOLE PENTRU PIESELE ROTATIVE

Piesele rotative pot provoca răni grave. Evitați contactul pieselor rotative atunci când acestea

sunt încă în rotație. Nu puneți niciodată mâinile sau picioarele în corpul pompei în timp ce motorul funcționează. Nu acționați niciodată motorul cu corpul pompei dezasamblat.

PERICOLE DE ZGOMOT ȘI VIBRAȚII

Nivelurile de zgomot și vibrații prezentate în aceste instrucțiuni sunt nivelurile maxime de utilizare a mașinii. O întreținere insuficientă are un impact semnificativ asupra vibrațiilor și emisiilor de zgomot. În consecință, este necesar să se ia măsuri preventive pentru a elimina posibilele daune datorate nivelurilor ridicate de zgomot și stres cauzat de vibrații. Păstrați bine mașina, purtați dispozitive de protecție a urechilor, mănuși antivibrații și faceți pauze în timp ce lucrați. În timpul unei zile de lucru, trebuie să faceți pauze frecvente și adecvate pentru a preveni deteriorarea cauzată de vibrații și deteriorarea urechilor.

PERICOLUL ZONEI DE LUCRU

Inspectați cu atenție întreaga zonă de lucru și îndepărtați orice ar putea fi proiectat de mașină, poate fi o sursă periculoasă sau poate provoca daune mașinii (pietre, ramuri, sârmă de fier, oase etc.). Verificați dacă nu există spectatori, animale sau obiecte care ar putea fi deteriorate la cel puțin 15 metri din raza de acțiune a mașinii.

Lucrați numai la lumina zilei sau cu lumină artificială adecvată, în condiții de vizibilitate bună. Încercați să nu provocați nicio perturbare a zgomotului, utilizând acest aparat numai la momente rezonabile ale zilei.

Asumă o poziție fermă și bine echilibrată. Unde este posibil, evitați lucrul pe teren umed, alunecos sau, în orice caz, pe teren neuniform sau abrupt, care nu garantează stabilitatea operatorului sau condițiile de funcționare corespunzătoare ale mașinii.

RISCURI RESTANTE

Mașina a fost construită folosind tehnologia modernă și în conformitate cu normele de siguranță recunoscute. Chiar și atunci când toate măsurile de siguranță sunt în vigoare, pot fi prezente unele pericole rămase, care nu sunt încă evidente. Operatorul ar trebui să folosească bunul simț și să ia măsurile de precauție necesare pentru a evita riscurile din cauza pericolelor rămase.

SPECIFICAȚIILE PRODUSULUI

UTILIZAREA PREVĂZUTĂ

Această mașină este proiectată și fabricată pentru transferul de apă de ex. în sere, livezi, grădini. Pompele de apă curată și de înaltă presiune sunt proiectate pentru pomparea numai a apei curate. Pompele chimice sunt proiectate pentru pomparea apei curate, a bazelor acide slabe (PH 4-11) și a lichidelor cu temperatură ridicată de aprindere sau a apei de mare. Pompele semi-gunoii (canalizare) sunt proiectate pentru pomparea apei curate sau a apei care conțin solide moi cu un diametru nu mai mare de 25,4mm. Pompele de gunoi (noroii) sunt proiectate pentru pomparea apei curate sau a apei

care conțin solide cu un diametru nu mai mare de 25,4mm până la un grad de până la 50%.

Orice altă utilizare diferită de cele menționate mai sus poate fi periculoasă, poate dăuna oamenilor și poate deteriora lucrurile și mașina.

UTILIZARE NEAPROPATĂ

Mașina nu trebuie utilizată pentru pomparea materialelor periculoase, de ex. acumularea de produse inflamabile sau explozive, tăciuni fierbinți sau materiale de ardere fără flacără, țigări aprinse, sticlă, obiecte ascuțite, obiecte metalice, pietre și orice alt obiect care ar putea fi periculos pentru mașină în sine, precum și pentru operator, spectatori, animale sau proprietate.

Alte exemple de utilizare necorespunzătoare pot include, dar nu sunt limitate, la funcționarea mașinii:

- ▶ Fără accesoriile originale furnizate de producător.
- ▶ Cu accesorii originale, dar într-un fel nu conform instrucțiunilor.
- ▶ Fără piese de schimb originale.
- ▶ Cu modificări neautorizate.
- ▶ De mai multe persoane.

DATE TEHNICE PAGINĂ 90

IDENTIFICARE

GWP 40/79 PLUS (Fig. 1)

1. Capacul rezervorului de combustibil
2. Rezervor de combustibil
3. Mâner de pornire
4. Pedala de accelerație
5. Filtru de aer
6. Comutator combustibil
7. Maneta de sufocare
8. Mâner de transport
9. Bujie
10. Toba de esapament
11. Capac de amorsare a pompei
12. Port de aspirație (intrare)
13. Dop de golire a pompei
14. Dop de golire ulei motor
15. Joja de ulei de motor
16. Port de descărcare (ieșire)
17. Comutator PORNIT / OPRIT

GWP 50/209 PLUS, GWP 50/212 PRO, GWP 80/212 PRO (Fig. 2)

1. Cadru
2. Capac de amorsare a pompei
3. Port de descărcare (ieșire)
4. Comutator PORNIT / OPRIT
5. Joja de ulei de motor
6. Mâner de pornire
7. Capacul rezervorului de combustibil
8. Filtru de aer
9. Toba de esapament
10. Dop de golire ulei motor
11. Dop de golire a pompei
12. Port de aspirație (intrare)
13. Rezervor de combustibil

GWP 80/212 ST PRO (Fig. 3)

1. Cadru
2. Capac de amorsare a pompei
3. Șurubul capacului pompei tip T.
4. Comutator PORNIT / OPRIT
5. Joja de ulei de motor
6. Dop de golire ulei motor
7. Mâner de pornire
8. Rezervor de combustibil
9. Capacul rezervorului de combustibil
10. Filtru de aer
11. Toba de esapament
12. Dopul de golire a pompei
13. Port de aspirație (intrare)
14. Port de descărcare (ieșire)

GWP 80/301 FT PRO (Fig. 4)

1. Cadru
2. Port de descărcare (ieșire)
3. Comutator PORNIT / OPRIT
4. Joja de ulei de motor
5. Dop de golire ulei motor
6. Mâner de pornire
7. Rezervor de combustibil
8. Capacul rezervorului de combustibil
9. Filtru de aer
10. Toba de esapament
11. Butonul capacului pompei
12. Dopul de golire a pompei
13. Port de aspirație (intrare)
14. Capac de amorsare a pompei

GWP 50/212 H PRO,**GWP 50/389 H PRO (Fig. 5),****GWP 50/212 H2 PRO (Fig. 6)**

1. Cadru
2. Port de descărcare (ieșire)
3. Comutator PORNIT / OPRIT
4. Joja de ulei de motor
5. Dop de golire ulei motor
6. Mâner de pornire
7. Rezervor de combustibil
8. Capacul rezervorului de combustibil
9. Filtru de aer
10. Toba de esapament
11. Dopul de golire a pompei
12. Port de aspirație (intrare)
13. Capac de amorsare a pompei

GWP 50/212 CH PRO,**GWP 80/212 CH PRO (Fig. 7)**

1. Cadru
2. Capac de amorsare a pompei
3. Comutator PORNIT / OPRIT
4. Joja de ulei de motor
5. Dop de golire ulei motor
6. Mâner de pornire
7. Rezervor de combustibil
8. Capacul rezervorului de combustibil
9. Filtru de aer
10. Toba de esapament
11. Dopul de golire a pompei
12. Port de aspirație (intrare)
13. 1 Port de evacuare (ieșire)

OPERAȚIUNE**PREOPERARE**

Despachetarea și completarea ansamblului trebuie făcute pe o suprafață plană și stabilă, cu suficient spațiu pentru deplasarea mașinii și a ambalajului acesteia, utilizând întotdeauna echipamentul adecvat. Asamblarea trebuie efectuată de personal instruit la cel mai apropiat atelier de distribuție, acolo unde este necesar.

Alimentare și lubrifiere**AVERTIZARE**

Mașina se livrează fără ulei și combustibil.

Acest produs este echipat cu un motor în 4 timpi, ceea ce înseamnă că benzina trebuie utilizată în rezervorul de combustibil, iar motorul trebuie umplut cu ulei.

Specificații privind combustibilul: benzină fără plumb sau peste 90 octanici.

Capacitatea rezervorului de combustibil: Consultați „TABELUL DE DATE TEHNICE”

Pentru a umple mașina cu combustibil:

1. Scoateți capacul rezervorului de combustibil.
2. Adăugați combustibil la nivelul superior al rezervorului de combustibil. Lăsați un spațiu minim de 5 mm între partea superioară a combustibilului și marginea interioară a rezervorului pentru a permite expansiunea. Jumătate din lungimea filtrului capacului rezervorului de combustibil (Fig. 9) poate funcționa și ca semn de nivel superior al combustibilului, acolo unde este disponibil.
3. Repoziționați capacul rezervorului de combustibil și strângeți-l corespunzător.

AVERTIZARE

Utilizați întotdeauna un recipient curat pentru depozitarea combustibilului și nu folosiți combustibil depozitat mai mult de o lună.

Specificații privind uleiul: Pentru uz general (5°C - 38°C), uleiul recomandat este uleiul de motor în 4 timpi SAE 10W30 (Fig. 8).

Capacitatea uleiului de motor: Consultați „TABELUL DE DATE TEHNICE”

Pentru a umple motorul cu ulei:

1. Scoateți capacul de umplere a uleiului (Fig. 10.1) de pe gâtul de umplere a uleiului de motor (Fig. 10.2). Partea de jos a acestuia este indicatorul nivelului de ulei.
2. Adăugați treptat suficient ulei pentru a aduce nivelul de ulei la buza gâtului de umplere a uleiului, până la nivelul superior (Fig. 10.3) și nu mai mic decât nivelul inferior (Fig. 10.4).
3. Repoziționați capacul de umplere a uleiului și strângeți-l corespunzător.

AVERTIZARE

Utilizați o pâlnie pentru a evita vărsarea de combustibil sau ulei. Ștergeți orice combustibil și ulei vărsat înainte de a porni motorul.

Selectarea pompei

Modelul de pompă adecvat trebuie selectat mai întâi în funcție de lichidul care urmează să fie pompat și apoi în funcție de nevoile specifice ale instalației de utilizat. Un inginer cu experiență ar

trebuie să vă poată ghida calculând în mod corespunzător nevoile specifice ale instalației pentru care intenționați să utilizați pompa. Odată ce datele necesare privind debitul și ridicarea capului necesare sunt estimate, puteți utiliza graficele de performanță (Fig. 25-34) pentru a alege cel mai potrivit model de pompă.

Amplasarea unității

Unitatea ar trebui să fie acționată pe un teren stabil și planat pentru a evita deteriorarea unității și pentru a putea oferi performanțe maxime. În mod ideal, pompa ar trebui să fie amplasată lângă nivelul sursei de apă și ar trebui să utilizezi furtunuri nu mai mult decât este necesar pentru lucrări. Lungimea, tipul și dimensiunea furtunurilor de aspirație și de refulare pot afecta semnificativ performanța de ieșire a pompei. De asemenea, rețineți că odată cu creșterea capului de aspirație (Fig. 11.2) sau a capului de descărcare (Fig. 11.3), rezultând o creștere a capului total (Fig. 11.1), performanța de ieșire a pompei scade. Minimizarea capului de aspirație prin plasarea pompei lângă nivelul apei este, de asemenea, foarte importantă pentru reducerea timpului de autoamorsare.

Instalarea furtunului de aspirație

Pentru a instala furtunul de aspirație (Fig. 12.6) la orificiul de aspirație al pompei (Fig. 12.1) utilizați garnitura (Fig. 12.2), conectorul furtunului (Fig. 12.3), cleva conectorului furtunului (Fig. 12.4) și furtunul clemă (Fig. 12.5) așa cum se arată în Fig. 12. Este recomandat să utilizați un furtun de aspirație cu diametrul același cu orificiul de aspirație pentru a evita pierderea performanței din cauza fricțiunii apei cu interiorul pereților furtunului sau tulburări de flux. La celălalt capăt al furtunului de aspirație (Fig. 13.3) instalați filtrul (Fig. 13.1) folosind cleva furtunului (Fig. 13.2) așa cum se arată în Fig. 13. Strecurătorul va ajuta la prevenirea înfundării sau deteriorării pompei, de orice resturi conținute în apa de pompat.

Instalarea furtunului de refulare

Pentru a instala furtunul de refulare (Fig. 14.3) la orificiul de refulare a pompei (Fig. 14.2) utilizați sigiliul, conectorul furtunului, cleva conectorului furtunului și cleva furtunului (Fig. 14.2), așa cum se arată în Fig. 14. Este v-a recomandat să utilizați un furtun de evacuare cu diametrul același cu orificiul de evacuare pentru a evita pierderea performanței din cauza fricțiunii apei cu interiorul pereților furtunului sau a tulburărilor de curgere. Strângeți bine cleva furtunului pentru a preveni deconectarea furtunului de refulare sub presiune ridicată.

Amorsarea pompei

În interiorul corpului pompei trebuie umplut cu apă curată înainte de a porni motorul.

AVERTIZARE

Pompa nu trebuie operată niciodată uscată pentru a evita deteriorarea garniturilor și a părților rotative ale pompei din cauza temperaturii ridicate și a frecării.

Pentru a amorsa pompa:

1. Scoateți capacul de amorsare al pompei (Fig. 15.1).
2. Umpleți pompa cu apă curată (Fig. 15.2).
3. Repoziționați capacul de amorsare al pompei și strângeți-l corespunzător.

PORNIREA UNITĂȚII

Înainte de a porni aparatul:

1. Asigurați-vă că atât mașina, cât și dvs. vă aflați pe un teren stabil.
2. Verificați dacă toate elementele de fixare sunt fixate în poziție.
3. Pregătiți furtunurile de aspirație și evacuare și asigurați-vă că sunt montate corect.
4. Verificați dacă filtrul de aer este curat și dacă admisia și evacuarea aerului nu sunt înfundate de materiale străine.
5. Umpleți cu cantitatea necesară de ulei și combustibil.
6. Pregătiți pompa.

Pentru a porni aparatul:

1. Mutați maneta supapei de combustibil (Fig. 16.1) în poziția „ON”.
2. Mutați maneta de sufocare (Fig. 17.1) în poziția „CHOKE”.

NOTĂ

Acest pas se aplică numai pornirii la rece a motorului. Când motorul este deja cald sau temperatura mediului este ridicată, maneta de sufocare trebuie să fie în permanență în poziția „RUN”.

3. Mutați comutatorul PORNIT / OPRIT în poziția „PORNIT” (Fig. 18.1).
4. Mutați maneta clapetei de accelerație (Fig. 19.1) cu 1/3 din drum spre poziția „A” (viteză mare).
5. Prindeți ferm mânerul mașinii cu mâna stângă și mânerul de pornire (Fig. 20.2) al motorului cu mâna dreaptă. Trageți de mânerul demarorului până când simțiți rezistență la antrenarea motorului și apoi trageți ferm pentru a porni motorul.

AVERTIZARE

Pentru a evita ruperea cablului de pornire (Fig. 20.1), nu trageți-o pe toată lungimea sau lăsați-o să alunece de-a lungul marginii orificiului de ghidare a cablului. Eliberați demarorul treptat, pentru a evita lăsarea să zboare înapoi necontrolat.

6. Pe măsură ce motorul se încălzește, mutați treptat maneta de sufocare în poziția „RUN”, dacă motorul a pornit la rece.

NOTĂ

Pentru performanță și fiabilitate maximă, permiteți motorului să se încălzească înainte de a funcționa la sarcină maximă, pornind-o timp de două până la trei minute la ralanti.

7. După ce motorul se încălzește, mutați maneta clapetei de accelerație în poziția „A” (viteză mare) pentru autoamorsare și verificați puterea pompei.

FUNCȚIONAREA UNITĂȚII

Pedala de accelerație

Debitul de ieșire este controlat prin reglarea tura-

ției motorului prin deplasarea manetei clapetei de accelerație între pozițiile „A” (viteză mare) și „B” (viteză mică). Creșterea turației motorului crește debitul de ieșire al pompei. Scăderea turației motorului, scade debitul de ieșire al pompei.

OPRIREA UNITĂȚII

Pentru a opri aparatul:

1. Reduceți turația motorului deplasând maneta clapetei de accelerație în poziția „B” (turația mică).
2. Mutați comutatorul PORNIT / OPRIT în poziția „OPRIT” (Fig. 18.2).
3. Mutați maneta supapei de combustibil în poziția „OFF”.
4. Scoateți dopul de scurgere a pompei și scurgeți camera corpului pompei în stare uscată.
5. Scoateți capacul de amorsare a pompei și spălați camera corpului pompei cu apă curată pentru a îndepărta orice reziduu de apă pompat sau material străin care ar putea deteriora pompa.
6. Lăsați toată apa să se scurgă din camera corpului pompei.
7. Repoziționați capacul de amorsare a pompei și dopul de golire a pompei în poziție și strângeți-l corespunzător.

ÎNȚREȚINERE ȘI CURĂȚARE

AVERTIZARE

Nu efectuați niciodată întreținere sau curățare cu unitatea în funcțiune. Lucrați întotdeauna pe o unitate rece. Înainte de a curăța sau de a efectua lucrări de întreținere, deconectați capacul bujiei și citiți instrucțiunile relevante. Purtați întotdeauna îmbrăcăminte și mănuși de protecție adecvate ori de câte ori vă expun mâinile.

Orice ajustări sau operațiuni de întreținere care nu sunt descrise în acest manual trebuie efectuate de către dealerul dvs. sau un centru de service specializat, cu cunoștințele și echipamentele necesare pentru a se asigura că lucrările sunt efectuate corect, menținând nivelul de siguranță original al mașinii. Orice operațiuni efectuate în centre neautorizate sau de persoane necalificate vor invalida în totalitate Garanția și toate obligațiile și responsabilitățile producătorului.

Păstrați toate piulițele și șuruburile strânse pentru a vă asigura că mașina este întotdeauna în condiții de siguranță. Întreținerea de rutină este esențială pentru siguranță și pentru menținerea unui nivel înalt de performanță.

AVERTIZARE

Nu folosiți niciodată mașina cu piese uzate sau deteriorate. Piesele defecte sau uzate trebuie întotdeauna înlocuite și nu reparate. Folosiți numai piese de schimb originale.

PROGRAMUL DE ÎNȚREȚINERE

Elemente		Frecvență				
		Înainte de fiecare utilizare	După prima lună sau primele 20 de ore de funcționare	La fiecare 3 luni sau 50 de ore de funcționare	La fiecare 12 luni sau 100 de ore de funcționare	La fiecare 24 de luni sau 250 de ore de funcționare
Unitate completă	Vizual Inspecție	✓				
Mănerile de control	Verifica Operațiune	✓				
Descărcător de scântei (daca este disponibil)	Verifica			✓*		
Ulei de motor	Verifica-Reumpleți	✓				
	A înlocui		✓	✓		
Filtru de aer	Verifica	✓				
	Curat		✓			
	A înlocui			✓		
Bujie	Verifica - Regla		✓		✓*	
Linia de combustibil și filtru	Verifica - Curat **				✓*	
Rezervor de combustibil	Verifica - Curat **					✓*
Pahar de depozitare (daca este disponibil)	Curat		✓	✓		
Supapă degajare	Verifica - Regla **				✓	
Camera de ardere	Verifica - Curat **					✓*

* Aceste articole trebuie înlocuite, dacă este necesar.
 ** Aceste operațiuni trebuie efectuate numai de către un dealer autorizat, care are instrumentele adecvate și competența mecanică necesară.

ULEI DE MOTOR

AVERTIZARE

Verificarea nivelului și schimbarea uleiului trebuie făcute pe un teren solid și plan. Motorul trebuie oprit tot timpul. Dacă motorul ar fi funcționat, va fi fierbinte și procedura trebuie făcută cu grijă și precauțiile necesare pentru a evita pericolul de arsură.

NOTĂ

Scurgeți uleiul uzat în timp ce motorul este cald. Uleiul cald se scurge rapid și complet.

Pentru a verifica nivelul uleiului:

1. Scoateți capacul de umplere a uleiului (Fig. 21.6) de pe gâtul de umplere a uleiului de motor (Fig. 21.1).
2. Verificați nivelul uleiului. Nivelul uleiului trebuie să ajungă la buza (Fig. 21.7) a gâtului de umplere a uleiului. Dacă este necesar, adăugați suficient ulei pentru a aduce nivelul uleiului la buza gâtului de umplere a uleiului, până la nivelul superior (Fig. 10.3) și nu mai mic decât nivelul inferior (Fig. 10.4).
3. Repoziționați capacul de umplere a uleiului și strângeți-l corespunzător.

Pentru a schimba uleiul:

1. Scoateți capacul de umplere a uleiului de la gâtul de umplere a uleiului de motor.
2. Așezați un recipient adecvat (Fig. 21.3) sub orificiul de scurgere a uleiului (Fig. 21.2) pentru a prinde uleiul uzat.
3. Scoateți dopul de scurgere a uleiului (Fig. 21.4) și șaiba (Fig. 21.5) pentru a permite uleiului să se scurgă complet.
4. Repoziționați dopul de scurgere a uleiului cu șaiba și strângeți-l corespunzător.
5. Adăugați treptat suficient ulei pentru a aduce nivelul uleiului la buza gâtului de umplere a uleiului, până la nivelul superior (Fig. 10.3) și nu mai mic decât nivelul inferior (Fig. 10.4).
6. Repoziționați capacul de umplere a uleiului și strângeți-l corespunzător.

NOTĂ

Dacă motorul funcționează frecvent în condiții extreme de prăfuite sau în alte circumstanțe severe, schimbați uleiul de motor la fiecare 25 de ore.

AVERTIZARE

Dacă porniți motorul, nivelul de ulei scăzut va provoca deteriorarea motorului.

FILTRU DE AER

AVERTIZARE

Utilizarea motorului fără un filtru de aer sau cu un filtru de aer deteriorat va permite pătrunderea murdăriei în motor, provocând uzura rapidă a motorului.

Pentru a verifica, curăța sau schimba filtrul de aer:

1. Scoateți capacul filtrului de aer (Fig. 22.1).
2. Asigurați-vă că elementul filtrului de aer (Fig. 22.2) este lipsit de murdărie și în stare bună. Dacă este murdar, îndepărtați-l și curățați-l.
 - Pentru a curăța un element de filtru de aer din spumă, spălați-l cu detergent de casă și apă fierbinte și lăsați-l să se usuce. Apoi înmuiați-l în ulei de motor curat și saturat și storceți ușor excesul de ulei. Dacă este necesar, înlocuiți-l cu unul nou.
 - Pentru a curăța un element de filtru de aer din hârtie, curățați murdăria ușoară lipindu-l ușor de câteva ori pe o suprafață dură și înlocuiți-l dacă există murdărie grea.
3. Curățați interiorul carcasei filtrului de aer și acoperiți-l de murdărie cu o cârpă moale. Dacă motorul este echipat cu un filtru de aer de tip baie de ulei, înlocuiți uleiul cu ulei de motor nou.
4. Reinstalați elementul filtrului de aer și urmați procedura inversă pentru a repune în poziție capacul filtrului de aer.

AVERTIZARE

Nu curățați niciodată filtrul de aer cu detergenți inflamabili sau cu punct de aprindere scăzut pentru a evita riscul de incendiu sau explozie.

NOTĂ

Dacă motorul funcționează frecvent în condiții de praf sau alte circumstanțe severe, curățați filtrul de aer la fiecare 10 ore și adăugați-i uleiul nou. Dacă este necesar, schimbați elementul filtrului de aer la fiecare 25 de ore.

BUJIE

Pentru a întreține bujia (Fig. 23.4):

1. Scoateți capacul bujiei (Fig. 23.1) pentru a accesa bujia (Fig. 23.2).
2. Folosiți un instrument adecvat pentru bujii (Fig. 23.3) pentru a scoate cu atenție bujia.
3. Verificați starea bujiei și electrodul acesteia. Trebuie să fie curat și să nu fie purtat. Verificați dacă distanța bujiei este între 0,7 și 0,8 mm. Înlocuiți bujia cu una nouă, dacă este necesar.
4. Introduceți cu grijă bujia în motor cu mâna.
5. Odată filetat, folosiți instrumentul corespunzător pentru bujii pentru a strânge bujia, acordând atenție să nu folosiți o forță excesivă care dăunează firelor.
6. Atașați din nou capacul bujiei.

AVERTIZARE

Nu permiteți niciodată murdărie sau resturi să pătrundă în alezajul cilindrului. Înainte de a scoate bujia, curățați bine bujia și zona chiulasei.

CUPA SEDIMENT COMBUSTIBIL

AVERTIZARE

Păstrați carburatorul de combustibil numai în aer liber și în zone bine ventilate. Asigurați-vă că prindeți combustibilul golit într-un recipient adecvat și ștergeți orice combustibil vărsat.

Pentru a menține cupa sedimentului de combustibil:

1. Rotiți supapa de combustibil (Fig. 24.1) în poziția „OFF”.
2. Îndepărtați cupa sedimentului de combustibil al carburatorului (Fig. 24.3) cu inelul de etanșare din cauciuc (Fig. 24.2).
3. Spălați părțile îndepărtate în solvent, uscați-le bine.

AVERTIZARE

Nu curățați niciodată cupa de sedimente de combustibil cu detergenți inflamabili sau cu punct de aprindere scăzut pentru a evita riscul de incendiu sau explozie.

4. Înlocuiți inelul de etanșare din cauciuc cu unul nou, dacă este necesar.
5. Reinstalați inelul de etanșare din cauciuc și cupa pentru sedimente și fixați-l în poziție.
6. Rotiți supapa de combustibil în poziția „ON” și verificați dacă există scurgeri de combustibil.

FILTRU DE COMBUSTIBIL

Rezervorul de combustibil poate fi prevăzut cu un filtru, în funcție de modelul cleiului, situat la capacul rezervorului de combustibil. Filtrul de combustibil poate fi ales și trebuie verificat periodic. Dacă filtrul este murdar, curățați-l și înlocuiți-l cu unul

nou atunci când este necesar. În cazul în care interiorul rezervorului de combustibil este murdar, acesta poate fi curățat prin clătirea rezervorului de combustibil cu benzină curată.

CURĂȚAREA

Folosiți o perie mică moale pentru a curăța exteriorul unității. Nu folosiți detergenți puternici. Produsele de curățat pentru uz casnic care conțin uleiuri aromatice, cum ar fi pinul și lămâia, precum și solvenți precum kerosenul pot deteriora carcase sau mânerul din plastic. Ștergeți umezeala cu o cârpă moale. Colțurile și aripile pot fi curățate cu apă folosind un furtun de grădină.

DEPOZITARE AVERTIZARE

Nu depozitați niciodată unitatea cu combustibil în rezervor și lăsați întotdeauna unitatea să se răcească înainte de a o depozita. Depozitați unitatea numai în zone uscate și bine ventilate.

În cazul în care unitatea va fi stocată pentru o perioadă mai lungă de timp, utilizați următoarea procedură de stocare:

1. Scurgeți tot combustibilul din rezervorul de combustibil.
2. Rotiți supapa de combustibil în poziția „OFF”. Scoateți dopul de golire a carburatorului (Fig. 24.4) și șaiba (Fig. 24.5). Asigurați-vă că prindeți combustibilul golit într-un recipient adecvat și ștergeți orice combustibil vărsat. Acest lucru asigură faptul că tot combustibilul a fost golit din carburator.
3. Înclocuiți uleiul de motor cu unul nou.
4. Înclocuiți uleiul filtrului de aer cu unul nou, dacă filtrul de aer este de tip baie de ulei.
5. Scoateți bujia și puneți 30 ml ulei de motor de înaltă calitate în cilindru. Trageți încet cablul de pornire pentru a distribui uleiul și apoi reinstalați bujia.
6. Curățați temeinic unitatea și verificați dacă există părți libere sau deteriorate. Reparați sau înclocuiți piesele deteriorate și strângeți șuruburile, piulițele sau șuruburile.
7. Lubrifiați toate piesele necesare cu o cârpă umedă pentru a evita formarea de rugină.

PROTECTIA MEDIULUI

Reciclați materiile prime în loc să le aruncați ca deșeurii. Mașinile, accesoriile și ambalajele trebuie sortate pentru reciclare ecologică. Componentele din plastic sunt etichetate pentru reciclare clasificată.

Aruncați uleiul de motor uzat și recipientele într-un mod compatibil cu mediul. Vă sugerăm să îl duceți într-un container sigilat la centrul local de reciclare sau la stația de service pentru recuperare. Nu-l aruncați la coșul de gunoi, nu-l turnați pe pământ sau nu-l turnați pe un canal de scurgere.

GARANȚIE

Acest produs este garantat în conformitate cu reglementările legale / specifice țării, începând cu data cumpărării de către primul utilizator. Daunele atribuite uzurii normale, suprasolicității sau manipulării necorespunzătoare vor fi excluse din garanție. În cazul unei reclamații, vă rugăm să trimiteți mașina, complet asamblată, la dealerul dvs. sau la centrul de service oficial.

MAGYAR

ÁLTALÁNOS BIZTONSÁGI FIGYELMEZTETÉSEK

A termék használata előtt olvassa el és értse meg ezt a használati útmutatót. Segíthet megelőzni a baleseteket, ha ismeri terméke kezelőszerveit, és betartja a biztonságos üzemeltetési eljárásokat és a biztonsági jelzéseket. Mindig használja a józan eszét, hogy elkerüljön minden olyan helyzetet, amely meghaladja képességeit. Ne használja, ha fáradt vagy kábítószert, alkoholt vagy bármilyen más gyógyszer hatása alatt áll. Működés közben tartsa távol a szemléldődöket és az állatokat, amelyek megsérülhetnek, valamint azokat a tárgyakat, amelyek megsérülhetnek. Soha ne engedje, hogy gyermekek vagy olyan személyek használják a terméket, akik nem ismerik ezeket az utasításokat. A helyi törvények korlátozhatják az üzemeltető alsó korhatárát. Ne feledje, hogy az üzemeltető vagy a felhasználó felelős a más emberek, állatokat vagy azok tulajdonát érintő balesetekért vagy váratlan eseményekért. Ne tegye ki a terméket túlzott nedvességnek, pornak, szennyeződésnek vagy korrozív gőznek. Ne szereljen a gépre olyan berendezéseket vagy tartozékokat, amelyeket a gyártó nem tervezett vagy nem hagyott jóvá. Soha ne kísérelje meg módosítani a terméket. A nem engedélyezett módosítások vagy tartozékok súlyos személyi sérülést vagy a kezelő vagy mások halálát okozhatják. A jelen kézikönyvben nem szereplő szét-szereléssel és szervizeléssel kapcsolatban forduljon hivatalos forgalmazójához. Ha munka közben valami eltörök vagy baleset történik, azonnal kapcsolja ki a gépet és vigye el, hogy elkerülje a további károsodást. Ha idegen test került a gépbe, azonnal állítsa le, ellenőrizze, hogy nem sérült-e, és javítsa meg, mielőtt újraindítaná.

VÉDŐ FELSZERELÉS

Ügyeljen arra, hogy megfelelő és minősített védőfelszerelést használjon az egység működtetése során. Mindig viseljen mozgást nem akadályozó ruházatot, védőkesztyűt, védőszemüveget, félálarcos légzőkészüléket, fülvédőt és csúszásmentes talpú, nyírás-gátló biztonsági csizmát. Soha ne viseljen sálát, nyakláncot vagy bármilyen lógó vagy csapkodó kiegészítőt és ruhát, amely beakadhat a gépbe. Kösse fel a haját, ha hosszú.

MÉRGEZÉSI VESZÉLYEK

Csak a szabadban és jól szellőző helyen működtesse. Működés közben a motor mérgező szén-monoxidot, szagtalan és színtelen gázt bocsát ki. A szén-monoxid belélegzése hányingert, ájulást vagy halált okozhat. Ne működtesse a gépet zárt térben, ahol veszélyes szén-monoxid gázok keletkezhetnek, vagy nyitott ablakok közelében.

Az üzemanyag és az olaj rendkívül mérgező. Ne lélegezze be az üzemanyag párolgó gázait, és mindig viseljen megfelelő védőfelszerelést, amikor kezeli őket. Az üzemanyagot és az olajat mindig jóváhagyott tartályokban tárolja, és felelősen ártalmatlannítsa.

TŰZ- ÉS ÉGÉSI VESZÉLYEK

A gép egyes részei eléggé felforrósodnak ahhoz, hogy meggyútsák a gyúlékony anyagokat. Ne használja magas tűzveszélyes területeken. Ne irányítsa a hangtompítót és így a kipufogógázt gyúlékony anyagok felé.

A gép egyes részei eléggé felforrósodnak ahhoz, hogy égési sérülést okozzanak. Ügyeljen arra, hogy ne érintse meg őket, hogy elkerülje az égési sérülést. Tárolás előtt hagyja kihűlni a gépet.

A benzín és az olaj gyúlékony. Használat előtt kövesse az egyes gyártók utasításait. Az esetleges tűz- vagy szikraforrásokat mindig távol kell tartani. Ne dohányozzon a gép, illetve üzemanyag és olaj közelében. Csak a szabadban tankoljon, jól szellőző helyen, leállított motor mellett. Lassan nyissa ki az üzemanyagtartályt, hogy a belső nyomás fokozatosan csökkenjen. Ne töltse túl az üzemanyagtartályt. Győződjön meg arról, hogy a tartalék benzintartály és az egység között van némi távolság, hogy elkerülje a szükségtelen veszélyeket. A motor beindítása előtt győződjön meg arról, hogy minden kiömlött üzemanyagot és olajat letöröl.

Tűz esetén használjon megfelelő tűzoltó készüléket, amelyet kifejezetten olaj- és benzintüzekre terveztek.

KATEGÓRIA BIZTONSÁGI FIGYELMEZTETÉSEK

BIZTONSÁGOS MŰKÖDÉS

A gép összes működtető karjának könnyen kell mozognia egyik helyzetből a másikba, és nem kell erőltetni. A tengelykapcsoló- és hátrameneti karoknak (ha van) automatikusan és gyorsan vissza kell térniük üres állásba. Az elektromos kábeleknek és különösen a gyújtógyertya kábelének kifogástalan állapotban kell lenniük a szikraképződés elkerülése érdekében, és a gyújtógyertya sapkáját megfelelően fel kell szerelni a gyújtógyertyára. A fogantyúknak és a védőeszközöknek tisztának és száraznak kell lenniük, valamint biztonságosan kell rögzíteni a géphez.

A munka megkezdése előtt mindig ellenőrizze, hogy nincsenek-e olyan tárgyak, amelyek elzárhatják a levegőbemeneti szűrőt. Az eltömődött légbeömlő csökkenti a gép teljesítményét és növeli a motor üzemi hőmérsékletét, ami a motor meghibásodásához vezethet.

Ügyeljen arra, hogy leállítsa a motort:

- ▶ Tartozékok felszerelésekor vagy eltávolításakor.
- ▶ Munkaterületek közötti vagy burkolt területek és talajakadályok feletti mozgáskor.
- ▶ Amikor felügyelet nélkül hagyja a gépet.
- ▶ Tankolás közben.
- ▶ Tisztítás vagy karbantartás közben.
- ▶ Szállítás közben.
- ▶ Tárolás előtt.

A FORGÓ ALKATRÉSZEK VESZÉLYEI

A forgó alkatrészek súlyos sérüléseket okozhatnak. Kerülje a forgó alkatrészek érintkezését, amikor azok még forognak. Soha ne tegye a kezét vagy lábát a szivattyúházba, amíg a motor jár. Soha ne működtesse a motort szétszerelt szivattyúházzal.

ZAJ ÉS REZGÉSVESZÉLY

Az ebben az útmutatóban feltüntetett zaj- és rezgésszintek a gép használatának maximális szintjei. A nem megfelelő karbantartás jelentős hatással van a rezgés- és zajkibocsátásra. Következésképpen megelőző lépéseket kell tenni a magas zajszint és a vibrációból eredő terhelés miatti esetleges károk kiküszöbölésére. Gondosan karbantartsa a gépet, viseljen fülvédőt, rezgéscsillapító kesztyűt és tartson szüneteket a munkavégzés során. Munkanapokon gyakori és megfelelő szüneteket kell tartania, hogy elkerülje a vibráció okozta károsodást és a fülkárosodást.

A MUNKATERÜLET VESZÉLYEI

Alaposan vizsgálja meg az egész munkaterületet, és távolítsa el mindent, ami a gépből kinyúlhat, veszélyes forrás lehet, vagy kárt okozhat a gépben (kövek, ágak, vashuzal, csontok stb.). Ellenőrizze, hogy a gép működési tartományától számított legalább 15 méteren belül nincsenek-e szemlélődők, állatok vagy tárgyak, amelyek megsérülhetnek.

Csak nappali fényben vagy megfelelő mesterséges megvilágítás mellett, jó látási viszonyok között dolgozzon. Törekedjen arra, hogy ne okozzon zajt, csak a nap ésszerű időszakában használja a gépet.

Vegyen fel szilárd és kiegyensúlyozott pozíciót. Lehetőség szerint kerülje a nedves, csúszós talajon végzett munkát, vagy minden esetben egyenletlen vagy meredek talajon, amely nem garantálja a stabilitást a kezelő számára vagy a gép megfelelő működési feltételeit.

FENNTARTÓ VESZÉLYEK

A gépet modern technológiával és az elismert biztonsági szabályok betartásával építették. Még akkor is, ha minden biztonsági intézkedés megvan, jelen lehet néhány fennmaradó, még nem nyilvánvaló veszély. A kezelőnek józan eszét kell követnie, és meg kell tennie a szükséges óvintézkedéseket a fennmaradó veszélyek miatti kockázatok elkerülésére érdekében.

TERMÉKLEÍRÁS

RENDELTESSZERŰ HASZNÁLAT

Ezt a gépet víz szállítására tervezték és gyártották pl. üvegházakban, gyümölcsösökben, kertekben. A tisztavíz- és nagynyomású szivattyúkat kizárólag tiszta víz szivattyúzására tervezték. A vegyszerszivattyúkat tiszta víz, gyenge savas bázis (PH 4-11) és magas gyulladási hőmérsékletű folyadékok vagy tengervíz szivattyúzására tervezték. A félszemetes (szennyvíz) szivattyúkat tiszta víz vagy 25,4 mm-nél nem nagyobb átmérőjű lágy szilárd anyagot tartalmazó víz szivattyúzására tervezték. A szemetes (iszap) szivattyúkat tiszta víz vagy 25,4 mm-nél nem nagyobb átmérőjű szilárd anyagokat tartalmazó víz 50%-ig történő szivattyúzására tervezték.

A fent említettetől eltérő bármely más használat veszélyes lehet, embereket károsíthat, kárt tehet a dolgokban és magában a gépben.

HELYTELEN HASZNÁLAT

A gépet nem szabad veszélyes anyagok szivattyúzására használni, pl. gyúlékony vagy robbanásveszélyes termékek felhalmozódása, forró parázs vagy láng nélkül égő anyag, égő cigaretták, üveg, éles tárgyak, fémtárgyak, kövek és minden olyan tárgy, amely veszélyes lehet magára a gépre, valamint a kezelőre, a közelben tartózkodókra, az állatokra, ill. ingatlanra.

A helytelen használat egyéb példái közé tartozhat, de nem kizárólagosan, a gép üzemeltetése:

- ▶ A gyártó által szállított eredeti tartozékok nélkül.
- ▶ Eredeti tartozékokkal, de a használati utasításnak nem megfelelő módon.
- ▶ Eredeti alkatrészek nélkül.
- ▶ Engedély nélküli módosításokkal.
- ▶ Egynél több személy által.

MŰSZAKI ADATOK 92. OLDAL

AZONOSÍTÁS

GWP 40/79 PLUS (1. ábra)

1. Üzemanyagtartály sapka
2. Üzemanyag tartály
3. Indító markolat
4. Gázkar
5. Légszűrő
6. Üzemanyag kapcsoló
7. Fojtó kar
8. Szállító fogantyú
9. Gyújtógyertya
10. Hangtompító
11. Szivattyú feltöltő sapka
12. Szívónyílás (bemenet)
13. Szivattyú leeresztő csavar
14. Motorolaj leeresztő csavar
15. Motorolaj mérőpálca
16. Leeresztő nyílás (kimenet)
17. BE / KI kapcsoló

GWP 50/209 PLUS, GWP 50/212 PRO, GWP 80/212 PRO (2. ábra)

1. Keret
2. Szivattyú feltöltő sapka
3. Leeresztő nyílás (kimenet)
4. BE / KI kapcsoló
5. Motorolaj mérőpálca
6. Indító markolat
7. Üzemanyagtartály sapka
8. Légszűrő
9. Hangtompító
10. Motorolaj leeresztő csavar
11. Szivattyú leeresztő csavar
12. Szívónyílás (bemenet)
13. Üzemanyag tartály

GWP 80/212 ST PRO (3. ábra)

1. Keret
2. Szivattyú feltöltő sapka
3. Szivattyúfedél T-típusú csavar
4. BE / KI kapcsoló
5. Motorolaj mérőpálca
6. Motorolaj leeresztő csavar
7. Indító markolat
8. Üzemanyag tartály

9. Üzemanyagtartály sapka
10. Légszűrő
11. Hangtompító
12. Szivattyú leeresztő csavar
13. Szívónyílás (bemenet)
14. Leeresztő nyílás (kimenet)

GWP 80/301 FT PRO (4. ábra)

1. Keret
2. Leeresztő nyílás (kimenet)
3. BE / KI kapcsoló
4. Motorolaj mérőpálca
5. Motorolaj leeresztő csavar
6. Indító markolat
7. Üzemanyag tartály
8. Üzemanyagtartály sapka
9. Légszűrő
10. Hangtompító
11. Szivattyúfedél gombja
12. Szivattyú leeresztő csavar
13. Szívónyílás (bemenet)
14. Szivattyú feltöltő sapka

GWP 50/212 H PRO,

GWP 50/389 H PRO (5. ábra),

GWP 50/212 H2 PRO (6. ábra)

1. Keret
2. Leeresztő nyílás (kimenet)
3. BE / KI kapcsoló
4. Motorolaj mérőpálca
5. Motorolaj leeresztő csavar
6. Indító markolat
7. Üzemanyag tartály
8. Üzemanyagtartály sapka
9. Légszűrő
10. Hangtompító
11. Szivattyú leeresztő csavar
12. Szívónyílás (bemenet)
13. Szivattyú feltöltő sapka

GWP 50/212 CH PRO,

GWP 80/212 CH PRO (7. ábra)

1. Keret
2. Szivattyú feltöltő sapka
3. BE / KI kapcsoló
4. Motorolaj mérőpálca
5. Motorolaj leeresztő csavar
6. Indító markolat
7. Üzemanyag tartály
8. Üzemanyagtartály sapka
9. Légszűrő
10. Hangtompító
11. Szivattyú leeresztő csavar
12. Szívónyílás (bemenet)
13. 1 kisütő csatlakozó (kimenet)

MŰVELET

ELŐMŰVELET

A kicsomagolást és az összeszerelést sík és stabil felületen kell végezni, elegendő hely legyen a gép és a csomagolás mozgatásához, mindig megfelelő felszerelést használva. Az összeszerelést szükség esetén szakképzett személyzetnek kell elvégeznie a legközelebbi kereskedőnél.

Tankolás és kenés

FIGYELEM

A gépet olaj és üzemanyag nélkül szállítjuk.

Ez a termék 4 ütemű motorral van felszerelve, ami azt jelenti, hogy benzint kell használni az üzemanyagtartályban, és a motort fel kell tölteni olajjal.

Üzemanyag jellemzők: ólommentes benzín vagy 90-nél magasabb oktánszámú.

Üzemanyagtartály térfogata: Lásd a „TECHNIKAI ADATOK TÁBLÁZAT” című részt.

A gép üzemanyaggal való feltöltése:

1. Távolítsa el az üzemanyagtartály sapkáját.
2. Töltsön üzemanyagot az üzemanyagtartály felső szintjéhez. Hagyjon legalább 5 mm helyet az üzemanyag teteje és a tartály belső széle között, hogy lehetővé tegye a tágulást. A tanksapka szűrőjének fele (9. ábra) a felső üzemanyagszint jelzőseként is működhet, ha van ilyen.
3. Helyezze vissza az üzemanyagtartály sapkáját és húzza meg megfelelően.

FIGYELEM

Az üzemanyag tárolására mindig tiszta edényt használjon, és ne használjon egy hónapnál tovább tárolt üzemanyagot.

Olajspecifikációk: Általános használatra (5°C - 38°C) az ajánlott olaj a SAE 10W30 négyütemű motorolaj (8. ábra).

Motorolaj úrtartalom: Lásd a „MŰSZAKI ADATOK TÁBLÁZAT” című részt.

A motor olajjal való feltöltése:

1. Távolítsa el az olajbetöltő sapkát (10.1. ábra) a motorolaj betöltőnyílásáról (10.2. ábra). Az alsó része az olajszintjelző.
2. Fokozatosan adjon hozzá annyi olajat, hogy az olajszint elérje az olajbetöltő nyak peremét, egészen a felső szintig (10.3. ábra) és nem lejjebb, mint az alsó szintig (10.4. ábra).
3. Helyezze vissza az olajbetöltő sapkát, és húzza meg megfelelően.

FIGYELEM

Használjon tölcserőt, hogy elkerülje az üzemanyag vagy az olaj kiömlését. A motor beindítása előtt törölje le a kiömlött üzemanyagot és olajat.

Szivattyú kiválasztása

A megfelelő szivattyúmodellt először a szivattyúzandó folyadéknak megfelelően kell kiválasztani, majd a használathoz szükséges beállítás egyedi igényei szerint. Egy tapasztalt mérnöknek képesnek kell lennie arra, hogy segítsen Önnek megfelelően kiszámítani a szivattyút használni kívánt beállítás speciális igényeit. A szükséges áramlási és emelési adatok becslése után a teljesítménygrafikonok (25-34. ábra) segítségével kiválaszthatja a legmegfelelőbb szivattyúmodellt.

Az egység elhelyezése

Az egységet stabil és vízszintes talajon kell üzemeltetni, hogy elkerülje az egység károsodását és a maximális teljesítményt. Ideális esetben a szivattyút a vízforrás szintje közelében kell elhelyezni, és a munkához szükségesnél nem hosszabb tömlőket kell használni. A szívó- és nyomótömlők

hossza, típusa és mérete jelentősen befolyásolhatja a szivattyú teljesítményét. Vegye figyelembe azt is, hogy a szívómagasság (11.2. ábra) vagy a nyomómagasság (11.3. ábra) növekedésével, ami a teljes emelőmagasság növekedését eredményezi (11.1. ábra), a szivattyú teljesítménye csökken. A szívómagasság minimalizálása a szivattyú vízszint közelében történő elhelyezésével szintén nagyon fontos az önfelszívási idő csökkentése érdekében.

Szívótömlő beszerelése

A szívótömlő (12.6. ábra) a szivattyú szívónyílásába (12.1. ábra) történő felszereléséhez használja a tömítést (12.2. ábra), a tömlőcsatlakozót (12.3. ábra), a tömlőcsatlakozó bilincset (12.4. ábra) és a tömlőt bilincs (12.5. ábra) a 12. ábrán látható módon. Javasoljuk, hogy a szívócsonkkal megegyező átmérőjű szívótömlőt használjon, hogy elkerülje a víznek a tömlőfalakkal való súrlódása vagy az áramlási zavarok miatti teljesítményvesztését. A szívótömlő másik végére (13.3. ábra) szerelje fel a szűrőt (13.1. ábra) a tömlőbilincs segítségével (13.2. ábra) a 13. ábrán látható módon. A szűrő segít megelőzni a szivattyú eltömődését vagy károsodását a szivattyúzandó vízben található törmeléktől.

Nyomótömlő beszerelése

A nyomótömlő (14.3. ábra) beszereléséhez a szivattyú nyomónyílásába (14.2. ábra) használja a tömítést, a tömlőcsatlakozót, a tömlőcsatlakozó bilincset és a tömlőbilincset (14.2. ábra) a 14. ábrán látható módon. Javasoljuk, hogy ugyanolyan átmérőjű nyomótömlőt használjon, mint a nyomónyílás, hogy elkerülje a víznek a tömlőfalak belsejével való súrlódása vagy az áramlási zavarok miatti teljesítményvesztést. Húzza meg szorosan a tömlőbilincset, hogy megakadályozza a nyomótömlő nagy nyomás alatti leválasztását.

A szivattyú feltöltése

A szivattyúház belsejét fel kell tölteni tiszta vízzel a motor beindítása előtt.

FIGYELEM

A szivattyút soha nem szabad szárazon üzemeltetni, hogy elkerülje a tömítések és a szivattyú forgó részei magas hőmérséklet és súrlódás miatti károsodását.

A szivattyú feltöltéséhez:

1. Távolítsa el a szivattyú feltöltősapkáját (15.1. ábra).
2. Töltse fel a szivattyút tiszta vízzel (15.2. ábra).
3. Helyezze vissza a szivattyú feltöltősapkáját, és húzza meg megfelelően.

AZ EGYSÉG INDÍTÁSA

A gép beindítása előtt:

1. Győződjön meg arról, hogy a gép és Ön is stabil talajon áll.
2. Ellenőrizze, hogy minden rögzítő rögzítve van-e.
3. Készítse elő a szívó- és nyomótömlőket, és ellenőrizze, hogy megfelelően vannak-e felszerelve.
4. Ellenőrizze, hogy a levegőszűrő tiszta-e, és

hogy a levegő bemeneti és kipufogónyílását nem tömítette el semmilyen idegen anyag.

5. Töltse fel a szükséges mennyiségű olajat és üzemanyagot.
6. Töltse fel a szivattyút.
A gép elindításához:
 1. Állítsa az üzemanyagszelep kart (16.1. ábra) „ON” állásba.
 2. Állítsa a szivató kart (17.1. ábra) „CHOKE” állásba.

JEGYZET

Ez a lépés csak a motor hidegindítására vonatkozik. Amikor a motor már meleg vagy a környezeti hőmérséklet magas, a szivató karnak mindig „RUN” állásban kell lennie.

3. Állítsa a BE/KI kapcsolót „ON” állásba (18.1. ábra).
4. Mozgassa a gázkart (19.1. ábra) az út 1/3-ával az „A” (nagy sebesség) helyzet felé.
5. Bal kezével erősen fogja meg a gép fogantyúját, jobb kezével pedig a motor indítómarkolatát (20.2. ábra). Húzza meg az indító markolatát, amíg ellenállást nem érez a motor bekapcsolásához, majd húzza meg határozottan a motor beindításához.

FIGYELEM

Az indítókötél (20.1. ábra) elszakadásának elkerülése érdekében ne húzza meg teljes hosszában, és ne engedje elcsúszni a kábelvezető furat szélén. Fokozatosan engedje el az önfűtőt, nehogy ellenőrizhetetlenül visszarepüljön.

6. Ahogy a motor felmelegszik, fokozatosan állítsa a szivatókart „RUN” állásba, ha a motor hidegen volt indítva.

JEGYZET

A maximális teljesítmény és megbízhatóság érdekében hagyja felmelegedni a motort, mielőtt teljes terhelésen működne, és járassa két-három percig alapláraton.

7. Miután a motor felmelegedett, állítsa a gázkart „A” (nagy sebesség) helyzetbe az önfelszívás-hoz, és ellenőrizze a szivattyú teljesítményét.

AZ EGYSÉG MŰKÖDTETÉSE

Gázkar

A kimeneti áramlás szabályozása a motor fordulatszámának beállításával történik, a fojtókart „A” (nagy sebesség) és „B” (alacsony sebesség) állások között mozgatva. A motor fordulatszámának növelése növeli a szivattyú kimeneti áramlását. A motor fordulatszámának csökkentése csökkenti a szivattyú kimeneti áramlását.

AZ EGYSÉG LEÁLLÍTÁSA

A gép leállításához:

1. Csökkentse a motor fordulatszámát a gázkar „B” (alacsony fordulatszám) helyzetbe állításával.
2. Állítsa a BE/KI kapcsolót „OFF” állásba (18.2. ábra).
3. Állítsa az üzemanyagszelep kart „OFF” állásba.
4. Távolítsa el a szivattyú leeresztő csavarját, és szárazon ürítse ki a szivattyúház kamráját.
5. Távolítsa el a szivattyú feltöltősapkáját, és öb-

lítse át tiszta vízzel a szivattyúház kamráját, hogy eltávolítson minden szivattyúzott vízmaradványt vagy idegen anyagot, amely károsíthatja a szivattyút.

- Hagyja, hogy az összes víz kifolyjon a szivattyúház kamrájából.
- Helyezze vissza a szivattyú feltöltősapkáját és a szivattyú leeresztő csavarját, és húzza meg megfelelően.

KARBANTARTÁS ÉS TISZTÍTÁS

FIGYELEM

Soha ne végezzen karbantartást vagy tisztítást működő egység mellett. Mindig hűvös egységen dolgozzon. Tisztítás vagy karbantartási munkák elvégzése előtt válassza le a gyújtógyertya sapkáját, és olvassa el a vonatkozó utasításokat. Mindig viseljen megfelelő ruházatot és védőkesztyűt, ha kezei veszályban vannak.

Az ebben a kézikönyvben le nem írt beállításokat vagy karbantartási műveleteket a kereskedőnek vagy a szükséges ismeretekkel és felszereléssel rendelkező szakszerviznek kell elvégeznie annak biztosítására, hogy a munka megfelelően, a gép eredeti biztonsági szintjének megőrzése mellett történjen. A nem felhatalmazott központokban vagy szakképzetlen személyek által végzett műveletek teljes mértékben érvénytelenítik a garanciát, valamint a gyártó minden kötelezettségét és felelősségét.

Minden anyát és csavart tartson szorosan, hogy a gép mindig biztonságos üzemállapotban legyen. A rendszeres karbantartás elengedhetetlen a biztonság és a magas teljesítményszint fenntartásához.

FIGYELEM

Soha ne használja a gépet kopott vagy sérült alkatrészekkel. A hibás vagy elhasznált alkatrészeket mindig ki kell cserélni és nem javítani. Csak eredeti alkatrészeket használjon.

KARBANTARTÁSI ÜTEMTERV

Frekvencia		Minden használat előtt	Az 1. hónap vagy az első 20 üzemóra után	3 havonta vagy 50 üzemóránként	12 havonta vagy 100 üzemóránként	24 havonta vagy 250 üzemóránként
Tételek						
Komplett egység	Szemrevételezés	√				
Vezérlő fogantyúk	Ellenőrizze a működést	√				
Szikrafogó (ha van)	Jelölje be			√*		
E motorolaj	Ellenőrzés-Újratöltés	√				
	Cserélje ki		√	√		

Légszűrő	Jelölje be	√				
	Tiszta		√			
	Cserélje ki			√		
Gyújtógyertya	Ellenőrzés-Állítsa be		√		√*	
Üzemanyag vezeték és szűrő	Ellenőrzés-Tisztítás**				√*	
Üzemanyag tartály	Ellenőrzés-Tisztítás**					√*
Betéti kupa (ha van)	Tiszta		√	√		
Szelephézag	Ellenőrzés-Állítsa be **				√	
Égéskamra	Ellenőrzés-Tisztítás**					√*

* Ezeket az elemeket szükség esetén ki kell cserélni.

**Ezeket a műveleteket csak olyan hivatalos kereskedő végezheti el, aki rendelkezik a megfelelő szerszámokkal és a szükséges mechanikai jártassággal.

MOTOROLAJ

FIGYELEM

A szint ellenőrzését és az olajcserét szilárd és vízszintes talajon kell elvégezni. A motort mindig le kell állítani. Ha a motor járt volna, az forró lesz, és az eljárást óvatosan és a szükséges óvintézkedésekkel kell elvégezni az égési sérülések elkerülése érdekében.

JEGYZET

Engedje le a használt olajat, amíg a motor meleg. A meleg olaj gyorsan és teljesen kiürül.

Az olajsint ellenőrzéséhez:

- Távolítsa el az olajbetöltő sapkát (21.6. ábra) a motorolaj betöltőnyílásáról (21.1. ábra).
- Ellenőrizze az olajsintet. Az olajsintnek el kell érnie az olajbetöltő nyak peremét (21.7. ábra). Ha szükséges, adjon hozzá annyi olajat, hogy az olajsint elérje az olajbetöltő nyak peremét, egészen a felső szintig (10.3. ábra), és ne legyen alacsonyabb, mint az alsó szint (10.4. ábra).
- Helyezze vissza az olajbetöltő sapkát, és húzza meg megfelelően.

Az olajcseréhez:

- Távolítsa el az olajbetöltő sapkát a motorolaj betöltőnyílásáról.
- Helyezzen egy megfelelő edényt (21.3. ábra) az olajleeresztő nyílás alá (21.2. ábra), hogy felfogja a használt olajat.
- Távolítsa el az olajleeresztő csavart (21.4. ábra) és az alátétet (21.5. ábra), hogy az olaj teljesen kifolyjon.
- Helyezze vissza az olajleeresztő csavart az alátéttel együtt, és húzza meg megfelelően.
- Fokozatosan adjon hozzá annyi olajat, hogy az olajsint elérje az olajbetöltő nyak peremét, egészen a felső szintig (10.3. ábra) és nem lejjebb, mint az alsó szintig (10.4. ábra).
- Helyezze vissza az olajbetöltő sapkát, és húzza meg megfelelően.

JEGYZET

Ha a motor gyakran működik rendkívül poros vagy más

súlyos körülmények között, 25 óránként cserélje ki a motorolajat.

FIGYELEM

Ha a motort járattja, az alacsony olajsínt a motor károsodását okozza.

LÉGSZŰRŐ

FIGYELEM

Ha a motort légszűrő nélkül vagy sérült légszűrővel üzemelteti, szennyeződés kerülhet a motorba, ami gyors motorkopást okoz.

A légszűrő ellenőrzéséhez, tisztításához vagy cseréjéhez:

1. Távolítsa el a légszűrő fedelét (22.1. ábra).
2. Győződjön meg arról, hogy a légszűrő elem (22.2. ábra) szennyeződésmentes és jó állapotban van. Ha szennyezett, távolítsa el és tisztítsa meg.
 - ▶ A habszivacs levegőszűrő elem tisztításához mossa ki otthoni tisztítószerral és forró vízzel, majd hagyja megszáradni. Ezután áztassa be tiszta, telített motorolajba, és óvatosan nyomja ki a felesleges olajat. Ha szükséges, cserélje ki egy újra.
 - ▶ A papír levegőszűrő elem tisztításához tisztítsa meg az enyhe szennyeződést úgy, hogy néhányszor óvatosan ragasszon rá egy kemény felületre, és cserélje ki, ha erős szennyeződés van jelen.
3. Tisztítsa meg a levegőszűrő házának belsejét, és fedje le a szennyeződéstől egy puha ruhával. Ha a motor olajfürdő típusú légszűrővel van felszerelve, cserélje ki az olajat új motorolajra.
4. Helyezze vissza a levegőszűrő elemet, és a fordított eljárás szerint tegye vissza a levegőszűrő fedelét.

FIGYELEM

Soha ne tisztítsa a légszűrőt gyúlékony vagy alacsony lobbánáspontú tisztítószerekkel, hogy elkerülje a tűzvagy robbanásveszélyt.

JEGYZET

Ha a motor gyakran működik poros vagy más súlyos körülmények között, 10 óránként tisztítsa meg a légszűrőt, és cserélje ki az olajat újjal. Szükség esetén cserélje ki a légszűrő elemet 25 óránként.

GYÚJTÓGYERTYA

A gyújtógyertya karbantartásához (23.4. ábra):

1. Távolítsa el a gyújtógyertya sapkáját (23.1. ábra), hogy hozzáférjen a gyújtógyertyához (23.2. ábra).
2. Használjon megfelelő gyújtógyertya-szerszámot (23.3. ábra) a gyújtógyertya óvatos eltávolításához.
3. Ellenőrizze a gyújtógyertya és az elektródája állapotát. Tisztának és nem kopottnak kell lennie. Ellenőrizze, hogy a gyújtógyertya távolsága 0,7 és 0,8 mm között van. Cserélje ki a gyújtógyertyát egy újra, ha szükséges.
4. Kézrel óvatosan csavarja be a gyújtógyertyát a motorba.
5. A menet után a megfelelő gyújtógyertya-szerszámmal húzza meg a gyújtógyertyát, ügyelve arra, hogy ne használjon túlzott erőt a menetek károsodásához.
6. Helyezze vissza a gyújtógyertya sapkáját.

FIGYELEM

Soha ne engedje, hogy szennyeződés vagy törmelék

kerüljön a henger furatába. A gyújtógyertya eltávolítása előtt alaposan tisztítsa meg a gyújtógyertyát és a hengerfej területét.

ÜZEMANYAG ÜZEMELŐCSÉSZE

FIGYELEM

Az üzemanyag-karburátort csak szabadban és jól szellőző helyen tartsa karban. Győződjön meg arról, hogy a kifolyt üzemanyagot megfelelő tartályba fogja fel, és törölje le a kiömlött üzemanyagot.

Az üzemanyag ülepítő pohár karbantartásához:

1. Fordítsa az üzemanyagszelepet (24.1. ábra) „OFF” állásba.
2. Távolítsa el a karburátor tüzelőanyag-ülepítő edényét (24.3. ábra) a gumi tömítőgyűrűjével (24.2. ábra).
3. Mossa le az eltávolított részeket oldószerben, szárítsa meg alaposan.

FIGYELM

Soha ne tisztítsa a tüzelőanyag ülepítőpoharat gyúlékony vagy alacsony lobbánáspontú tisztítószerekkel, hogy elkerülje a tűz- vagy robbanásveszélyt.

4. Cserélje ki a gumi tömítőgyűrűt egy újra, ha szükséges.
5. Helyezze vissza a gumi tömítőgyűrűt és az ülepítőpoharat, és rögzítse a helyére.
6. Fordítsa az üzemanyagszelepet „BE” állásba, és ellenőrizze, hogy nem szivárog-e üzemanyag.

ÜZEMANYAGSZŰRŐ

Az üzemanyagtartály a kormányrúd típusától függően szűrővel is felszerelhető, amely a tanksapkánál található. Az üzemanyagszűrő kivehető, és rendszeresen ellenőrizni kell. Ha a szűrő szennyezett, tisztítsa meg, és szükség esetén cserélje ki egy újra. Ha az üzemanyagtartály belseje szennyezett, akkor az üzemanyagtartály tiszta benzinnel történő öblítésével tisztítható.

TISZTÍTÁS

Használjon kis puha kefét a készülék külsejének tisztításához. Ne használjon erős tisztítószereket. Az aromás olajokat, például fenyő- és citromolajat és oldószereket, például kerozint tartalmazó háztartási tisztítószerek károsíthatják a műanyag házat vagy a fogantyút. Puha ruhával törölje le a nedvességet. A fogaq és a sérvérdők vízzel tisztíthatók kerti tömlő segítségével.

TÁROLÁS

FIGYELEM

Soha ne tárolja az egységet üzemanyaggal a tartályban, és mindig hagyja lehűlni, mielőtt elrakná. A készüléket csak száraz és jól szellőző helyen tárolja.

Ha a készüléket hosszabb ideig tárolja, kövesse az alábbi tárolási eljárást:

1. Engedje le az összes üzemanyagot az üzemanyag-tartályból.
2. Fordítsa az üzemanyagszelepet „OFF” állásba. Távolítsa el a karburátor leeresztőcsavarját (24.4. ábra) és az alátétet (24.5). Győződjön meg arról, hogy a kifolyt üzemanyagot megfelelő tartályba fogja fel, és törölje le a kiömlött üzemanyagot. Ez biztosítja, hogy az összes üzemanyag kiürüljön a

- karburatorból.
3. Cserélje ki a motorolajat újra.
 4. Cserélje ki a légszűrő olaját újra, ha a légszűrő olajfűrdő típusú.
 5. Távolítsa el a gyújtógyertyát, és öntsön 30 ml kiváló minőségű motorolajat a hengerbe. Lassan húzza meg az indítókötelet, hogy eloszlassa az olajat, majd helyezze vissza a gyújtógyertyát.
 6. Alaposan tisztítsa meg az egységet, és ellenőrizze, hogy nincsenek-e laza vagy sérült részek. Javítsa meg vagy cserélje ki a sérült alkatrészeket, és húzza meg a meglazult csavarokat, anyákat vagy csavarokat.
 7. Kenje meg az összes szükséges alkatrészt olajos nedves ruhával, hogy elkerülje a rozsdá felhalmozódását.

KÖRNYEZETVÉDELEM

Hasznosítsa újra a nyersanyagokat ahelyett, hogy hulladékként dobna el. A gépet, a tartozékokat és a csomagolást szét kell válogatni a környezetbarát újrahasznosítás érdekében. A műanyag alkatrészek kategorizált újrahasznosítás céljából vannak felcímkézve.

A használt motorolajat és a tartályokat a környezettel kompatibilis módon ártalmatlanítsa. Javasoljuk, hogy zárt edényben vigye vissza a helyi újrahasznosító központba vagy szervizbe. Ne dobja a szemetesbe, ne öntse a földre, és ne öntse le a lefolyóba.

GARANCIA

Erre a termékre a törvényi/országspecifikus előírásoknak megfelelő garanciát vállalunk, amely az első felhasználó általi vásárlás napjától érvényes. A normál kopásból, túlterhelésből vagy szakszerűtlen kezelésként eredő károk nem tartoznak a garancia hatálya alá. Reklamáció esetén kérjük, küldje el a gépet teljeseen összeszerelve a kereskedőhöz vagy a hivatalos szervizközponthoz.

LIETUVIŲ

BENDRIEJI SAUGOS ĮSPĖJIMAI

Prieš naudodami šį gaminį perskaitykite ir supraskite šį savininko vadovą. Galite padėti išvengti nelaimingų atsitikimų susipažinę su savo gaminio vaidikliais ir laikydami saugaus naudojimo procedūrų bei saugos ženklų. Visada vadovaukitės sveiku protu, kad išvengtumėte visų situacijų, kurios viršija jūsų galimybes. Nenaudokite, kai esate pavargę arba apsvaigę nuo narkotikų, alkoholio ar kitų vaistų. Darbo metu pašalinus asmenis ir gyvūnus, kurie gali būti sužaloti, taip pat daktus, kurie gali būti sugadinti, laikykite atokiau. Niekada neleiskite vaikams ar žmonėms, kurie nėra supažinę su šiomis instrukcijomis, naudoti gaminį. Vietiniai įstatymai gali apriboti minimalų operatoriaus amžių. Turėkite omenyje, kad operatorius arba naudotojas yra atsakingas už nelaimingus atsitikimus ar netikėtus įvykius, įvykusius kitiems žmonėms, gyvūnams ar jų turtui. Saugokite gaminį nuo per didelės drėgmės, dulkių, purvo ar korozinių garų. Ant mašinos nemontuokite įrangos ar priedų, kurių nenumatė arba nepatvirtino gamintojas. Niekada nebandykite modifikuoti gaminio. Neleistini pakeitimai ar priedai gali sukelti rimtų kūno sužalojimų arba operatoriaus ar kitų asmenų mirtį. Kreipkitės į savo įgaliojimų platintoją dėl išmontavimo ir techninės priežiūros, kurių šiame vadove neaprašyta. Jei kas nors sulūžytų arba įvyktų nelaimingas atsitikimas dirbant, nedelsdami išjunkite mašiną ir nuneškite ją, kad išvengtumėte tolesnių pažeidimų. Jei į mašiną pateko svetimkūnis, nedelsdami ją sustabdykite, patikrinkite, ar nepažeista, ir prieš vėl paleisdami pataisykite.

APSAUGINĖ ĮRANGA

Naudodami įrenginį įsitikinkite, kad naudojate tinkamas ir sertifikuotas apsaugos priemones. Visada dėvėkite judesį netrukdančius drabužius, apsaugines pirštines, akinius, respiratorių su puskaube, ausų apsaugas ir apsauginius batus nuo kirpimo neslystančiais padais. Niekada nedėvėkite šalikų, vėrinių, kabančių ar besiplečiančių priedų ir drabužių, kurie gali įstrigti mašinoje. Suriškite plaukus, jie jie ilgi.

NUODIJIMŲ PAVOJUS

Dirbkite tik lauke ir gerai vėdinamose patalpose. Veikdamas variklis išskiria nuodingą anglies monoksido – bekvapį ir bespalvį dujas. Įkvėpus anglies monoksido gali atsirasti pykinimas, alpimas arba mirtis. Nenaudokite mašinos uždaroje erdvėje, kur gali susidaryti pavojingi anglies monoksido garai, arba šalia atvirų langų. Degalai ir alyva yra labai toksiški. Nejkvėpkite kuro garuojančių dujų ir dirbdami su jomis visada dėvėkite atitinkamas apsaugines priemones. Kurą ir alyvą visada laikykite patvirtintose talpyklose ir atsakingai išmeskite.

GAISRO IR NUDEGIMO PAVOJUS

Kai kurios mašinos dalys pakankamai įkaista, kad užsidegtų degios medžiagos. Nenaudokite vietoje, kuriose yra didelis gaisro pavojus. Nenukreipkite duslintuvo, taigi ir išmetamųjų dujų į degias medžiagas.

Kai kurios mašinos dalys pakankamai įkaista, kad sukeltų nudegimų. Nelieskite jų, kad nesusidegintumėte. Prieš padėdami į vietą, leiskite mašinai atvėsti.

Benzinas ir alyva yra degūs. Prieš naudodami vadovaukitės kiekvieno gamintojo pateiktomis instrukcijomis. Galimi ugnies ar kibirkšties šaltiniai visada turi būti atokiau. Nerūkykite šalia mašinos, kuro ir alyvos. Degalų pildymas tik lauke, gerai vėdinamoje vietoje, išjungus variklį. Lėtai atidarykite degalų baką, kad slėgis viduje palaipsniui mažėtų. Neperpildykite degalų bako. Įsitinkinkite, kad tarp bet kurio atsarginio benzino bako ir įrenginio yra tam tikras atstumas, kad išvengtumėte nereikalingo pavojaus. Prieš užvesdami variklį įsitinkinkite, kad visi išsilieję degalai ir alyva buvo nuvalyti.

Kilus gaisrui, naudokite tinkamą gesintuvą, specialiai sukurtą naftos ir benzino gaisru.

KATEGORIJOS SAUGOS ĮSPĖJIMAI

SAUGI EKSPLOATACIJA

Visos mašinos valdymo svirtys turi lengvai judėti iš vienos padėties į kitą ir nereikės veržti. Sankabos ir atbulinės eigos svirtys (jei taikoma) turi automatiškai ir greitai grįžti į neutralią padėtį. Elektros laidai, ypač uždegimo žvakės laidas, turi būti nepriekaištingos būklės, kad nesusidarytų kibirkštys, o uždegimo žvakės dangtelis turi būti tinkamai uždėtas ant uždegimo žvakės. Rankenos ir apsaugos įtaisai turi būti švarūs ir sausi, taip pat patikimai pritvirtinti prie mašinos.

Prieš pradėdami dirbti, visada patikrinkite, ar nėra objektų, kurie gali užblokuoti oro įleidimo ekraną. Užsikimšusi oro įsiurbimo anga sumažina mašinos našumą ir padidina variklio darbinę temperatūrą, o tai gali sukelti variklio gedimą.

Įsitinkinkite, kad išjungėte variklį:

- ▶ Montuojant arba nuimant priedus.
- ▶ Judant tarp darbo zonų arba virš asfaltuotų zonų ir žemės klūčių.
- ▶ Kai paliekate mašiną be priežiūros.
- ▶ Degalų papildymo metu.
- ▶ Valymo ar priežiūros metu.
- ▶ Transportavimo metu.
- ▶ Prieš sandėliavimą.

SUKIANČIŲ DALIŲ PAVOJUS

Besisukančios dalys gali rimtai susižaloti. Nelieskite besisukančių dalių, kai jos vis dar sukasi. Niekada neikiškite rankų ar kojų į siurblio korpusą, kai veikia variklis. Niekada nenaudokite variklio, kai siurblio korpusas yra išardytas.

TRIUŠKO IR VIBRACIJA PAVOJUS

Šioje instrukcijoje nurodyti triukšmo ir vibracijos lygiai yra didžiausi mašinos naudojimo lygiai. Nepakankama priežiūra turi didelę įtaką vibracijos ir triukšmo emisijai. Vadinasi, būtina imtis preven-

cinių priemonių, kad būtų pašalinta galima žala dėl didelio triukšmo ir vibracijos įtempimo. Gerai prižiūrėkite mašiną, mūvėkite ausų apsaugos priemonės, antivibracines pirštines ir dirbdami darykite pertraukas. Darbo dienos metu darykite dažnas ir pakankamas pertraukas, kad išvengtumėte vibracijos ir ausų pažeidimų.

PAVOJAI DARBO ZONOJE

Kruopščiai apžiūrėkite visą darbo zoną ir pašalinkite viską, ką mašina gali išskirti, būti pavojingu šaltiniu arba sugadinti mašiną (akmenis, šakas, geležinę vielą, kaulus ir kt.). Patikrinkite, ar bent 15 metrų atstumu nuo mašinos veikimo diapazono nėra pašalinių asmenų, gyvūnų ar daiktų, kurie galėtų būti pažeisti.

Dirbkite tik dienos šviesoje arba esant tinkamam dirbtiniam apšvietimui, esant geram matomumui. Stenkitės nekelti triukšmo, naudodami šį įrenginį tik tinkamu paros metu.

Užimkite tvirtą ir gerai subalansuotą poziciją. Jei įmanoma, nedirbkite ant šlapios, slidžios žemės arba bet koku atveju nelygioje ar stačioje vietoje, kuri negarantuoja stabilumo operatoriui ar tinkamų mašinos veikimo sąlygų.

LIKUSI PAVOJAI

Mašina buvo pagaminta naudojant šiuolaikines technologijas ir laikantis pripažintų saugos taisyklių. Net ir įgyvendinus visas saugos priemones, gali kilti tam tikrų pavojų, kurie dar nėra akivaizdūs. Operatorius turi vadovautis sveiku protu ir imtis būtinų atsargumo priemonių, kad išvengtų rizikos dėl likusių pavojų.

PRODUKTO SPECIFIKACIJOS

PASKIRTIS

Ši mašina sukurta ir pagaminta vandens perdavimui, pvz. šiltnamiuose, soduose, soduose. Švaraus vandens ir aukšto slėgio siurbliai skirti siurbti tik švarų vandenį. Cheminiai siurbliai skirti siurbti švarų vandenį, silpną rūgščių bazę (PH 4-11) ir aukštos užsiliepsnojimo temperatūros skysčius arba jūros vandenį. Pusiau šiukšlių (nuotekų) siurbliai skirti siurbti švarų vandenį arba vandenį, kuriame yra minkštų kietųjų dalelių, kurių skersmuo ne didesnis kaip 25,4 mm. Šiukšlių (purvo) siurbliai skirti siurbti švarų vandenį arba vandenį, kuriame yra kietųjų dalelių, kurių skersmuo ne didesnis kaip 25,4 mm iki 50%.

Bet koks kitas naudojimas, kuris skiriasi nuo pirmiau minėtų, gali būti pavojingas, pakenkti žmonėms ir sugadinti daiktus bei pačią mašiną.

NETINKAMAS NAUDOJIMAS

Mašina negali būti naudojama pavojingoms medžiagoms siurbti, pvz. susikaupę degūs ar sprogūs produktai, karštos žarijos ar degančios medžiagos be liepsnos, degančios cigaretės, stiklas, aštrūs daiktai, metaliniai daiktai, akmenys ir bet koks kitas daiktas, kuris gali būti pavojingas pačiai mašini, taip pat operatoriui, pašaliniam asmeniui, gyvūnams ar nuosavybė.

Kiti netinkamo naudojimo pavyzdžiai gali apimti,

bet tuo neapsiribojant, mašinos veikimą:

- ▶ Be originalių gamintojo pateiktų priedų.
- ▶ Su originaliais priedais, bet ne pagal instrukcijas.
- ▶ Be originalių atsarginių dalių.
- ▶ Su neleistiniais pakeitimais.
- ▶ Daugiau nei vieno asmens.

TECHNINIAI DUOMENYS 94 PSL

IDENTIFIKACIJA

GWP 40/79 PLUS (1 pav.)

1. Kuro bako dangtelis
2. Kuro bakas
3. Starterio rankena
4. Droselio svirtis
5. Oro filtras
6. Kuro jungiklis
7. Droselio svirtis
8. Transportavimo rankena
9. Uždegimo žvakė
10. Duslintuvas
11. Siurblio užpildymo dangtelis
12. Siurbimo anga (įleidimo anga)
13. Siurblio išleidimo kamštis
14. Variklio alyvos išleidimo kaištis
15. Variklio alyvos matuoklis
16. Išleidimo anga (išleidimo anga)
17. ON / OFF jungiklis

GWP 50/209 PLUS, GWP 50/212 PRO, GWP 80/212 PRO (2 pav.)

1. Rėmas
2. Siurblio užpildymo dangtelis
3. Išleidimo anga (išleidimo anga)
4. ON / OFF jungiklis
5. Variklio alyvos matuoklis
6. Starterio rankena
7. Kuro bako dangtelis
8. Oro filtras
9. Duslintuvas
10. Variklio alyvos išleidimo kaištis
11. Siurblio išleidimo kamštis
12. Siurbimo anga (įleidimo anga)
13. Kuro bakas

GWP 80/212 ST PRO (3 pav.)

1. Rėmas
2. Siurblio užpildymo dangtelis
3. Siurblio gaubto T tipo varžtas
4. ON / OFF jungiklis
5. Variklio alyvos matuoklis
6. Variklio alyvos išleidimo kaištis
7. Starterio rankena
8. Kuro bakas
9. Kuro bako dangtelis
10. Oro filtras
11. Duslintuvas
12. Siurblio išleidimo kamštis
13. Siurbimo anga (įleidimo anga)
14. Išleidimo anga (išleidimo anga)

GWP 80/301 FT PRO (4 pav.)

1. Rėmas
2. Išleidimo anga (išleidimo anga)

3. ON / OFF jungiklis
4. Variklio alyvos matuoklis
5. Variklio alyvos išleidimo kaištis
6. Starterio rankena
7. Kuro bakas
8. Kuro bako dangtelis
9. Oro filtras
10. Duslintuvas
11. Siurblio dangtelio rankenėlė
12. Siurblio išleidimo kamštis
13. Siurbimo anga (įleidimo anga)
14. Siurblio užpildymo dangtelis

GWP 50/212 H PRO, GWP 50/389 H PRO (5 pav.), GWP 50/212 H2 PRO (6 pav.)

1. Rėmas
2. Išleidimo anga (išleidimo anga)
3. ON / OFF jungiklis
4. Variklio alyvos matuoklis
5. Variklio alyvos išleidimo kaištis
6. Starterio rankena
7. Kuro bakas
8. Kuro bako dangtelis
9. Oro filtras
10. Duslintuvas
11. Siurblio išleidimo kamštis
12. Siurbimo anga (įleidimo anga)
13. Siurblio užpildymo dangtelis

GWP 50/212 CH PRO, GWP 80/212 CH PRO (7 pav.)

1. Rėmas
2. Siurblio užpildymo dangtelis
3. ON / OFF jungiklis
4. Variklio alyvos matuoklis
5. Variklio alyvos išleidimo kaištis
6. Starterio rankena
7. Kuro bakas
8. Kuro bako dangtelis
9. Oro filtras
10. Duslintuvas
11. Siurblio išleidimo kamštis
12. Siurbimo anga (įleidimo anga)
13. 1 išleidimo anga (išvadas)

OPERACIJA

PARUOŠIMAS

Išpakavimas ir surinkimas turi būti atliekamas ant lygaus ir stabilaus paviršiaus, turint pakankamai vietos mašinai ir jos pakuotėms perkelti, visada naudojant tinkamą įrangą. Jei reikia, surinkimą turėtų atlikti apmokytas personalas artimiausioje pardavėjo parduotuvėje.

Degalų tiekimas ir tepimas

ĮSPĖJIMAS

Mašina pristatoma be alyvos ir degalų.

Šiame gaminyje yra 4 taktų variklis, todėl degalų bake turi būti naudojamas perkeliamas, o variklis turi būti užpildytas alyva.

Degalų specifikacijos: bešvinis benzinas arba 90 didesnio oktano skaičiaus.

Degalų bako talpa: žr. „TECHNINIŲ DUOMENŲ

LENTELĖ“

Norėdami užpildyti mašiną degalų:

1. Nuimkite degalų bako dangtelį.
2. Įpilkite degalų iki viršutinio kuro bako lygio. Palikite mažiausiai 5 mm tarpą tarp degalų viršaus ir bako vidinio krašto, kad galėtų išsiplėsti. Pusė kuro bako dangtelio filtro ilgio (9 pav.) taip pat gali veikti kaip viršutinis degalų lygio ženklas, jei yra.
3. Vėl uždėkite degalų bako dangtelį ir tinkamai priveržkite.

ISPĖJIMAS

Degalams laikyti visada naudokite švarų indą ir nenaudokite kuro, laikomo ilgiau nei mėnesį.

Alyvos specifikacijos: Bendram naudojimui (5°C - 38°C) rekomenduojama 4 taktų variklio alyva SAE 10W30 (8 pav.).

Variklio alyvos talpa: žr. „TECHNINIŲ DUOMENŲ LENTELĖ“

Norėdami užpildyti variklį alyva:

1. Nuimkite alyvos pildymo angos dangtelį (10.1 pav.) nuo variklio alyvos pildymo angos kaklelio (10.2 pav.). Apatinė jo dalis yra alyvos lygio indikatorius.
2. Palaipsniui įpilkite tiek alyvos, kad alyvos lygis pasiektų alyvos įpylimo angos angą iki viršutinio lygio (10.3 pav.) ir ne žemiau nei apatinis (10.4 pav.).
3. Vėl uždėkite alyvos pildymo angos dangtelį ir tinkamai priveržkite.

ISPĖJIMAS

Norėdami išvengti degalų ar alyvos išsiliejimo, naudokite piltuvą. Prieš užvesdami variklį, nuvalykite išsiliejusius degalus ir alyvą.

Siurblio pasirinkimas

Tinkamas siurblio modelis pirmiausia turi būti parinktas pagal siurbiamąjį skystį, o po to pagal konkrečius naudojamo įrenginio poreikius. Patyręs inžinierius turėtų padėti jums tinkamai apskaičiuoti konkrečius sąrankos, kuriai planuojate naudoti siurbį, poreikius. Įvertinę reikiamus srauto ir slėgio pakėlimo duomenis, galite naudoti našumo grafikus (25-34 pav.) ir pasirinkti tinkamiausią siurblio modelį.

Vieneto išdėstymas

Įrenginys turi būti eksploatuojamas ant stabilios ir lygios žemės, kad nebūtų pažeistas įrenginys ir jis veiktų maksimaliai. Idealiu atveju siurblys turėtų būti pastatytas šalia vandens šaltinio lygio ir naudoti ne ilgesnes žarnas, nei reikia darbu. Siurbimo ir išleidimo žarnų ilgis, tipas ir dydis gali labai paveikti siurblio galios našumą. Taip pat atkreipkite dėmesį, kad padidėjus siurbimo (11.2 pav.) arba išmetimo stulpui (11.3 pav.), dėl to padidėja bendra slėgio aukštis (11.1 pav.), siurblio galios našumas mažėja. Taip pat labai svarbu sumažinti siurbimo aukštį pastatant siurbį šalia vandens lygio, kad trumpėtų savaiminio įsiurbimo laikas.

Siurbimo žarnos montavimas

Norėdami sumontuoti siurbimo žarną (12.6 pav.) prie siurblio įsiurbimo angos (12.1 pav.), naudokite sandariklį (12.2 pav.), žarnos jungtį (12.3 pav.),

žarnos jungties spaustuką (12.4 pav.) ir žarną spaustuką (12.5 pav.), kaip parodyta 12 pav. Rekomenduojama naudoti siurbimo žarną, kurios skersmuo toks pat kaip siurbimo anga, kad išvengtumėte veikimo praradimo dėl vandens trinties su žarnos sienelių vidinėmis sienelėmis arba srauto sutrikimų. . Kitame siurbimo žarnos gale (13.3 pav.) įstatykite koštuvą (13.1 pav.) naudodami žarnos spaustuką (13.2 pav.), kaip parodyta 13 pav. Koštuvais padės išvengti siurblio užsikimšimo ar sugadinimo bet kokiais šiukšlėmis, esančiomis pumpuojamame vandenyje.

Išleidimo žarnos montavimas

Norėdami sumontuoti išleidimo žarną (14.3 pav.) prie siurblio išleidimo angos (14.2 pav.), naudokite sandariklį, žarnos jungtį, žarnos jungties spaustuką ir žarnos spaustuką (14.2 pav.), kaip parodyta 14 pav. Rekomenduojama naudoti tokio paties skersmens išleidimo žarną kaip išleidimo anga, kad išvengtumėte veikimo praradimo dėl vandens trinties su žarnos sienelių vidinėmis sienelėmis arba srauto sutrikimų. Tvirtai priveržkite žarnos spaustuką, kad išleidimo žarna neatsijungtų esant aukštam slėgiui.

Siurblio užpildymas

Prieš paleidžiant variklį, siurblio korpuso vidus turi būti užpildytas švariu vandeniu.

ISPĖJIMAS

Siurblys niekada neturėtų būti naudojamas sausai, kad dėl aukštos temperatūros ir trinties nebūtų pažeisti sandarikliai ir besisukančios siurblio dalys.

Norėdami užpildyti siurbį:

1. Nuimkite siurblio užpildymo dangtelį (15.1 pav.).
2. Pripildykite siurbį švaraus vandens (15.2 pav.).
3. Vėl uždėkite siurblio užpildymo dangtelį ir tinkamai priveržkite.

ĮRENGINIO PALEIDIMAS

Prieš paleisdami mašiną:

1. Įsitikinkite, kad ir mašina, ir jūs esate ant stabilios žemės.
2. Patikrinkite, ar visi tvirtinimo elementai yra pritvirtinti.
3. Paruoškite įsiurbimo ir išleidimo žarnas ir įsitikinkite, kad jos tinkamai sumontuotos.
4. Patikrinkite, ar oro filtras yra švarus ir ar oro lėidimo ir išleidimo angos neužkimštos pašalinių medžiagų.
5. Įpilkite reikiamą kiekį alyvos ir degalų.
6. Užpildykite siurbį.

Norėdami paleisti mašiną:

1. Pasukite kuro vožtuvo svirtį (16.1 pav.) į padėtį „ON“.
2. Perkelkite droselio svirtį (17.1 pav.) į padėtį „CHOKE“.

PASTABA

Šis veiksmas taikomas tik šaltam variklio užvedimui. Kai variklis jau įšilęs arba aplinkos temperatūra aukšta, droselio svirtis visą laiką turi būti padėtyje „RUN“.

3. Įjungimo / išjungimo jungiklį nustatykite į pa-

- dėtį „ON“ (18.1 pav.).
4. Pasukite droselio svirtį (19.1 pav.) 1/3 link „A“ (didelio greičio) padėties.
 5. Kaire ranka tvirtai suimkite už mašinos rankenos, o dešine – už variklio starterio rankenos (20.2 pav.). Traukite starterio rankeną, kol pajusite pasipriešinimą, kad įjungtumėte variklį, tada tvirtai traukite, kad užvestumėte variklį.

ISPĖJIMAS

Kad nenutrūktų starterio virvė (20.1 pav.), netraukite jos per visą ilgį ir neleiskite slysti kabelio kreipiklio angos kraštu. Palaipsniui atleiskite starterį, kad neleistumėte jam nevaldomai skristi atgal.

6. Kai variklis įšyla, palaipsniui perkeltite droselio svirtį į „RUN“ padėtį, jei variklis buvo užvestas šaltai.

PASTABA

Norėdami užtikrinti maksimalų našumą ir patikimumą, leiskite varikliui sušilti prieš pradėdami dirbti visa apkrova, 2–3 minutes paleiskite jį tuščiąja eiga.

7. Kai variklis įšyla, perkeltite droselio svirtį į „A“ (didelio greičio) padėtį, kad užsidarytų savaime, ir patikrinkite siurblio galią.

JRENGINIO VALDYMAS

Droselio svirtis

Išėjimo srautas valdomas reguliuojant variklio sūkius, perkeliant droselio svirtį tarp „A“ (didelis greitis) ir „B“ (mažas greitis) padėčių. Padidinus variklio sūkius, padidėja siurblio išėjimo srautas. Sumažėjus variklio sūkiams, sumažėja siurblio išėjimo srautas.

JRENGINIO SUSTABDYMAS

Norėdami sustabdyti mašiną:

1. Sumažinkite variklio greitį perkeldami droselio svirtį į „B“ (mažo greičio) padėtį.
2. Pasukite įjungimo / išjungimo jungiklį į padėtį „OFF“ (18.2 pav.).
3. Perkeltite kuro vožtuvo svirtį į padėtį „OFF“.
4. Nuimkite siurblio išleidimo kaištį ir ištuštinkite siurblio korpuso kamerą.
5. Nuimkite siurblio užpildymo dangtelį ir išplaukite siurblio korpuso kamerą švari vandeniu, kad pašalintumėte pumpuojamo vandens likučius arba pašalines medžiagas, kurios galėtų sugadinti siurbli.
6. Leiskite visam vandeniui nutekėti iš siurblio korpuso kameros.
7. Vėl uždėkite siurblio užpildymo dangtelį ir siurblio išleidimo kaištį ir tinkamai priveržkite.

PRIEŽIŪRA IR VALYMAS

ISPĖJIMAS

Niekada nedarykite priežiūros ar valymo įrenginiu veikiant. Visada dirbkite su vėsiu įrenginiu. Prieš valydami arba atlikdami techninės priežiūros darbus, atjunkite uždegimo žvakės dangtelį ir perskaitykite atitinkamas instrukcijas. Visada dėvėkite tinkamus drabužius ir dėvėkite apsaugines pirštines, kai kyla pavojus jūsų rankoms.

Bet kokius šiam vadove neaprašytus regula-

vimus ar techninės priežiūros darbus turi atlikti pardavėjas arba specializuotas techninės priežiūros centras, turintis reikiamų žinių ir įrangos, kad būtų užtikrinta, jog darbas būtų atliktas teisingai, išlaikant pradinį mašinos saugos lygį. Bet kokios operacijos, atliekamos neįgaliojantose centruose arba ne kvalifikuotų asmenų, visiškai panaikins garantiją ir visus gamintojo įsipareigojimus bei atsakomybę.

Priveržkite visas varžles ir varžtus, kad įsitikintumėte, jog mašina visada yra saugios darbinės būklės. Įprasta priežiūra yra būtina siekiant užtikrinti saugumą ir išlaikyti aukštą našumo lygį.

ISPĖJIMAS

Niekada nenaudokite mašinos su susidėvėjusiomis ar pažeistomis dalimis. Sugedusios arba susidėvėjusios dalys visada turi būti pakeistos, o ne taisomos. Naudokite tik originalias atsargines dalis.

PRIEŽIŪROS GRAFIKAS

Daiktai		Dažnis				
		Prieš kiekvieną naudojimą	Po 1 mėnesio arba pirmųjų 20 darbo valandų	Kas 3 mėnesius arba 50 darbo valandų	Kas 12 mėnesių arba 100 darbo valandų	Kas 24 mėnesius arba 250 darbo valandų
Pilnas vienetas	Apžiūra	✓				
Valdymo rankenos	Patikrinkite veikimą	✓				
Kibirkšties slopintuvus (jei yra)	Patikrinti			✓*		
variklio alyva	Patikrinti – papildyti	✓				
	Pakeiskite		✓	✓		
Oro filtras	Patikrinti	✓				
	Švarus		✓			
	Pakeiskite			✓		
Uždegimo žvakė	Patikrinkite – sureguliuokite		✓		✓*	
Kuro linija ir filtras	Patikrinkite – išvalykite**				✓*	
Kuro bakas	Patikrinkite – išvalykite**					✓*
Indėlio taurė (jei yra)	Švarus		✓	✓		
Vožtuvo tarpas	Patikrinkite – sureguliuokite **				✓	
Degimo kamera	Patikrinkite – išvalykite**					✓*

* Jei reikia, šiuos elementus reikia pakeisti.

**Šias operacijas turi atlikti tik įgaliotasis atstovas, turintis tinkamus įrankius ir reikiamus mechaninius įgūdžius.

VARIKLIO ALYVA**JSPĖJIMAS**

Lygio tikrinimas ir alyvos keitimas turi būti atliekamas ant tvirtos ir lygios žemės. Variklis visada turi būti sustabdytas. Jei variklis būtų dirbęs, jis bus karštas, todėl procedūrą reikia atlikti atsargiai ir imtis būtinų atsargumo priemonių, kad būtų išvengta nudegimų.

PASTABA

Išleiskite panaudotą alyvą, kol variklis šiltas. Šiltas aliejus greitai ir visiškai nuteka.

Norėdami patikrinti alyvos lygį:

1. Nuimkite alyvos pildymo angos dangtelį (21.6 pav.) nuo variklio alyvos pildymo angos kaklelio (21.1 pav.).
2. Patikrinkite alyvos lygį. Alyvos lygis turi siekti alyvos įpylimo angos angą (21.7 pav.). Jei reikia, įpilkite tiek alyvos, kad alyvos lygis pasiektų alyvos įpylimo angos angą iki viršutinio lygio (10.3 pav.) ir ne žemiau nei apatinis (10.4 pav.).
3. Vėl uždėkite alyvos pildymo angos dangtelį ir tinkamai priveržkite.

Norėdami pakeisti alyvą:

1. Nuimkite alyvos pildymo angos dangtelį nuo variklio alyvos įpylimo angos.
2. Po alyvos išleidimo angą (21.2 pav.) padėkite tinkamą indą (21.3 pav.), kad surinktų panaudotą alyvą.
3. Išimkite alyvos išleidimo kaištį (21.4 pav.) ir poveržlę (21.5 pav.), kad alyva visiškai ištekėtų.
4. Vėl uždėkite alyvos išleidimo kaištį su poveržle ir tinkamai priveržkite.
5. Palaipsniui įpilkite tiek alyvos, kad alyvos lygis pasiektų alyvos įpylimo angos angą iki viršutinio lygio (10.3 pav.) ir ne žemiau nei apatinis (10.4 pav.).
6. Vėl uždėkite alyvos pildymo angos dangtelį ir tinkamai priveržkite.

PASTABA

Jei variklis dažnai dirba labai dulketomis ar kitomis sunkiomis aplinkybėmis, pakeiskite variklio alyvą kas 25 valandas.

JSPĖJIMAS

Varikliui veikiant sumažėjęs alyvos lygis sugadins variklį.

ORO FILTRAS**JSPĖJIMAS**

Jei variklis veikia be oro valytuvo arba su pažeistu oro valytuvu, į variklį pateks nešvarumų, dėl kurių variklis greitai nusidėvės.

Norėdami patikrinti, išvalyti arba pakeisti oro filtrą:

1. Nuimkite oro filtro dangtelį (22.1 pav.).
2. Įsitikinkite, kad oro filtro elementas (22.2 pav.) yra švarus ir geros būklės. Jei jis nešvarus, nuimkite ir nuvalykite.
 - ▶ Norėdami išvalyti putplasčio oro filtro elementą, nuplaukite jį naminiu plovikliu ir karštu vandeniu ir leiskite išdžiūti. Tada pamirkykite jį švarioje prisotintoje variklio alyvoje ir švelniai išspauskite alyvos perteklių. Jei reikia, pakeiskite jį nauju.
 - ▶ Norėdami išvalyti popierinį oro filtro elementą, nuvalykite lengvus nešvarumus kelis kartus švelniai prikliudami juos ant kieto paviršiaus ir pakeiskite, jei yra daug nešvarumų.
3. Nuvalykite oro filtro korpuso vidų ir uždenkite nuo nešvarumų minkšta šluoste. Jei variklyje yra alyvos vonios tipo oro filtras, pakeiskite alyvą nau-

ja variklio alyva.

4. Vėl įstatykite oro filtro elementą ir atlikite atvirkštinę procedūrą, kad grąžintumėte oro filtro dangtelį.

JSPĖJIMAS

Niekada nevalykite oro filtro degiais arba žemos plūpsnio temperatūros plovikliais, kad išvengtumėte gaisro ar sprogmio pavojaus.

PASTABA

Jei variklis dažnai dirba dulketomis ar kitomis sunkiomis aplinkybėmis, išvalykite oro filtrą kas 10 valandų ir įpilkite alyvą nauja. Jei reikia, keiskite oro filtro elementą kas 25 valandas.

UŽDEGIMO ŽVAKĖ

Norėdami prižiūrėti uždegimo žvakę (23.4 pav.):

1. Nuimkite uždegimo žvakės dangtelį (23.1 pav.), kad pasiektumėte uždegimo žvakę (23.2 pav.).
2. Naudokite atitinkamą uždegimo žvakės įrankį (23.3 pav.), kad atsargiai ištrauktumėte uždegimo žvakę.
3. Patikrinkite uždegimo žvakės ir jos elektrodo būklę. Ji turi būti švari ir nedėvėta. Patikrinkite, ar tarpas tarp uždegimo žvakių yra nuo 0,7 iki 0,8 mm. Jei reikia, pakeiskite uždegimo žvakę nauja.
4. Ranka atsargiai įkiškite uždegimo žvakę į variklį.
5. Įsriegę sriegį, naudokite atitinkamą uždegimo žvakės įrankį, kad priveržtumėte uždegimo žvakę, atkreipkite dėmesį, kad nepažeistumėte sriegių per didelės jėgos.
6. Vėl uždėkite uždegimo žvakės dangtelį.

JSPĖJIMAS

Niekada neleiskite purvui ar šiukšlėms patekti į cilindro angą. Prieš išimdami uždegimo žvakę, kruopščiai nuvalykite uždegimo žvakę ir cilindro galvutės sritį.

KURO NUODUODŲ TAURAS**JSPĖJIMAS**

Degalų karbiuratorių prižiūrėkite tik lauke ir gerai vėdinamoje vietoje. Įsitikinkite, kad išpiltus degalus surinkote į atitinkamą indą ir nuvalykite išsiliejusius degalus.

Norėdami prižiūrėti kuro nuosėdų indelį:

1. Pasukite kuro vožtuvą (24.1 pav.) į „OFF“ padėtį.
2. Nuimkite karbiuratoriaus kuro nuosėdų taurelę (24.3 pav.) su guminiu sandariklio žiedu (24.2 pav.).
3. Nuimtas dalis nuplaukite tirpiklyje, gerai išdžiovinkite.

JSPĖJIMAS

Niekada nevalykite degalų nuosėdų puodelio degiaisiais arba žemos plūpsnio temperatūros plovikliais, kad išvengtumėte gaisro ar sprogmio pavojaus.

4. Jei reikia, pakeiskite guminį sandariklio žiedą nauju.
5. Vėl uždėkite guminį sandariklio žiedą ir nuosėdų taurę ir pritvirtinkite.
6. Pasukite kuro vožtuvą į padėtį „ON“ ir patikrinkite, ar nėra kuro nuotėkių.

KURO FILTRAS

Priklausomai nuo vairalazdės modelio degalų bake gali būti filtras, esantis prie degalų bako dangtelio. Kuro filtrą galima išimti ir jį reikia periodiškai tikrinti. Jei filtras yra nešvarus, išvalykite jį ir prireikus pakeiskite nauju. Jei degalų bako vidus yra nešvarus, jį galima išvalyti išskalaujant kuro baką švarių benzinu.

VALYMAS

Nedidelį minkštą šepetėlį valykite įrenginio išorę. Nenaudokite stiprių ploviklių. Buitiniai valikliai, kurių sudėtyje yra aromatinių aliejų, pvz., pušų ir citrinų, ir tirpiklių, tokių kaip žibalas, gali pažeisti plastikinį korpusą arba rankeną. Drėgmę nuvalykite minkšta šluoste. Virbalus ir sparnus galima nuplauti vandeniui naudojant sodo žarną.

SANDĖLIAVIMAS ĮSPĖJIMAS

Niekada nelaikykite įrenginio su degalų bake ir visada leiskite įrenginiui atvėsti prieš padėdami. Laikykite įrenginį tik sausose ir gerai vėdinamose patalpose.

Jei įrenginys bus saugomas ilgesnį laiką, naudokite šią saugojimo procedūrą:

1. Iš kuro bako išleiskite visus degalus.
2. Pasukite kuro vožtuvą į „OFF“ padėtį. Nuimkite karbiuratoriaus išleidimo kaištį (24.4 pav.) ir poveržlę (24.5). Įsitinkinkite, kad išpiltus degalus surinkote į atitinkamą indą ir nuvalykite išsiliejusius degalus. Tai užtikrina, kad iš karbiuratoriaus buvo išleisti visi degalai.
3. Pakeiskite variklio alyvą nauja.
4. Pakeiskite oro filtro alyvą nauja, jei oro filtras yra alyvos vonios tipo.
5. Ištraukite uždegimo žvakę ir į cilindrą įpilkite 30 ml aukštos kokybės variklio alyvos. Lėtai traukite starterio lyną, kad alyva pasiskirstytų, ir vėl įstatykite uždegimo žvakę.
6. Kruopščiai išvalykite įrenginį ir patikrinkite, ar nėra palaidų ar pažeistų dalių. Pataisykite arba pakeiskite pažeistas dalis ir priveržkite atsilaisvintus varžtus, veržles arba varžtus.
7. Visas reikalingas dalis sutepkite alyvoje drėgna šluoste, kad nesusidarytų rūdžių.

APLINKOS APSAUGA

Perdirbkite žaliavas, o ne išmeskite kaip atliekas. Mašina, priedai ir pakuotės turi būti rūšiuojamos, kad būtų galima perdirbti aplinkai nekenksmingą. Plastikiniai komponentai yra paženklinti, kad juos būtų galima perdirbti.

Panaudotą variklinę alyvą ir talpas išmeskite taip, kad jos būtų suderinamos su aplinka. Rekomenduojame nugabenti jį sandariame konteineriulyje į vietinį perdirbimo centrą arba degalinę, kad būtų galima sutvarkyti. Neišmeskite jo į šiukšliadėžę, nepilkite ant žemės ir neišpilkite į kanalizaciją.

GARANTIJA

Šiam gaminiui suteikiama garantija pagal teisinius / konkrečios šalies reglamentus, kurie galioja nuo pirmojo naudotojo įsigijimo datos. Garantija netaikoma žalai, atsiradusioms dėl normalaus nusidėvėjimo, perkrovos ar netinkamo naudojimo. Jei turite pretenzijų, visiškai surinktą mašiną nusiųskite pardavėjui arba oficialiam aptarnavimo centrui.

TECHNICAL DATA						
Article Number		46 632	46 633	46 634	46 635	46 636
Model		GWP 40/79 PLUS	GWP 50/209 PLUS	GWP 50/212 PRO	GWP 80/212 PRO	GWP 80/212 ST PRO
Type		Clean water	Clean water	Clean water	Clean water	Semi-Trash
Pump body material		Aluminum	Aluminum	Aluminum	Aluminum	Aluminum
Impeller material		Aluminum	Cast iron	Cast iron	Cast iron	Cast iron
Solid material capability - Type		N/A	N/A	N/A	N/A	Soft
Solid material capability - Maximum diameter	mm	N/A	N/A	N/A	N/A	25,4
Suction port diameter	inch	1,5	2	2	3	3
Discharge port diameter	inch	1,5	2	2	3	3
Suction head lift (maximum)	m	7	8	8	8	7
Total head lift (maximum)	m	16	28	28	28	26
Discharge capacity (maximum)	m ³ /hr	14	36	36	60	60
Engine type		4 stroke, OHV	4 stroke, OHV	4 stroke, OHV	4 stroke, OHV	4 stroke, OHV
Engine model		R80-V	R210-S	R210	R210	R210
Engine displacement	cc	78,5	209	212	212	212
Engine oil capacity	L	0,35	0,55	0,55	0,55	0,55
Spark plug gap	mm	0,7 - 0,8	0,7 - 0,8	0,7 - 0,8	0,7 - 0,8	0,7 - 0,8
Valve clearance (intake)	mm	0,10 - 0,15	0,10 - 0,15	0,10 - 0,15	0,10 - 0,15	0,10 - 0,15
Valve clearance (exhaust)	mm	0,15 - 0,20	0,15 - 0,20	0,15 - 0,20	0,15 - 0,20	0,15 - 0,20
Starting type		Recoil	Recoil	Recoil	Recoil	Recoil
Fuel type		Gasoline	Gasoline	Gasoline	Gasoline	Gasoline
Fuel tank capacity	L	1,8	3,6	3,6	3,6	3,6
Fuel consumption	g/kWh	≤ 400	≤ 395	≤ 395	≤ 395	≤ 395
Dimensions (L x W x H)	mm	355×285×385	477×395×410	477×395×410	500×395×445	552×432×450
Net weight	kg	14,0	21,0	23,5	25,5	36,0

46 637	46 638	46 639	46 640	46 641	46 642
GWP 80/301 FT PRO	GWP 50/212 H PRO	GWP 50/212 H2 PRO	GWP 50/389 H PRO	GWP 50/212 CH PRO	GWP 80/212 CH PRO
Trash	High lift	High lift	High lift	Chemical	Chemical
Aluminum	Aluminum	Aluminum	Cast iron	Polymer	Polymer
Cast iron	Aluminum	Aluminum	Aluminum	Polymer	Polymer
Hard	N/A	N/A	N/A	N/A	N/A
25,4	N/A	N/A	N/A	N/A	N/A
3	2	2	2	2	3
3	2	2,0+1,5+1,5	2	2	3
7	7	7	7	7	7
26	50	80	90	35	26
66	30	16	30	32	60
4 stroke, OHV	4 stroke, OHV	4 stroke, OHV	4 stroke, OHV	4 stroke, OHV	4 stroke, OHV
R300	R210	R210	R390	R210	R210
301	212	212	389	212	212
1,1	0,55	0,55	1,1	0,55	0,55
0,7 - 0,8	0,7 - 0,8	0,7 - 0,8	0,7 - 0,8	0,7 - 0,8	0,7 - 0,8
0,10 - 0,15	0,10 - 0,15	0,10 - 0,15	0,10 - 0,15	0,10 - 0,15	0,10 - 0,15
0,15 - 0,20	0,15 - 0,20	0,15 - 0,20	0,15 - 0,20	0,15 - 0,20	0,15 - 0,20
Recoil	Recoil	Recoil	Recoil	Recoil	Recoil
Gasoline	Gasoline	Gasoline	Gasoline	Gasoline	Gasoline
5,4	3,6	3,6	6,5	3,6	3,6
≤ 374	≤ 395	≤ 395	≤ 374	≤ 395	≤ 395
688×528×582	500×395×446	500×395×446	610×480×537	500×395×446	610×425×462
61,0	26,0	26,0	60,0	23,0	25,0

DONNÉES TECHNIQUES						
Numéro de l'article		46 632	46 633	46 634	46 635	46 636
Modèle		GWP 40/79 PLUS	GWP 50/209 PLUS	GWP 50/212 PRO	GWP 80/212 PRO	GWP 80/212 ST PRO
Type		Eau propre	Eau propre	Eau propre	Eau propre	Semi-poubelle
Matériau du corps de la pompe		Aluminium	Aluminium	Aluminium	Aluminium	Aluminium
Matériau de la roue		Aluminium	Fonte	Fonte	Fonte	Fonte
Capacité de matériau solide - Type		N/A	N/A	N/A	N/A	Soft
Capacité de matériau solide - M diamètre maximum	mm	N/A	N/A	N/A	N/A	25,4
Diamètre de l'orifice d'aspiration	inch	1,5	2	2	3	3
Diamètre de l'orifice de décharge	inch	1,5	2	2	3	3
Hauteur de la tête d'aspiration (maximum)	m	7	8	8	8	7
Hauteur totale de la tête (maximum)	m	16	28	28	28	26
Capacité de décharge (maximum)	m ³ /hr	14	36	36	60	60
Type de moteur		4 coup, OHV	4 coup, OHV	4 coup, OHV	4 coup, OHV	4 coup, OHV
Modèle de moteur		R80-V	R210-S	R210	R210	R210
Cylindrée du moteur	cc	78,5	209	212	212	212
Capacité d'huile moteur	L	0,35	0,55	0,55	0,55	0,55
Ecartement électrode bougie	mm	0,7 - 0,8	0,7 - 0,8	0,7 - 0,8	0,7 - 0,8	0,7 - 0,8
Jeu des soupapes (admission)	mm	0,10 - 0,15	0,10 - 0,15	0,10 - 0,15	0,10 - 0,15	0,10 - 0,15
Jeu des soupapes (échappement)	mm	0,15 - 0,20	0,15 - 0,20	0,15 - 0,20	0,15 - 0,20	0,15 - 0,20
Type de départ		Recul	Recul	Recul	Recul	Recul
Type de carburant		L'essence	L'essence	L'essence	L'essence	L'essence
Capacité du réservoir de carburant	L	1,8	3,6	3,6	3,6	3,6
Consommation de carburant	g/kWh	≤ 400	≤ 395	≤ 395	≤ 395	≤ 395
Dimensions (L x P x H)	mm	355×285×385	477×395×410	477×395×410	500×395×445	552×432×450
Poids net	kg	14,0	21,0	23,5	25,5	36,0

46 637	46 638	46 639	46 640	46 641	46 642
GWP 80/301 FT PRO	GWP 50/212 H PRO	GWP 50/212 H2 PRO	GWP 50/389 H PRO	GWP 50/212 CH PRO	GWP 80/212 CH PRO
Poubelle	Ascenseur élevé	Ascenseur élevé	Ascenseur élevé	Chimique	Chimique
Aluminium	Aluminium	Aluminium	Fonte	Polymère	Polymère
Fonte	Aluminium	Aluminium	Aluminium	Polymère	Polymère
Hard	N/A	N/A	N/A	N/A	N/A
25,4	N/A	N/A	N/A	N/A	N/A
3	2	2	2	2	3
3	2	2,0+1,5+1,5	2	2	3
7	7	7	7	7	7
26	50	80	90	35	26
66	30	16	30	32	60
4 coup, OHV	4 coup, OHV	4 coup, OHV	4 coup, OHV	4 coup, OHV	4 coup, OHV
R300	R210	R210	R390	R210	R210
301	212	212	389	212	212
1,1	0,55	0,55	1,1	0,55	0,55
0,7 - 0,8	0,7 - 0,8	0,7 - 0,8	0,7 - 0,8	0,7 - 0,8	0,7 - 0,8
0,10 - 0,15	0,10 - 0,15	0,10 - 0,15	0,10 - 0,15	0,10 - 0,15	0,10 - 0,15
0,15 - 0,20	0,15 - 0,20	0,15 - 0,20	0,15 - 0,20	0,15 - 0,20	0,15 - 0,20
Recul	Recul	Recul	Recul	Recul	Recul
L'essence	L'essence	L'essence	L'essence	L'essence	L'essence
5,4	3,6	3,6	6,5	3,6	3,6
≤ 374	≤ 395	≤ 395	≤ 374	≤ 395	≤ 395
688×528×582	500×395×446	500×395×446	610×480×537	500×395×446	610×425×462
61,0	26,0	26,0	60,0	23,0	25,0

DATI TECNICI						
Numero dell'articolo		46 632	46 633	46 634	46 635	46 636
Modello		GWP 40/79 PLUS	GWP 50/209 PLUS	GWP 50/212 PRO	GWP 80/212 PRO	GWP 80/212 ST PRO
Genere		Acqua pulita	Acqua pulita	Acqua pulita	Acqua pulita	Semi-Spazzatura
Materiale corpo pompa		Alluminio	Alluminio	Alluminio	Alluminio	Alluminio
Materiale della girante		Alluminio	Ghisa	Ghisa	Ghisa	Ghisa
Capacità materiale solido - Type		N/A	N/A	N/A	N/A	Soft
Capacità del materiale solido - diametro massimo	mm	N/A	N/A	N/A	N/A	25,4
Diametro della porta di aspirazione	inch	1,5	2	2	3	3
Diametro della porta di scarico	inch	1,5	2	2	3	3
Sollevamento della testa di aspirazione (massimo)	m	7	8	8	8	7
Sollevamento totale della testa (massimo)	m	16	28	28	28	26
Capacità di scarica (massima)	m ³ /hr	14	36	36	60	60
Tipo di motore		4 colpo, OHV	4 colpo, OHV	4 colpo, OHV	4 colpo, OHV	4 colpo, OHV
Modello del motore		R80-V	R210-S	R210	R210	R210
Cilindrata del motore	cc	78,5	209	212	212	212
Capacità olio motore	L	0,35	0,55	0,55	0,55	0,55
Distanza tra gli elettrodi	mm	0,7 - 0,8	0,7 - 0,8	0,7 - 0,8	0,7 - 0,8	0,7 - 0,8
Gioco delle valvole (aspirazione)	mm	0,10 - 0,15	0,10 - 0,15	0,10 - 0,15	0,10 - 0,15	0,10 - 0,15
Gioco valvole (scarico)	mm	0,15 - 0,20	0,15 - 0,20	0,15 - 0,20	0,15 - 0,20	0,15 - 0,20
Tipo di partenza		Rinculo	Rinculo	Rinculo	Rinculo	Rinculo
Tipo di carburante		Benzina	Benzina	Benzina	Benzina	Benzina
Capacità della tanica di benzina	L	1,8	3,6	3,6	3,6	3,6
Consumo di carburante	g/kWh	≤ 400	≤ 395	≤ 395	≤ 395	≤ 395
Dimensioni (L x P x A)	mm	355×285×385	477×395×410	477×395×410	500×395×445	552×432×450
Peso netto	kg	14,0	21,0	23,5	25,5	36,0

46 637	46 638	46 639	46 640	46 641	46 642
GWP 80/301 FT PRO	GWP 50/212 H PRO	GWP 50/212 H2 PRO	GWP 50/389 H PRO	GWP 50/212 CH PRO	GWP 80/212 CH PRO
Spazzatura	Elevata portanza	Elevata portanza	Elevata portanza	Chimica	Chimica
Alluminio	Alluminio	Alluminio	Ghisa	Polimero	Polimero
Ghisa	Alluminio	Alluminio	Alluminio	Polimero	Polimero
Hard	N/A	N/A	N/A	N/A	N/A
25,4	N/A	N/A	N/A	N/A	N/A
3	2	2	2	2	3
3	2	2,0+1,5+1,5	2	2	3
7	7	7	7	7	7
26	50	80	90	35	26
66	30	16	30	32	60
4 colpo, OHV	4 colpo, OHV	4 colpo, OHV	4 colpo, OHV	4 colpo, OHV	4 colpo, OHV
R300	R210	R210	R390	R210	R210
301	212	212	389	212	212
1,1	0,55	0,55	1,1	0,55	0,55
0,7 - 0,8	0,7 - 0,8	0,7 - 0,8	0,7 - 0,8	0,7 - 0,8	0,7 - 0,8
0,10 - 0,15	0,10 - 0,15	0,10 - 0,15	0,10 - 0,15	0,10 - 0,15	0,10 - 0,15
0,15 - 0,20	0,15 - 0,20	0,15 - 0,20	0,15 - 0,20	0,15 - 0,20	0,15 - 0,20
Rinculo	Rinculo	Rinculo	Rinculo	Rinculo	Rinculo
Benzina	Benzina	Benzina	Benzina	Benzina	Benzina
5,4	3,6	3,6	6,5	3,6	3,6
≤ 374	≤ 395	≤ 395	≤ 374	≤ 395	≤ 395
688×528×582	500×395×446	500×395×446	610×480×537	500×395×446	610×425×462
61,0	26,0	26,0	60,0	23,0	25,0

ΤΕΧΝΙΚΑ ΧΑΡΑΚΤΗΡΙΣΤΙΚΑ						
Κωδικός Είδους		46679	46633	46634	46635	46636
Μοντέλο		GWP 40/79 PLUS	GWP 50/209 PLUS	GWP 50/212 PRO	GWP 80/212 PRO	GWP 80/212 ST PRO
Τύπος		Καθαρού νερού	Καθαρού νερού	Καθαρού νερού	Καθαρού νερού	Ημι-ακαθάρτων
Υλικό σώματος αντλίας		Αλουμίνιο	Αλουμίνιο	Αλουμίνιο	Αλουμίνιο	Αλουμίνιο
Υλικό φτερωτής		Αλουμίνιο	Χυτοσίδηρος	Χυτοσίδηρος	Χυτοσίδηρος	Χυτοσίδηρος
Δυνατότητα μεταφοράς στερεού σώματος - Τύπος		N/A	N/A	N/A	N/A	Soft
Δυνατότητα μεταφοράς στερεού σώματος - Μέγιστη διάμετρος	mm	N/A	N/A	N/A	N/A	25,4
Διάμετρος στομίου εισαγωγής	inch	1,5	2	2	3	3
Διάμετρος στομίου εξαγωγής	inch	1,5	2	2	3	3
Ύψος αναρρόφησης (μέγιστο)	m	7	8	8	8	7
Μανομετρικό (μέγιστο)	m	16	28	28	28	26
Παροχή (μέγιστη)	m ³ /hr	14	36	36	60	60
Τύπος κινητήρα		Τετράχρονος, OHV	Τετράχρονος, OHV	Τετράχρονος, OHV	Τετράχρονος, OHV	Τετράχρονος, OHV
Μοντέλο κινητήρα		R80-V	R210-S	R210	R210	R210
Κυβισμός κινητήρα	cc	78,5	209	212	212	212
Χωρητικότητα κινητήρα σε λάδι	L	0,35	0,55	0,55	0,55	0,55
Διάκενο μπουζί	mm	0,7 - 0,8	0,7 - 0,8	0,7 - 0,8	0,7 - 0,8	0,7 - 0,8
Διάκενο βαλβίδας (εισαγωγής)	mm	0,10 - 0,15	0,10 - 0,15	0,10 - 0,15	0,10 - 0,15	0,10 - 0,15
Διάκενο βαλβίδας (εξαγωγής)	mm	0,15 - 0,20	0,15 - 0,20	0,15 - 0,20	0,15 - 0,20	0,15 - 0,20
Τύπος εκκίνησης		Χειροκίνητη	Χειροκίνητη	Χειροκίνητη	Χειροκίνητη	Χειροκίνητη
Τύπος καυσίμου		Βενζίνη	Βενζίνη	Βενζίνη	Βενζίνη	Βενζίνη
Χωρητικότητα δοχείου καυσίμου	L	1,8	3,6	3,6	3,6	3,6
Κατανάλωση καυσίμου	g/kWh	≤ 400	≤ 395	≤ 395	≤ 395	≤ 395
Διαστάσεις (ΜL x Π x Υ)	mm	355×285×385	477×395×410	477×395×410	500×395×445	552×432×450
Καθαρό βάρος	kg	14,0	21,0	23,5	25,5	36,0

46637	46638	46639	46640	46641	46642
GWP 80/301 FT PRO	GWP 50/212 H PRO	GWP 50/212 H2 PRO	GWP 50/389 H PRO	GWP 50/212 CH PRO	GWP 80/212 CH PRO
Ακαθάρτων	Υψηλού μανομετρικού	Υψηλού μανομετρικού	Υψηλού μανομετρικού	Χημικών	Χημικών
Αλουμίνιο	Αλουμίνιο	Αλουμίνιο	Χυτοσίδηρος	Πολυμερές	Πολυμερές
Χυτοσίδηρος	Αλουμίνιο	Αλουμίνιο	Αλουμίνιο	Πολυμερές	Πολυμερές
Hard	N/A	N/A	N/A	N/A	N/A
25,4	N/A	N/A	N/A	N/A	N/A
3	2	2	2	2	3
3	2	2,0+1,5+1,5	2	2	3
7	7	7	7	7	7
26	50	80	90	35	26
66	30	16	30	32	60
Τετράχρονος, OHV	Τετράχρονος, OHV	Τετράχρονος, OHV	Τετράχρονος, OHV	Τετράχρονος, OHV	Τετράχρονος, OHV
R300	R210	R210	R390	R210	R210
301	212	212	389	212	212
1,1	0,55	0,55	1,1	0,55	0,55
0,7 - 0,8	0,7 - 0,8	0,7 - 0,8	0,7 - 0,8	0,7 - 0,8	0,7 - 0,8
0,10 - 0,15	0,10 - 0,15	0,10 - 0,15	0,10 - 0,15	0,10 - 0,15	0,10 - 0,15
0,15 - 0,20	0,15 - 0,20	0,15 - 0,20	0,15 - 0,20	0,15 - 0,20	0,15 - 0,20
Χειροκίνητη	Χειροκίνητη	Χειροκίνητη	Χειροκίνητη	Χειροκίνητη	Χειροκίνητη
Βενζίνη	Βενζίνη	Βενζίνη	Βενζίνη	Βενζίνη	Gasoline
5,4	3,6	3,6	6,5	3,6	3,6
≤ 374	≤ 395	≤ 395	≤ 374	≤ 395	≤ 395
688×528×582	500×395×446	500×395×446	610×480×537	500×395×446	610×425×462
61,0	26,0	26,0	60,0	23,0	25,0

TEHNIČKI PODACI						
Broj članka		46 632	46 633	46 634	46 635	46 636
Model		GWP 40/79 PLUS	GWP 50/209 PLUS	GWP 50/212 PRO	GWP 80/212 PRO	GWP 80/212 ST PRO
Tip		Čista voda	Čista voda	Čista voda	Čista voda	Polu-đubre
Pumpa telesni materijal		Aluminijum	Aluminijum	Aluminijum	Aluminijum	Aluminijum
Impeller materijal		Aluminijum	Liveno gvožđe	Liveno gvožđe	Liveno gvožđe	Liveno gvožđe
Solidna materijalna sposobnost - Type		N/A	N/A	N/A	N/A	Soft
Solidna materijalna sposobnost - Maximum prečnik	mm	N/A	N/A	N/A	N/A	25,4
Prečnik usisavanja porta	inch	1,5	2	2	3	3
Prečnik pražnjenja porta	inch	1,5	2	2	3	3
Usisno podizanje glave (maksimalno)	m	7	8	8	8	7
Ukupno podizanje glave (maksimalno)	m	16	28	28	28	26
Kapacitet pražnjenja (maksimum)	m ³ /hr	14	36	36	60	60
Tip motora		4 moždana udara, OHV	4 moždana udara, OHV	4 moždana udara, OHV	4 moždana udara, OHV	4 moždana udara, OHV
Model motora		R80-V	R210-S	R210	R210	R210
Premeštanje motora	cc	78,5	209	212	212	212
Kapacitet motornog ulja	L	0,35	0,55	0,55	0,55	0,55
Razmak između svećica	mm	0,7 - 0,8	0,7 - 0,8	0,7 - 0,8	0,7 - 0,8	0,7 - 0,8
Čišćenje ventila (unos)	mm	0,10 - 0,15	0,10 - 0,15	0,10 - 0,15	0,10 - 0,15	0,10 - 0,15
Čišćenje ventila (izduvni gasovi)	mm	0,15 - 0,20	0,15 - 0,20	0,15 - 0,20	0,15 - 0,20	0,15 - 0,20
Početni tip		Trzaj	Trzaj	Trzaj	Trzaj	Trzaj
Tip goriva		Benzin	Benzin	Benzin	Benzin	Benzin
Kapacitet rezervoara za gorivo	L	1,8	3,6	3,6	3,6	3,6
Potrošnja goriva	g/kWh	≤ 400	≤ 395	≤ 395	≤ 395	≤ 395
Dimenzije (L x W x H)	mm	355×285×385	477×395×410	477×395×410	500×395×445	552×432×450
Neto težina	kg	14,0	21,0	23,5	25,5	36,0

46 637	46 638	46 639	46 640	46 641	46 642
GWP 80/301 FT PRO	GWP 50/212 H PRO	GWP 50/212 H2 PRO	GWP 50/389 H PRO	GWP 50/212 CH PRO	GWP 80/212 CH PRO
Pubre	Visoko podizanje	Visoko podizanje	Visoko podizanje	Hemijski	Hemijski
Aluminijum	Aluminijum	Aluminijum	Liveno gvožđe	Polimer	Polimer
Liveno gvožđe	Aluminijum	Aluminijum	Aluminijum	Polimer	Polimer
Hard	N/A	N/A	N/A	N/A	N/A
25,4	N/A	N/A	N/A	N/A	N/A
3	2	2	2	2	3
3	2	2,0+1,5+1,5	2	2	3
7	7	7	7	7	7
26	50	80	90	35	26
66	30	16	30	32	60
4 moždana udara, OHV	4 moždana udara, OHV	4 moždana udara, OHV	4 moždana udara, OHV	4 moždana udara, OHV	4 moždana udara, OHV
R300	R210	R210	R390	R210	R210
301	212	212	389	212	212
1,1	0,55	0,55	1,1	0,55	0,55
0,7 - 0,8	0,7 - 0,8	0,7 - 0,8	0,7 - 0,8	0,7 - 0,8	0,7 - 0,8
0,10 - 0,15	0,10 - 0,15	0,10 - 0,15	0,10 - 0,15	0,10 - 0,15	0,10 - 0,15
0,15 - 0,20	0,15 - 0,20	0,15 - 0,20	0,15 - 0,20	0,15 - 0,20	0,15 - 0,20
Trzaj	Trzaj	Trzaj	Trzaj	Trzaj	Trzaj
Benzin	Benzin	Benzin	Benzin	Benzin	Benzin
5,4	3,6	3,6	6,5	3,6	3,6
≤ 374	≤ 395	≤ 395	≤ 374	≤ 395	≤ 395
688×528×582	500×395×446	500×395×446	610×480×537	500×395×446	610×425×462
61,0	26,0	26,0	60,0	23,0	25,0

TEHNIČKI PODACI						
Broj artikla		46 632	46 633	46 634	46 635	46 636
Model		GWP 40/79 PLUS	GWP 50/209 PLUS	GWP 50/212 PRO	GWP 80/212 PRO	GWP 80/212 ST PRO
Tip		Čista voda	Čista voda	Čista voda	Čista voda	Polu-smeće
Pumpa materijal za tijelo		Aluminija	Aluminija	Aluminija	Aluminija	Aluminija
Impeller materijal		Aluminija	Lijeivano željezo	Lijeivano željezo	Lijeivano željezo	Lijeivano željezo
Sposobnost čvrstog materijala - Type		N/A	N/A	N/A	N/A	Soft
Sposobnost čvrstog materijala - promjer jaksimuma		mm	N/A	N/A	N/A	25,4
Promjer usisne priključka		inch	1,5	2	2	3
Promjer ispušne priključka		inch	1,5	2	2	3
Usisno podizanje glave (maksimalno)		m	7	8	8	7
Ukupno podizanje glave (maksimalno)		m	16	28	28	28
Kapacitet pražnjenja (maksimalno)		m ³ /hr	14	36	36	60
Vrsta motora		4 moždani udar, OHV	4 moždani udar, OHV	4 moždani udar, OHV	4 moždani udar, OHV	4 moždani udar, OHV
Model motora		R80-V	R210-S	R210	R210	R210
Pomak motora		cc	78,5	209	212	212
Kapacitet motornog ulja		L	0,35	0,55	0,55	0,55
Jaz u svjeđici		mm	0,7 - 0,8	0,7 - 0,8	0,7 - 0,8	0,7 - 0,8
Razmak ventila (unos)		mm	0,10 - 0,15	0,10 - 0,15	0,10 - 0,15	0,10 - 0,15
Razmak ventila (ispušni plin)		mm	0,15 - 0,20	0,15 - 0,20	0,15 - 0,20	0,15 - 0,20
Početna vrsta		Žacnuti	Žacnuti	Žacnuti	Žacnuti	Žacnuti
Vrsta goriva		Benzin	Benzin	Benzin	Benzin	Benzin
Kapacitet spremnika goriva		L	1,8	3,6	3,6	3,6
Potrošnja goriva		g/kWh	≤ 400	≤ 395	≤ 395	≤ 395
Dimenzije (L x W x H)		mm	355×285×385	477×395×410	477×395×410	500×395×445
Neto težina		kg	14,0	21,0	23,5	25,5
						36,0

46 637	46 638	46 639	46 640	46 641	46 642
GWP 80/301 FT PRO	GWP 50/212 H PRO	GWP 50/212 H2 PRO	GWP 50/389 H PRO	GWP 50/212 CH PRO	GWP 80/212 CH PRO
Smeće	Visoko dizalo	Visoko dizalo	Visoko dizalo	Kemijske	Kemijske
Aluminija	Aluminija	Aluminija	Lijevano željezo	Polimer	Polimer
Lijevano željezo	Aluminija	Aluminija	Aluminija	Polimer	Polimer
Hard	N/A	N/A	N/A	N/A	N/A
25,4	N/A	N/A	N/A	N/A	N/A
3	2	2	2	2	3
3	2	2,0+1,5+1,5	2	2	3
7	7	7	7	7	7
26	50	80	90	35	26
66	30	16	30	32	60
4 moždani udar, OHV	4 moždani udar, OHV	4 moždani udar, OHV	4 moždani udar, OHV	4 moždani udar, OHV	4 moždani udar, OHV
R300	R210	R210	R390	R210	R210
301	212	212	389	212	212
1,1	0,55	0,55	1,1	0,55	0,55
0,7 - 0,8	0,7 - 0,8	0,7 - 0,8	0,7 - 0,8	0,7 - 0,8	0,7 - 0,8
0,10 - 0,15	0,10 - 0,15	0,10 - 0,15	0,10 - 0,15	0,10 - 0,15	0,10 - 0,15
0,15 - 0,20	0,15 - 0,20	0,15 - 0,20	0,15 - 0,20	0,15 - 0,20	0,15 - 0,20
Žacnuti	Žacnuti	Žacnuti	Žacnuti	Žacnuti	Žacnuti
Benzin	Benzin	Benzin	Benzin	Benzin	Benzin
5,4	3,6	3,6	6,5	3,6	3,6
≤ 374	≤ 395	≤ 395	≤ 374	≤ 395	≤ 395
688×528×582	500×395×446	500×395×446	610×480×537	500×395×446	610×425×462
61,0	26,0	26,0	60,0	23,0	25,0

DATE TEHNICE						
Numarul articolului		46 632	46 633	46 634	46 635	46 636
Model		GWP 40/79 PLUS	GWP 50/209 PLUS	GWP 50/212 PRO	GWP 80/212 PRO	GWP 80/212 ST PRO
Tip		Apă curată	Apă curată	Apă curată	Apă curată	Semi-gunoi
Materialul corpului pompei		Aluminiu	Aluminiu	Aluminiu	Aluminiu	Aluminiu
Material rotor		Aluminiu	Fontă	Fontă	Fontă	Fontă
Capacitate material solid - tip		N/A	N/A	N/A	N/A	Soft
Capacitate material solid - diametru diametru maxim	mm	N/A	N/A	N/A	N/A	25,4
Diametrul orificiului de aspirație	inch	1,5	2	2	3	3
Diametrul orificiului de descărcare	inch	1,5	2	2	3	3
Ridicarea capului de aspirație (maxim)	m	7	8	8	8	7
Ridicarea totală a capului (maxim)	m	16	28	28	28	26
Capacitate de descărcare (maximă)	m ³ /hr	14	36	36	60	60
Tipul motorului		4 timpi, OHV	4 timpi, OHV	4 timpi, OHV	4 timpi, OHV	4 timpi, OHV
Model de motor		R80-V	R210-S	R210	R210	R210
Cilindrul motorului	cc	78,5	209	212	212	212
Capacitate ulei motor	L	0,35	0,55	0,55	0,55	0,55
Decalaj bujie	mm	0,7 - 0,8	0,7 - 0,8	0,7 - 0,8	0,7 - 0,8	0,7 - 0,8
Jocul supapei (admisie)	mm	0,10 - 0,15	0,10 - 0,15	0,10 - 0,15	0,10 - 0,15	0,10 - 0,15
Jocul supapei (evacuare)	mm	0,15 - 0,20	0,15 - 0,20	0,15 - 0,20	0,15 - 0,20	0,15 - 0,20
Tipul de pornire		Recul	Recul	Recul	Recul	Recul
Tipul combustibilului		Benzină	Benzină	Benzină	Benzină	Benzină
Capacitatea rezervorului de combustibil	L	1,8	3,6	3,6	3,6	3,6
Consum de combustibil	g/kWh	≤ 400	≤ 395	≤ 395	≤ 395	≤ 395
Dimensiuni (L x L x İ)	mm	355×285×385	477×395×410	477×395×410	500×395×445	552×432×450
Greutate netă	kg	14,0	21,0	23,5	25,5	36,0



46 637	46 638	46 639	46 640	46 641	46 642
GWP 80/301 FT PRO	GWP 50/212 H PRO	GWP 50/212 H2 PRO	GWP 50/389 H PRO	GWP 50/212 CH PRO	GWP 80/212 CH PRO
Gunoii	Ridicare ridicată	Ridicare ridicată	Ridicare ridicată	Chimic	Chimic
Aluminiu	Aluminiu	Aluminiu	Fontă	Polimer	Polimer
Fontă	Aluminiu	Aluminiu	Aluminiu	Polimer	Polimer
Hard	N/A	N/A	N/A	N/A	N/A
25,4	N/A	N/A	N/A	N/A	N/A
3	2	2	2	2	3
3	2	2,0+1,5+1,5	2	2	3
7	7	7	7	7	7
26	50	80	90	35	26
66	30	16	30	32	60
4 timpi, OHV	4 timpi, OHV	4 timpi, OHV	4 timpi, OHV	4 timpi, OHV	4 timpi, OHV
R300	R210	R210	R390	R210	R210
301	212	212	389	212	212
1,1	0,55	0,55	1,1	0,55	0,55
0,7 - 0,8	0,7 - 0,8	0,7 - 0,8	0,7 - 0,8	0,7 - 0,8	0,7 - 0,8
0,10 - 0,15	0,10 - 0,15	0,10 - 0,15	0,10 - 0,15	0,10 - 0,15	0,10 - 0,15
0,15 - 0,20	0,15 - 0,20	0,15 - 0,20	0,15 - 0,20	0,15 - 0,20	0,15 - 0,20
Recul	Recul	Recul	Recul	Recul	Recul
Benzină	Benzină	Benzină	Benzină	Benzină	Benzină
5,4	3,6	3,6	6,5	3,6	3,6
≤ 374	≤ 395	≤ 395	≤ 374	≤ 395	≤ 395
688×528×582	500×395×446	500×395×446	610×480×537	500×395×446	610×425×462
61,0	26,0	26,0	60,0	23,0	25,0

MŰSZAKI ADATOK						
Cikkszám		46 632	46 633	46 634	46 635	46 636
Modell		GWP 40/79 PLUS	GWP 50/209 PLUS	GWP 50/212 PRO	GWP 80/212 PRO	GWP 80/212 ST PRO
típus		Tiszta víz	Tiszta víz	Tiszta víz	Tiszta víz	Semi - Trash
Szivattyútest anyaga		Alumínium	Alumínium	Alumínium	Alumínium	Aluminum
Járókerék anyaga		Alumínium	Öntöttvas	Öntöttvas	Öntöttvas	Cast iron
Szilárd anyag képesség - Type		N/A	N/A	N/A	N/A	Soft
Szilárd anyag képesség - Mmaximális átmérő	mm	N/A	N/A	N/A	N/A	25,4
Szívónyílás átmérője	inch	1,5	2	2	3	3
Nyomónyílás átmérője	inch	1,5	2	2	3	3
Szívófej emelés (maximális)	m	7	8	8	8	7
Teljes fejemelés (maximum)	m	16	28	28	28	26
Kisütési kapacitás (maximum)	m ³ /hr	14	36	36	60	60
Motor típus		4 ütem, OHV	4 ütem, OHV	4 ütem, OHV	4 ütem, OHV	4 ütem, OHV
Motor modell		R80-V	R210-S	R210	R210	R210
Motor lökettérfogat	cc	78,5	209	212	212	212
Motorolaj kapacitás	L	0,35	0,55	0,55	0,55	0,55
Gyújtógyertya hézag	mm	0,7 - 0,8	0,7 - 0,8	0,7 - 0,8	0,7 - 0,8	0,7 - 0,8
Szelephézag (szívás)	mm	0,10 - 0,15	0,10 - 0,15	0,10 - 0,15	0,10 - 0,15	0,10 - 0,15
Szelephézag (kipufogó)	mm	0,15 - 0,20	0,15 - 0,20	0,15 - 0,20	0,15 - 0,20	0,15 - 0,20
Kezdő típus		Visszarúg	Visszarúg	Visszarúg	Visszarúg	Visszarúg
Üzemanyagtípus		Benzin	Benzin	Benzin	Benzin	Benzin
Üzemanyagtartály kapacitás	L	1,8	3,6	3,6	3,6	3,6
Üzemanyag fogyasztás	g/kWh	≤ 400	≤ 395	≤ 395	≤ 395	≤ 395
Méretek (H x Sz x Ma)	mm	355×285×385	477×395×410	477×395×410	500×395×445	552×432×450
Nettó tömeg	kg	14,0	21,0	23,5	25,5	36,0

46 637	46 638	46 639	46 640	46 641	46 642
GWP 80/301 FT PRO	GWP 50/212 H PRO	GWP 50/212 H2 PRO	GWP 50/389 H PRO	GWP 50/212 CH PRO	GWP 80/212 CH PRO
Szemét	Magas emelés	Magas emelés	Magas emelés	Kémiai	Kémiai
Alumínium	Alumínium	Alumínium	Öntöttvas	Polimer	Polimer
Öntöttvas	Alumínium	Alumínium	Alumínium	Polimer	Polimer
Hard	N/A	N/A	N/A	N/A	N/A
25,4	N/A	N/A	N/A	N/A	N/A
3	2	2	2	2	3
3	2	2,0+1,5+1,5	2	2	3
7	7	7	7	7	7
26	50	80	90	35	26
66	30	16	30	32	60
4 ütem, OHV	4 ütem, OHV	4 ütem, OHV	4 ütem, OHV	4 ütem, OHV	4 ütem, OHV
R300	R210	R210	R390	R210	R210
301	212	212	389	212	212
1,1	0,55	0,55	1,1	0,55	0,55
0,7 - 0,8	0,7 - 0,8	0,7 - 0,8	0,7 - 0,8	0,7 - 0,8	0,7 - 0,8
0,10 - 0,15	0,10 - 0,15	0,10 - 0,15	0,10 - 0,15	0,10 - 0,15	0,10 - 0,15
0,15 - 0,20	0,15 - 0,20	0,15 - 0,20	0,15 - 0,20	0,15 - 0,20	0,15 - 0,20
Visszarúg	Visszarúg	Visszarúg	Visszarúg	Visszarúg	Visszarúg
Benzin	Benzin	Benzin	Benzin	Benzin	Benzin
5,4	3,6	3,6	6,5	3,6	3,6
≤ 374	≤ 395	≤ 395	≤ 374	≤ 395	≤ 395
688×528×582	500×395×446	500×395×446	610×480×537	500×395×446	610×425×462
61,0	26,0	26,0	60,0	23,0	25,0

TECHNICAL DATA						
Article Number		46 632	46 633	46 634	46 635	46 636
Modelis		GWP 40/79 PLUS	GWP 50/209 PLUS	GWP 50/212 PRO	GWP 80/212 PRO	GWP 80/212 ST PRO
Tipas		Svarus vanduo	Svarus vanduo	Svarus vanduo	Svarus vanduo	Pusiau - Šiukšliadėžė
Siurblio korpuso medžiaga		Aliuminis	Aliuminis	Aliuminis	Aliuminis	Aliuminis
Darbaracio medžiaga		Aliuminis	Ketaus	Ketaus	Ketaus	Ketaus
Kietosios medžiagos pajėgumas – Type		N/A	N/A	N/A	N/A	Minkštas
Kietos medžiagos talpa – Maksimalus skersmuo	mm	N/A	N/A	N/A	N/A	25,4
Siurbimo angos skersmuo	inch	1,5	2	2	3	3
Išleidimo angos skersmuo	inch	1,5	2	2	3	3
Siurbimo galvutės pakėlimas (maksimalus)	m	7	8	8	8	7
Visas galvos pakėlimas (maksimalus)	m	16	28	28	28	26
Iškrovimo talpa (maksimali)	m ³ /hr	14	36	36	60	60
Variklio tipas		4 takty, OHV	4 takty, OHV	4 takty, OHV	4 takty, OHV	4 takty, OHV
Variklio modelis		R80-V	R210-S	R210	R210	R210
Variklio darbinis tūris	cc	78,5	209	212	212	212
Variklio alyvos talpa	L	0,35	0,55	0,55	0,55	0,55
Uždegimo žvakės tarpas	mm	0,7 - 0,8	0,7 - 0,8	0,7 - 0,8	0,7 - 0,8	0,7 - 0,8
Vožtuvo tarpas (jsiurbimas)	mm	0,10 - 0,15	0,10 - 0,15	0,10 - 0,15	0,10 - 0,15	0,10 - 0,15
Vožtuvo tarpas (išmetimas)	mm	0,15 - 0,20	0,15 - 0,20	0,15 - 0,20	0,15 - 0,20	0,15 - 0,20
Pradinis tipas		Atsitraukimas	Atsitraukimas	Atsitraukimas	Atsitraukimas	Atsitraukimas
Kuro tipas		Benzino	Benzino	Benzino	Benzino	Benzino
Kuro bako talpa	L	1,8	3,6	3,6	3,6	3,6
Degalų sąnaudos	g/kWh	≤ 400	≤ 395	≤ 395	≤ 395	≤ 395
Matmenys (l x P x A)	mm	355×285×385	477×395×410	477×395×410	500×395×445	552×432×450
Grynas svoris	kg	14,0	21,0	23,5	25,5	36,0

46 637	46 638	46 639	46 640	46 641	46 642
GWP 80/301 FT PRO	GWP 50/212 H PRO	GWP 50/212 H2 PRO	GWP 50/389 H PRO	GWP 50/212 CH PRO	GWP 80/212 CH PRO
Šiukšliadėžė	Aukštas pakėlimas	Aukštas pakėlimas	Aukštas pakėlimas	Cheminis	Cheminis
Aliuminis	Aliuminis	Aliuminis	Ketaus	Polimeras	Polimeras
Ketaus	Aliuminis	Aliuminis	Aliuminis	Polimeras	Polimeras
Sunku	N/A	N/A	N/A	N/A	N/A
25,4	N/A	N/A	N/A	N/A	N/A
3	2	2	2	2	3
3	2	2,0+1,5+1,5	2	2	3
7	7	7	7	7	7
26	50	80	90	35	26
66	30	16	30	32	60
4 takty, OHV	4 takty, OHV	4 takty, OHV	4 takty, OHV	4 takty, OHV	4 takty, OHV
R300	R210	R210	R390	R210	R210
301	212	212	389	212	212
1,1	0,55	0,55	1,1	0,55	0,55
0,7 - 0,8	0,7 - 0,8	0,7 - 0,8	0,7 - 0,8	0,7 - 0,8	0,7 - 0,8
0,10 - 0,15	0,10 - 0,15	0,10 - 0,15	0,10 - 0,15	0,10 - 0,15	0,10 - 0,15
0,15 - 0,20	0,15 - 0,20	0,15 - 0,20	0,15 - 0,20	0,15 - 0,20	0,15 - 0,20
Atsitraukimas	Atsitraukimas	Atsitraukimas	Atsitraukimas	Atsitraukimas	Atsitraukimas
Benzino	Benzino	Benzino	Benzino	Benzino	Benzino
5,4	3,6	3,6	6,5	3,6	3,6
≤ 374	≤ 395	≤ 395	≤ 374	≤ 395	≤ 395
688×528×582	500×395×446	500×395×446	610×480×537	500×395×446	610×425×462
61,0	26,0	26,0	60,0	23,0	25,0

EN	EU DECLARATION OF CONFORMITY		We declare under our sole responsibility that the listed products comply with all applicable provisions of the below directives and are also in conformity with the following standards. Production year and serial number are on the product. The relative technical file is at the below address.	
	PETROL WATER PUMP			
	MODEL	Article number		
FR	DÉCLARATION CE DE CONFORMITÉ		Nous déclarons sous notre propre responsabilité que les produits décrits sont conformes à toutes les dispositions applicables des directives ci-dessous et sont également conformes aux normes suivantes. L'année de production et le numéro de série figurent sur le produit. Le dossier technique correspondant est à l'adresse ci-dessous.	
	POMPE À EAU MOTEUR ESSENCE			
	MODÈLE	Numéro de l'article		
IT	DICHIARAZIONE CE DI CONFORMITÀ		Dichiaro sotto la nostra piena responsabilità che i prodotti indicati sono conformi a tutte le disposizioni applicabili delle seguenti direttive e sono inoltre conformi alle seguenti norme. Anno di produzione e numero di serie sono sul prodotto. La relativa scheda tecnica è al seguente indirizzo.	
	POMPA AD ACQUA MOTORE A BENZINA			
	MODELLO	Codice prodotto		
EL	ΔΗΛΩΣΗ ΣΥΜΜΟΡΦΩΣΗΣ ΕΚ		Δηλώνουμε με αποκλειστική μας ευθύνη, ότι τα αναφερόμενα προϊόντα συμμορφώνονται με όλες τις σχετικές διατάξεις των κάτωθι οδηγιών και είναι επίσης σύμφωνα με τα ακόλουθα πρότυπα. Το έτος παραγωγής και ο σειριακός αριθμός αναγράφονται στο προϊόν. Ο τεχνικός φάκελος είναι στην παρακάτω διεύθυνση.	
	ΑΝΤΛΙΑ ΝΕΡΟΥ ΒΕΝΖΙΝΟΚΙΝΗΤΗ			
	ΜΟΝΤΕΛΟ	Κωδικός προϊόντος		
SR	CE IZJAVA O USAGLAŠENOSTI		Na osnovu odgovornosti izjavljujemo, da navedeni proizvodi poštiju sve važeće odredbe dole navedenih direktiva i da su takođe u skladu sa sledećim standardima. Proizvodna godina i serijski broj su na proizvodu. Relativna tehnološka datoteka je na donje adrese.	
	BENZINSKA PUMPA ZA VODU			
	MODEL	Broj predmeta		
HR	EU IZJAVA O SUKLADNOSTI		Pod punom odgovornošću izjavljujemo da navedeni proizvodi u skladu sa svim primjenjivim odredbama dolje navedenih direktiva, a također su u skladu sa sledećim standardima. Godina proizvodnje i serijski broj su na proizvodu. Relativna tehnička datoteka nalazi se na donjoj adresi.	
	PRETOČNA MOTORNA PUMPA ZA VODU			
	MODEL	Broj artikla		
RO	DECLARAȚIE DE CONFORMITATE UE		Declarăm pe proprie răspundere că produsele menționate respectă toate prevederile aplicabile din directivele de mai jos și sunt, de asemenea, conforme cu următoarele standarde. Anul de producție și numărul de serie sunt pe produs. Fișierul tehnic relativ se află la adresa de mai jos.	
	POMPA DE APA PE BENZINA			
	MODEL	Număr articol		
HU	EU MEGFELELŐSÉGI NYILATKOZAT		Kijelentjük kizárólagos felelősségünkre, hogy a felsorolt termékek megfelelnek az alábbi irányelvek összes vonatkozó rendelkezésének, és megfelelnek a következő szabványoknak is. A gyártási év és a sorozatszám a termékben található. A relatív műszaki fájlt az alábbi címen található.	
	BENZIN SZIVATTYÚ			
	MODELL	Cikk szám		
LT	ES ATITIKTIES DEKLARACIJA		Mes, prisiišdami visą atsakomybę, pareiškiame, kad išvardyti produktai atitinka visas taikomas toliau nurodytų direktyvų nuostatas ir taip pat atitinka šiuos standartus. Gamybės metai ir serijos numeris yra ant gaminio. Santykinis technologinis failas yra žemiau nurodytu adresu.	
	BENZININIS VANDENS SIURBLYS			
	MODELIS	Straipsnis Numeris		
GWP 40/79 PLUS		46 632	2006/42/EC	EN 809:1998+A1:2009/AC:2010
GWP 50/209 PLUS		46 633	2014/30/EU	EN ISO 14982:2009
GWP 50/212 PRO		46 634		
GWP 80/212 PRO		46 635	2016/1628/EU 2018/989/EU	
GWP 80/301 FT PRO		46 637		
GWP 80/212 CH PRO		46 642		
GWP 80/212 ST PRO		46 636	2006/42/EC	EN 809:1998+A1:2009
GWP 50/212 H PRO		46 638		
GWP 50/212 H2 PRO		46 639	2016/1628/EU 2018/989/EU	
GWP 50/389 H PRO		46 640		
GWP 50/212 CH PRO		46 641		
Aimilios G. Theodorou Electrical Engineer, Safety Officer		FF GROUP TOOL INDUSTRIES S.A. 9.5 km Attiki Odos, 193 00 Aspropyrgos, Greece, Tel: +30 211 850 9500		
				
5/8/2024 FF GROUP TOOL INDUSTRIES S.A. 193 00 Aspropyrgos, Greece.				



FF GROUP TOOL INDUSTRIES S.A.



9,5 Km Attiki Odos



193 00 Aspropyrgos, Greece



+30 211 85 09 500



info@ffgroup-toolindustries.com



www.ffgroup-tools.com