

Receiver

From

Company
Reference
Address
Phone
Fax
E-mail

Item n° :

60143302

Model :

EVOTRON 40/130

Pump data

Pressure rating : 1 MPa
Min. fluid temperature : -10 °C
Max. fluid temperature : 110 °C
EEI : ≤ 0,19

Minimum suction head :

Temperature °C 90
Minimum suction head : m 10

Requested data

Flow :
Head :
Fluid (%) :
Fluid Temperature : 20 °C
Density : 998,3 kg/m³
Kinematic viscosity : 1,005 mm²/s
Vapor pressure : 2,34 kPa

Hydraulic data (duty point)

Flow :
Head :

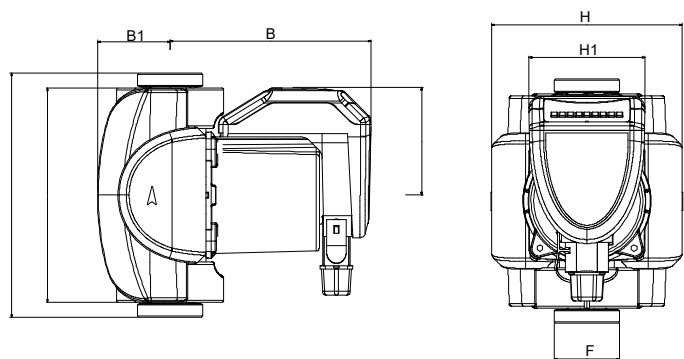
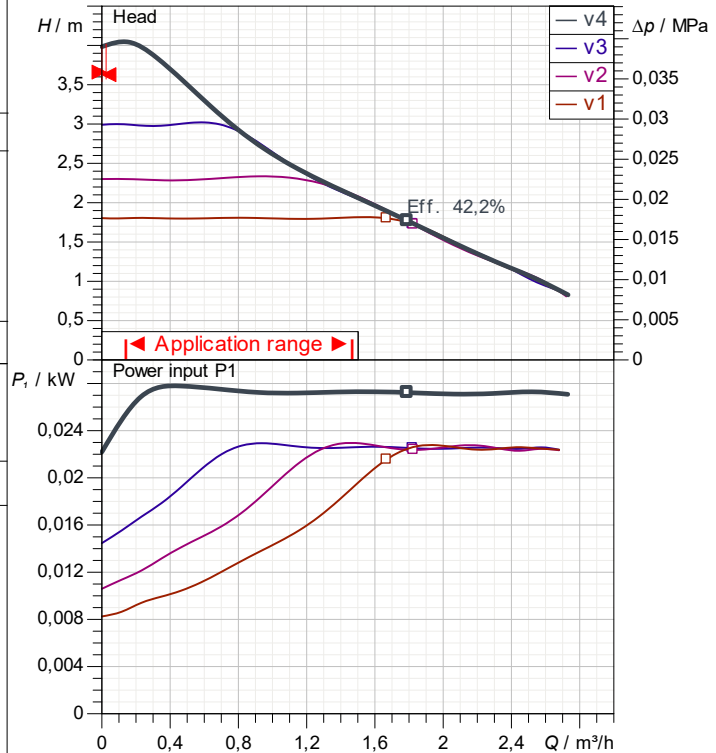
Materials

Pump body Cast iron
Impeller Ultrason
Motor shaft Ceramic
Closing flange Stainless steel
Seal ring EPDM
Stator jacket Stainless steel
Terminal box Polycarbonate

Motor data

Motor brand : DAB
Power input P1 : 0,004 kW - 0,023 kW
Rated voltage : 1~ 230 V 50 Hz
Nominal current : 0,05 A - 0,19 A
Degree of protection : IP X4

Curve tolerance according to ISO 9906



Dimensions in mm

B	147,5	L1	158				
B1	53	L2	79,5				
F	1"1/2						
H	140						
H1	85						
L	130						

Weight : 2,7 kg

Pump connection

Suction side : 1" 1/2 G
Discharge side : 1" 1/2 G



PERFORMANCE CURVES

2024-11-29

Page 2 / 3

DAB PUMPS S.p.A.
Via Marco Polo, 14 - 35035 Mestrino (PD), Italy
Tel. +39 049 5125000 - Fax +39 049 5125950
www.dabpumps.com

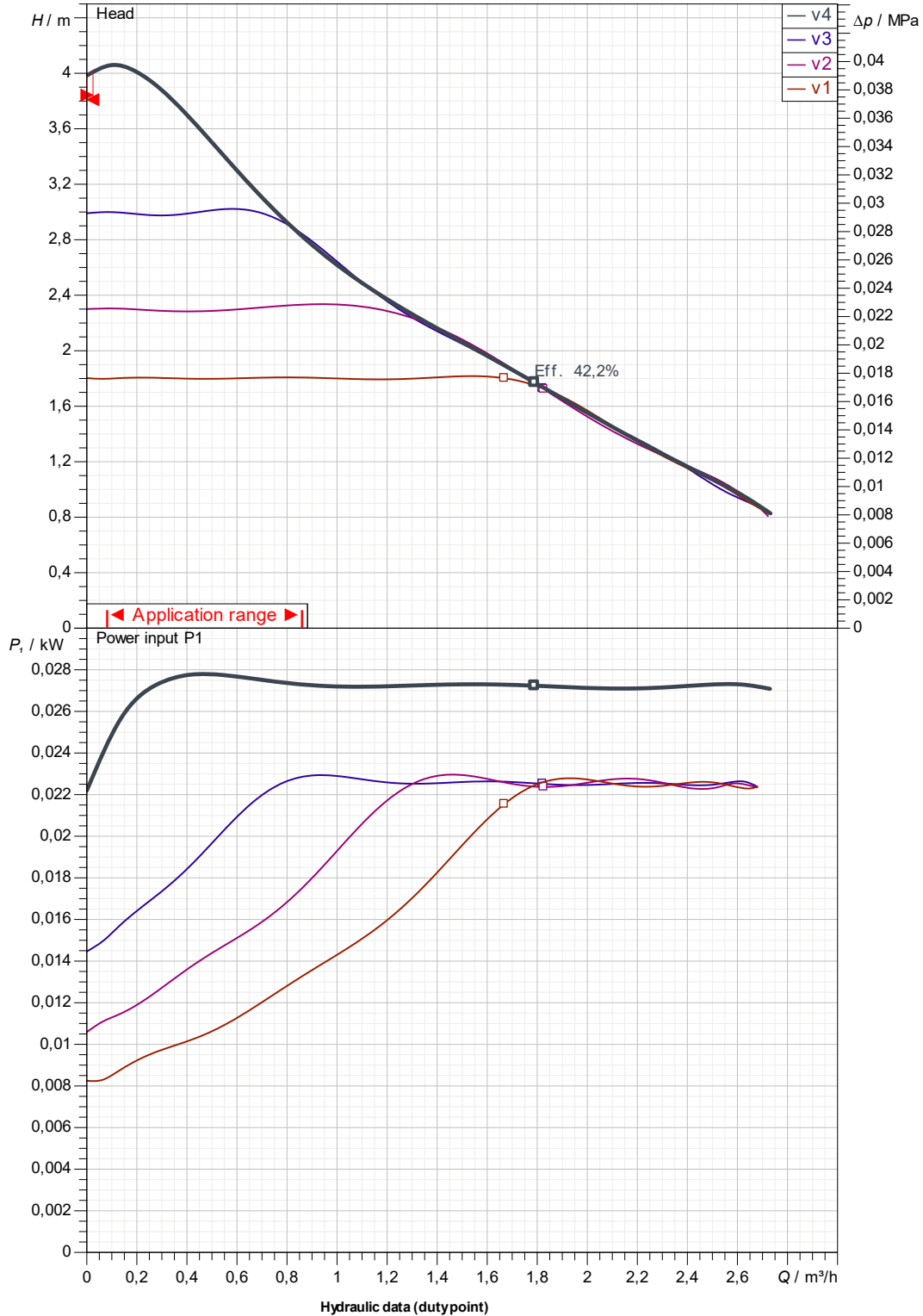
Receiver

From

Company
Reference
Address
Phone
Fax
E-mail

EVOTRON 40/130

Curve tolerance according to ISO 9906



Suction side :
1" 1/2 G
1 MPa

Discharge side :
1" 1/2 G
1 MPa

Flow :

Head :

Rated speed :
2.900 1/min

Project

Project ID

Created by

Created on

2024-11-29



DIMENSIONAL DRAWING

2024-11-29

Page 3 / 3

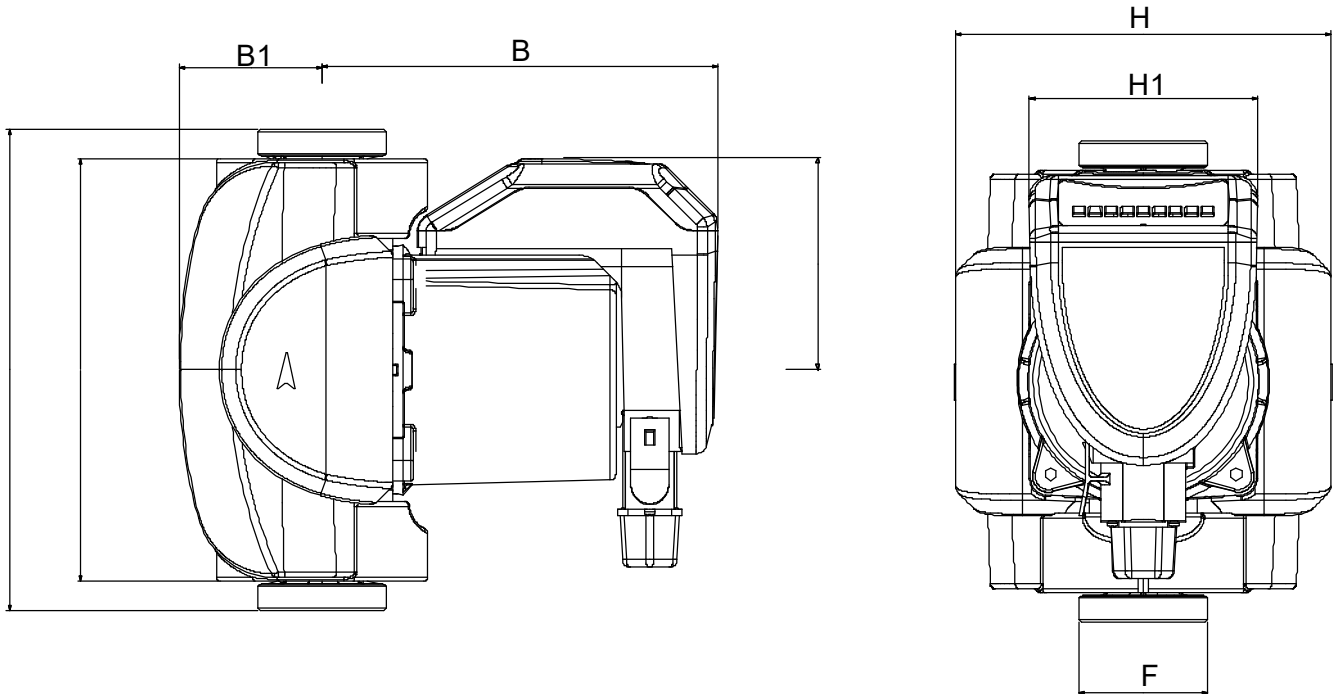
DAB PUMPS S.p.A.
Via Marco Polo, 14 - 35035 Mestrino (PD), Italy
Tel. +39 049 5125000 - Fax +39 049 5125950
www.dabpumps.com

Receiver

From

Company
Reference
Address
Phone
Fax
E-mail

EVOTRON 40/130



Dimensions in mm

Pump connection

1	B	147,5					
2	B1	53					
3	F	1"1/2					Suction
4	H	140					1" 1/2 G
5	H1	85					1 MPa
6	L	130					
7	L1	158					Discharge
8	L2	79,5					1" 1/2 G
9							1 MPa
10							
11							

Project

Project ID

Created by

Created on

2024-11-29