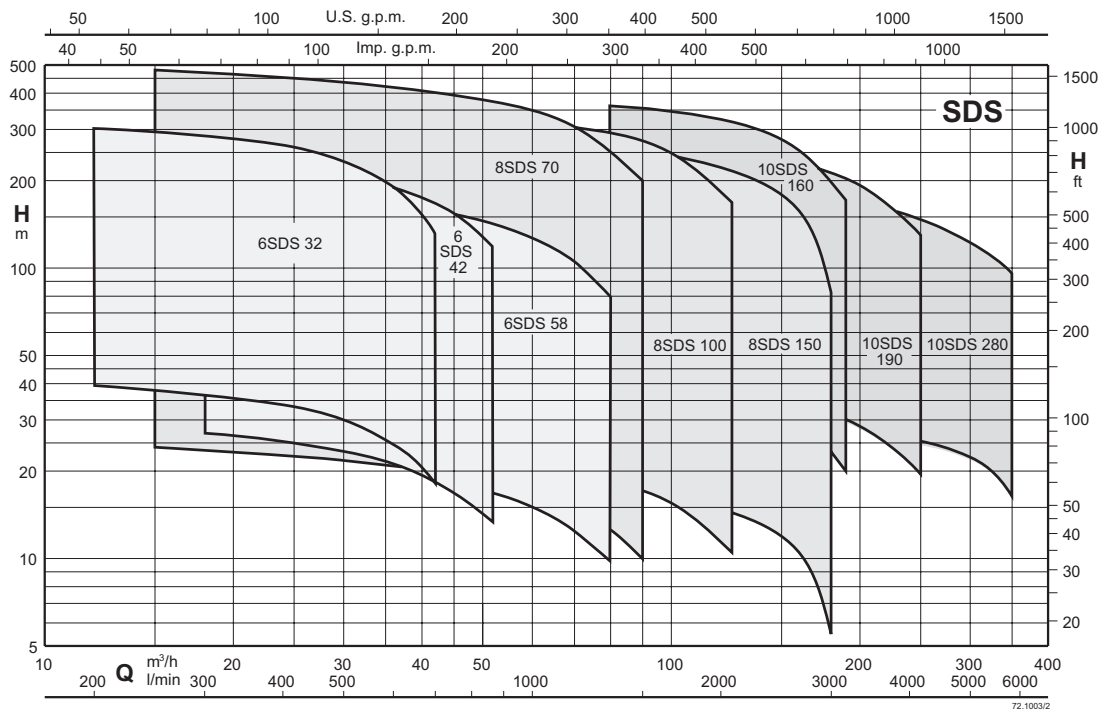




Coverage chart $n \approx 2900$ rpm



Submersible borehole pumps
for 6" and 8" wells

Construction

Submersible borehole pumps for 6" wells (DN 150 mm), 8" (DN 200 mm) and 10" (DN 250 mm), with stages in cast iron or in bronze, on request.

Impellers mixed flow impellers.

Connection: flanged for 8SDS, 10SDS with counter-flange to be welded overlapped.

Delivery casing with built-in non-return valve.

Applications

For water supply systems.

For civil and industrial applications.

For fire fighting applications.

For irrigation.

Operating conditions

Liquid temperature:

up to a 25 °C.

Maximum amount of sand in the water: 150 g/m³ (300 g/m³ for high sand content pumps).

Continuous duty.

Special features on request

Other voltages.

Frequency 60 Hz (as per 60 Hz data sheet).

Other temperatures.

Encapsulated motor FK series.

Designation

Example: B 10 SDS 190 / 6

B = Bronze construction (on request)

10 = Well diameter in inches

SDS = Series

190 = Stage identification

6 = Number of stages

Motor

2-pole induction motor, 50 Hz (n ≈ 2900 rpm).

Sized for connection to the pumps according to NEMA Standards (10" excluded).

Standard voltages:

single-phase 230 V - up to 2,2 kW for 4" motors.

Three-phase · · 230 V; 400 V for 4" motors.

· 400 V; 400/690 V for 6", 8", 10" motors.

Voltage tolerance : ± 10%

In order to limit both current and torque at each starting, for rated motor powers equal to or higher than 7.5 kW, one of the following types of starting is necessary: star/delta, soft starter, stator impedance or autotransformer.

Insulation class:

- class F for 4" motors,

- class E for 6" motors, PVC for I-6" (I-6" 45 kW PE2+PA).

- PVC for 8"

- PVC for 10" (10" 170kW and 190 kW PE2+PA)

Protection IP 68.

Installation below water level: 100 m for 4", 150 m for 6", 500 m for 8,10" 4" motor

Motor suitable operation with frequency converter (with suitable filter dv/dt).

Horizontal installation (6" 37-45kW, 8" 92kW, 10" 170-190 kW excluded)

Motor	Motor P2	Max. Liquid temperature	Cooling minimum flow velocity	Max n° of starting x hour
4CS-R	all	35 °C	0,1 m/s	30
6CS-R	4÷15 kW	40 °C	0,5 m/s	20
6CS-R	18,5÷30 kW	35 °C	0,5 m/s	20
6CS-R	37 kW	30 °C	0,5 m/s	20
8CS-R	30÷45 kW	30 °C	0,2 m/s	10
8CS-R	51 kW	30 °C	0,2 m/s	8
8CS-R	59÷75 kW	30 °C	0,5 m/s	8
8CS-R	92÷110 kW	30 °C	0,5 m/s	6
10CS-R	all	25 °C	0,15 m/s	6

Materials

Pumps

Components	Part No.	6, 8, 10 SDS	B-6, B-8, B-10 SDS
Stage casing	25.02	Cast iron GJL 200 EN 1561	Bronze CC480K EN 1982
Diffuser	26.00	Cast iron GJL 200 EN 1561	Bronze CC480K EN 1982
Impeller	28.00	Cast iron GJL 200 EN 1561	Bronze CC480K EN 1982
Wear ring		Rubber (Bronze for 10SDS 190-280)	Rubber (Bronze for 10SDS 190-280)
Shaft	64.00	Steel AISI F51duplex	Steel AISI F51duplex
Shaft sleeve	64.08	Brass with chrome-plated surface (for 10 SDS only)	Brass with chrome-plated surface (for 10 SDS only)
delivery casing	12.01	Cast iron GJL 200 EN 1561	Bronze CC480K EN 1982
Suction lantern	32.02	Cast iron GJL 200 EN 1561	Bronze CC480K EN 1982
Bearing bush	12.30	Rubber	Rubber
Filter	15.50	Chrome-nickel steel 1.4301 EN 10088 (AISI 304)	Chrome-nickel steel 1.4301 EN 10088 (AISI 304)
Screws		Chrome-nickel steel 1.4301 EN 10088 (AISI 304)	Chrome-nickel steel 1.4301 EN 10088 (AISI 304)

Coverage chart n ≈ 2900 rpm

Model				Q = Flow											
				m³/h	0	12	18	21	24	27	30	33	36	39	42
				l/min		200	300	350	400	450	500	550	600	650	700
P2		kW	HP	H (m) = Total head											
B6SDS	6SDS 32/3			4	5,5	38,8	39	37	35,5	33,5	31,5	30	26,5	24	21
B6SDS	6SDS 32/4	5,5	7,5	52,9	52	49	47	45	42	39,5	35,5	32	28	24	
B6SDS	6SDS 32/5	7,5	10	65,5	65	61,5	59	56	52,5	49,5	44,5	40	35	30	
B6SDS	6SDS 32/6	7,5	10	78,1	78	74	71	67	63	59,5	53,5	48	42	36	
B6SDS	6SDS 32/7	9,2	12,5	96,7	92	86	82,5	78,5	73,5	69	62	56	49	42	
B6SDS	6SDS 32/8	11	15	109,3	105	98,5	94,5	89,5	84	79	71	64	56	48	
B6SDS	6SDS 32/9	13	17,5	109,3	105	98,5	94,5	89,5	84	79	71	64	56	48	
B6SDS	6SDS 32/10	13	17,5	136,4	131	123	118	112	105	99	89	80	70	60	
B6SDS	6SDS 32/11	15	20	150,7	144	135	130	123	115	109	98	88	77	66	
B6SDS	6SDS 32/12	15	20	167,2	157	147	141	134	126	119	107	96	84	72	
B6SDS	6SDS 32/13	18,5	25	178,5	170	160	153	145	136	129	116	104	91	78	
B6SDS	6SDS 32/14	18,5	25	188	183	172	165	157	147	138	124	112	98	84	
B6SDS	6SDS 32/15	22	30	202,2	196	184	177	168	157	148	133	120	105	90	
B6SDS	6SDS 32/16	22	30	213,2	209	197	189	179	168	158	142	128	112	96	
B6SDS	6SDS 32/17	22	30	235,5	223	209	200	190	178	168	151	136	119	102	
B6SDS	6SDS 32/18	26	35	249,4	236	221	212	201	189	178	160	144	126	108	
B6SDS	6SDS 32/19	26	35	242,7	246	234	224	213	199	188	169	152	133	114	
B6SDS	6SDS 32/20	26	35	272,9	262	246	236	224	210	198	178	160	140	120	
B6SDS	6SDS 32/21	26	35	287,1	275	258	248	235	220	208	187	168	147	126	
B6SDS	6SDS 32/22	30	40	303,6	288	270	259	246	231	218	196	176	154	132	
B6SDS	6SDS 32/23	30	40	315	301	283	271	257	241	228	205	184	161	138	

Model				Q = Flow											
				m³/h	0	18	24	30	33	36	39	42	45	48	51
				l/min		300	400	500	550	600	650	700	750	800	850
P2		kW	HP	H (m) = Total head											
B6SDS	6SDS 42/2			4	5,5	28,1	27	25,5	23,5	22,5	21,5	20	18,5	17	15,5
B6SDS	6SDS 42/3	5,5	7,5	38,2	40	38	35,5	34	32	30	28	25,5	23	21	
B6SDS	6SDS 42/4	7,5	10	54	53,5	51	47	45	43	40	37	34	31	27,5	
B6SDS	6SDS 42/5	9,2	12,5	68,4	67	63,5	59	56,5	53,5	50	46,5	42,5	38,5	34,5	
B6SDS	6SDS 42/6	11	15	68,4	67	63,5	59	56,5	53,5	50	46,5	42,5	38,5	34,5	
B6SDS	6SDS 42/7	13	17,5	98,5	94	89	82,5	79	75	70	65	59,5	54	48	
B6SDS	6SDS 42/8	15	20	111,7	107	101	94,5	90,5	85,5	80	74,5	68	61,5	55	
B6SDS	6SDS 42/9	15	20	121,2	120	114	106	102	96	90	84	76,5	69	62	
B6SDS	6SDS 42/10	18,5	25	136,7	134	127	118	113	107	100	93	85	77	69	
B6SDS	6SDS 42/11	18,5	25	143,8	147	140	130	124	118	110	102	93,5	85	76	
B6SDS	6SDS 42/12	22	30	169,7	161	152	141	135	128	120	111	102	92,5	83	
B6SDS	6SDS 42/13	22	30	175,7	174	165	153	147	139	130	121	110	100	90	
B6SDS	6SDS 42/14	26	35	186,5	187	178	165	158	150	140	130	119	108	96,5	
B6SDS	6SDS 42/15	26	35	207,5	201	190	177	169	160	150	139	127	115	103	
B6SDS	6SDS 42/16	30	40	217,3	214	203	189	181	171	160	149	136	123	110	
B6SDS	6SDS 42/17	30	40	235,9	228	216	200	192	182	170	158	144	131	117	
B6SDS	6SDS 42/18	30	40	249,8	241	228	212	203	192	180	167	153	138	124	

P2: Rated motor power output.
H: Total head in m

Coverage chart n ≈ 2900 rpm

				Q = Flow												
				m³/h	0	27	35	40	45	50	55	60	65	70	75	80
Model		P2		l/min	450	583	667	750	833	917	1000	1083	1167	1250	1333	
		kW	HP	H (m) = Total head												
B6SDS	6SDS 58/2	4	5,5	27,4	21	20	19	18	17	16,5	15,5	14	12,5	11	9	
B6SDS	6SDS 58/3	5,5	7,5	42,8	32	30	28,5	27	26	24,5	23	21	18,5	16	13,5	
B6SDS	6SDS 58/4	7,5	10	59,3	42,5	39,5	38	36	34,5	33	31	28	25	21,5	18	
B6SDS	6SDS 58/5	9,2	12,5	71,9	53	49,5	47,5	45	43	41	38,5	35	31	27	22,5	
B6SDS	6SDS 58/6	11	15	84,4	63,5	59,5	57	54	51,5	49	46	42	37	32,5	27	
B6SDS	6SDS 58/7	13	17,5	99,2	74	69,5	66,5	63	60	57,5	54	49	43,5	38	31,5	
B6SDS	6SDS 58/8	15	20	117,3	85	79	76	72	69	66	62	56	49,5	43	36	
B6SDS	6SDS 58/9	18,5	25	131,5	95,5	89	85,5	81	77,5	74	69,5	63	56	49	40,5	
B6SDS	6SDS 58/10	18,5	25	143,7	106	99	95	90	86	82	77	70	62	54	45	
B6SDS	6SDS 58/11	22	30	163,1	117	109	104	99	94,5	90	85	77	68	59,5	49,5	
B6SDS	6SDS 58/12	22	30	182,9	127	119	114	108	103	100	94,5	86,5	76,5	66,5	55,5	
B6SDS	6SDS 58/13	26	35	188,5	138	129	123	117	112	107	100	91	80,5	70	58,5	
B6SDS	6SDS 58/14	26	35	198,1	148	139	133	126	120	115	108	98	87	75,5	63	
B6SDS	6SDS 58/15	30	40	218,3	159	148	142	135	129	123	115	105	93	81	67,5	
B6SDS	6SDS 58/16	30	40	233,1	170	158	152	144	138	131	123	112	99	86,5	72	
B6SDS	6SDS 58/17	30	40	241,4	180	168	162	153	146	139	131	119	105	92	76,5	

P2: Rated motor power output.
H: Total head in m

Coverage chart n ≈ 2900 rpm

				Q = Flow												
				m³/h	0	60	70	80	90	100	110	125	140	150	160	180
Model		P2		l/min	1000	1167	1333	1500	1667	1833	2083	2333	2500	2667	3000	
		kW	HP	H (m) = Total head												
B8SDS	8SDS 150/1	7,5	10	26,7	18	17,5	17	16,5	16	15,5	14,5	13	11,5	10,5	5,5	
B8SDS	8SDS 150/2	15	20	53,4	36	35	34	33	32	31	29	26	23	21	11	
B8SDS	8SDS 150/3	22	30	80	54	52,5	51	49,5	48	46,5	43,5	39	34,5	31,5	16,5	
B8SDS	8SDS 150/4	30	40	106,7	72	70	68	66	64	62	58	52	46	42	22	
B8SDS	8SDS 150/5	37	50	133,4	90	87,5	85	82,5	80	77,5	72,5	65	57,5	52,5	27,5	
B8SDS	8SDS 150/6	45	60	160	108	105	102	99	96	93	87	78	69	63	33	
B8SDS	8SDS 150/7	51	70	189,6	126	122	119	115	112	108	101	91	80,5	73,5	38,5	
B8SDS	8SDS 150/8	59	80	213,4	144	140	136	132	128	124	116	104	92	84	44	
B8SDS	8SDS 150/9	66	90	241,8	162	157	153	148	144	139	130	117	103	94,5	49,5	
B8SDS	8SDS 150/10	75	100	266,8	180	175	170	165	160	155	145	130	115	105	55	
B8SDS	8SDS 150/11	92	125	294,1	198	192	187	181	176	170	159	143	126	115	60,5	
B8SDS	8SDS 150/12	92	125	320,1	216	210	204	198	192	186	174	156	138	126	66	
B8SDS	8SDS 150/13	110	150	347,5	234	227	221	214	208	201	188	169	149	136	71,5	
B8SDS	8SDS 150/14	110	150	373,5	252	245	238	231	224	217	203	182	161	147	77	
B8SDS	8SDS 150/15	110	150	400,8	270	262	255	247	240	232	217	195	172	157	82,5	

P2: Rated motor power output.

H: Total head in m

Coverage chart n ≈ 2900 rpm

Model				Q = Flow											
				m³/h	0	30	40	50	60	70	80	90	100	110	125
				l/min		500	667	833	1000	1167	1333	1500	1667	1833	2083
P2		kW	HP	H (m) = Total head											
B8SDS	8SDS 100/1			5,5	7,5	23,1	21,5	21	20,5	20	19	18	17	15,5	14
B8SDS	8SDS 100/2	11	15	46,2	43	42	41	40	38	36	34	31	28	21	
B8SDS	8SDS 100/3	18,5	25	69,3	64,5	63	61,5	60	57	54	51	46,5	42	31,5	
B8SDS	8SDS 100/4	22	30	92,4	86	84	82	80	76	72	68	62	56	42	
B8SDS	8SDS 100/5	30	40	114,1	107	105	102	100	95	90	85	77,5	70	52,5	
B8SDS	8SDS 100/6	37	50	136,9	129	126	123	120	114	108	102	93	84	63	
B8SDS	8SDS 100/7	45	60	159,7	150	147	143	140	133	126	119	108	98	73,5	
B8SDS	8SDS 100/8	45	60	182,6	172	168	164	160	152	144	136	124	112	84	
B8SDS	8SDS 100/9	51	70	205,8	193	189	184	180	171	162	153	139	126	94,5	
B8SDS	8SDS 100/10	55	75	231	215	210	205	200	190	180	170	155	140	105	
B8SDS	8SDS 100/11	66	90	252,6	236	231	225	220	209	198	187	170	154	115	
B8SDS	8SDS 100/12	66	90	277,2	258	252	246	240	228	216	204	186	168	126	
B8SDS	8SDS 100/13	75	100	298,8	279	273	266	260	247	234	221	201	182	136	
B8SDS	8SDS 100/14	92	125	323,4	301	294	287	280	266	252	238	217	196	147	
B8SDS	8SDS 100/15	92	125	345	322	315	307	300	285	270	255	232	210	157	
B8SDS	8SDS 100/16	92	125	369,6	344	336	328	320	304	288	272	248	224	168	

Model				Q = Flow												
				m³/h	0	60	70	80	90	100	110	125	140	150	160	180
				l/min		1000	1167	1333	1500	1667	1833	2083	2333	2500	2667	3000
P2		kW	HP	H (m) = Total head												
B8SDS	8SDS 150/1			7,5	10	26,7	18	17,5	17	16,5	16	15,5	14,5	13	11,5	10,5
B8SDS	8SDS 150/2	15	20	53,4	36	35	34	33	32	31	29	26	23	21	11	
B8SDS	8SDS 150/3	22	30	80	54	52,5	51	49,5	48	46,5	43,5	39	34,5	31,5	16,5	
B8SDS	8SDS 150/4	30	40	106,7	72	70	68	66	64	62	58	52	46	42	22	
B8SDS	8SDS 150/5	37	50	133,4	90	87,5	85	82,5	80	77,5	72,5	65	57,5	52,5	27,5	
B8SDS	8SDS 150/6	45	60	160	108	105	102	99	96	93	87	78	69	63	33	
B8SDS	8SDS 150/7	51	70	189,6	126	122	119	115	112	108	101	91	80,5	73,5	38,5	
B8SDS	8SDS 150/8	59	80	213,4	144	140	136	132	128	124	116	104	92	84	44	
B8SDS	8SDS 150/9	66	90	241,8	162	157	153	148	144	139	130	117	103	94,5	49,5	
B8SDS	8SDS 150/10	75	100	266,8	180	175	170	165	160	155	145	130	115	105	55	
B8SDS	8SDS 150/11	92	125	294,1	198	192	187	181	176	170	159	143	126	115	60,5	
B8SDS	8SDS 150/12	92	125	320,1	216	210	204	198	192	186	174	156	138	126	66	
B8SDS	8SDS 150/13	110	150	347,5	234	227	221	214	208	201	188	169	149	136	71,5	
B8SDS	8SDS 150/14	110	150	373,5	252	245	238	231	224	217	203	182	161	147	77	
B8SDS	8SDS 150/15	110	150	400,8	270	262	255	247	240	232	217	195	172	157	82,5	

P2: Rated motor power output.
H: Total head in m

Coverage chart n ≈ 2900 rpm

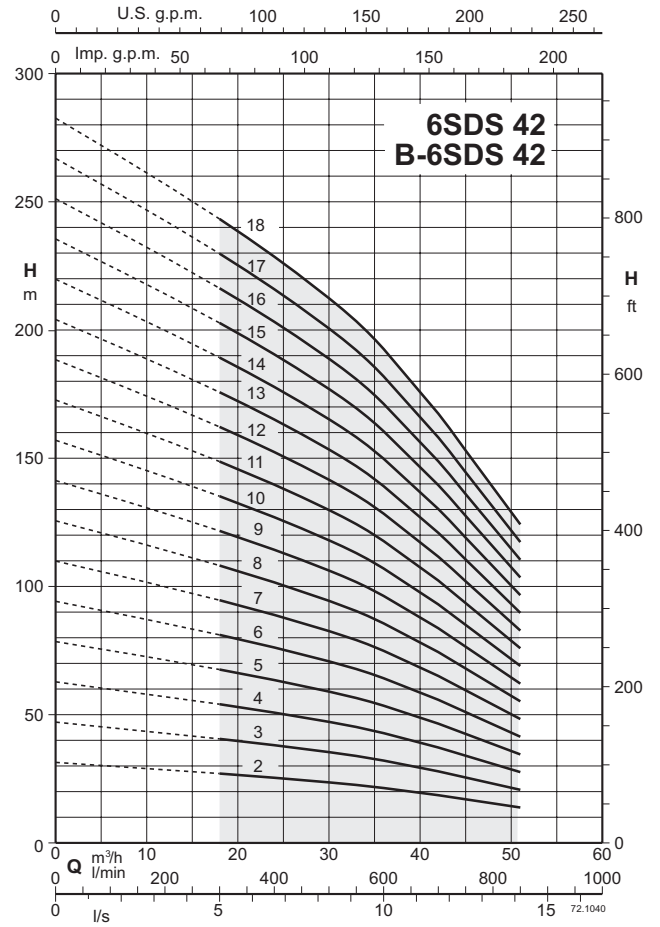
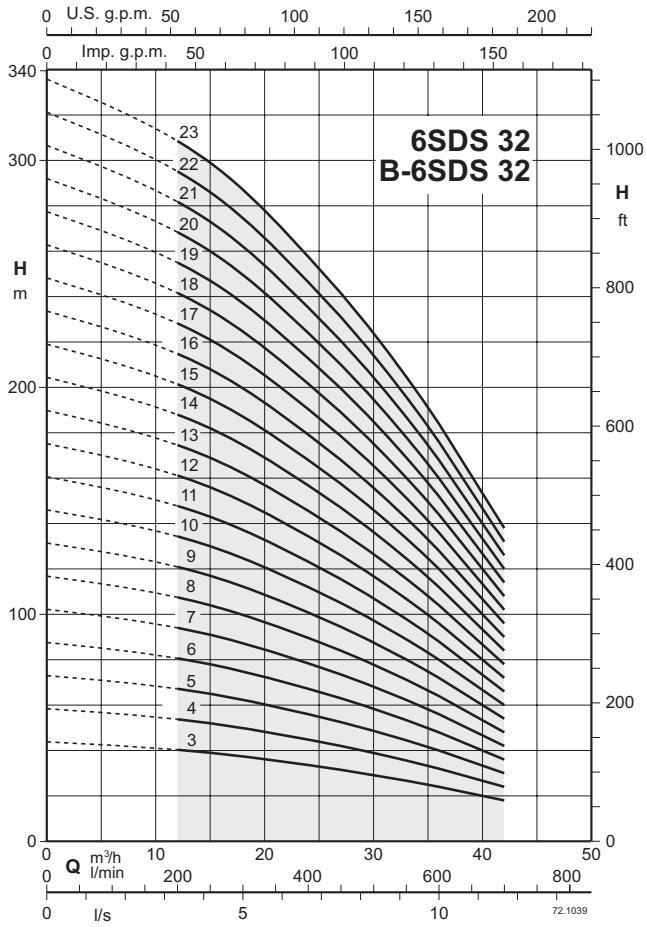
				Q = Flow												
				m³/h	0	80	90	100	110	125	140	150	160	170	180	190
Model	P2		l/min	1333	1500	1667	1833	2083	2333	2500	2667	2833	3000	3167		
		kW	HP	H (m) = Total head												
B10SDS	10SDS 160/1	18,5	25	63,2	39,5	38	37,5	36	34,5	32,5	31	29	26,5	22	20	
-	10SDS 160/2	37	50	0	78,5	76,5	74,5	72,5	69	65	62	58,2	53,5	44	40	
B10SDS	10SDS 160/3	55	75	187	118	114	112	108	104	98	92,5	87,5	80	66,5	60	
B10SDS	10SDS 160/4	75	100	238,6	157	153	149	145	138	130	123	117	107	88,5	80	
B10SDS	10SDS 160/5	92	125	298,5	196	191	186	181	173	163	154	146	134	111	100	
B10SDS	10SDS 160/6	110	150	365,5	236	229	224	217	207	195	185	175	160	133	120	
B10SDS	10SDS 160/7	130	175	424,8	275	267	261	253	242	228	216	204	187	155	140	
B10SDS	10SDS 160/8	150	200	479,7	314	305	298	289	276	260	246	233	213	177	160	
B10SDS	10SDS 160/9	185	250	573,3	356	342	338	324	311	293	279	261	239	198	180	

				Q = Flow										
				m³/h	0	100	120	140	160	180	200	220	230	240
Model	P2		l/min	1667	2000	2333	2667	3000	3333	3667	3833	4000	4167	
		kW	HP	H (m) = Total head										
B10SDS	10SDS 190/1	22	30	43	38	37	35	33	30	27	24	22	20	18
-	10SDS 190/2	45	60	0	76	73	70	66	61	55	47	44	40	36
B10SDS	10SDS 190/3	66	90	129,4	115	110	105	98	91	82	71	65	59	53
B10SDS	10SDS 190/4	92	125	163,7	153	147	140	131	121	109	95	87	79	71
B10SDS	10SDS 190/5	110	150	209,5	191	183	175	164	152	137	119	109	99	89
B10SDS	10SDS 190/6	130	175	238,7	229	220	210	197	182	164	142	131	119	107
B10SDS	10SDS 190/7	185	250	277,4	267	257	244	230	212	191	166	152	139	125

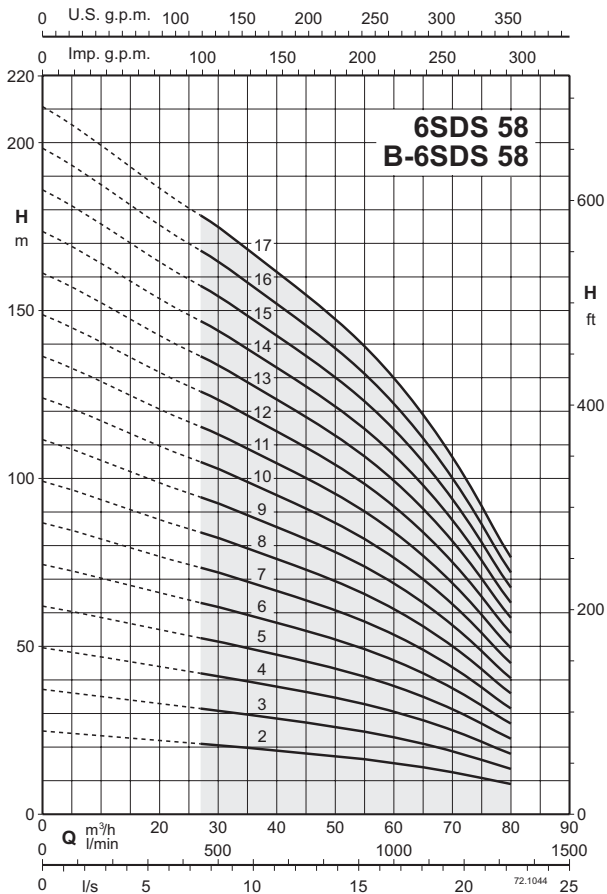
				Q = Flow										
				m³/h	0	150	180	200	220	240	260	280	300	315
Model	P2		l/min	2500	3000	3333	3667	4000	4333	4667	5000	5250	5833,3	
		kW	HP	H (m) = Total head										
B10SDS	10SDS 280/1	26	35	40,3	29	28	27	26	25	24	23	21	20	16
B10SDS	10SDS 280/2	55	75	123,8	59	55	53	51	50	48	46	42	40	31
B10SDS	10SDS 280/3	75	100	168,7	88	83	80	77	75	71	69	64	60	47
B10SDS	10SDS 280/4	110	150	232,1	118	111	106	103	100	95	92	85	80	63
B10SDS	10SDS 280/5	130	175	272,4	147	139	133	129	125	119	115	106	100	79
B10SDS	10SDS 280/6	150	200	312,7	176	167	160	155	150	143	138	127	120	95

P1: Maximum power input.
P2: Rated motor power output.
H: Total head in m

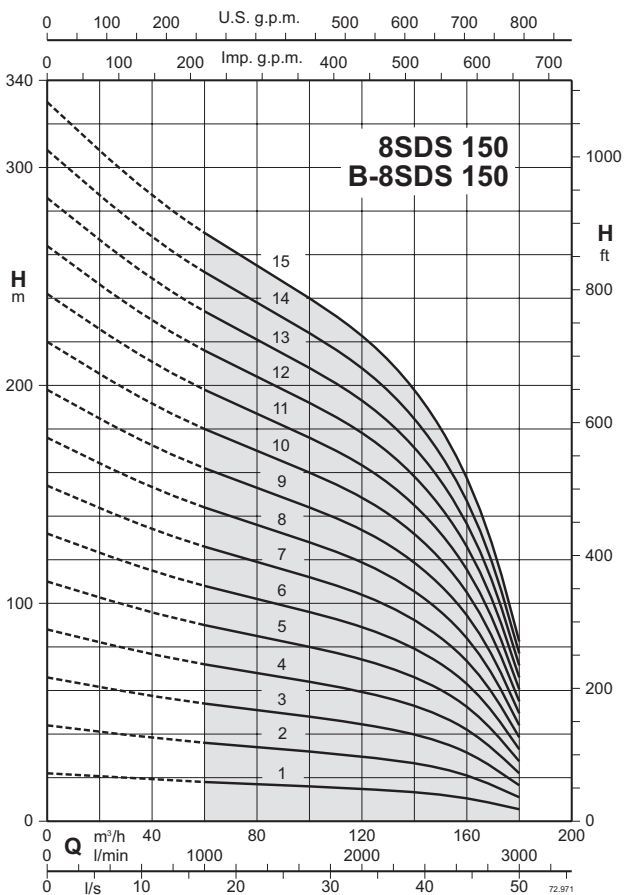
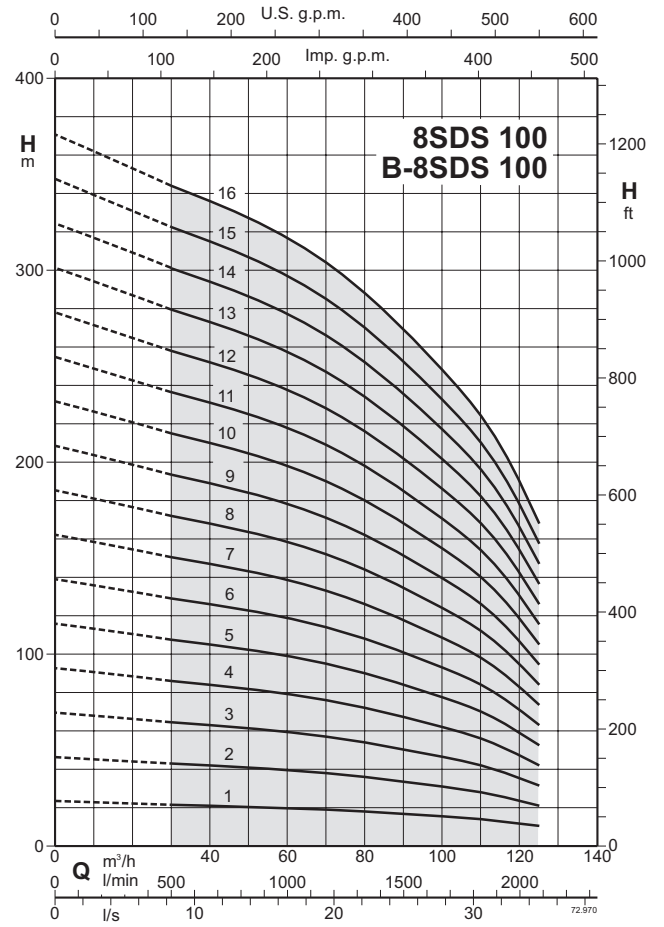
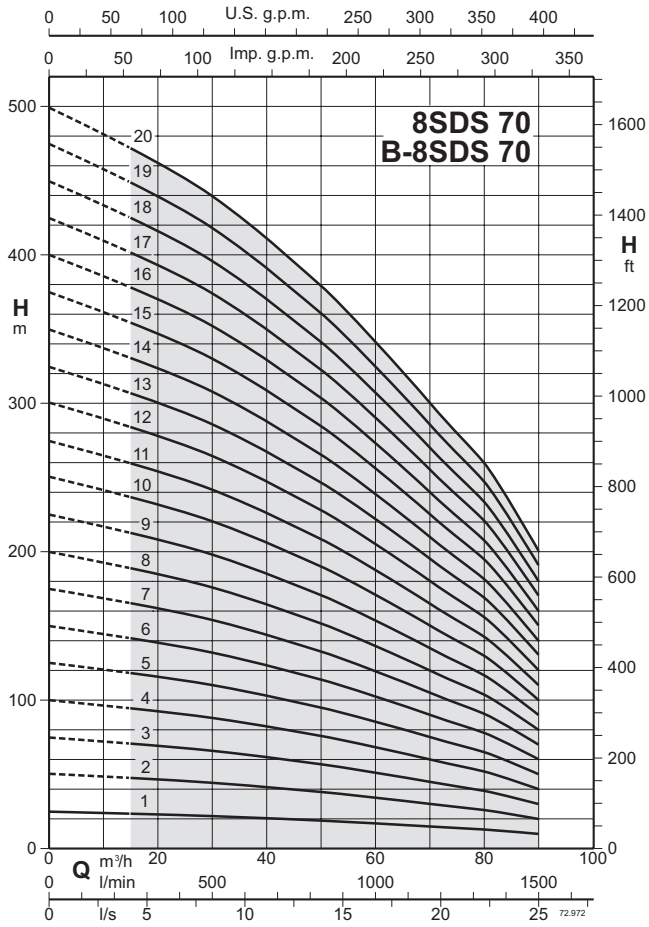
Characteristic curves $n \approx 2900$ rpm



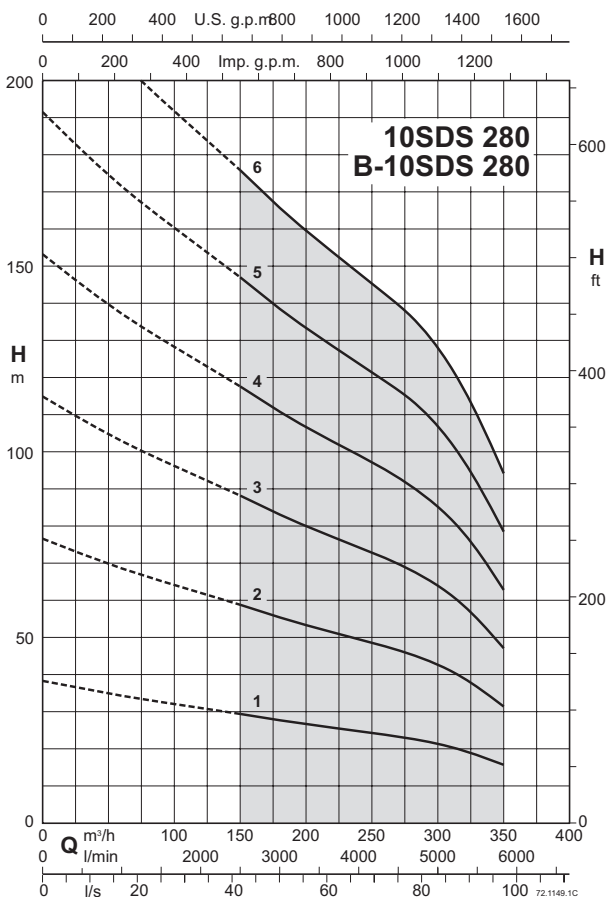
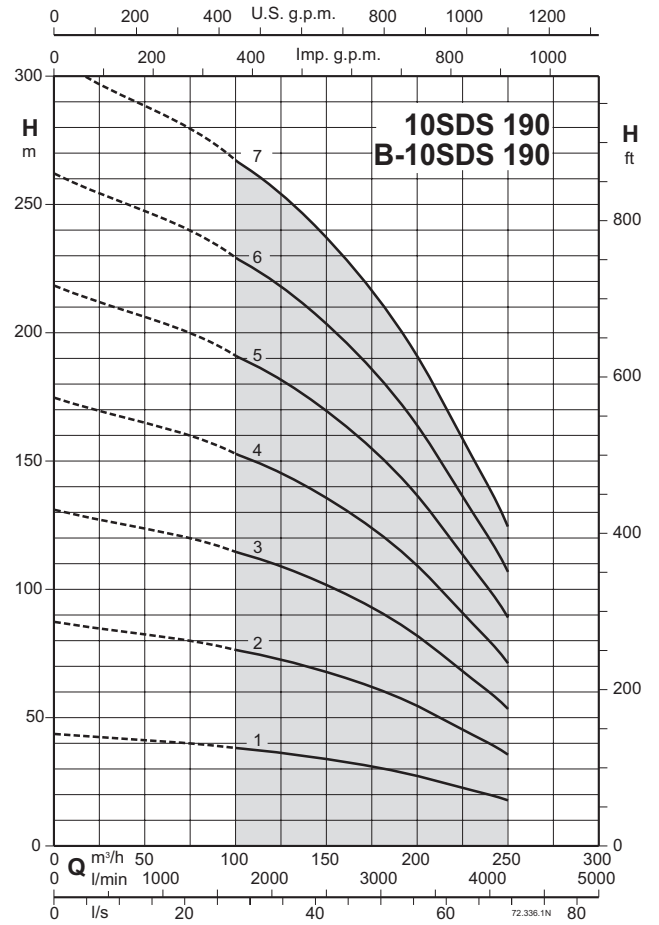
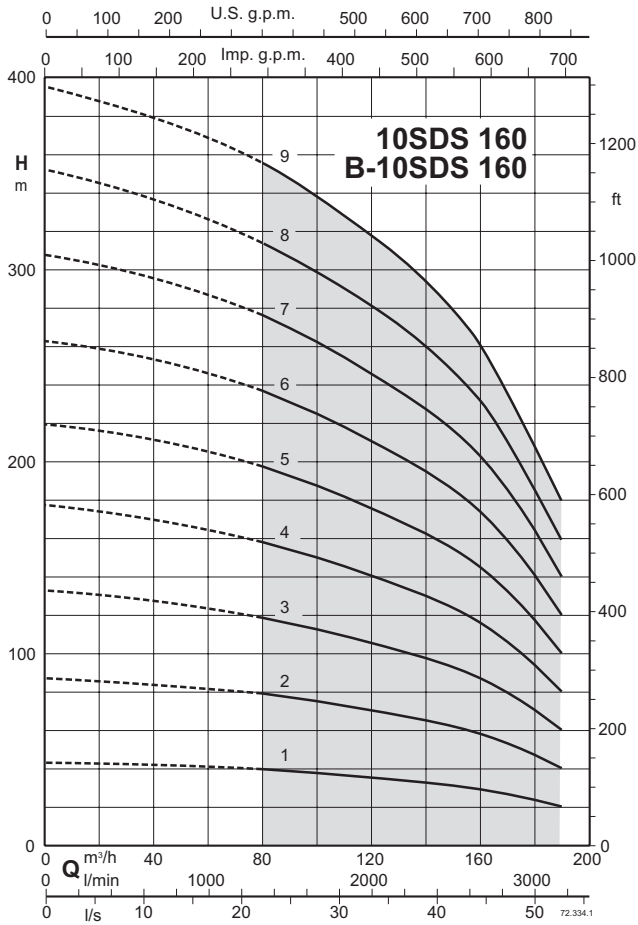
Pumps for specific applications with high sand content



Characteristic curves $n \approx 2900$ rpm



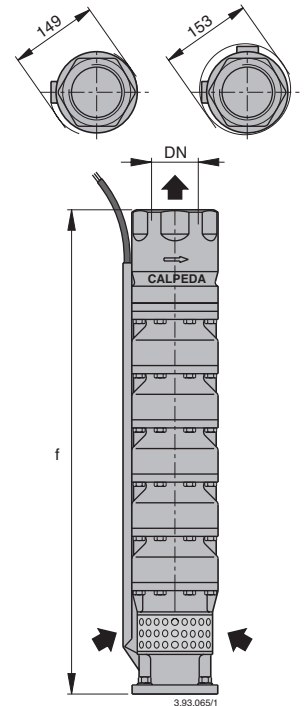
Characteristic curves $n \approx 2900$ rpm



Dimensions and weights

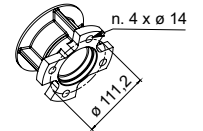
TYPE	DN2	mm			kg Weight
		f	l4	l5	
6SDS 32/3	G 3"	686	6"	149	30.1
6SDS 32/4	G 3"	788	6"	149	38
6SDS 32/5	G 3"	890	6"	149	39.5
6SDS 32/6	G 3"	992	6"	149	46.5
6SDS 32/7	G 3"	1094	6"	149	51
6SDS 32/8	G 3"	1196	6"	149	56.5
6SDS 32/9	G 3"	1298	6"	149	64
6SDS 32/10	G 3"	1400	6"	149	-
6SDS 32/11	G 3"	1502	6"	149	75
6SDS 32/12	G 3"	1604	6"	149	77
6SDS 32/13	G 3"	1706	6"	149	-
6SDS 32/14	G 3"	1808	6"	149	-
6SDS 32/15	G 3"	1910	6"	149	-
6SDS 32/16	G 3"	2012	6"	149	-
6SDS 32/17	G 3"	2114	6"	149	-
6SDS 32/18	G 3"	2216	6"	149	-
6SDS 32/19	G 3"	2318	6"	149	-
6SDS 32/20	G 3"	2420	6"	149	-
6SDS 32/21	G 3"	2522	6"	149	-
6SDS 32/22	G 3"	2624	6"	149	-
6SDS 32/23	G 3"	2726	6"	149	-

TYPE	ISO 228 DN2	mm			Kg Weight
		f	l4	l5	
B6SDS 32/3	G 3"	686	6"	149	38
B6SDS 32/4	G 3"	788	6"	149	43
B6SDS 32/5	G 3"	890	6"	149	47.5
B6SDS 32/6	G 3"	992	6"	149	57
B6SDS 32/7	G 3"	1094	6"	149	62.3
B6SDS 32/8	G 3"	1196	6"	149	-
B6SDS 32/9	G 3"	1298	6"	149	-
B6SDS 32/10	G 3"	1400	6"	149	-
B6SDS 32/11	G 3"	1502	6"	149	86.5
B6SDS 32/12	G 3"	1604	6"	149	93.5
B6SDS 32/13	G 3"	1706	6"	149	101
B6SDS 32/14	G 3"	1808	6"	149	108
B6SDS 32/15	G 3"	1910	6"	149	112
B6SDS 32/16	G 3"	2012	6"	149	119
B6SDS 32/17	G 3"	2114	6"	149	125
B6SDS 32/18	G 3"	2216	6"	149	132
B6SDS 32/19	G 3"	2318	6"	149	139
B6SDS 32/20	G 3"	2420	6"	149	145
B6SDS 32/21	G 3"	2522	6"	149	151
B6SDS 32/22	G 3"	2624	6"	149	157
B6SDS 32/23	G 3"	2726	6"	149	164



TYPE	DN2	mm			kg Weight
		f	l4	l5	
6SDS 42/2	G 3"	584	6"	149	26.6
6SDS 42/3	G 3"	686	6"	149	30.7
6SDS 42/4	G 3"	788	6"	149	34
6SDS 42/5	G 3"	890	6"	149	43
6SDS 42/6	G 3"	992	6"	149	46.5
6SDS 42/7	G 3"	1094	6"	149	50.5
6SDS 42/8	G 3"	1196	6"	149	55
6SDS 42/9	G 3"	1298	6"	149	67
6SDS 42/10	G 3"	1400	6"	149	66
6SDS 42/11	G 3"	1502	6"	149	72
6SDS 42/12	G 3"	1604	6"	149	-
6SDS 42/13	G 3"	1706	6"	149	83
6SDS 42/14	G 3"	1808	6"	149	-
6SDS 42/15	G 3"	1910	6"	149	-
6SDS 42/16	G 3"	2012	6"	149	-
6SDS 42/17	G 3"	2114	6"	149	-
6SDS 42/18	G 3"	2216	6"	149	-

TYPE	ISO 228 DN2	mm			Kg Weight
		f	l4	l5	
B6SDS 42/2	G 3"	584	6"	149	-
B6SDS 42/3	G 3"	686	6"	149	36.6
B6SDS 42/4	G 3"	788	6"	149	-
B6SDS 42/5	G 3"	890	6"	149	-
B6SDS 42/6	G 3"	992	6"	149	-
B6SDS 42/7	G 3"	1094	6"	149	-
B6SDS 42/8	G 3"	1196	6"	149	-
B6SDS 42/9	G 3"	1298	6"	149	-
B6SDS 42/10	G 3"	1400	6"	149	-
B6SDS 42/11	G 3"	1502	6"	149	86
B6SDS 42/12	G 3"	1604	6"	149	94.2
B6SDS 42/13	G 3"	1706	6"	149	99.2
B6SDS 42/14	G 3"	1808	6"	149	106
B6SDS 42/15	G 3"	1910	6"	149	113
B6SDS 42/16	G 3"	2012	6"	149	119
B6SDS 42/17	G 3"	2114	6"	149	126
B6SDS 42/18	G 3"	2216	6"	149	132



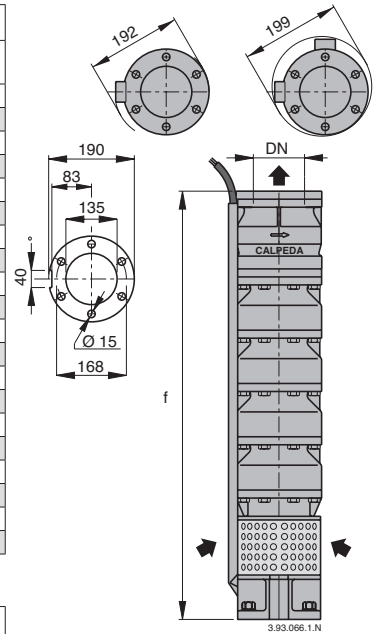
TYPE	DN2	mm			kg Weight
		f	l4	l5	
6SDS 58/2	G 4"	584	6"	149	24.4
6SDS 58/3	G 4"	686	6"	149	29.5
6SDS 58/4	G 4"	788	6"	149	33.5
6SDS 58/5	G 4"	890	6"	149	39.2
6SDS 58/6	G 4"	992	6"	149	43
6SDS 58/7	G 4"	1094	6"	149	55
6SDS 58/8	G 4"	1196	6"	149	53.5
6SDS 58/9	G 4"	1298	6"	149	58.5
6SDS 58/10	G 4"	1400	6"	149	63
6SDS 58/11	G 4"	1502	6"	149	67.5
6SDS 58/12	G 4"	1604	6"	149	72
6SDS 58/13	G 4"	1706	6"	149	-
6SDS 58/14	G 4"	1808	6"	149	80
6SDS 58/15	G 4"	1910	6"	149	-
6SDS 58/16	G 4"	2012	6"	149	-
6SDS 58/17	G 4"	2114	6"	149	-

TYPE	ISO 228 DN2	mm			Kg Weight
		f	l4	l5	
B6SDS 58/2	G 4"	584	6"	149	-
B6SDS 58/3	G 4"	686	6"	149	40
B6SDS 58/4	G 4"	788	6"	149	-
B6SDS 58/5	G 4"	890	6"	149	48
B6SDS 58/6	G 4"	992	6"	149	-
B6SDS 58/7	G 4"	1094	6"	149	-
B6SDS 58/8	G 4"	1196	6"	149	70.5
B6SDS 58/9	G 4"	1298	6"	149	-
B6SDS 58/10	G 4"	1400	6"	149	84
B6SDS 58/11	G 4"	1502	6"	149	90.2
B6SDS 58/12	G 4"	1604	6"	149	97.2
B6SDS 58/13	G 4"	1706	6"	149	104
B6SDS 58/14	G 4"	1808	6"	149	111
B6SDS 58/15	G 4"	1910	6"	149	118
B6SDS 58/16	G 4"	2012	6"	149	124
B6SDS 58/17	G 4"	2114	6"	149	131

Dimensions and weights

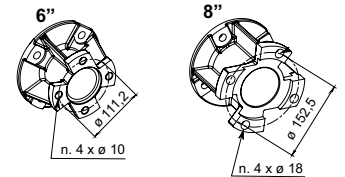
TYPE	DN2	mm			kg
		f	I4	I5	
8SDS 70/1	100	602	6"	192	41.5
8SDS 70/2	100	734	6"	192	64
8SDS 70/3	100	866	6"	192	64.5
8SDS 70/4	100	998	6"	192	74
8SDS 70/5	100	1130	6"	192	84.5
8SDS 70/6	100	1262	6"	192	95
8SDS 70/7	100	1394	6"	192	105
8SDS 70/8	100	1526	6"	192	96
8SDS 70/9	100	1658	6"	192	-
8SDS 70/10	100	1790	6"	192	136
8SDS 70/11	100	1922	8"	192	-
8SDS 70/12	100	2054	8"	192	-
8SDS 70/13	100	2186	8"	192	175
8SDS 70/14	100	2318	8"	192	181
8SDS 70/15	100	2450	8"	192	-
8SDS 70/16	100	2582	8"	192	-
8SDS 70/17	100	2714	8"	192	-
8SDS 70/18	100	2846	8"	192	-
8SDS 70/19	100	2978	8"	192	-
8SDS 70/20	100	3110	8"	192	-

TYPE	DN2	mm			kg
		f	I4	I5	
B8SDS 70/1	100	602	6"	192	43
B8SDS 70/2	100	734	6"	192	62.2
B8SDS 70/3	100	866	6"	192	76
B8SDS 70/4	100	998	6"	192	80.5
B8SDS 70/5	100	1130	6"	192	-
B8SDS 70/6	100	1262	6"	192	106
B8SDS 70/7	100	1394	6"	192	-
B8SDS 70/8	100	1526	6"	192	131
B8SDS 70/9	100	1658	6"	192	143
B8SDS 70/10	100	1790	6"	192	156
B8SDS 70/11	100	1922	8"	192	168
B8SDS 70/12	100	2054	8"	192	181
B8SDS 70/13	100	2186	8"	192	194
B8SDS 70/14	100	2318	8"	192	206
B8SDS 70/15	100	2450	8"	192	219
B8SDS 70/16	100	2582	8"	192	231
B8SDS 70/17	100	2714	8"	192	244
B8SDS 70/18	100	2846	8"	192	256
B8SDS 70/19	100	2978	8"	192	269
B8SDS 70/20	100	3110	8"	192	281



TYPE	DN2	mm			kg
		f	I4	I5	
8SDS 100/1	125	602	6"	192	40.5
8SDS 100/2	125	734	6"	192	50.5
8SDS 100/3	125	866	6"	192	62
8SDS 100/4	125	998	6"	192	73
8SDS 100/5	125	1130	6"	192	82
8SDS 100/6	125	1262	6"	192	93
8SDS 100/7	125	1394	6"	192	104
8SDS 100/8	125	1526	6"	192	112
8SDS 100/9	125	1658	8"	192	124
8SDS 100/10	125	1790	8"	192	143
8SDS 100/11	125	1922	8"	192	160
8SDS 100/12	125	2054	8"	192	-
8SDS 100/13	125	2186	8"	192	175
8SDS 100/14	125	2318	8"	192	-
8SDS 100/15	125	2450	8"	192	-
8SDS 100/16	125	2582	8"	192	213

TYPE	DN2	mm			kg
		f	I4	I5	
B8SDS 100/1	125	602	6"	192	49
B8SDS 100/2	125	734	6"	192	-
B8SDS 100/3	125	866	6"	192	-
B8SDS 100/4	125	998	6"	192	-
B8SDS 100/5	125	1130	6"	192	98
B8SDS 100/6	125	1262	6"	192	-
B8SDS 100/7	125	1394	6"	192	-
B8SDS 100/8	125	1526	6"	192	-
B8SDS 100/9	125	1658	8"	192	-
B8SDS 100/10	125	1790	8"	192	152
B8SDS 100/11	125	1922	8"	192	164
B8SDS 100/12	125	2054	8"	192	176
B8SDS 100/13	125	2186	8"	192	188
B8SDS 100/14	125	2318	8"	192	200
B8SDS 100/15	125	2450	8"	192	212
B8SDS 100/16	125	2582	8"	192	224



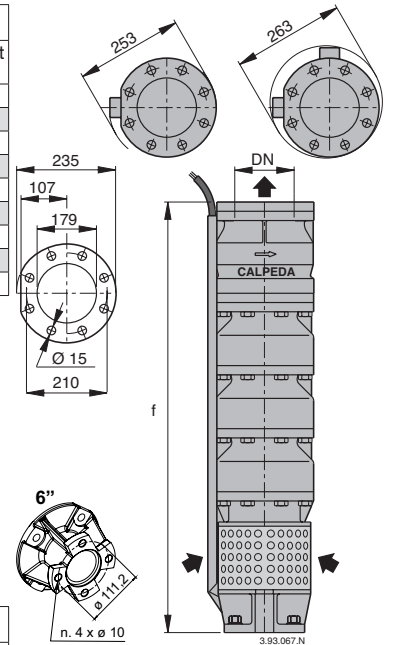
TYPE	DN2	mm			kg
		f	I4	I5	
8SDS 150/1	125	602	6"	192	40.5
8SDS 150/2	125	734	6"	192	50
8SDS 150/3	125	866	6"	192	61
8SDS 150/4	125	998	6"	192	69.5
8SDS 150/5	125	1130	6"	192	82.5
8SDS 150/6	125	1262	6"	192	83
8SDS 150/7	125	1394	8"	192	97
8SDS 150/8	125	1526	8"	192	111
8SDS 150/9	125	1658	8"	192	123
8SDS 150/10	125	1790	8"	192	126
8SDS 150/11	125	1922	8"	192	-
8SDS 150/12	125	2054	8"	192	-
8SDS 150/13	125	2186	10"	192	-
8SDS 150/14	125	2318	10"	192	-
8SDS 150/15	125	2450	10"	192	-

TYPE	DN2	mm			Kg
		f	I4	I5	
B8SDS 150/1	125	602	6"	192	47.2
B8SDS 150/2	125	734	6"	192	58.5
B8SDS 150/3	125	866	6"	192	-
B8SDS 150/4	125	998	6"	192	83
B8SDS 150/5	125	1130	6"	192	-
B8SDS 150/6	125	1262	6"	192	-
B8SDS 150/7	125	1394	8"	192	120
B8SDS 150/8	125	1526	8"	192	-
B8SDS 150/9	125	1658	8"	192	-
B8SDS 150/10	125	1790	8"	192	156
B8SDS 150/11	125	1922	8"	192	168
B8SDS 150/12	125	2054	8"	192	181
B8SDS 150/13	125	2186	10"	192	194
B8SDS 150/14	125	2318	10"	192	206
B8SDS 150/15	125	2450	10"	192	219

Dimensions and weights

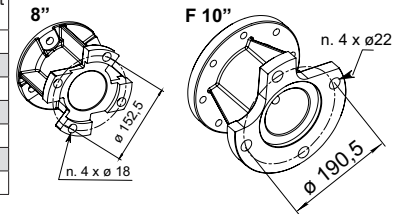
TYPE	DN2	mm			kg
		f	l4	l5	
10SDS 160/1	175	865	6"	253	90
10SDS 160/2	175	1035	6"	253	108
10SDS 160/3	175	1205	8"	253	130
10SDS 160/4	175	1375	8"	253	150
10SDS 160/5	175	1545	8"	253	175
10SDS 160/6	175	1715	10"	253	-
10SDS 160/7	175	1885	10"	253	-
10SDS 160/8	100	2055	10"	253	244
10SDS 160/9	100	2225	10"	253	268

TYPE	DN2	mm			kg
		f	l4	l5	
B10SDS 160/1	175	865	6"	253	-
B10SDS 160/2	175	1035	6"	253	124
B10SDS 160/3	175	1205	8"	253	141
B10SDS 160/4	175	1375	8"	253	169
B10SDS 160/5	175	1545	8"	253	195
B10SDS 160/6	175	1715	10"	253	222
B10SDS 160/7	175	1885	10"	253	-
B10SDS 160/8	175	2055	10"	253	276
B10SDS 160/9	175	2225	10"	253	303



TYPE	DN2	mm			kg
		f	l4	l5	
10SDS 190/1	175	865	6"	253	80
10SDS 190/2	175	1035	6"	253	105
10SDS 190/3	175	1205	8"	253	132
10SDS 190/4	175	1375	8"	253	-
10SDS 190/5	175	1545	10"	253	-
10SDS 190/6	175	1715	10"	253	-
10SDS 190/7	175	1715	10"	253	-

TYPE	DN2	mm			kg
		f	l4	l5	
B10SDS 190/1	175	865	6"	253	90
B10SDS 190/2	175	1035	6"	253	122
B10SDS 190/3	175	1205	8"	253	143
B10SDS 190/4	175	1375	8"	253	170
B10SDS 190/5	175	1545	10"	253	198
B10SDS 190/6	175	1715	10"	253	225
B10SDS 190/7	175	1885	10"	253	252



TYPE	DN2	mm			kg
		f	l4	l5	
10SDS 280/1	175	865	6"	253	75
10SDS 280/2	175	1035	8"	253	98
10SDS 280/3	175	1205	8"	253	115
10SDS 280/4	175	1375	10"	253	-
10SDS 280/5	175	1545	10"	253	170
10SDS 280/6	175	1715	10"	253	-

TYPE	DN2	mm			kg
		f	l4	l5	
B10SDS 280/1	175	865	6"	253	89
B10SDS 280/2	175	1035	8"	253	116
B10SDS 280/3	175	1205	8"	253	143
B10SDS 280/4	175	1375	10"	253	170
B10SDS 280/5	175	1545	10"	253	226
B10SDS 280/6	175	1715	10"	253	-

Cables connection kit

It allows connection of electric cables with junction submerged in water.

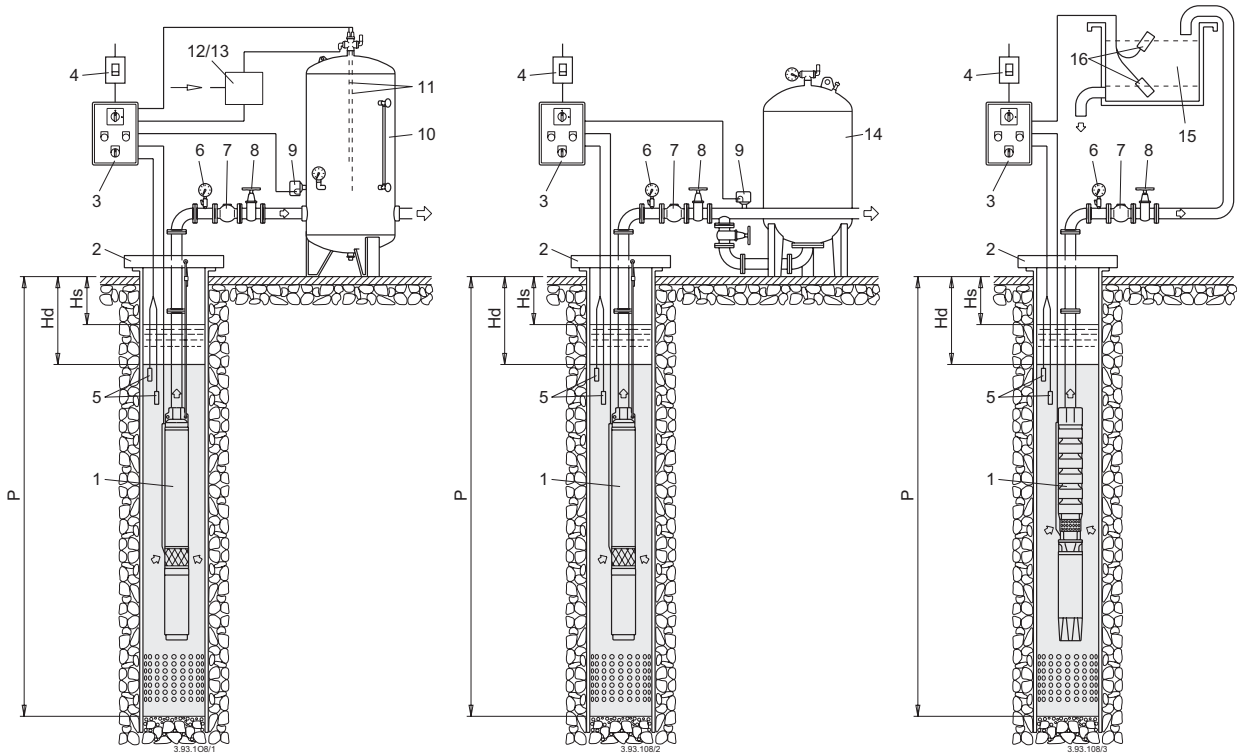
The kit includes:

- 4 connectors
- 4 shrink-sheaths for protection of individual wires
- 1 shrink-sheath for protection of the 4-pole wire.

The shrinkage of the sheath occurs with the action of a heat source (flame or hair dryer) that causes the resin to escape, thus guaranteeing the watertightness of the joint.



Plant examples



- 1 Submersible pump
- 2 Pump support system
- 3 Electric control board
- 4 Circuit breaker
- 5 Minimum level probes
- 6 Pressure gauge
- 7 Check valve
- 8 Throttle gate valve

- 9 Pressure switch
- 10 Pressure tank
- 11 Probes for air entry control
- 12 Electric valve
- 13 Compressor
- 14 Membrane tank
- 15 Storage tank
- 16 Start-stop probes

- Hs Static level
- Hd Dynamic level
- P Tubewell depth