

General Data

| | |
|---|-----------------|
| Model: | GRIX 32-2/110 T |
| Code: | 2001592 |
| Series: | GRIX |
| Weight [Kg] | 25.50 |
| Submersible eletropumps for sewage with an inbuilt macerator in the inlet | |

Hydraulic

| | |
|---------------------------|------------------|
| Impeller Type: | - |
| Delivery DN [mm]: | G 1"1/4 DN32 PN6 |
| Input DN [mm]: | - |
| Free Passage [mm]: | - |
| Impeller Ø [mm]: | 150 |
| Max Pump Efficiency [%]: | 0.0 |
| Global Efficiency [%]: | 18.72 |
| Head [m]: | 14.90 |
| Flow [m ³ /h]: | 7.20 |

Tolerance according to ISO 9906:2012 3B2



Attention: pictures for illustrative purposes

Features

| | |
|------------------------|---------------------------------|
| Upper Meccanical seal: | Lips seal |
| Lower Meccanical Seal: | Silicon carbide/Ceramic/Viton |
| Upper Bearing: | Single raw ball bearing |
| Lower Bearing: | Single raw ball bearing |
| IP Protection: | IP68 |
| Motor protection: | not present |
| Humidity sensor: | not present |
| ATEX: | not present |
| Applied Paint: | Two component water-based paint |
| Cable Length [m]: | 10 |
| Lubricating Oil: | Q8 WF15 |
| Oil Quantity [Kg]: | 0.45 |

Materials

| | |
|-----------------|-----------------------|
| Pump: | - |
| Impeller: | - |
| Motor shaft: | - |
| Cooling Jacket: | Not available |
| Screw: | Stainless steel A2-70 |
| Cable: | H07RN8F |

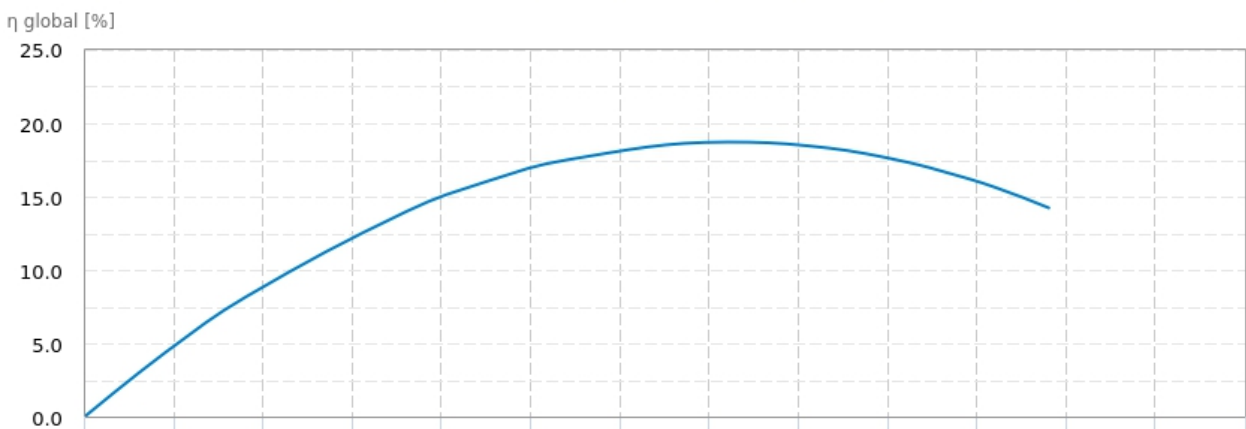
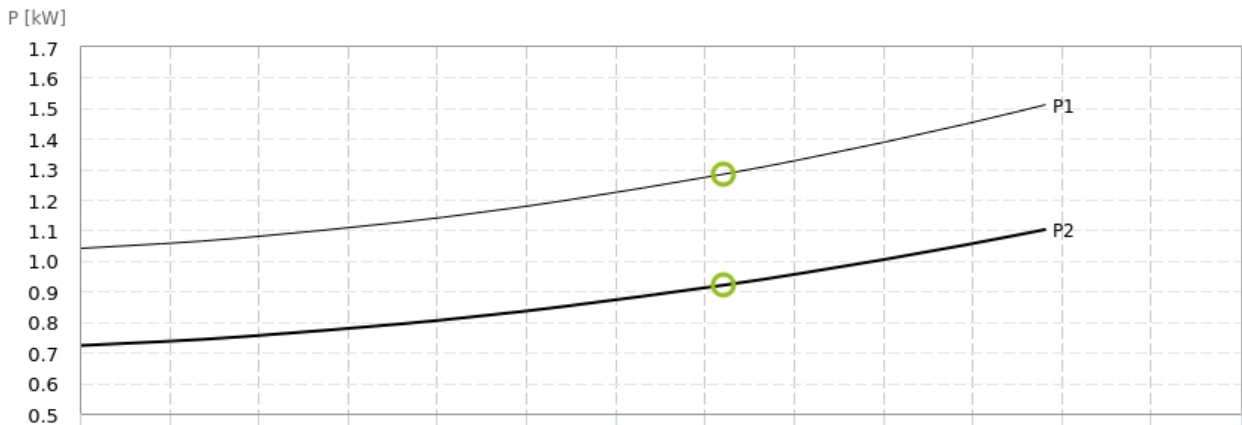
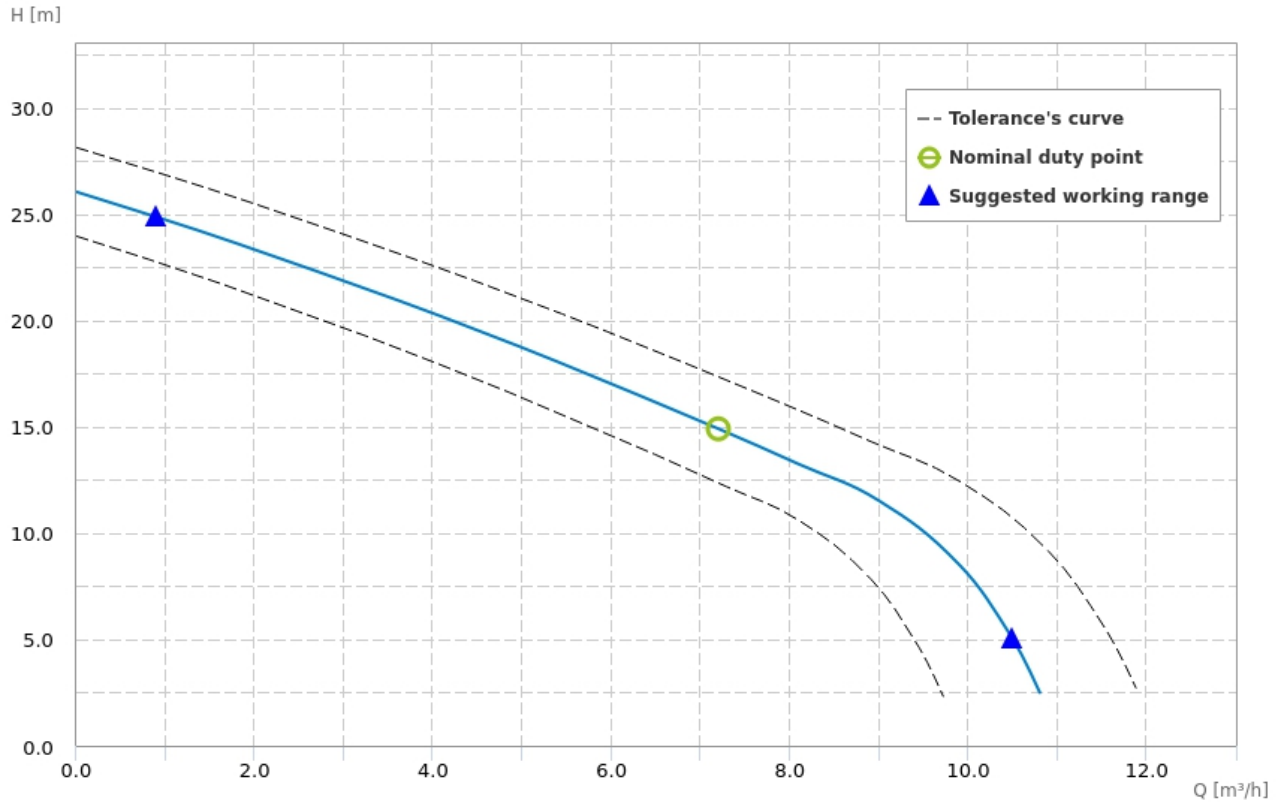
Pumped Liquid

| | |
|----------------|--------------------------|
| Pumped Liquid: | Light and lightly sewage |
|----------------|--------------------------|

| | |
|--------------------------------|------------|
| Density [Kg/dm ³]: | 1.1 |
| pH: | 2023-10-06 |
| Temperature Range: | 0-40°C |

Installation

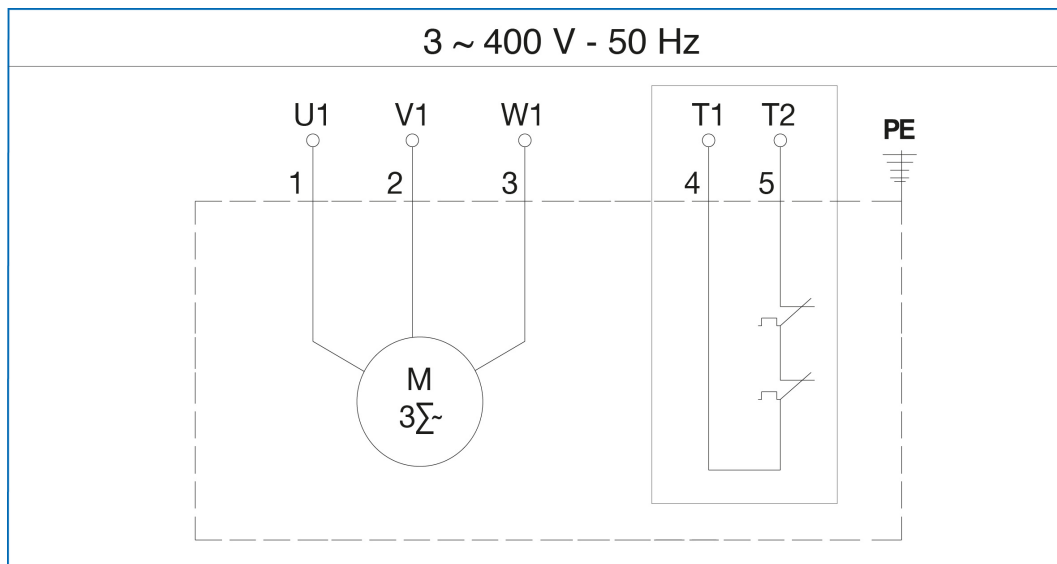
| | |
|---------------------------------|---|
| Maximum depth of immersion [m]: | 20 |
| Cooling Type: | The cooling of the motor is ensured by the surrounding liquid |
| Installation: | |
| Floating on board machine: | not present |



Motor

| | |
|----------------------------------|------------|
| Motor code: | 3520160220 |
| Power P1 [kW]: | 1.50 |
| Power P2 [kW]: | 1.10 |
| Phases: | 3 |
| Frequency [Hz]: | 50 |
| Tension [V]: | 400 |
| Nominal current [A]: | 2.9 |
| Starting current [%]: | 518.0 |
| Power Factor: | 0.74 |
| R.P.M.: | 2850 |
| Starting: | D.O.L |
| Capacitor [µF]: | 0.0 |
| Insulation Class: | F 155°C |
| Service type: | S2 |
| Max Efficiency [%]: | 79.70 |
| Max Efficiency at full load [%]: | 79.6 |
| Efficiency at ¾ load [%]: | 79.5 |
| Efficiency at ½ load [%]: | 79.5 |
| Efficiency class: | - |

Wiring diagrams



Dimensions drawing

