

# Max™ & UltraMax™ Series

Toughest high-pressure applications



## Features

- Suitable for many high-pressure applications
- Super thick steel construction
- Patented stainless steel water connection
- Virgin polypropylene liner
- Dual layer polyurethane paint finish
- Leak-free O-ring sealed air valve
- High-grade butyl diaphragm
- Available in 16 bar and 25 bar maximum pressure
- Replaceable tank base
- Comprehensive testing
- Maintenance-free



*Certifications may vary by model. Check with your GWS sales representative for more detailed information.*

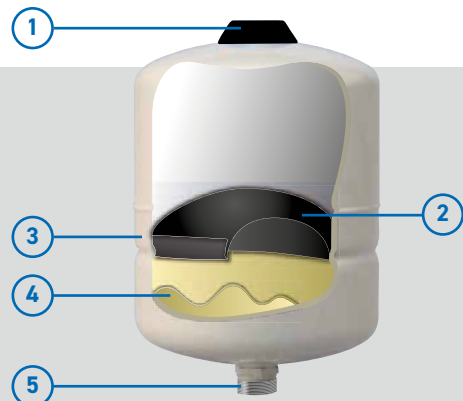
Featuring the same high-quality, zero-maintenance design as our PressureWave™ series, Max™ and UltraMax™ tanks are built with thicker gauge steel to handle the toughest high-pressure applications.

From skyscrapers, high-rise commercial and residential properties, to large-scale irrigation and industrial systems, Max and UltraMax tanks are the #1 choice of engineers, designers, consultants, and specifiers the world over.

No matter the application, whether it's high-pressure water supply, high-pressure flushing, pressure regulation in fire pump and sprinkler systems or protection against pressure surges caused by hydraulic shock and water hammer, industry experts agree that Max and UltraMax tanks are the best solution whenever high-pressure tanks are required.

### Construction of Max™ and UltraMax™ tank

1. Leak free, O-ring sealed air valve cap
2. High grade butyl diaphragm design
3. Dual layer polyurethane paint finish
4. Virgin polypropylene liner
5. Patented stainless steel water connection



Where Water Gets Better

## Models

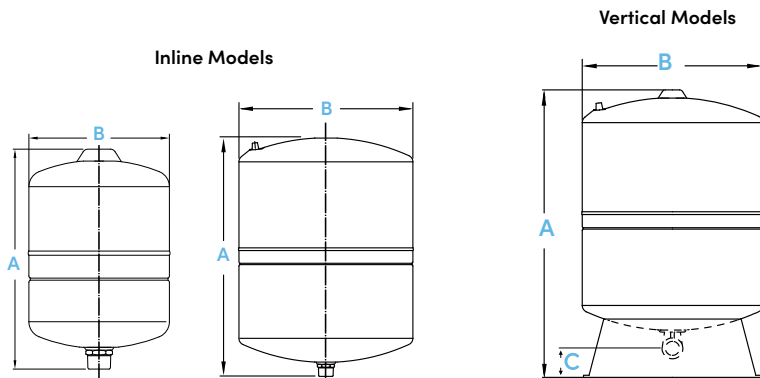
Model Number		Connection	Nominal Volume		Dimensions (mm)			Gross Weight [kg]
BSP	NPT		Liters	Gallons	A	B	C	
<b>Max Inline Models</b>								
MXB-2LX*	MXN-2LX*	1" BSPT / 1" NPT	2	0.5	208	126	-	13.2
MXB-8LX	MXN-8LX	1" BSPT / 1" NPT	8	2.1	312	202	-	3.0
MXB-12LX	MXN-12LX	1" BSPT / 1" NPT	12	3.2	367	231	-	4.0
MXB-18LX	MXN-18LX	1" BSPT / 1" NPT	18	4.8	367	279	-	5.0
MXB-24LX	MXN-24LX	1" BSPT / 1" NPT	24	6.3	447	290	-	6.4
MXB-35LX	MXN-35LX	1" BSPT / 1" NPT	35	9.2	480	319	-	8.9
<b>Max Vertical Models</b>								
MXB-60LV	MXN-60LV	1" BSPP / 1" NPT	60	15.8	619	390	63	15.1
MXB-80LV	MXN-80LV	1" BSPP / 1" NPT	80	21.1	815	390	63	20.7
MXB-100LV	MXN-100LV	1" BSPP / 1" NPT	100	26.4	805	432	59	26.8
<b>UltraMax Inline Models</b>								
UMB-8LX	UMN-8LX	1" BSPT / 1" NPT	8	2.1	309	203	-	3.6
UMB-24LX	UMN-24LX	1" BSPT / 1" NPT	24	6.3	444	293	-	8.9
<b>UltraMax Vertical Models</b>								
UMB-100LV	UMN-100LV	1" BSPP / 1" NPT	100	26.4	819	435	59	40.6

\*MXB-2LX: 12 pcs/box

Note: Minor dimensional variations may occur.

## Specifications

Product Series Name	Max™ & UltraMax™
Nominal Volumes	Max: 2 - 100 L / 0.5 - 26.4 gal UltraMax: 8 - 100 L / 2.1 - 26.4 gal
Min. Operating Temperature	-10°C / 14°F (Avoid Freezing)
Max. Operating Temperature	90°C / 194°F
Max. Operating Pressure	Max: 16 bar   232 psi UltraMax: 25 bar   363 psi
Factory Pre-charge	4 bar   58 psi



**TOUGHEST HIGH-PRESSURE APPLICATIONS**