

Receiver

From

Company
Reference
Address
Phone
Fax
E-mail

Item n° : 505934002
Customer pos. no.:

Model :
DPH 60/280.50 M

Pump data

Pressure rating : PN 10
Min. fluid temperature : -10 °C
Max. fluid temperature : 110 °C

Minimum suction head :

Temperature	°C	75	90	110	120
Minimum suction head :	m	1,6	6	14	--

Requested data

Flow :
Head :
Fluid (%) :
Fluid Temperature : 20 °C
Density : 998,3 kg/m³
Kinematic viscosity : 1,005 mm²/s
Vapor pressure : 0,00 MPa

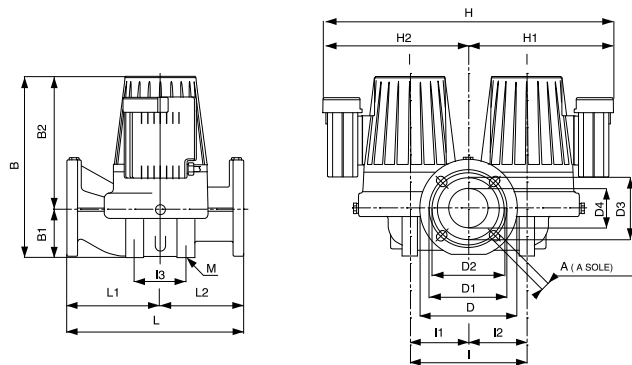
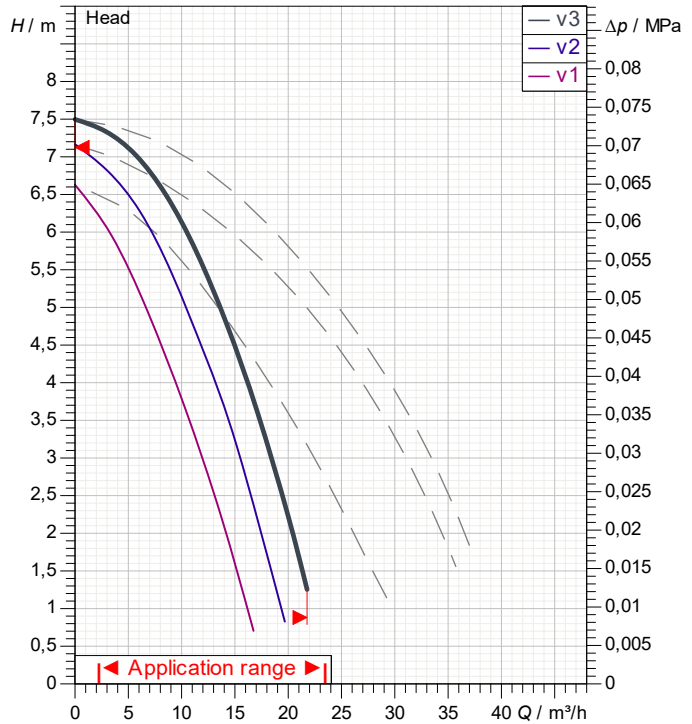
Hydraulic data (duty point)

Flow :
Head :

Materials

Pump body	Cast iron 200 UNI ISO 185
Impeller	Technopolymer B
Motor shaft	AISI 420 C
Air vent plug	Brass P Cu Zn40 Pb2 UNI 5705
Seal ring	Ethylene propylene (EPDM)
Motor casing	Die cast aluminium
Stator jacket	AISI 321Bon. - AISI 304

Curve tolerance according to ISO 9906
Number of working motors : 1



Motor data

Motor brand : DAB
Max. Power input P1 : 1 X 0,5949 kW
Rated speed : 2.840 1/min
Rated voltage : 1~ 230 V 50 Hz
Nominal current : 1 X 2,79 A
Degree of protection : IP 44

Dimensions in mm

A	18	D	165	D4	50	I	240
B	308	D1	125	H	556	I1	120
B1	73	D2	110	H1	278	I2	120
B2	235	D3	90	H2	278	I3	120

Weight : 44,5 kg

Pump connection

Suction side : DN 50 / PN 10
Discharge side : DN 50 / PN 10



PERFORMANCE CURVES

2025-01-10

Page 2 / 3

DAB PUMPS S.p.A.
Via Marco Polo, 14 - 35035 Mestrino (PD), Italy
Tel. +39 049 5125000 - Fax +39 049 5125950
www.dabpumps.com

Receiver

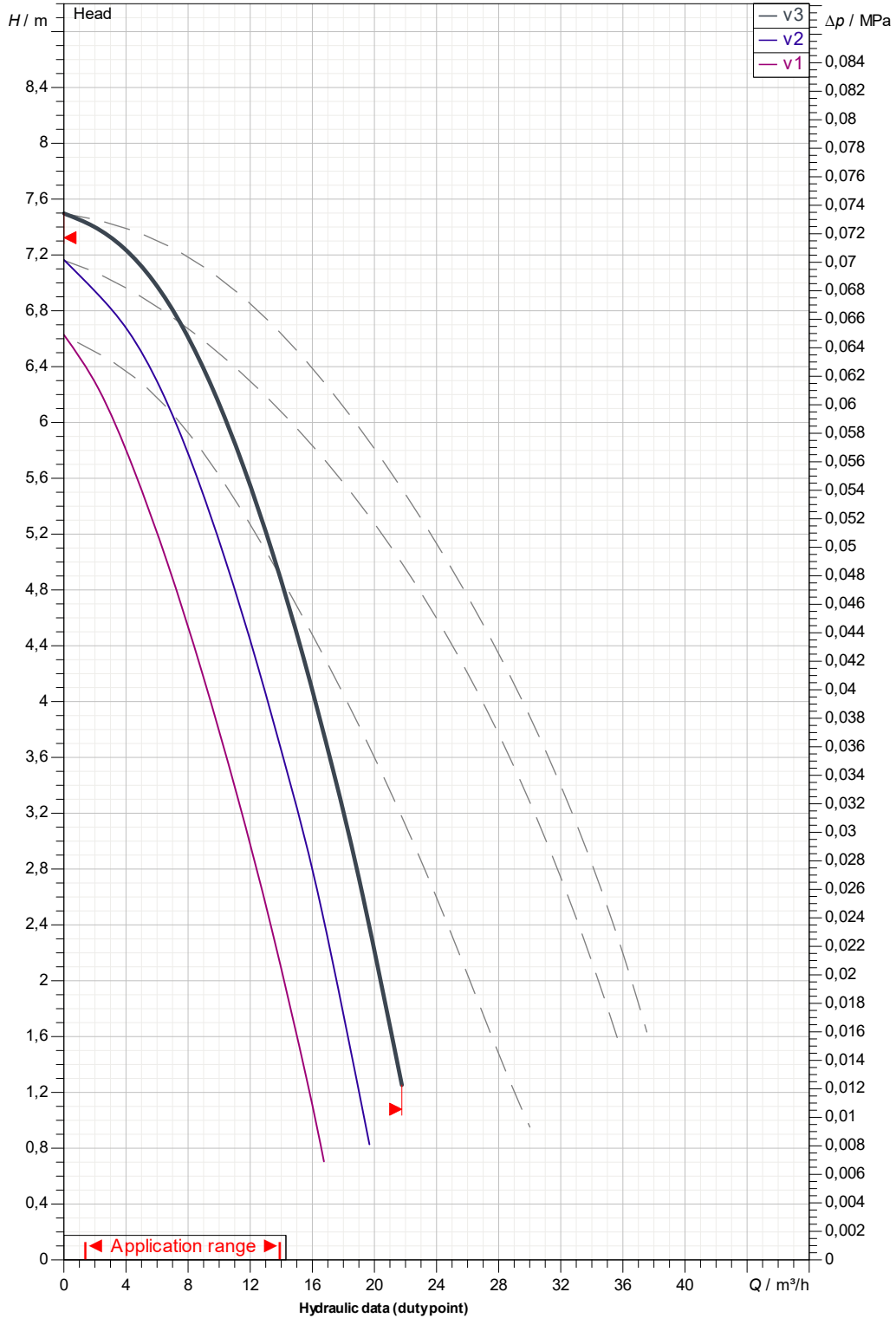
From

Company
Reference
Address
Phone
Fax
E-mail

DPH 60/280.50 M

Number of working motors : 1

Curve tolerance according to ISO 9906



Suction side :
DN 50
PN 10

Discharge side :
DN 50
PN 10

Flow :

Head :

Rated speed :
2.840 1/min

MAIN_PROJECT_TITLE

BUSINESS_PROCESS_ID

OWNER_

ISSUE_DATE

2025-01-10



DIMENSIONAL DRAWING

2025-01-10

Page 3 / 3

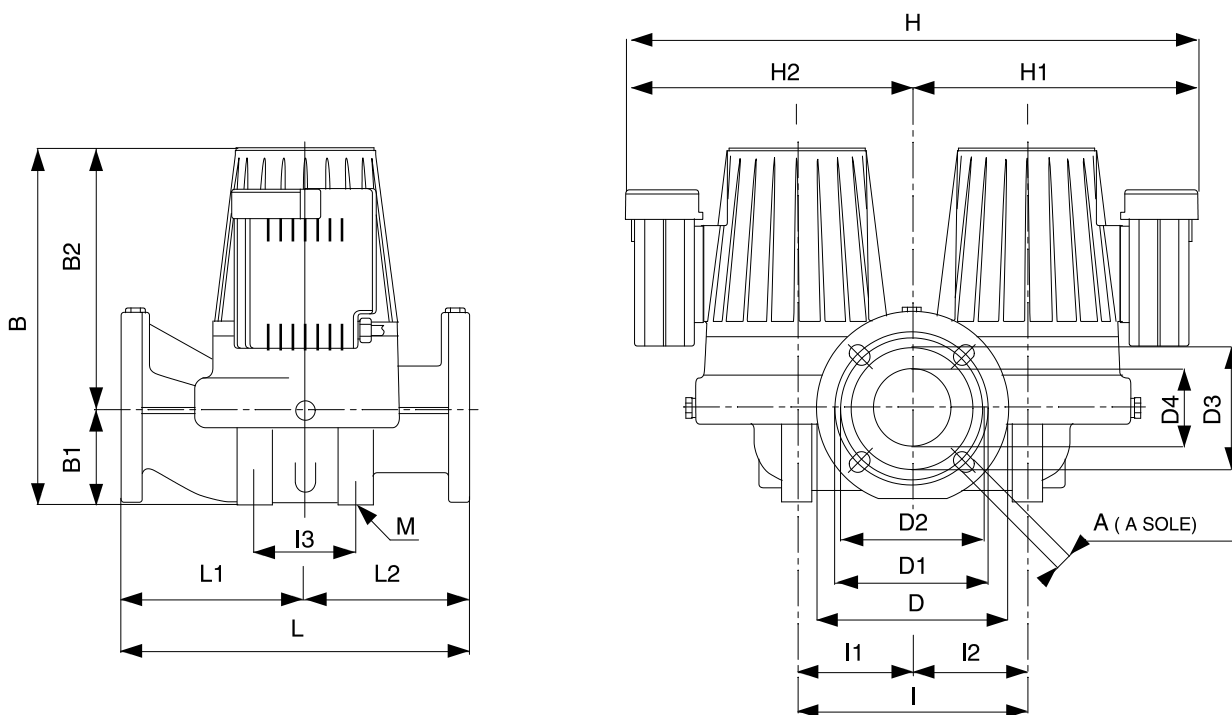
DAB PUMPS S.p.A.
Via Marco Polo, 14 - 35035 Mestrino (PD), Italy
Tel. +39 049 5125000 - Fax +39 049 5125950
www.dabpumps.com

Receiver

From

Company
Reference
Address
Phone
Fax
E-mail

DPH 60/280.50 M



Dimensions in mm

Pump connection

1	A	18	H2	278	Suction DN 50 PN 10 Discharge DN 50 PN 10
2	B	308	I	240	
3	B1	73	I1	120	
4	B2	235	I2	120	
5	D	165	I3	120	
6	D1	125	L	280	
7	D2	110	L1	130	
8	D3	90	L2	150	
9	D4	50	M	M14	
10	H	556			
11	H1	278			

MAIN_PROJECT_TITLE

BUSINESS_PROCESS_ID

OWNER_

ISSUE_DATE

2025-01-10