

General Data

Model:	COMPATTA 55 M/G
Code:	2000035
Series:	Compatta
Weight [Kg]	22.00
Submersible pump for sewage with suspended solids	

Hydraulic

Impeller Type:	-
Delivery DN [mm]:	G 2"
Input DN [mm]:	50
Free Passage [mm]:	50
Impeller Ø [mm]:	120
Max Pump Efficiency [%]:	0.0
Global Efficiency [%]:	22.34
Head [m]:	8.86
Flow [m³/h]:	18.00

Tolerance according to ISO 9906:2012 3B2



Attention: pictures for illustrative purposes

Features

Upper Meccanical seal:	Lips seal
Lower Meccanical Seal:	Silicon Carbide/Ceramic/Viton
Upper Bearing:	Single raw ball bearing
Lower Bearing:	Single raw ball bearing
IP Protection:	IP68
Motor protection:	present
Humidity sensor:	not present
ATEX:	not present
Applied Paint:	Two component water-based paint
Cable Length [m]:	10
Lubricating Oil:	-
Oil Quantity [Kg]:	0.00

Materials

Pump:	-
Impeller:	-
Motor shaft:	-
Cooling Jacket:	Not available
Screw:	Stainless steel A2-70
Cable:	H07RN8F

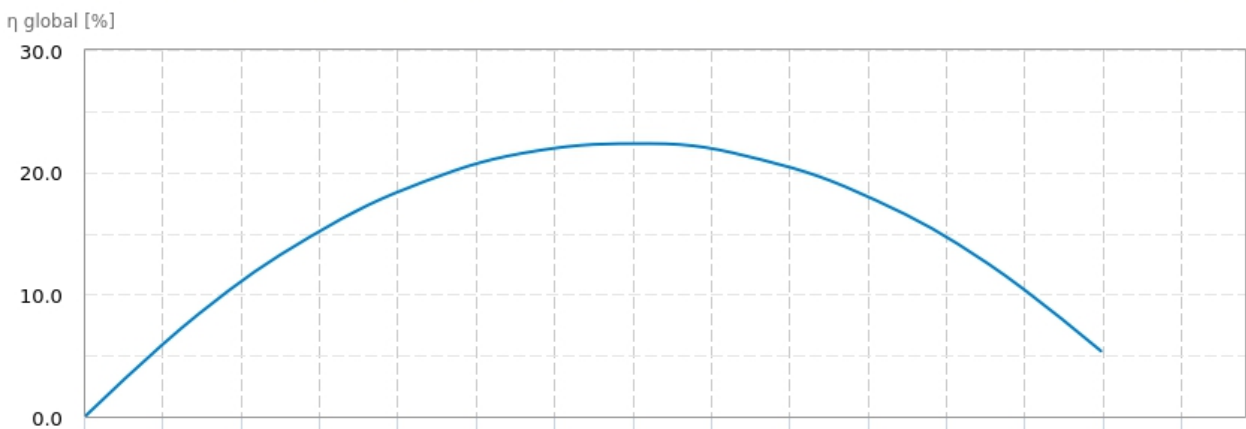
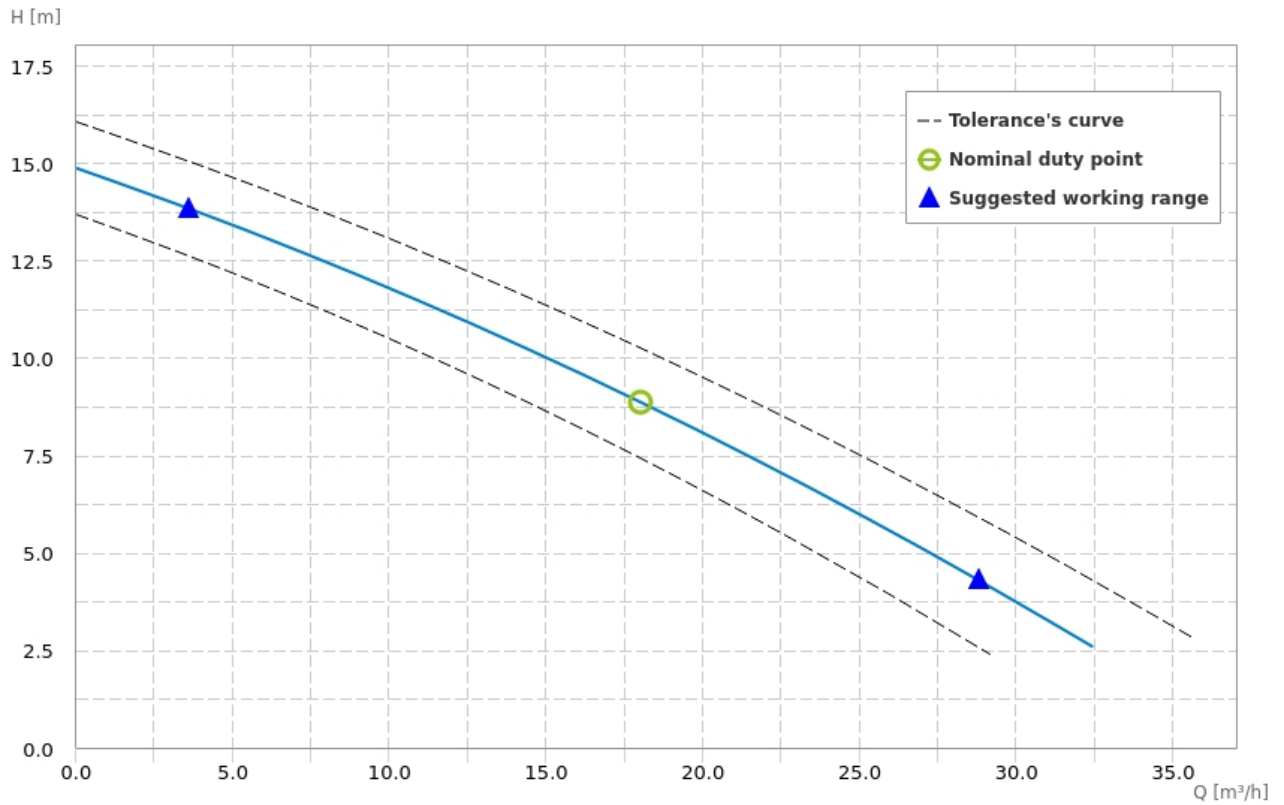
Pumped Liquid

Pumped Liquid:	Sewage
Density [Kg/dm³]:	1.1

pH: 2023-10-06
Temperature Range: 0-40°C

Installation

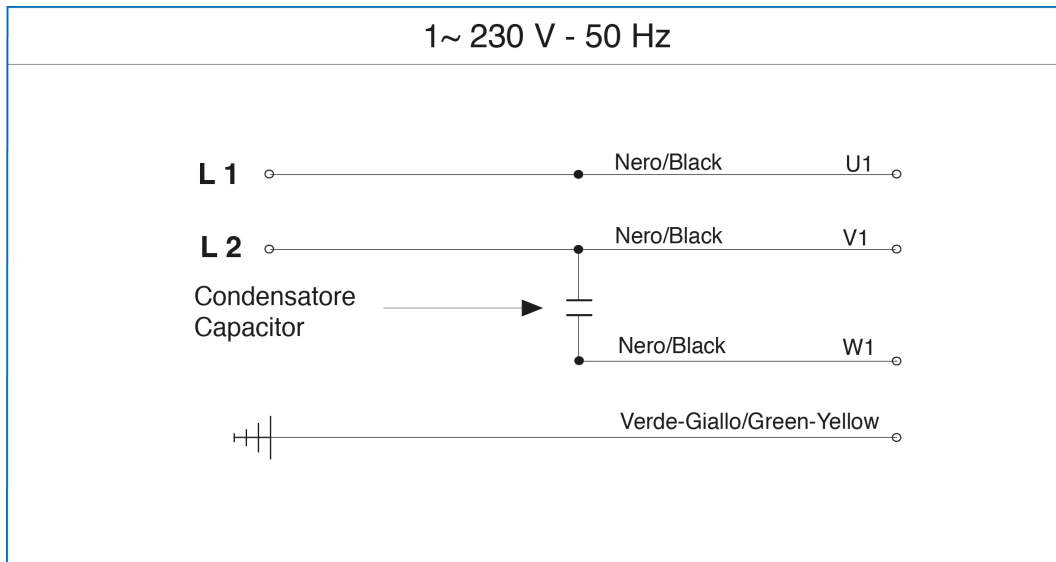
Maximum depth of immersion [m]: 20
Cooling Type: The cooling of the motor is ensured by the surrounding liquid
Installation:
Floating on board machine: present



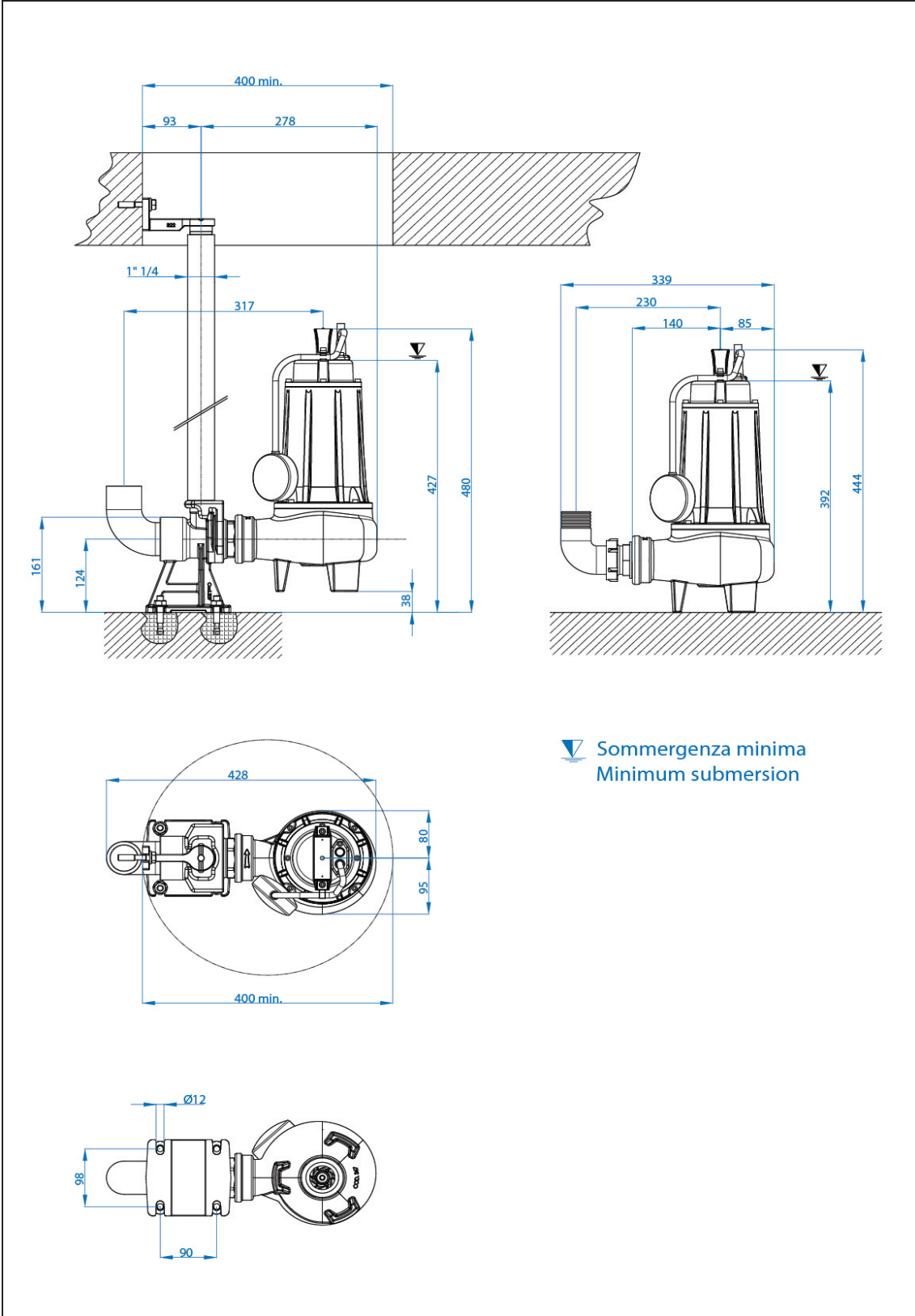
Motor

Motor code:	3520180220
Power P1 [kW]:	2.19
Power P2 [kW]:	1.50
Phases:	1
Frequency [Hz]:	50
Tension [V]:	230
Nominal current [A]:	9.9
Starting current [%]:	232.0
Power Factor:	0.94
R.P.M.:	2850
Starting:	D.O.L
Capacitor [μ F]:	32.0
Insulation Class:	F 155°C
Service type:	S2
Max Efficiency [%]:	77.20
Max Efficiency at full load [%]:	68.5
Efficiency at $\frac{3}{4}$ load [%]:	70.0
Efficiency at $\frac{1}{2}$ load [%]:	70.0
Efficiency class:	-

Wiring diagrams



Dimensions drawing



▼ Sommergenza minima
Minimum submersion