

Kiekis	Aprašymas
--------	-----------

1	LC 242 2 x 1,9-6,3 DOL 3X400 PI OPT
---	-------------------------------------



Atkreipkite dėmesį! Paveikslėlyje parodytas produktas gali skirtis nuo tikrojo

Produkto Nr.: [99877285](#)

The LC 242 level controllers offers a comprehensive range of features for control and monitoring for groundwater supply or tank filling. The LC 242 is a metal or plastic cabinet solution offering modularity and customization according to your needs.

The LC 242 pump controllers are designed for level control, monitoring and protection of groundwater installation with one or two pumps starting direct-on-line, star delta or as soft starter.

The LC 242 pump controllers can be used in various type of application e.g. groundwater supply, irrigation systems, small waterworks, network pumping stations, main pumping stations, commercial buildings and municipal systems.

The set-up of the control is easily done either by the predefined application settings or via the step-by-step start-up wizard in the intuitive Grundfos GO app, using Bluetooth Smart technology. With the Grundfos GO app, all detailed pump settings can be easily being configured, monitored and commissioned.

The controller is equipped with configurable input/output terminals, giving full flexibility for all applications. However, as option the IO 241 module with more input/output options can be build-in. Additional options like manual ON/OFF/AUTO switch, fault light, can also be part of your customized solution.

Daily control, supervision and commissioning is straightforward with the intuitive and easy to-use user interface.

This saves you valuable time when getting started, and in your daily interaction with pumps and the controller.

The controller integrates seamlessly into the Grundfos range of communication modules, ensuring an easy fit into any supervisory system such as SCADA or Grundfos CLOUD.

The controller maintains a detailed alarm and warning log with the last 20 alerts.

The alarm log can be accessed remotely via SCADA or Grundfos CLOUD.

You can also use Grundfos GO to inspect the logs in localized, translated text for easy troubleshooting and remedial measures at the pumping station.

The LC 242 controller enable:

- Control of 1 or 2 pumps based on signals from sensor input (analog, 0-5 V, 0.5-3.5V, 0-10 V, 0-20 mA, 4-20 mA or digital, float switch)  
Support up to five control levels for both analogue level transmitter or float switch operation  
Supports simple application where only one float switch is present - single float switch operation  
Configurable input/output terminals that can be used as digital input/output, analogue input and Pt 100/1000 inputs for flexible use in the actual application.  
Prevent the pumps with automatic test run from due to deposits  
Prevent the mains load when several pumping stations are started up at the same time with power-on delay.  
Protection against water hammer as quick restart/simultaneous start is blocked and delayed  
Selection of automatic alarm resetting

Kiekis	Aprašymas
1	<p>Setting of stop delays matching the actual operating conditions Shows the actual liquid level Alarm indication via build in buzzer</p> <p>Alarm indication of:</p> <ul style="list-style-type: none"> <li>• Power/current measurement (Optional)</li> <li>Dry running</li> <li>High water level</li> <li>Incorrect phase sequences or missing phase</li> <li>Sensor inconsistency or failure</li> <li>Intrusion detection</li> <li>Water on floor</li> <li>Too many restarts</li> <li>Pump overheating and moisture detection</li> </ul> <p>As standard, the LC 242 controller has two alarm relays that can be configured using Grundfos GO to show a variety of status information on a supervisory system or PLC.</p> <p>Valdikliai: Sistemos sutrikimo indikatorius (Taip / Ne): N Ryšio sąsajos modulis (Taip/Ne): N Rank./Išj./Auto. jungiklis (Taip / Ne): N Ex barjerinis analogas (Taip / Ne): N Išorinis skaitmeninis barjeras (Taip / Ne): N Dabartinis matavimas (Taip / Ne): Y IO 241 (Yes/No): Y Atsarginė baterija (Taip / Ne): N Mains switch (Yes/No): N Electrode-relay (Yes/No): N RCD panel (Yes/No): N RCD per pump (Yes/No): N Circuit breaker per pump (Yes/No): N</p> <p>Techniniai duomenys: Sertifikatai: CE,EAC,UKCA,MOROCCO Siurblių skaičius: 2</p> <p>Medžiagos: Spinta: Plastic</p> <p>Įrengimas: Aplinkos temperatūros intervalas: -20 .. 45 °C Spintos montavimas: Montavimas ant sienos Įžeminimas: PE</p> <p>Elektrotechniniai duomenys: Elektros tinklo dažnis: 50 / 60 Hz Nominali įtampa: 3 x 400 V Nominali srovė: 1.9-6.3 A Darbinis kondensatorius: N/A µF Paleidimo kondensatorius: N/A µF Paleidimo būdas: Direct-on-line (DOL) Korpuso klasė (IEC 34-5): IP54 Reikalingas atsarginis saugiklis: 16 A</p> <p>Kita:</p>



Įmonės pavadinimas:

Paruošė:

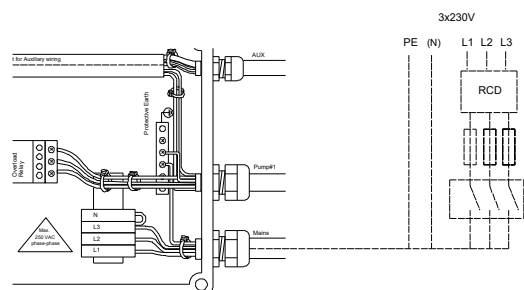
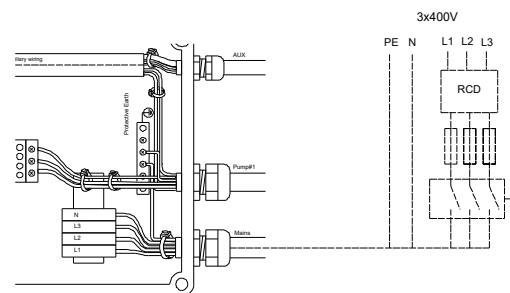
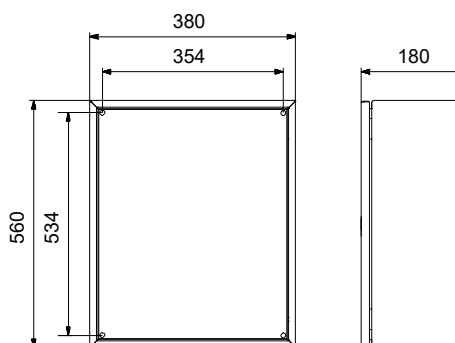
Telefonas:

Data:

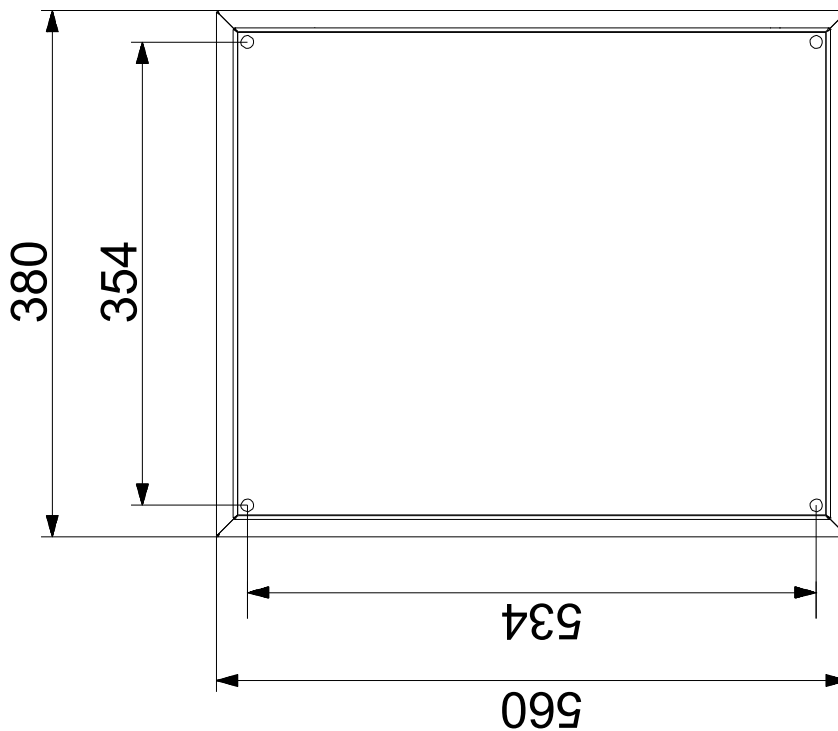
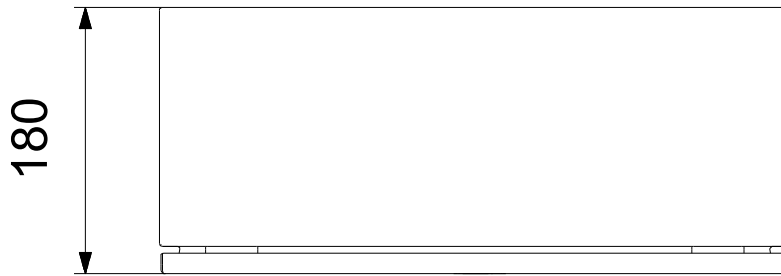
2025-02-04

Kiekis	Aprašymas
1	Neto masė: 9.22 kg Bruto masė: 9.64 kg Tiekimo tūris: 0.038 m <sup>3</sup> Bendras aukštis: 560 mm Bendras plotis: 380 mm Kilmės šalis: DK Muitinės kodas: 85371098

Aprašymas	Vertė
<b>Bendra informacija:</b>	
Produkto pavadinimas:	LC 242 2 x 1,9-6,3 DOL 3X400 PI OPT
Produkto Nr.:	99877285
EAN numeris:	5713835592293
<b>Techniniai duomenys:</b>	
Sertifikatai:	CE,EAC,UKCA,MOROCCO
Siurblių skaičius:	2
<b>Medžiagos:</b>	
Spinta:	Plastic
<b>Įrengimas:</b>	
Aplinkos temperatūros intervalas:	-20 .. 45 °C
Spintos montavimas:	Montavimas ant sienos
Įžeminimas:	PE
<b>Elektrotechniniai duomenys:</b>	
Elektros tinklo dažnis:	50 / 60 Hz
Nominali įtampa:	3 x 400 V
Nominali srovė:	1.9-6.3 A
Darbinis kondensatorius:	N/A µF
Paleidimo kondensatorius:	N/A µF
Paleidimo būdas:	Direct-on-line (DOL)
Korpuso klasė (IEC 34-5):	IP54
Reikalingas atsarginis saugiklis:	16 A
<b>Valdikliai:</b>	
Sistemos sutrikimo indikatorius (Taip / Ne):	N
Ryšio sąsajos modulis (Taip/Ne):	N
Rank./Išj./Auto. jungiklis (Taip / Ne):	N
Ex barjerinis analogas (Taip / Ne):	N
Išorinis skaitmeninis barjeras (Taip / Ne):	N
Dabartinis matavimas (Taip / Ne):	Y
IO 241 (Yes/No):	Y
Atsarginė baterija (Taip / Ne):	N
Mains switch (Yes/No):	N
Electrode-relay (Yes/No):	N
RCD panel (Yes/No):	N
RCD per pump (Yes/No):	N
Circuit breaker per pump (Yes/No):	N
<b>Kita:</b>	
Neto masė:	9.22 kg
Bruto masė:	9.64 kg
Tiekimo tūris:	0.038 m <sup>3</sup>
Pardavimo regionas:	Europe
Bendras aukštis:	560 mm
Bendras plotis:	380 mm
Kilmės šalis:	DK
Muitinės kodas:	85371098

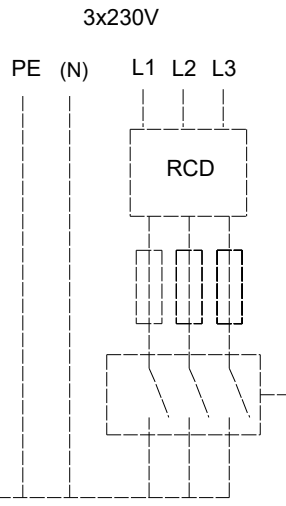
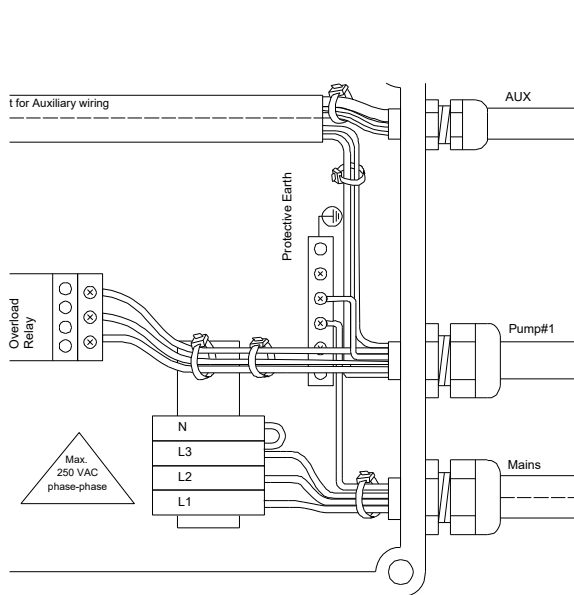
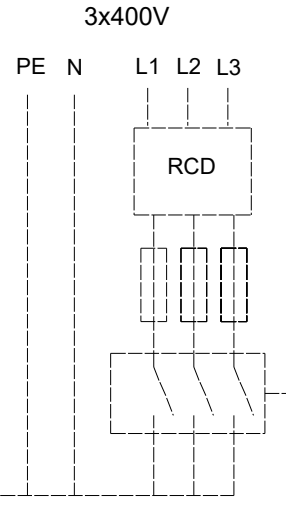
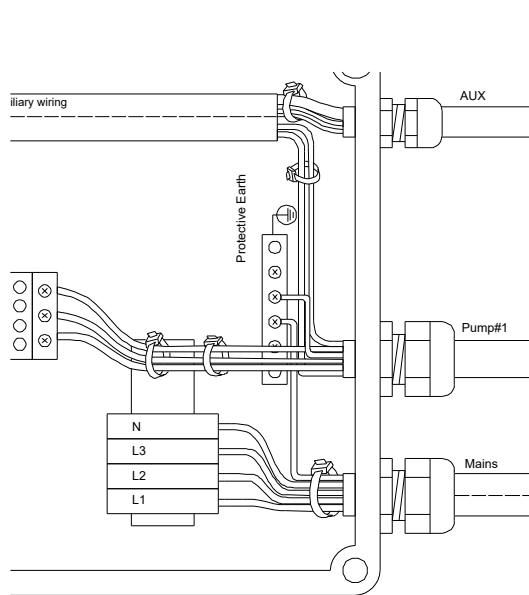


**99877285 LC 242 2 x 1,9-6,3 DOL 3X400 PI OPT**



Atkreipkite dėmesį! Visi matmenys, jei nenurodyta kitaip, pateikti milimetrais.  
Atsakomybės apribojimas: šiame supaprastintame matmenų brėžinyje neparodytos visos detalės.

## 99877285 LC 242 2 x 1,9-6,3 DOL 3X400 PI OPT



Atkreipkite dėmesį! Visi matmenys, jei nenurodyta kitaip, pateikti milimetrais.