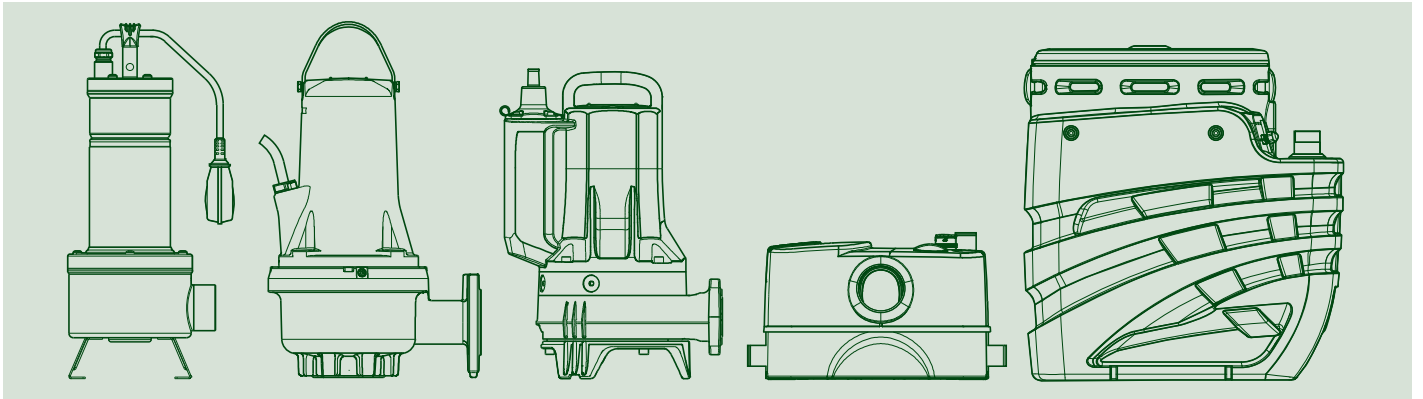


SUBMERSIBLE PUMPS



**TECHNICAL
CATALOGUE**

FEKA VS - FEKA VSL

SUBMERSIBLE PUMPS



TECHNICAL DATA

Operating range:

from 0 to 32 m³/h with head up to 14 metres.

Pumped liquid: sewage water and used water in general, non aggressive.

Free passage: 50 mm.

Liquid temperature range:

- from 0 °C to +35 °C for domestic use (EN 60335-2-41).

- from 0 °C to +50 °C for other uses.

Maximum ambient temperature for operation with motor above water: +40 °C

Maximum immersion depth: 7 metres.

Motor protection class: IP 68

Insulation class: F

Standard voltage: 220-240 V - 50Hz single-phase.

380-415 V - 50Hz three-phase.

Power cable:

10 metre H07RN-F, with plug for the single-phase version.

Installation: fixed or portable, vertical position.

APPLICATIONS

Stainless steel submersible centrifugal pump with microcast steel liquid vortex impeller, suitable for lifting sewage and drain water in general containing solid matter with size up to 50 mm.

CONSTRUCTION FEATURES OF THE PUMP

AISI 304 stainless steel pump body, seal cover, motor cover, and cap with handle. Microcast steel impeller (FEKA VS) and technopolymer (FEKA VSL). Insulating rubber covered handle. AISI 316 stainless steel motor shaft. Double mechanical seal with interposed oil chamber (non-toxic oil) in carbon-alumina on the motor side, and silicon carbide/silicon carbide on the pump side.

CONSTRUCTION FEATURES OF THE MOTOR

Dry, asynchronous and waterproof motor, cooled by the pumped liquid. Rotor running on permanently lubricated ball bearings, selected to ensure low noise and durability. Overcurrent protection as standard for the single-phase version, optional for the three-phase version. Permanently connected capacitor in the single-phase version. Continuous duty with liquid temperature 35 °C and completely submerged pump. The single-phase version can be supplied with float for automatic operation. Power cable: 10 metre H07RN-F, with plug for the single-phase version.

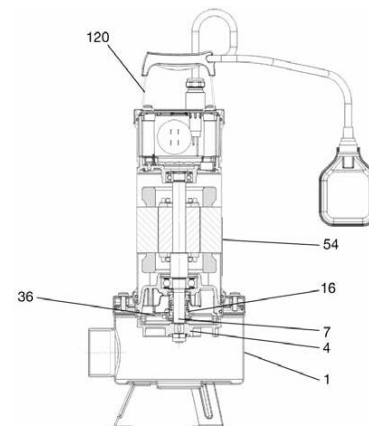
Number of poles: 2

Max starts/hour: 20

MATERIALS

N.	PARTS*	MATERIALS	
1	PUMP BODY	AISI 304 STAINLESS STEEL	
4	IMPELLER FEKA VS	AISI 304 MICROCAST STEEL	
	IMPELLER FEKA VSL	TECHNOPOLYMER	
7	MOTOR SHAFT	AISI 316 STAINLESS STEEL	
16	MECHANICAL SEAL	PUMP SIDE	SILICON CARBIDE/SILICON CARBIDE
		MOTOR SIDE	CARBON/ALUMINA
36	SEAL COVER	AISI 304 STAINLESS STEEL	
54	MOTOR CASING	AISI 304 STAINLESS STEEL	
120	HANDLE	AISI 304 STAINLESS STEEL INSULATING RUBBER COATED	

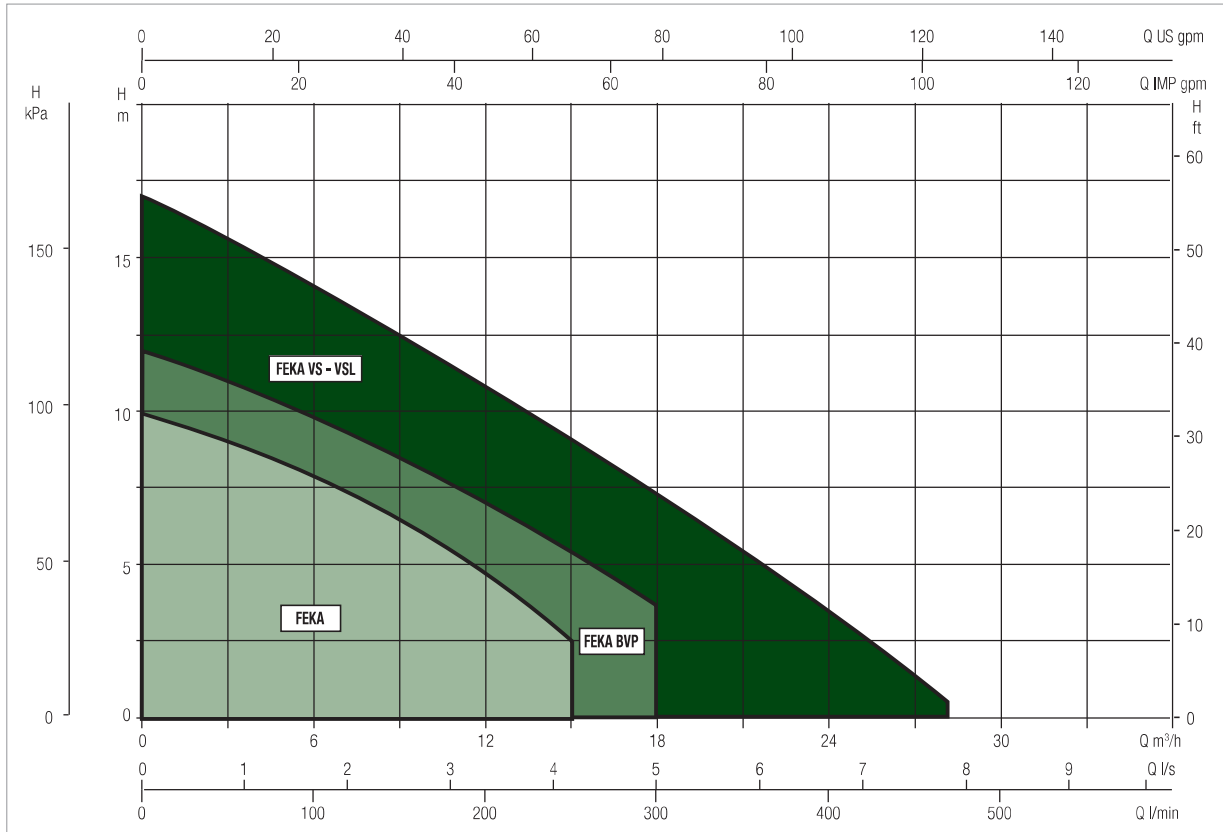
* In contact with the liquid



PERFORMANCE RANGE

The performance curves are based on kinematic viscosity values = 1 mm²/s and density equal to 1000 kg/m³. Curve tolerance according to ISO 9906.

GRAPHIC SELECTION TABLE

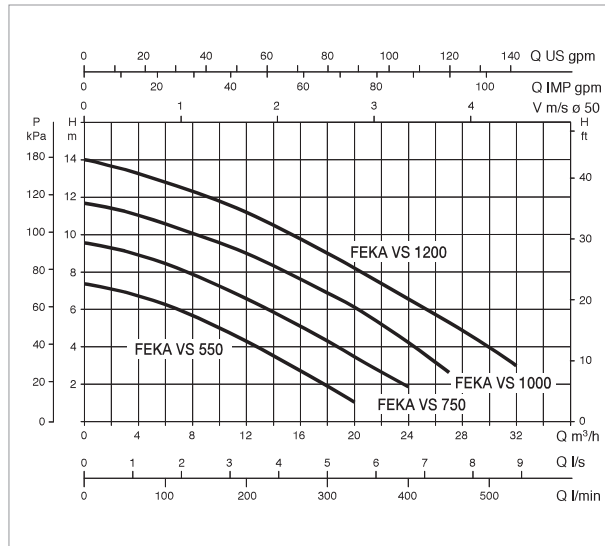
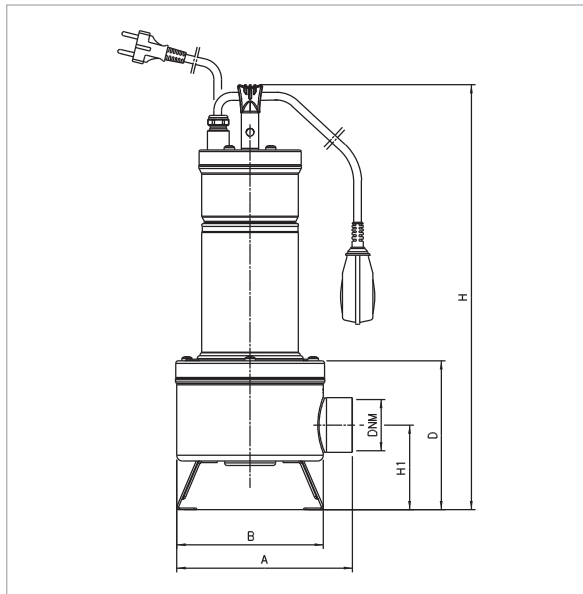


SELECTION TABLE - FEKA VS / FEKA VSL

MODEL	Q=m ³ /h	0	3	6	9	12	15	18	24	30	36
	Q=l/min	0	50	100	150	200	250	300	400	500	600
FEKA VS 550 M-T	H (m)	7,4	6,9	6,2	5,6	4,1	3,2	1,8			
FEKA VS 750 M-T		9,6	9,2	8,5	7,6	6,7	5,6	4,3	1,9		
FEKA VS 1000 M-T		11,8	11,3	10,5	9,8	9	8	6,8	4,1		
FEKA VS 1200 M-T		14	13,4	12,8	12	11,2	10,1	9	6,7	4	
FEKA VSL 550 M-A		7,4	6,9	6,2	5,6	4,1	3,2	1,8			
FEKA VSL 750 M-A		9,6	9,2	8,5	7,6	6,7	5,6	4,3	1,9		

FEKA VS - SUBMERSIBLE PUMPS FOR LIFTING WASTE WATER

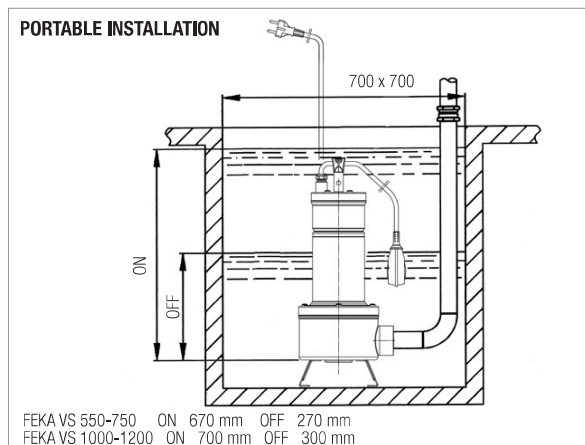
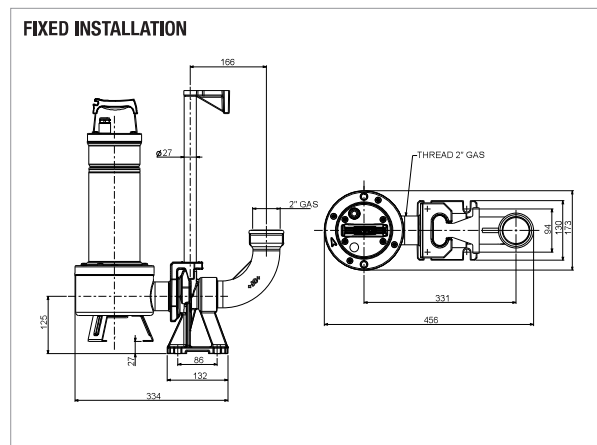
Liquid temperature range: from 0 °C to +35 °C for domestic use (EN 60335-2-41) - from 0 °C to +50 °C for the other uses.



The performance curves are based on kinematic viscosity values = 1 mm²/s and density equal to 1000 kg/m³. Curve tolerance according to ISO 9906.

MODEL	POWER INPUT 50 Hz	P1 MAX W	ELECTRICAL DATA					
			P2 NOMINAL		I _n A	I _{st.} A	CAPACITOR	
			kW	HP			μ F	Vc
FEKA VS 550 M-NA	1 x 220V-240V ~	0,92	0,55	0,75	4,2	20	20	450
FEKA VS 550 M-A	1 x 220V-240V ~	0,92	0,55	0,75	4,2	20	20	450
FEKA VS 550 T-NA	3 x 400V ~	0,90	0,55	0,75	1,64	11	-	-
FEKA VS 750 M-NA	1 x 220V-240V ~	1,11	0,75	1	5,13	20	20	450
FEKA VS 750 M-A	1 x 220V-240V ~	1,11	0,75	1	5,13	20	20	450
FEKA VS 750 T-NA	3 x 400V ~	1,02	0,75	1	1,94	11	-	-
FEKA VS 1000 M-NA	1 x 220V-240V ~	1,46	1	1,36	6,63	31	25	450
FEKA VS 1000 M-A	1 x 220V-240V ~	1,46	1	1,36	6,63	31	25	450
FEKA VS 1000 T-NA	3 x 400V ~	1,37	1	1,36	2,51	16	-	-
FEKA VS 1200 M-NA	1 x 220V-240V ~	1,93	1,2	1,6	8,63	38	30	450
FEKA VS 1200 M-A	1 x 220V-240V ~	1,93	1,2	1,6	8,63	38	30	450
FEKA VS 1200 T-NA	3 x 400V ~	1,86	1,2	1,6	3,44	22	-	-
FEKA VSL 550 M-A	1 x 220V-240V ~	0,92	0,55	0,75	4,2	20	20	450
FEKA VSL 750 M-A	1 x 220V-240V ~	1,11	0,75	1	5,13	20	20	450

MODEL	A	B	D	H	H1	Ø DNM	PACKING DIMENSIONS			VOLUME (m ³)	WEIGHT kg
							L/A	L/B	H		
FEKA VS/VSL 550	203	170	172	492	98	2" F	240	600	240	0,034	13,7
FEKA VS/VSL 750	203	170	172	492	98	2" F	240	600	240	0,034	13,8
FEKA VS/VSL 1000	203	170	172	492	98	2" F	240	600	240	0,034	15,5
FEKA VS/VSL 1200	203	170	172	492	98	2" F	240	600	240	0,034	17,1



DNA
DNA
PUMPS SELECTOR

On-line product selection



DAB PUMPS LTD.
6 Gilberd Court
Newcomen Way
Severalls Business Park
Colchester
Essex
CO4 9WN - UK
salesuk@dwtgroup.com
Tel. +44 0333 777 5010



DAB PUMPS IBERICA S.L.
Calle Verano 18-20-22
28850 - Torrejón de Ardoz - Madrid
Spain
Info.spain@dwtgroup.com
Tel. +34 91 6569545
Fax: + 34 91 6569676



DAB PUMPS SOUTH AFRICA (PTY) LTD
Twenty One Industrial Estate,
16 Purlin Street, Unit B, Warehouse 4
Olifantsfontein -1666 - South Africa
info.sa@dwtgroup.com
Tel. +27 12 361 3997



DAB PUMPS BV
'tHofveld 6 C1
1702 Groot Bijgaarden - Belgium
info.belgium@dwtgroup.com
Tel. +32 2 4668353



DAB PUMPS HUNGARY KFT.
H-8800
Nagykanizsa, Buda Ernő u.5
Hungary
Tel. +36 93501700



DAB PUMPS (QINGDAO) CO. LTD.
No.40 Kaituo Road, Qingdao Economic & Technological
Development Zone
Qingdao City, Shandong Province - China
PC: 266500
sales.cn@dwtgroup.com
Tel. +86 400 186 8280
Fax +86 53286812210



DAB PUMPS B.V.
Albert Einsteinweg, 4
5151 DL Drunen - Nederland
info.netherlands@dwtgroup.com
Tel. +31 416 387280
Fax +31 416 387299



DAB PUMPS POLAND Sp. z o.o.
Ul. Janka Muzykanta 60
02-188 Warszawa - Poland
polska@dabpumps.com.pl



DAB PUMPS DE MÉXICO, S.A. DE C.V.
Av Amsterdam 101 Local 4
Col. Hipódromo Condesa,
Del. Cuauhtémoc CP 06170
Ciudad de México
Tel. +52 55 6719 0493



DAB PUMPS GMBH
Am Nordpark 3
D - 41069 Mönchengladbach - Germany
info.germany@dwtgroup.com
Tel. +49 2161 47388-0
Fax +49 2161 47388-36



DAB PUMPS INC.
3226 Benchmark Drive
Ladson, SC 29456 - USA
info.usa@dwtgroup.com
Tel. 1-843-797-5002
Fax 1-843-797-3366



DAB PUMPS OCEANIA PTY LTD
426 South Gippsland Hwy,
Dandenong South VIC 3175 - Australia
info.oceania@dwtgroup.com
Tel. +61 1300 373 677



PT DAB PUMPS INDONESIA
Satrio Tower Iantai 26
unit C-D, Jl. Prof. Dr. Satrio Kav. C4,
Kel. Kuningan Timur, Kec. Setiabudi, Kota Adm.
Jakarta Selatan, Prov. DKI Jakarta. - Indonesia
Tel. +62 2129222850