

Receiver

From

Company
Reference
Address
Phone
Fax
E-mail

Item n° : 103040000H
Customer pos. no.:

Model :
FEKA VS 550 M - A

Pump data

Free passage : 50 mm
Pressure rating :
Min. fluid temperature : 0
Max. fluid temperature : 50 °C
Max. Ambient temperature : 40 °C

Requested data

Flow :
Head :
Fluid : Water
Fluid Temperature : 20 °C
Density : 998,3 kg/m³
Kinematic viscosity : 1,005 mm²/s
Vapor pressure : 0,00234 MPa

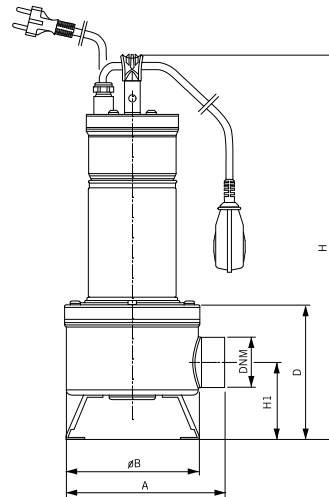
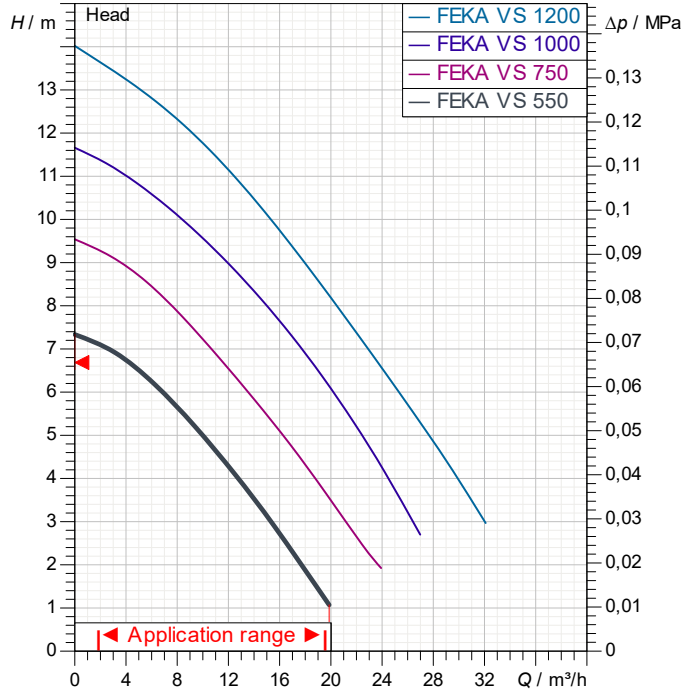
Hydraulic data (duty point)

Flow :
Head :

Materials

Pump body : Stainless Steel (AISI 304)
Impeller : Stainless Steel (AISI 304)
Motor shaft : AISI 316
Seal disk : Stainless Steel (AISI 304)
Motor casing : Stainless Steel (AISI 304)
Mechanical seal pump side : Silicon carbide/Silicon carbide
Mechanical seal motor side : Carbon/Alumina

Curve tolerance according to ISO 9906



Motor data

Motor brand : DAB
Nominal power P2 : 0,55 kW
Rated speed : 2.800 1/min
Rated voltage : 1~ 220-240 V 50 Hz
Nominal current : 4,2 A
Degree of protection : IP 68

Weight : 16,3 kg

Dimensions in mm

A	203				
B	170				
D	172				
DNM	2" F				
H	492				
H1	98				

Pump connection

Suction side : /
Discharge side : 2" GAS / --



PERFORMANCE CURVES

2025-02-18

Page 2 / 3

DAB PUMPS S.p.A.
Via Marco Polo, 14 - 35035 Mestrino (PD), Italy
Tel. +39 049 5125000 - Fax +39 049 5125950
www.dabpumps.com

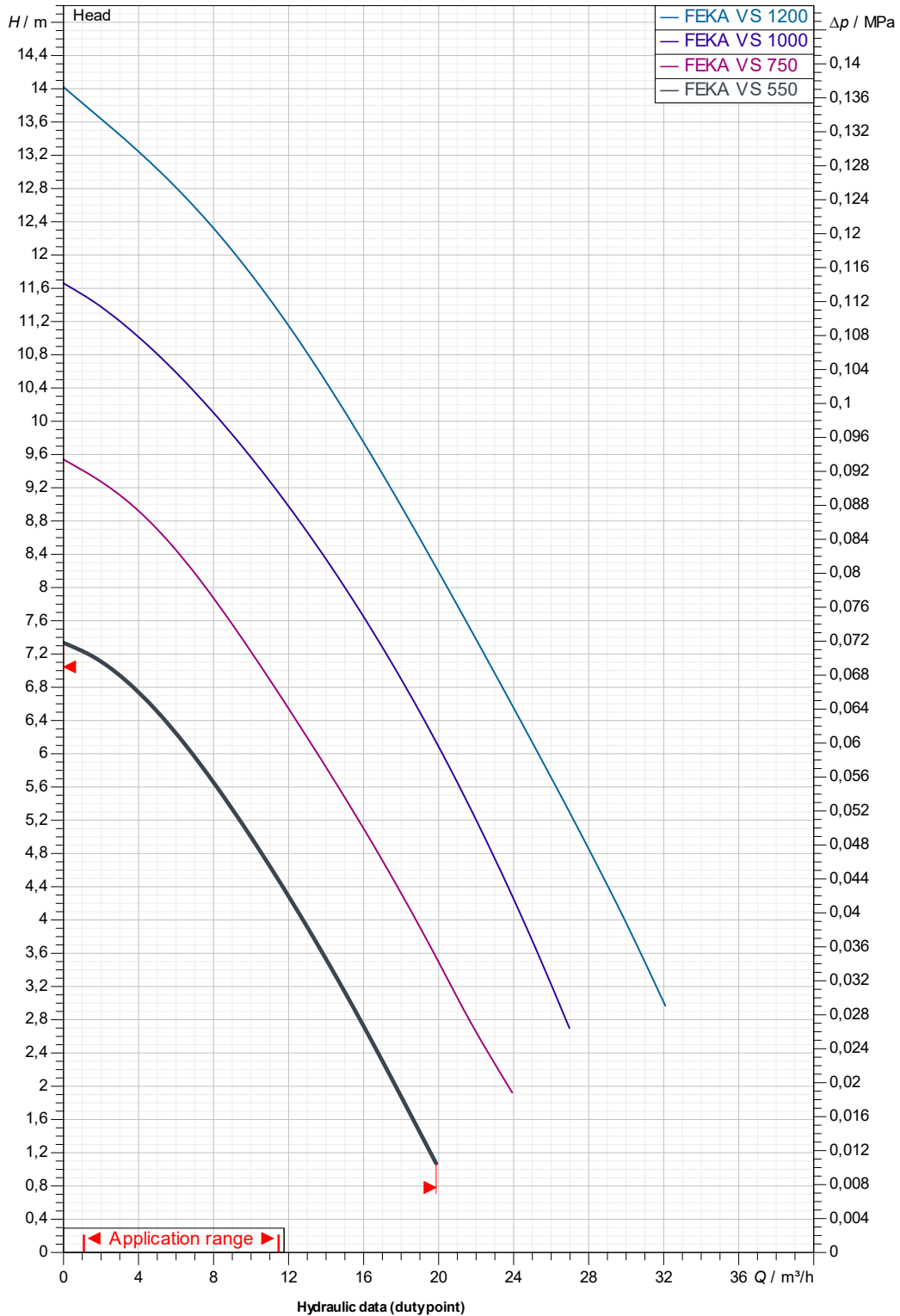
Receiver

From

Company
Reference
Address
Phone
Fax
E-mail

FEKA VS 550 M - A

Curve tolerance according to ISO 9906



Suction side :

Discharge side :
2" GAS
--

Flow :

Head :

Rated speed :
2.800 1/min

MAIN_PROJECT_TITLE

BUSINESS_PROCESS_ID

OWNER_

ISSUE_DATE

2025-02-18



DIMENSIONAL DRAWING

2025-02-18

Page 3 / 3

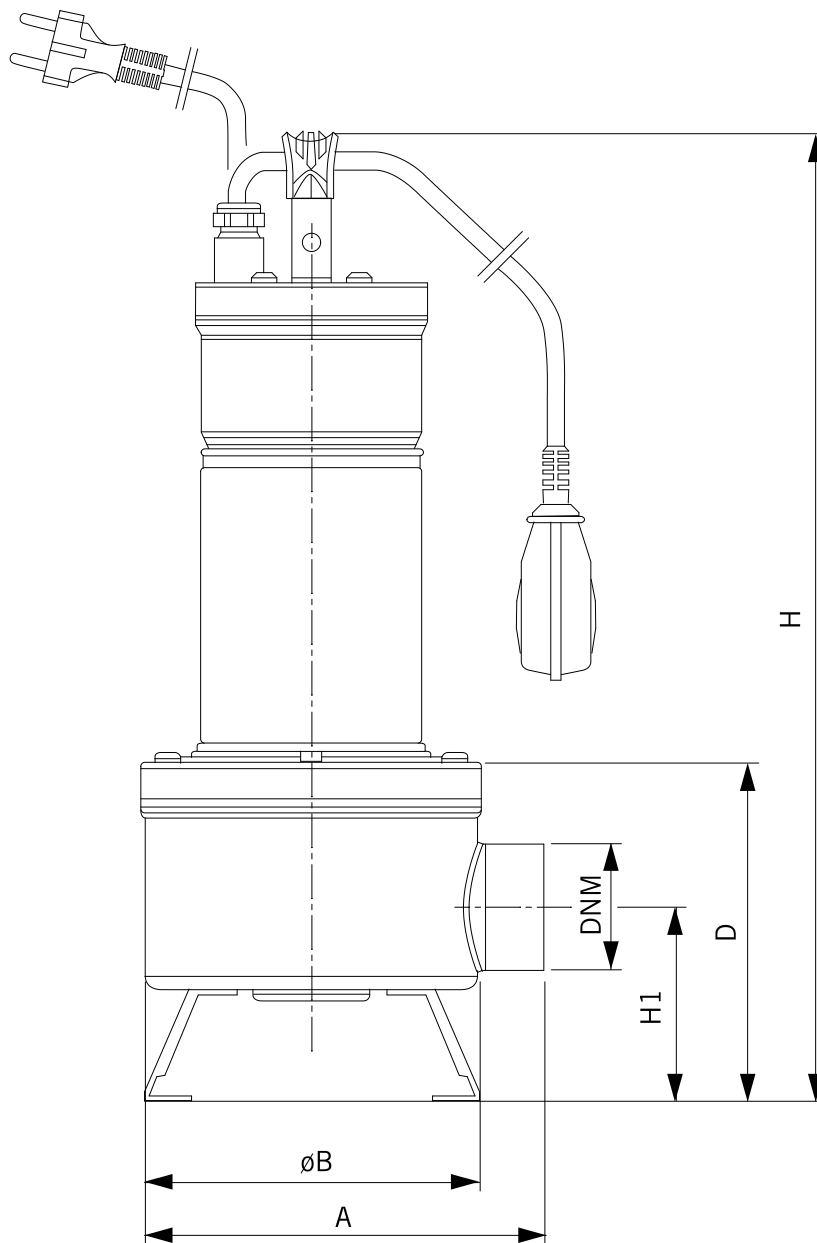
DAB PUMPS S.p.A.
Via Marco Polo, 14 - 35035 Mestrino (PD), Italy
Tel. +39 049 5125000 - Fax +39 049 5125950
www.dabpumps.com

Receiver

From

Company
Reference
Address
Phone
Fax
E-mail

FEKA VS 550 M - A



Dimensions in mm

Pump connection

1
2
3
4
5
6
7
8
9
10
11

A
B
D
DNM
H
H1

203
170
172
2" F
492
98

Suction

Discharge
2" GAS
--

MAIN_PROJECT_TITLE

BUSINESS_PROCESS_ID

OWNER_

ISSUE_DATE

2025-02-18