

Receiver
From

 Company
 Reference
 Address
 Phone
 Fax
 E-mail

Item n° :

60213280H

Customer pos. no.:
Model :

KPS 38/18 M IE2

Pump data

Impeller size :

Pressure rating : 0,6 MPa

Min. fluid temperature : -10 °C

Max. fluid temperature : 50 °C

Max. Ambient temperature : 40 °C

Requested data

Flow :

Head :

Fluid : Water

Fluid Temperature : 20 °C

 Density : 998,3 kg/m³

 Kinematic viscosity : 1,005 mm²/s

Vapor pressure : 0,00 MPa

Hydraulic data (duty point)

Flow :

Head :

Materials

Pump body Cast iron GG20/GJL200 UNI EN 1561

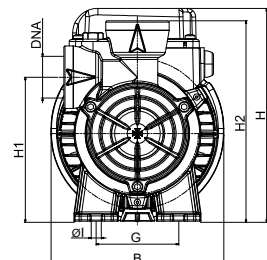
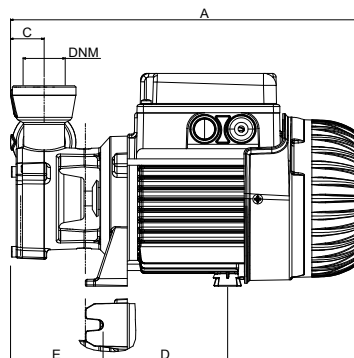
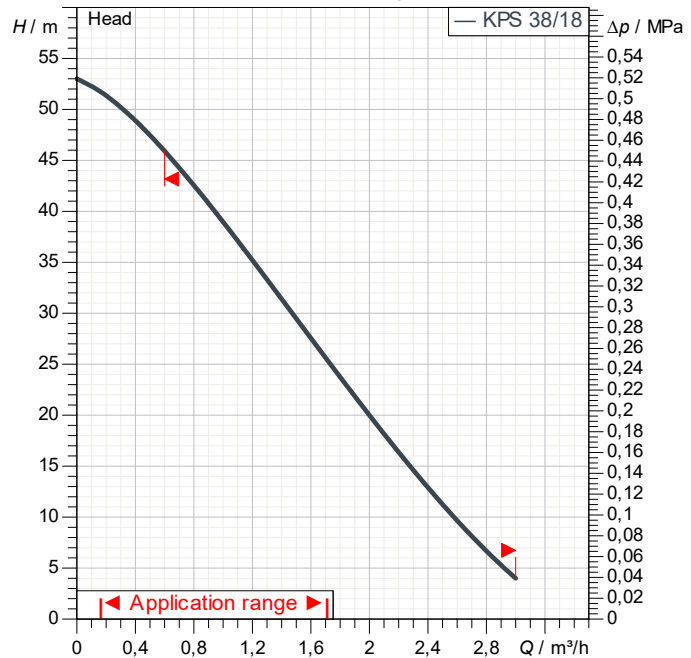
Impeller Brass P Cu Zn40 Pb2 UNI 5705/65

Motor shaft AISI 416 X12 CrS 13 UNI 6900/71

O-Ring NBR

Mechanical seal Carbon/Ceramic

Cover Brass P Cu Zn40 Pb2 UNI 5705/65

Curve tolerance according to ISO 9906

Weight : 7,5 kg

Motor data

Motor brand : DAB

Nominal power P2 : 0,55 kW

Rated speed : 2.930 1/min

Rated voltage : 1~ 230 V 50 Hz

Nominal current : 3,6 A

Degree of protection : IP 55

Dimensions in mm

A	276
B	136
C	26,5
DNA	1" G
DNM	1" G
E	73
G	65
H	170
H1	115
H2	160
I Ø	8

Pump connection

Suction side : 1" G / 0,6 MPa

Discharge side : 1" G / 0,6 MPa



WATER • TECHNOLOGY

PERFORMANCE CURVES

2025-02-04

Page 2 / 3

DAB PUMPS S.p.A.
Via Marco Polo, 14 - 35035 Mestrino (PD), Italy
Tel. +39 049 5125000 - Fax +39 049 5125950
www.dabpumps.com

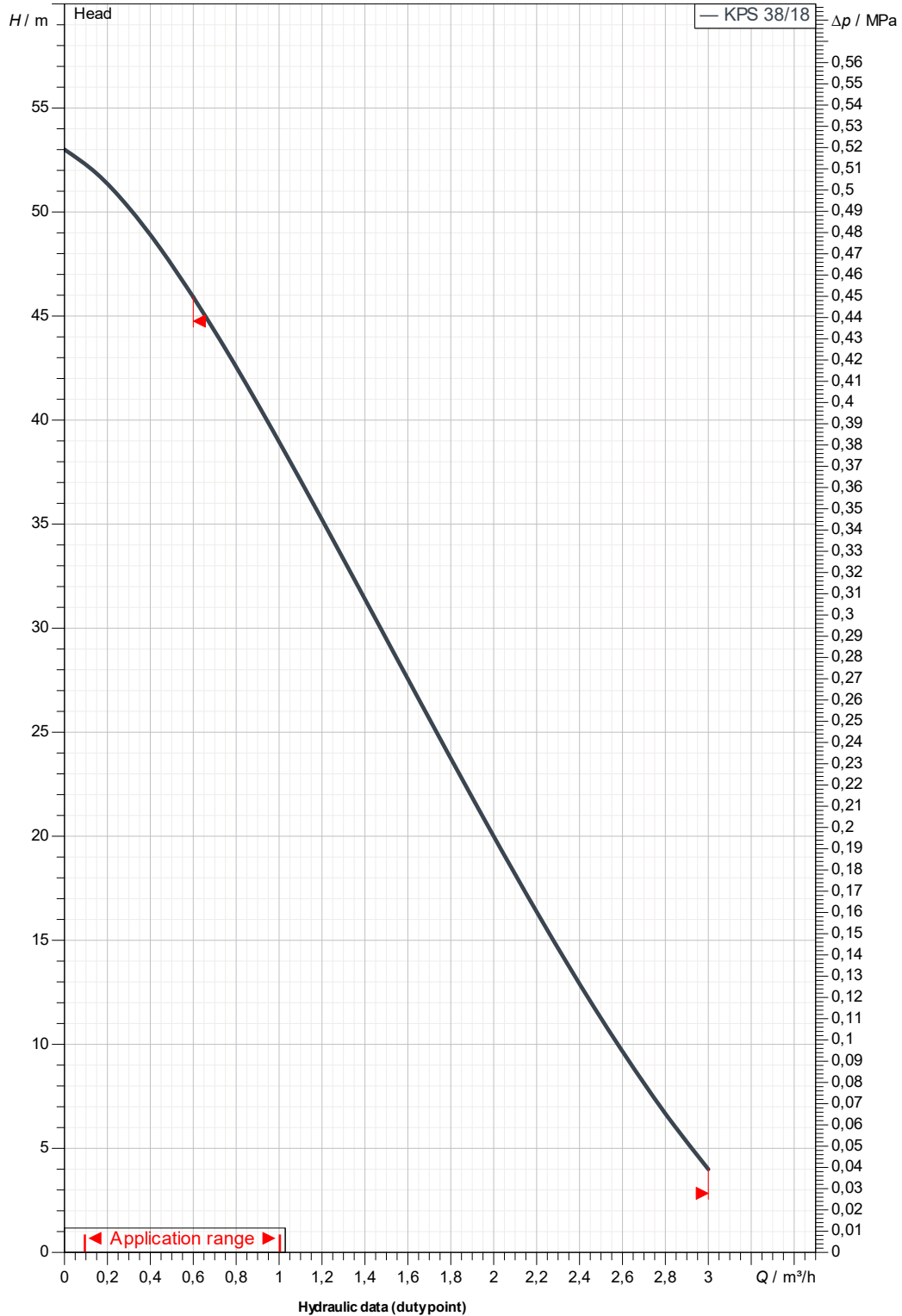
Receiver

From

Company
Reference
Address
Phone
Fax
E-mail

KPS 38/18 M IE2

Curve tolerance according to ISO 9906



Suction side :
1" G
0,6 MPa

Discharge side :
1" G
0,6 MPa

Flow :

Head :

Rated speed :
2.930 1/min

Project

Project ID

Created by

Created on

2025-02-04



DIMENSIONAL DRAWING

2025-02-04

Page 3 / 3

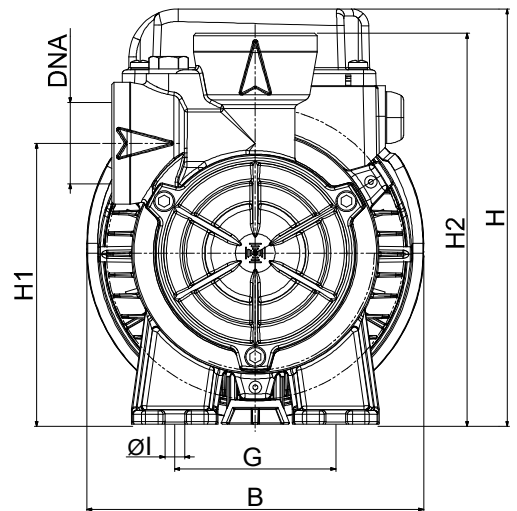
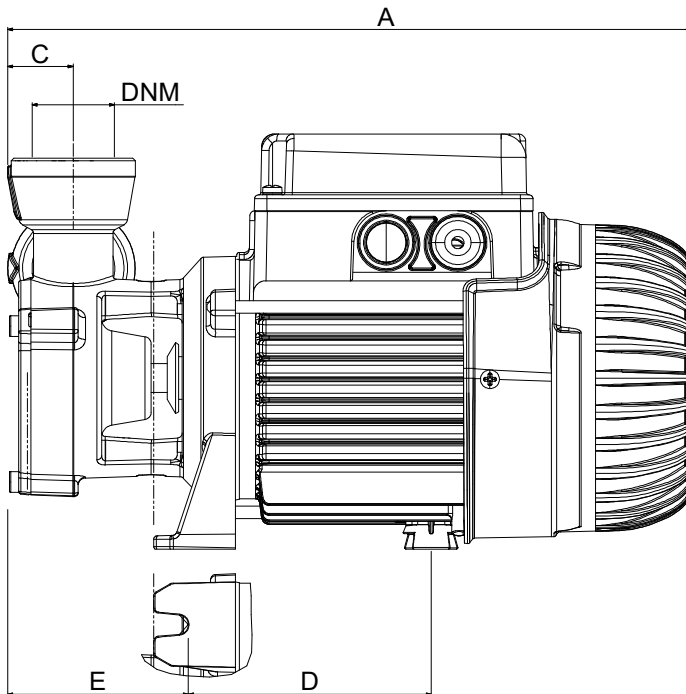
DAB PUMPS S.p.A.
Via Marco Polo, 14 - 35035 Mestrino (PD), Italy
Tel. +39 049 5125000 - Fax +39 049 5125950
www.dabpumps.com

Receiver

From

Company
Reference
Address
Phone
Fax
E-mail

KPS 38/18 M IE2



Dimensions in mm

1	A	276
2	B	136
3	C	26,5
4	DNA	1" G
5	DNM	1" G
6	E	73
7	G	65
8	H	170
9	H1	115
10	H2	160
11	lØ	8

Pump connection

Suction
1" G
0,6 MPa

Discharge
1" G
0,6 MPa

Project

Project ID

Created by

Created on

2025-02-04