

Kiekis	Aprašymas
--------	-----------

1

MAGNA3 50-180 F



Atkreipkite dėmesį! Paveikslėlyje parodytas produktas gali skirtis nuo tikrojo

Produkto Nr.: [97924286](#)

The Grundfos MAGNA3 circulator pump is the ideal choice for almost any building project – old or new. With its unrivalled energy efficiency, all-encompassing range and built-in communication capabilities, MAGNA3 is ideal for engineers and specifiers looking to create high-performance heating and cooling systems.

The pump is maintenance-free due to the canned-rotor type design. This also means that pump and motor form an integral unit without shaft seal and with only two gaskets for sealing. The bearings are lubricated by the pumped liquid.

MAGNA3 features an intuitive display and allows you to connect wirelessly with the Grundfos GO Remote app, giving you access to advanced reporting and monitoring.

MAGNA3 model E has Bluetooth, which allows you to connect directly to Grundfos Go app on your smart phone without any need for a dongle.

The pump includes fieldbus communication via CIM modules as well as analog and digital inputs and configurable relays.

Control features include AUTOADAPT and FLOWADAPT. FLOWADAPT which reduces the need for throttling valves, thus cutting costs on system components.

MAGNA3 is the superior choice for a wide range of heating and cooling applications, including:

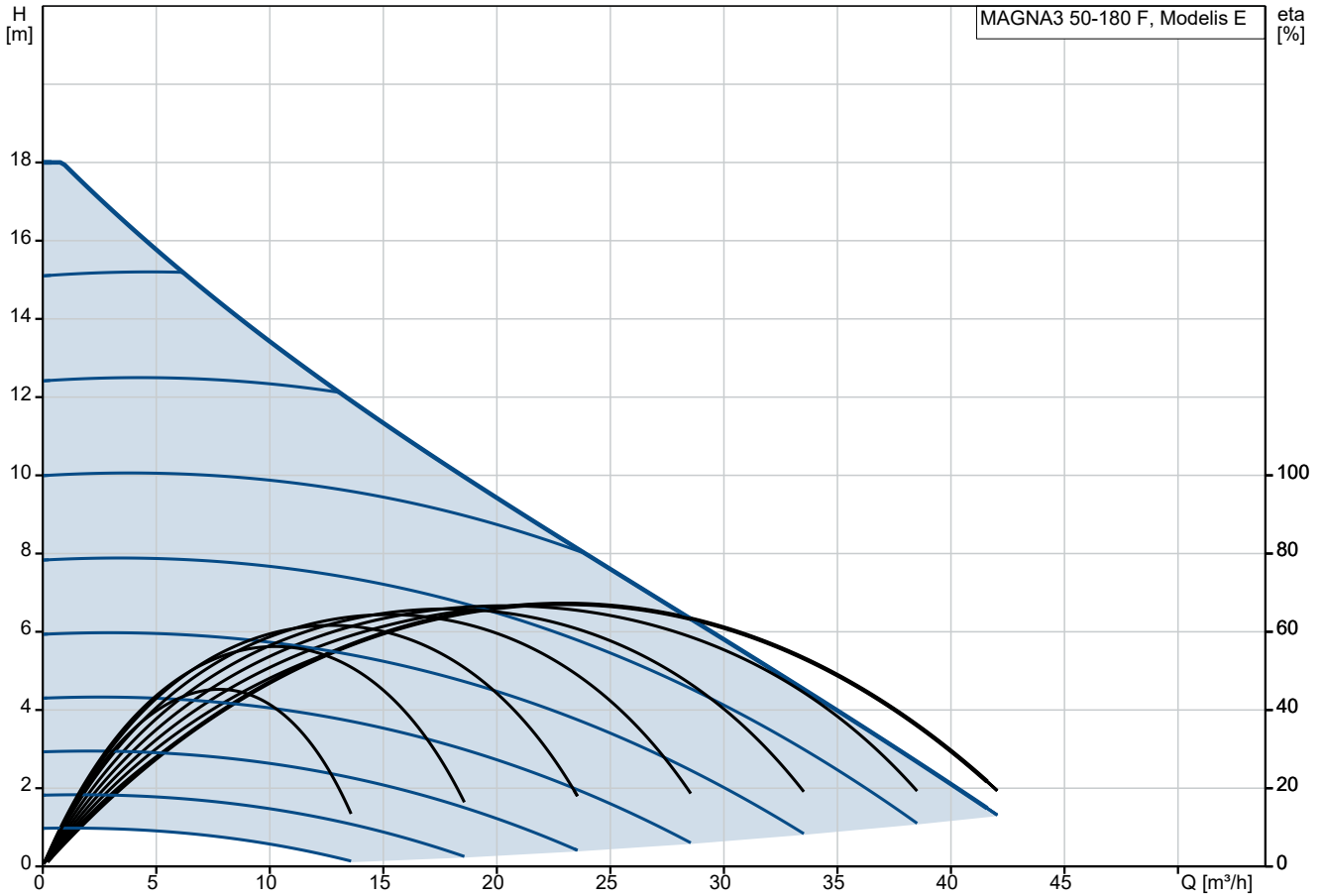
- Mixing loops
- Heating surfaces
- Air conditioning surfaces
- Ground-source heat pump systems
- Smaller chiller applications.

MAGNA3 is a single-phase pump and characterised by having the controller and control display integrated in the control box. The pump also has a built-in differential-pressure and temperature sensor.

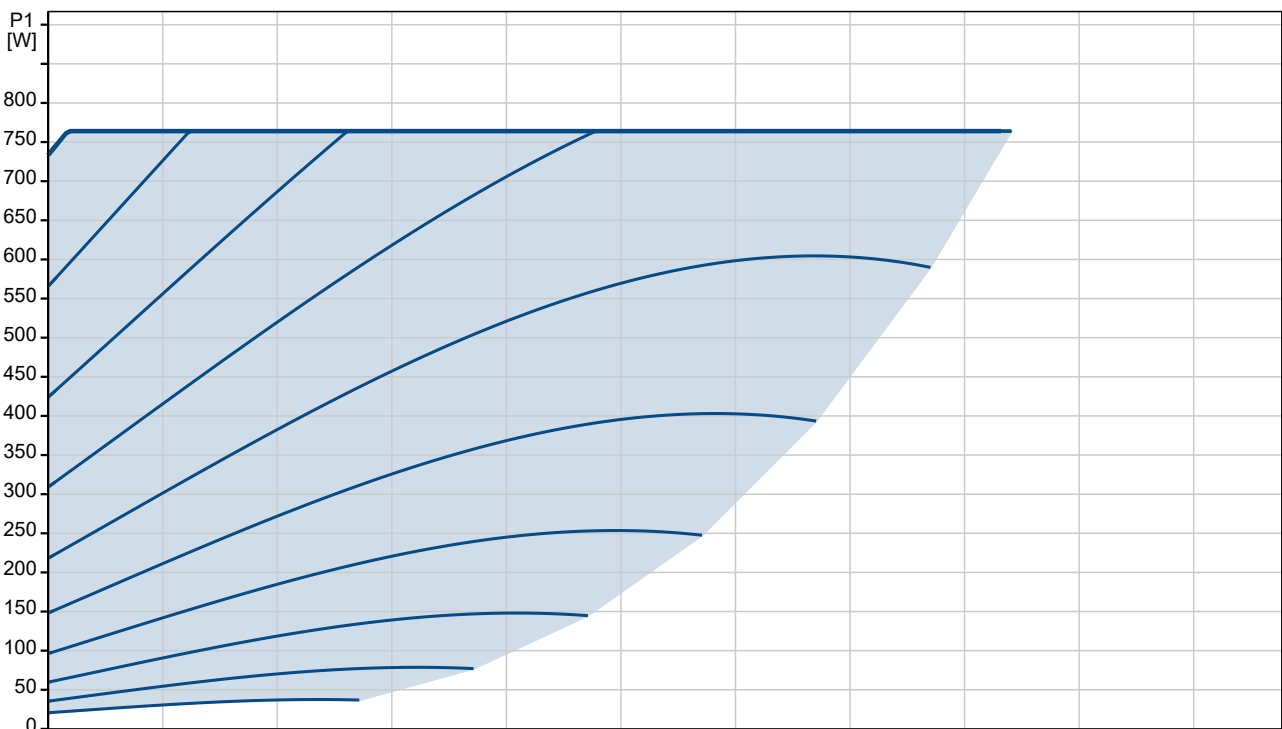
The pump housing is available in both cast-iron and stainless-steel versions. The composite rotor can be carbon-fibre reinforced, the bearing plate and rotor cladding are made of stainless steel and the stator housing is made of aluminium. The power electronics are air-cooled.

MAGNA3 incorporates a 4-pole synchronous, permanent-magnet motor (PM motor). This motor type is characterised by higher efficiency than a conventional asynchronous squirrel-cage motor. The pump speed is controlled by an integrated frequency converter.

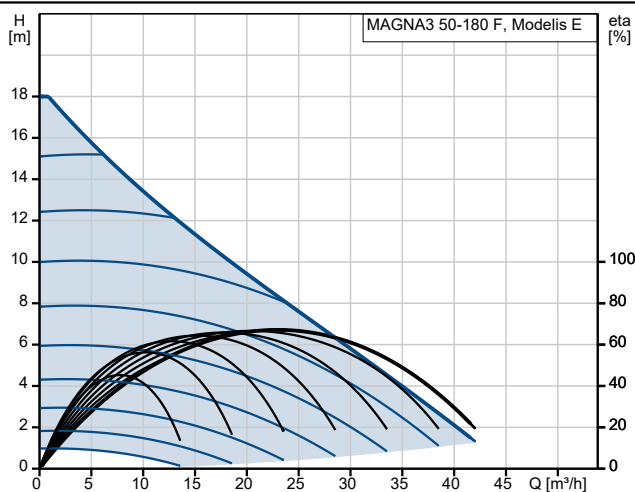
## 97924286 MAGNA3 50-180 F



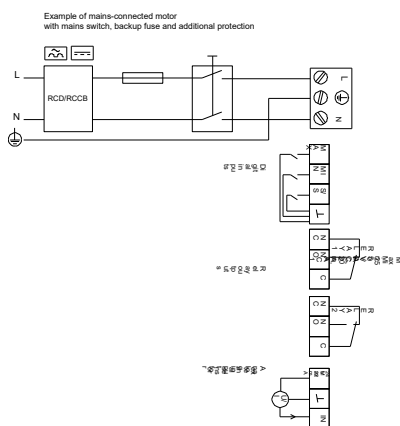
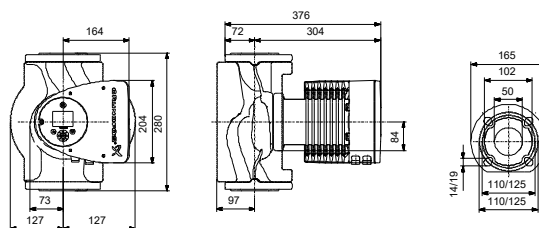
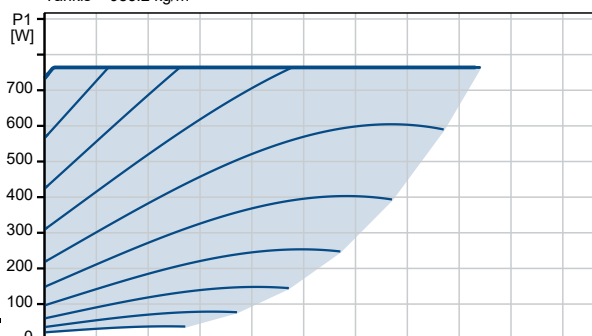
Siurbiamas skystis = Vanduo  
Skysčio temperatūra darbo metu = 60 °C  
Tankis = 983.2 kg/m³



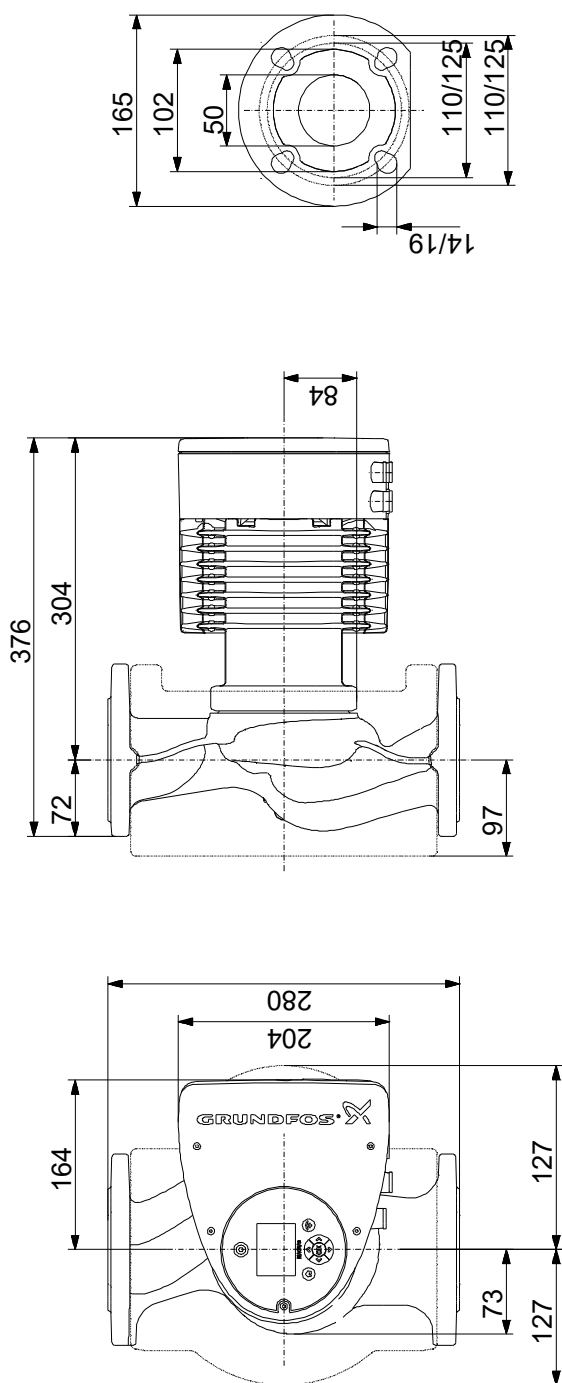
Aprašymas	Vertė
<b>Bendra informacija:</b>	
Produkto pavadinimas:	MAGNA3 50-180 F
Produkto Nr.:	97924286
EAN numeris:	5710626493616
<b>Techniniai duomenys:</b>	
Nominalus debitas:	21.88 m <sup>3</sup> /h
Nominalus slėgio aukštis:	8.733 m
Maximum head:	180 dm
TF klasė:	110
Approvals:	CE, VDE, EAC, MOROCCO, UKCA, TSE, RCM, UkrSEPRO
Modelis:	E
<b>Medžiagos:</b>	
Siurblio korpusas:	Ketus EN 1561 EN-GJL-250 ASTM A48-250B
Darbaratis:	Kompozitas
<b>Įrengimas:</b>	
Aplinkos temperatūros intervalas:	0 .. 40 °C
Maksimalus darbinis slėgis:	10 bar
Jungties tipas:	DIN
Jungties dydis:	DN 50
Vamzdžio jungties slėgio klasė:	PN 6/10
Port-to-port length:	280 mm
<b>Skystis:</b>	
Siurbiamas skystis:	Vanduo
Skysčio temperatūros diapazonas:	-10 .. 110 °C
Skysčio temperatūra eksploataavimo metu:	60 °C
Tankis:	983.2 kg/m <sup>3</sup>
<b>Elektrotechniniai duomenys:</b>	
Maksimali naudojama galia - P1:	764 W
P1 min.:	23 W
Elektros tinklo dažnis:	50 / 60 Hz
Nominali įtampa:	1 x 230 V
Minimum current consumption:	0.24 A
Didžiausias srovės suvartojimas:	3.45 A
Maks. apskukos:	5070 rpm
Korpuso klasė (IEC 34-5):	X4D
Izoliacijos klasė (IEC 85):	F
<b>Kita:</b>	
Energy (EEI):	0.18
Neto masė:	18.9 kg
Bruto masė:	20.5 kg
Tiekimo tūris:	0.046 m <sup>3</sup>
Danijos VVS Nr.:	380953518
Švedijos RSK Nr.:	5732498
Suomijos LVI Nr.:	4615157
Norvegijos NRF Nr.:	9042677
Kilmės šalis:	DE
Muitinės kodas:	84137030
Environmental approvals:	CN ROHS, WEEE



Siurbiamas skystis = Vanduo  
Skysčio temperatūra darbo metu = 60 °C  
Tankis = 983.2 kg/m<sup>3</sup>



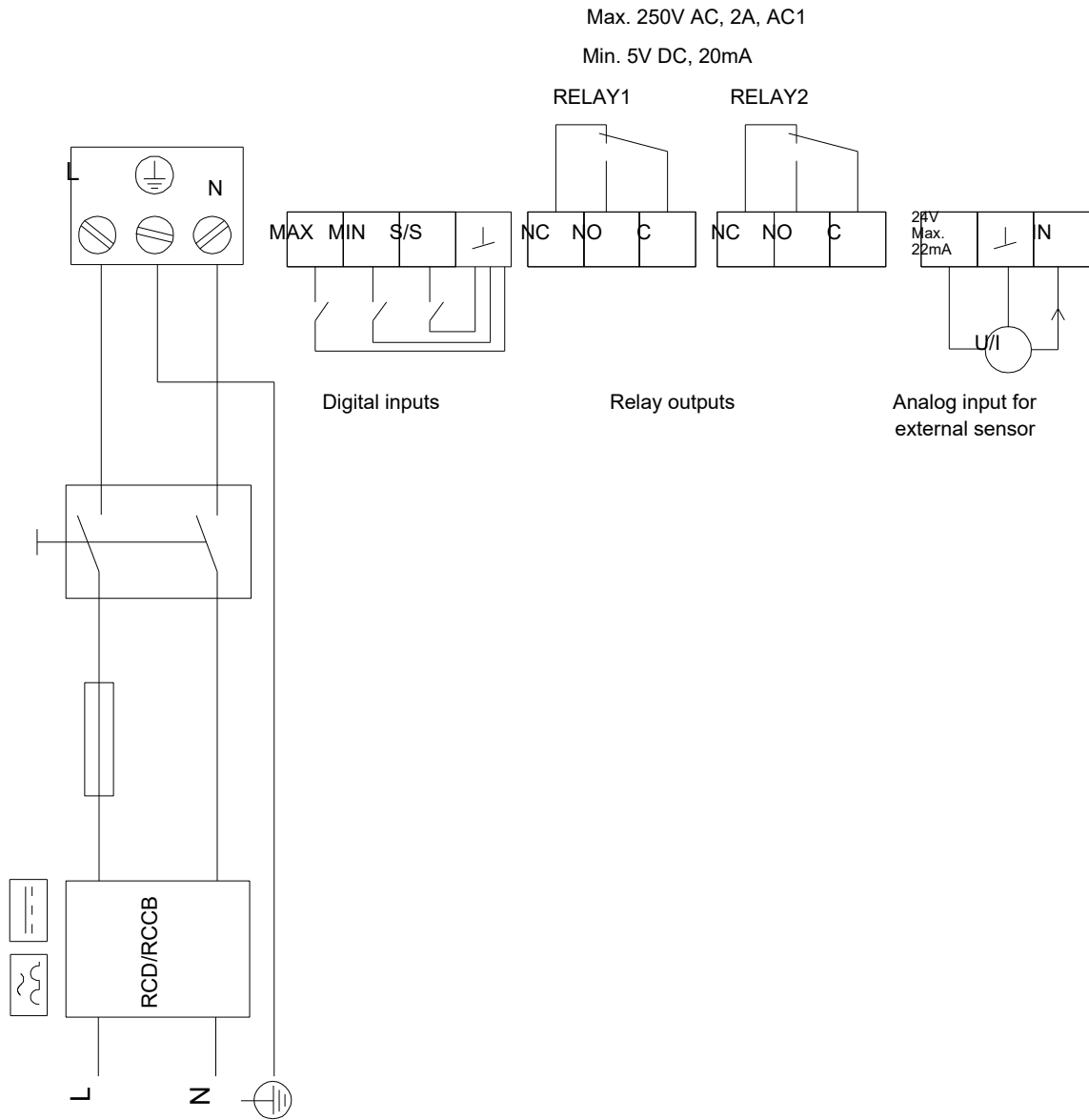
## 97924286 MAGNA3 50-180 F



Atkreipkite dėmesį! Visi matmenys, jei nenurodyta kitaip, pateikti milimetrais.  
Atsakomybės apribojimas: šiame supaprastintame matmenų brėžinyje neparodytos visos detalės.

## 97924286 MAGNA3 50-180 F

Example of mains-connected motor  
with mains switch, backup fuse and additional protection



Atkreipkite dėmesį! Visi matmenys, jei nenurodyta kitaip, pateikti milimetrais.

