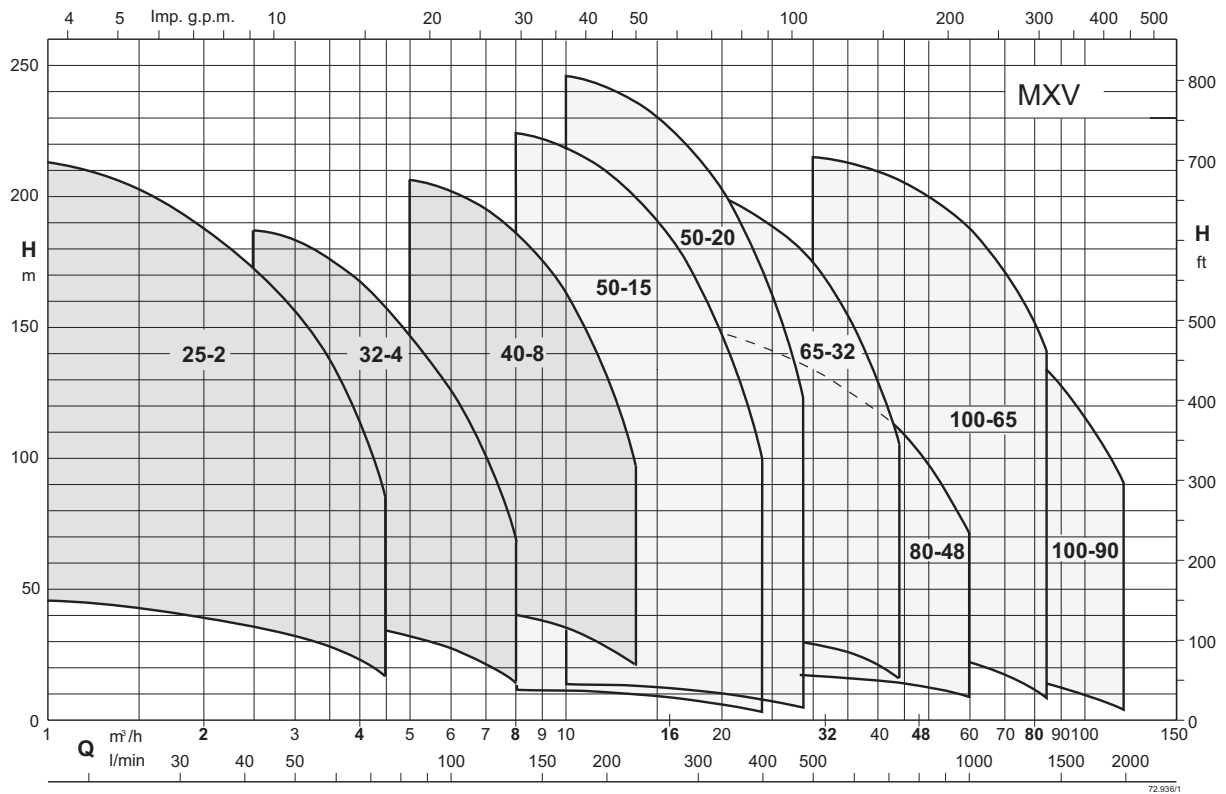




Coverage chart n ≈ 2900 rpm



Vertical multi-stage in-line pumps
stainless steel



Construction

Vertical multi-stage pumps with suction and delivery connections of the same diameter and arranged along the same axis (in-line).

Corrosion-resistant bearing sleeves lubricated by the pumped liquid.

Removal of the mechanical seal without dismantling the motor (for MXV 25-32-40-50,100 with motors exceeding 4 KW).

A pump with thrust bearing and sleeve coupling for use of any standard motor with IM V1 construction.

Version with frequency converter (on request).

Applications

For water supply systems.

For clean non-explosive liquids, without solid, filamentary or abrasive matter and non-aggressive for stainless steel (with adaptation of sealing materials on request).

A universal pump for civil and industrial use, for pressure boosting systems, high-pressure washing plants, irrigation, agricultural uses and sport installations.

Operating conditions

Temperature of liquid: from -15 °C to +110 °C.

Ambient temperature up to 40° C.

Maximum permissible pressure in pump casing: 25 bar, (16 bar for pumps with oval flanges).

Continuous duty.

Direction of rotation:

- Clockwise as seen from the motor for MXV, MXVL 25,32,40,50,100

- Anticlockwise as seen from the motor for MXV, MXVL 65,80

Designation

Example MXV L EI 25-305 O H1 *

MXV = Series

L = AISI 316L vesion (no code = AISI 304 vesion)

EI = With frequency converter I-MAT

25 = DN ports in mm

3 = Rated capacity in m3/h

05 = Number of stages

O = oval flange ports (only for MXV(L) 25,32,40,50)

H1 = with support feet for horizontal installation H, variant 1

* = with motor (or without motor) * with no further designation = with standard motor

Motor

Standard-type: 2-pole induction motor, 50 Hz (n ≈ 2900 rpm).

Motor suitable for operation with frequency converter.

Classification scheme IE3 for three-phase motors from 0,75 kW.

Construction IM V1.

Insulation class F.

IP protection: IP55

Three-phase with rated voltage: up to 3 kW 230/400 V;
from 4 kW 400/690 V.

The electropumps comply with the European Regulation no. 547/2012.

Variants (to be specified when ordering)

Pump with flanged ports.

Pump with oval flange ports (O) (for MXV 25,32,40,50).

Pump without motor.

Pump with standard motor.

Other variants (on request)

O-rings FPM.

Other mechanical seal.

Pump with motor of Client's choice (if available).

Single-phase motor 230 V, up to 2.2 kW.

Pump with support feet for horizontal installation (H1 or H2).

Other voltages.

Frequency 60 Hz.



MXV(L) 25, 32, 40, 50

MXV: Internal parts in contact with the liquid in chrome-nickel stainless steel AISI 304, with flanges, lantern bracket and base plate in cast iron.

MXVL: Internal parts in contact with the liquid in chrome-nickel stainless steel AISI 316, with flanges, lantern bracket and base plate in cast iron.

Components	Materials MXV	Materials MXVL
Flange (wetted part)	Chrome-nickel steel 1.4301 EN 10088 (AISI 304)	Stainless Steel 1.4404 EN 10088 (AISI 316L)
External jacket	Chrome-nickel steel 1.4301 EN 10088 (AISI 304)	Stainless Steel 1.4404 EN 10088 (AISI 316L)
Suction casing	Chrome-nickel steel 1.4301 EN 10088 (AISI 304)	Stainless Steel 1.4404 EN 10088 (AISI 316L)
Delivery casing	Chrome-nickel steel 1.4301 EN 10088 (AISI 304)	Stainless Steel 1.4404 EN 10088 (AISI 316L)
Stage casing	Chrome-nickel steel 1.4301 EN 10088 (AISI 304)	Stainless Steel 1.4404 EN 10088 (AISI 316L)
Impeller	Chrome-nickel steel 1.4301 EN 10088 (AISI 304)	Stainless Steel 1.4404 EN 10088 (AISI 316L)
Lower cover	Chrome-nickel steel 1.4301 EN 10088 (AISI 304)	Stainless Steel 1.4404 EN 10088 (AISI 316L)
Upper cover	Chrome-nickel steel 1.4301 EN 10088 (AISI 304)	Stainless Steel 1.4404 EN 10088 (AISI 316L)
Spacer sleeve	Chrome-nickel steel 1.4301 EN 10088 (AISI 304)	Stainless Steel 1.4404 EN 10088 (AISI 316L)
Shaft	Chrome-nickel steel 1.4301 EN 10088 (AISI 304)	Stainless Steel 1.4404 EN 10088 (AISI 316L)
Plug	Chrome-nickel steel 1.4301 EN 10088 (AISI 304)	Stainless Steel 1.4404 EN 10088 (AISI 316L)
Bearing bushing / Bearing in stage body	Corrosion-resistant carbide / Ceramic	Corrosion-resistant carbide / Ceramic
Mechanical seal ISO 3069 - KU	Hard metal/Carbon/EPDM	Hard metal/Carbon/EPDM
Wear ring	PPS	PPS
O-ring	EPDM	EPDM
Oval Counterflanges	Stainless Steel AISI 304 (galvanized steel for MXV 50 O)	Stainless Steel 1.4404 EN 10088 (AISI 316L)
Counterflanges (on request)	Stainless Steel AISI 304 (Steel Fe 430B for MXV 50)	Stainless Steel 1.4404 EN 10088 (AISI 316L)

MXV(L) 65, 80, 100

MXV: Internal parts in contact with the liquid in chrome-nickel stainless steel AISI 304 with pump casing and upper cover in cast iron.

MXVL: Internal parts in contact with the liquid with pump casing and upper cover in chrome-nickel-molybdenum stainless steel AISI 316L.

Components	Materials MXV	Materials MXVL
Pump casing	Cast iron GJL 250 EN 1561	Stainless Steel 1.4404 EN 10088 (AISI 316L)
Upper cover	Cast iron GJL 250 EN 1561	Stainless Steel 1.4404 EN 10088 (AISI 316L)
External jacket	Chrome-nickel steel 1.4301 EN 10088 (AISI 304)	Stainless Steel 1.4404 EN 10088 (AISI 316L)
Stage casing	Chrome-nickel steel 1.4301 EN 10088 (AISI 304)	Stainless Steel 1.4404 EN 10088 (AISI 316L)
Impeller	Chrome-nickel steel 1.4301 EN 10088 (AISI 304)	Stainless Steel 1.4404 EN 10088 (AISI 316L)
Spacer sleeve	Chrome-nickel steel 1.4301 EN 10088 (AISI 304)	Stainless Steel 1.4404 EN 10088 (AISI 316L)
Shaft	Stainless Steel 1.4305 EN 10088 (AISI 303), (AISI 431 for MXV 100)	Stainless Steel 1.4404 EN 10088 (AISI 316L), (AISI 329 for MXVL 100)
Plug	Stainless Steel 1.4404 EN 10088 (AISI 316L), (AISI 304 for MXVL 100)	Stainless Steel 1.4404 EN 10088 (AISI 316L)
Bearing sleeve	Corrosion-resistant, cemented carbide	Corrosion-resistant, cemented carbide
Bearing in stage casing	Ceramic alumina (Corrosion-resistant, cemented carbide for MXV 100)	Ceramic alumina (Corrosion-resistant, cemented carbide for MXV 100)
Mechanical seal ISO 3069 - KU	Hard metal/Carbon/EPDM	Hard metal/Carbon/EPDM
Wear ring	PTFE	PTFE
O-ring	EPDM	EPDM
Counterflanges (on request)	Steel 1.0044 EN 10025-2 (Fe 430B)	on request

EI: Pumps with frequency converter

The MXV EI pumps are available with power from 0,75 kW up to 22 kW, the pumps are equipped with I-MAT installed on board. Which allows to realize a variable-speed system extremely compact and efficient, ideal in applications of water supply and in the distribution of hot and cold water. The pump is equipped with transducers suitable for operation and is already programmed at the factory.

Features

- Energy saving
- Compact design
- Easy to use
- Programmable to suit the system requirements
- Reliability

Construction

- The system consists of:
- Pump
- Induction motor
- I-MAT Frequency converter
- Motor adapter for the motor mounting of the frequency converter
- Connection cable between frequency converter and induction motor
- Transducers

Main features

- Rated motor power output from 0,75 kW to 22 kW
- Control range from 1750 to 2900 rpm (2-pole)
- Protection against dry running
- Protection against operations with closed valve ports
- Protection against system leakages
- Protection against overcurrent in the motor
- Protection against overvoltage and undervoltage of the power supply
- Protection against current unbalances between phases



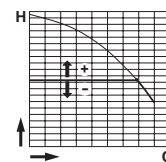
Operating modes



Constant pressure mode

with pressure transducer

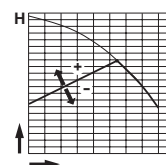
In this mode, the system maintains the preset pressure when the flow required by the installation changes.



Proportional pressure mode

with pressure transducer

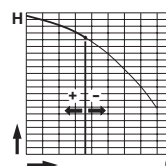
In this mode the system changes the working pressure according to the required flow rate.



Constant flow mode

with flow meter

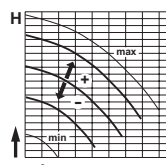
In this mode the system maintains a constant flow rate value in a point of the installation according to the required pressure.



Fixed speed mode

with setting of the speed preferential rotation.

In this mode, by changing the working frequency, you may choose any operational curve included within the working range.



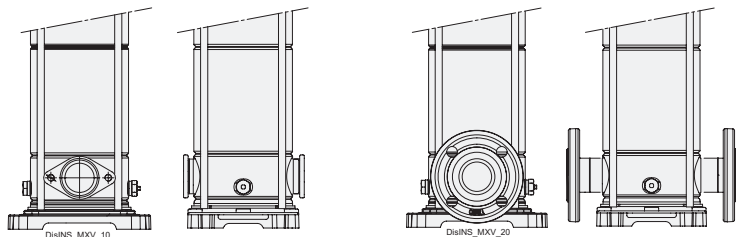
Constant temperature mode

with temperature transducer

In this mode the system keeps the temperature constant inside a system by changing the speed of the pump.



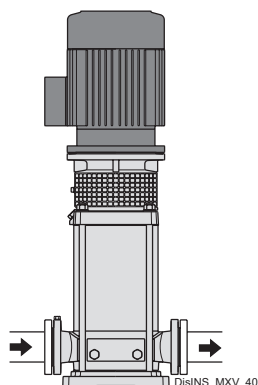
Variants



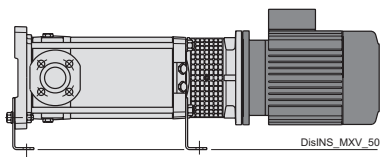
Oval flange only for MXV 25,32,40,50.

Counterflanges

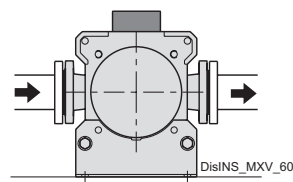
Installation



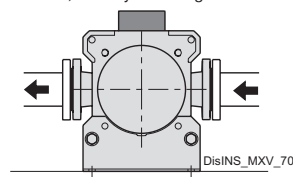
Vertical installation (Standard).



Horizontal installation.



Variant H1: suction on the left, delivery on the right.



Variant H2: suction on the right, delivery on the left.

Variable parts

Pump size MXV			Number of stages	Stage casings with bearing
25 - 304	32 - 504	40 - 904	4	1
25 - 305	32 - 505	40 - 905	5	1
25 - 306	32 - 506	40 - 906	6	1
25 - 307	32 - 507	40 - 907	7	1
25 - 308	32 - 508	40 - 908	8	1
25 - 310	32 - 510	40 - 910	10	1
		40 - 911	11	2
25 - 312	32 - 512		12	2
		40 - 913	13	2
25 - 314	32 - 514		14	2
		40 - 915	15	2
25 - 316	32 - 516		16	2
25 - 318	32 - 518		18	2
		40 - 917	17	3
		40 - 919	19	3
25 - 320			20	3

Pump size MXV				Number of stages	Stage casings with bearing
50 - 1501	50 - 2001		80 - 4801	1	1
50 - 1502	50 - 2002	65 - 3202	80 - 4802	2	1
50 - 1503	50 - 2003	65 - 3203	80 - 4803	3	1
50 - 1504	50 - 2004	65 - 3204	80 - 4804	4	1
50 - 1505	50 - 2005	65 - 3205	80 - 4805	5	1
50 - 1506	50 - 2006	65 - 3206		6	1
50 - 1507	50 - 2007	65 - 3207		7	1
50 - 1508	50 - 2008			8	1
			80 - 4806	6	2
			80 - 4807	7	2
		65 - 3208	80 - 4808	8	2
50 - 1509	50 - 2009	65 - 3209		9	2
50 - 1510	50 - 2010	65 - 3210		10	2
50 - 1511	50 - 2011			11	2
50 - 1512	50 - 2012	65 - 3212		12	2
50 - 1513	50 - 2013			13	2
50 - 1514	50 - 2014			14	3
50 - 1515	50 - 2015			15	3
50 - 1516	50 - 2016			16	3
50 - 1517	50 - 2017			17	3



Coverage chart n ≈ 2900 rpm

Three-phase

				Q = Flow									
				m³/h	0	1	1,5	2	2,5	3	3,5	4	4,5
Model	P2		l/min			16,6	25	33,3	41,6	50	58,3	66,6	75
				H (m) = Total head									
		kW	HP		44	42,5	40	37,5	34,5	31	27	22,5	17
MXVL	MXV 25-304	0,75	1		56	53	50	47	43	39	34	28	21
MXVL	MXV 25-305	0,75	1		68	63,5	60,5	56	51,5	46,5	40,5	34	25
MXVL	MXV 25-306	1,1	1,5		79,5	74	70,5	65,5	60	54,5	47,5	39,5	30
MXVL	MXV 25-307	1,1	1,5		91	85	80,5	75	69	62	54	45,5	34
MXVL	MXV 25-308	1,5	2		114	106	101	94	86	78	68	57	42
MXVL	MXV 25-310	1,5	2		136	127	121	112	103	93,5	81,5	68	51
MXVL	MXV 25-312	2,2	3		159	149	141	131	121	109	95	79,5	59
MXVL	MXV 25-314	2,2	3		182	170	161	150	138	124	108	91	68
MXVL	MXV 25-316	3	4		205	191	181	169	155	140	122	102	76
MXVL	MXV 25-318	3	4		228	213	202	188	173	156	136	114	85

Three-phase

				Q = Flow										
				m³/h	0	2,5	3	3,5	4	4,5	5	6	7	8
Model	P2		l/min			41,6	50	58,3	66,6	75	83,3	100	117	133
				H (m) = Total head										
		kW	HP		45	41,5	40	38,5	36,5	34,5	32,5	27,5	22	14,5
MXVL	MXV 32-504	1,1	1,5		56	51,5	50	48	46	43,5	41	34,5	27,5	18,5
MXVL	MXV 32-505	1,1	1,5		68	62	60	58	55,5	52,5	49,5	42	33,5	22,5
MXVL	MXV 32-506	1,5	2		79,5	72,5	70,5	68	65	61,5	58	49	39	26,5
MXVL	MXV 32-507	1,5	2		91	83	80,5	78	74	70	66	56	44,5	30
MXVL	MXV 32-508	2,2	3		114	104	101	97,5	93	88	83	70	56	38
MXVL	MXV 32-510	2,2	3		136	124	121	117	111	105	99,5	84	67	45,5
MXVL	MXV 32-512	3	4		159	145	141	136	130	123	116	98	78	53
MXVL	MXV 32-514	3	4		182	166	161	156	148	140	132	112	89,5	60,5
MXVL	MXV 32-516	4	5,5		205	187	181	175	167	158	149	126	100	68

Three-phase

				Q = Flow										
				m³/h	0	5	6	7	8	9	10	11	12	13
Model	P2		l/min			83,3	100	117	133	150	167	183	200	217
				H (m) = Total head										
		kW	HP		47	43	42	41	40	37	34	30	26	21
MXVL	MXV 40-904	1,5	2		59	54	53	51	50	47	43	38	32	26
MXVL	MXV 40-905	2,2	3		71	65	63	62	59	56	51	45	39	31
MXVL	MXV 40-906	2,2	3		83	76	74	72	69	66	60	53	45	36
MXVL	MXV 40-907	3	4		95	87	85	82	79	75	69	60	51	42
MXVL	MXV 40-908	3	4		119	109	106	103	99	94	86	75	64	52
MXVL	MXV 40-910	4	5,5		131	119	116	113	109	103	94	83	71	57
MXVL	MXV 40-911	4	5,5		155	141	138	134	129	122	111	98	84	68
MXVL	MXV 40-913	5,5	7,5		179	163	159	154	149	141	128	113	96	78
MXVL	MXV 40-915	5,5	7,5		202	184	180	175	168	159	145	128	109	89
MXVL	MXV 40-917	7,5	10		226	206	201	195	188	178	162	143	122	99


Coverage chart n ≈ 2900 rpm
Data also valid for MXVL (1.4401 EN 10088 (AISI 316))
Three-phase

				Q = Flow											
				m ³ /h	0	8	10	12	14	16	18	20	22	24	26
Model		P2		l/min	133	167	200	233	267	300	333	367	400	433	466
		kW	HP	H (m) = Total head											
MXVL	MXV 50-1501	1,1	1,5	14	12	11,6	11	10,3	9,5	8,4	7	5,5	3,6	-	-
MXVL	MXV 50-1502	1,5	2	27,9	24,6	23,8	22,7	21,4	19,8	17,8	15,4	12,7	9,5	-	-
MXVL	MXV 50-1503/A	2,2	3	43,6	38,6	37,3	35,8	33,9	31,5	28,6	25,1	21	16,3	-	-
MXVL	MXV 50-1504	3	4	58	52	50,5	48,5	46	43	39,5	35	30	24	-	-
MXVL	MXV 50-1505	4	5,5	72,5	65	63	60,5	57,5	54	49,5	44	37,5	30	-	-
MXVL	MXV 50-1506	5,5	7,5	85	78	75,5	72	68	63	57,5	50,5	42,5	33,5	-	-
MXVL	MXV 50-1507	5,5	7,5	99	91,5	88	84	79,5	73,5	67	59	49,5	39	-	-
MXVL	MXV 50-1508/A	5,5	7,5	115	105	101	97	92	86	78	69	58	45	-	-
MXVL	MXV 50-1509	7,5	10	129	118	114	110	104	97	88	77	65	51	-	-
MXVL	MXV 50-1510	7,5	10	141	130	126	121	114	105	95	83	69	54	-	-
MXVL	MXV 50-1511	9,2	12,5	155	143	138	133	125	116	105	91	76	59	-	-
MXVL	MXV 50-1512	9,2	12,5	173	159	155	149	141	132	121	107	91	72	-	-
MXVL	MXV 50-1513	11	15	188	173	167	161	153	143	131	116	98	78	-	-
MXVL	MXV 50-1514	11	15	202	186	180	173	165	154	141	125	106	84	-	-
MXVL	MXV 50-1515	11	15	217	199	193	186	177	165	151	134	113	90	-	-
MXVL	MXV 50-1516	15	20	230	211	204	196	186	174	159	140	119	94	-	-
MXVL	MXV 50-1517	15	20	245	224	217	209	198	185	169	149	126	100	-	-
MXVL	MXV 50-2001	1,1	1,5	15,5	-	13	12,6	12,1	11,5	10,7	9,8	8,7	7,3	5,8	4
MXVL	MXV 50-2002	2,2	3	30,7	-	27	26,3	25,5	24,5	23,3	21,7	19,8	17,5	14,7	11,7
MXVL	MXV 50-2003	3	4	46,5	-	41,4	40,4	39,1	37,5	35,4	32,9	30	26,5	22,5	18
MXVL	MXV 50-2004	4	5,5	62,5	-	56	54,5	53	51	48,5	45,5	42	37,5	32	26
MXVL	MXV 50-2005	5,5	7,5	78	-	70	68	66	64	61	57	52,5	46,5	40	32,5
MXVL	MXV 50-2006	7,5	10	92	-	84	82	79,5	76,5	73	68,5	62,5	55,5	47	37,5
MXVL	MXV 50-2007	7,5	10	107	-	98	95,5	93	89,5	85	80	73	64,5	55	44
MXVL	MXV 50-2008	9,2	12,5	122	-	112	109	106	102	97	91	83	74	63	50
MXVL	MXV 50-2009	9,2	12,5	142	-	130	127	124	120	114	108	100	89	77	63
MXVL	MXV 50-2010	11	15	158	-	144	141	137	133	127	120	111	99	86	71
MXVL	MXV 50-2011	11	15	173	-	159	155	151	146	140	132	122	109	94	78
MXVL	MXV 50-2012	15	20	188	-	172	168	164	158	151	143	132	118	103	84
MXVL	MXV 50-2013	15	20	204	-	186	182	177	171	164	154	143	128	111	91
MXVL	MXV 50-2014	15	20	219	-	201	196	191	185	177	166	154	138	120	99
MXVL	MXV 50-2015	15	20	235	-	215	210	205	198	189	178	165	148	128	106
MXVL	MXV 50-2016	18,5	25	251	-	232	227	221	214	205	193	179	161	140	116
MXVL	MXV 50-2017	18,5	25	267	-	246	241	235	227	217	205	190	172	149	124

Three-phase

				Q = Flow									
				m ³ /h	0	15	21	24	27	30	33	36	39
Model		P2		l/min	250	350	400	450	500	550	600	650	733
		kW	HP	H (m) = Total head									
MXVL	MXV 65-3202/D	4	5,5	37	34	32	31	30	29	27	24,5	22	17
MXVL	MXV 65-3203/C	5,5	7,5	55,5	51	49	47,5	46	43,5	40,5	37	33,5	25,5
MXVL	MXV 65-3204/C	7,5	10	75	69	65,5	63,5	61	58,5	54,5	50	45	35
MXVL	MXV 65-3205/D	11	15	93,5	86	82	79,5	77	73	68	62,5	56,5	44
MXVL	MXV 65-3206/D	11	15	112	103	98,5	95,5	92	87	82	75	67,5	52,5
MXVL	MXV 65-3207/D	15	20	131	121	115	111	107	102	95,5	87,5	79	61,5
MXVL	MXV 65-3208/D	15	20	150	138	131	127	123	116	109	100	90	70
MXVL	MXV 65-3209/E	18,5	25	168	155	148	143	138	130	122	112	101	79
MXVL	MXV 65-3210/E	18,5	25	187	172	164	159	154	145	136	125	112	87,5
MXVL	MXV 65-3212/D	22	30	225	207	197	191	185	174	163	150	135	105


Coverage chart n ≈ 2900 rpm
Data also valid for MXVL (1.4401 EN 10088 (AISI 316))
Three-phase

				Q = Flow									
				m³/h	0	21	27	33	39	45	48	51	54
Model	P2		l/min	350		450	550	650	750	800	850	900	1000
		kW	HP	H (m) = Total head									
MXVL	MXV 80-4801/D	4	5,5	20	18	17	16	15	13	12	10,7	9,5	7
MXVL	MXV 80-4802/C	5,5	7,5	40,5	36	34,5	32,5	29,5	26,5	24,5	22	20	15,5
MXVL	MXV 80-4803/C	7,5	10	61	54	51	48	44	40	37	34	31	24,5
MXVL	MXV 80-4804/D	11	15	81	72	69	65	60	55	51,5	48	44	35
MXVL	MXV 80-4805/D	15	20	101	90	86	81	75	68,5	64,5	60	55	44
MXVL	MXV 80-4806/D	15	20	121	108	103	97	90	82	77,5	72	66	53
MXVL	MXV 80-4807/E	18,5	25	142	126	120	113	105	96	90	84	77	61,5
MXVL	MXV 80-4808/D	22	30	162	144	137	129	120	109	103	96	88	70,5

Three-phase

				Q = Flow								
				m³/h	0	30	40	45	50	60	70	80
Model	P2		l/min	500		667	750	833	1000	1167	1333	1466
		kW	HP	H (m) = Total head								
MXVL	MXV 100-6501/A	5,5	7,5	30,2	24,8	23	22,3	21,7	20,3	18,3	15,4	12,2
MXVL	MXV 100-6502-2R/A	7,5	10	38,9	37,2	35,8	34,8	33,8	30,5	25,8	20,3	14,6
MXVL	MXV 100-6502/A	11	15	59,3	51,2	48	46,8	45,5	43,2	39,9	35,3	30,8
MXVL	MXV 100-6503-2R/A	15	20	67,3	63	60,6	59,1	57,6	53,4	47,2	39,5	31,4
MXVL	MXV 100-6503/B	18,5	25	89,6	77,6	72,8	70,9	69	65,7	60,7	53,9	47,2
MXVL	MXV 100-6504-2R/B	18,5	25	95,5	88,6	85,1	83,2	81,1	76	68,3	58,5	47,9
MXVL	MXV 100-6504/A	22	30	111,8	100,8	96,7	94,5	92,4	88,4	82,3	73,3	62,9
MXVL	MXV 100-6505-2R/A	30	40	125,3	116,2	111,8	109,5	107	101,1	92,1	80,4	68
MXVL	MXV 100-6505/A	30	40	142,4	129,2	124	121,5	119	114,1	106,9	96,3	84,6
MXVL	MXV 100-6506-2R/A	30	40	153,5	141,6	136,2	133,3	130,3	123,4	112,9	99	84,1
MXVL	MXV 100-6506/A	37	50	170,6	154,7	148,5	145,4	142,3	136,5	127,8	115	100,9
MXVL	MXV 100-6507-2R/A	37	50	181,7	167	160,6	157,2	153,6	145,7	133,7	117,7	100,3
MXVL	MXV 100-6507/A	45	60	199,5	181,1	173,8	170,3	166,7	160	149,9	135,1	118,9
MXVL	MXV 100-6508-2R/A	45	60	210,6	193,5	186	182,2	178,1	169,3	156	137,9	118,4
MXVL	MXV 100-6508/A	45	60	227,7	206,5	198,2	194,1	190,1	182,3	170,7	153,8	135,1

Three-phase

				Q = Flow									
				m³/h	0	45	50	60	70	80	88	100	110
Model	P2		l/min	750		833	1000	1167	1333	1466	1667	1833	1916
		kW	HP	H (m) = Total head									
MXVL	MXV 100-9001-1R/A	5,5	7,5	26,4	20,5	19,9	18,7	17,3	15,5	13,2	9,5	5,7	3,5
MXVL	MXV 100-9001/A	7,5	10	35,6	27	25,6	23,2	21,9	20,4	18,8	15,7	12,4	10,5
MXVL	MXV 100-9002-2R/A	11	15	49,6	42,4	41,3	39	36,6	33,2	29,4	22,7	15,7	11,7
MXVL	MXV 100-9002/A	15	20	69,2	56,6	54,5	50,5	47,3	44,3	41,6	36,3	30,5	27,3
MXVL	MXV 100-9003-2R/B	18,5	25	80,4	70,8	69,1	65,6	62,2	57,7	53	44,3	34,9	30,4
MXVL	MXV 100-9003/A	22	30	92,4	82,6	80,6	76,7	73,2	69,4	65,5	57,8	49,7	45,2
MXVL	MXV 100-9004-2R/A	30	40	113,1	100,6	98,2	93,5	89	83,5	77,5	66,5	54,6	48,5
MXVL	MXV 100-9004/A	30	40	125,6	113	110,4	105,2	100,6	95,7	90,7	80,8	70,2	64,4
MXVL	MXV 100-9005-2R/A	37	50	144,1	128,4	125,4	119,3	113,7	106,9	99,7	86,1	71,6	64,1
MXVL	MXV 100-9005/A	37	50	156,6	140,7	137,4	130,9	125,2	119,1	112,8	100,3	87,1	79,8
MXVL	MXV 100-9006-2R/A	45	60	175,9	157	153,4	146,1	139,3	131,4	122,9	107	89,8	80,8
MXVL	MXV 100-9006/A	45	60	188,4	169,5	165,6	157,8	150,9	143,6	136,2	121,3	105,5	96,7

Test results with clean cold water, without gas content.

A safety margin of + 0.5 m is recommended for the NPSH value.

Tolerances according to UNI EN ISO 9906:2012

Head and power values valid for liquids with density $\rho = 1,0 \text{ kg/dm}^3$ and kinematic viscosity $\nu = \text{max } 20 \text{ mm}^2/\text{sec}$. Total head in m
Pst: Power with reference to one stage.

A*: Calpeda motor currents



Rated current

Single-phase

Model	P2		230V	Weight
	kW	HP	A	kg
M80 V1-0.75M	0,75	1	5,8	12.4
M80 V1-1.1M	1,1	1,5	7,4	13.4
M90 V1-1.5M	1,5	2	9,2	15.3
M90 V1-1.8M	1,8	2,5	11,2	18.4
M90 V1-2.2T	2,2	3	14,5	20

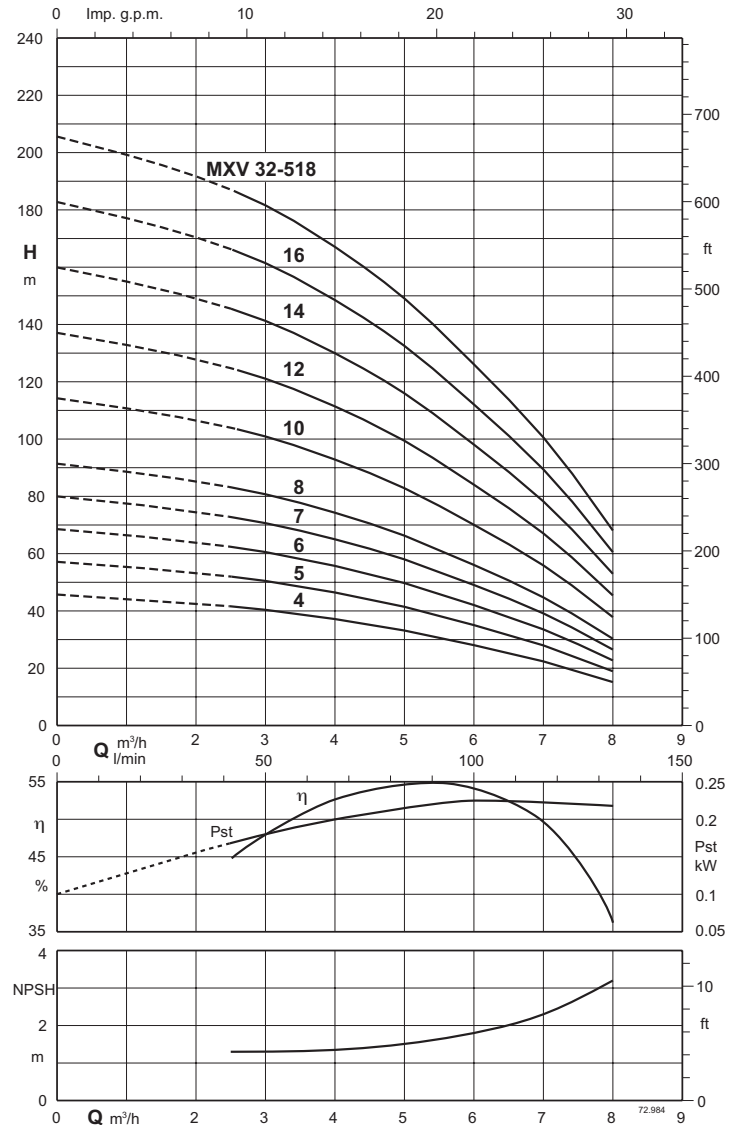
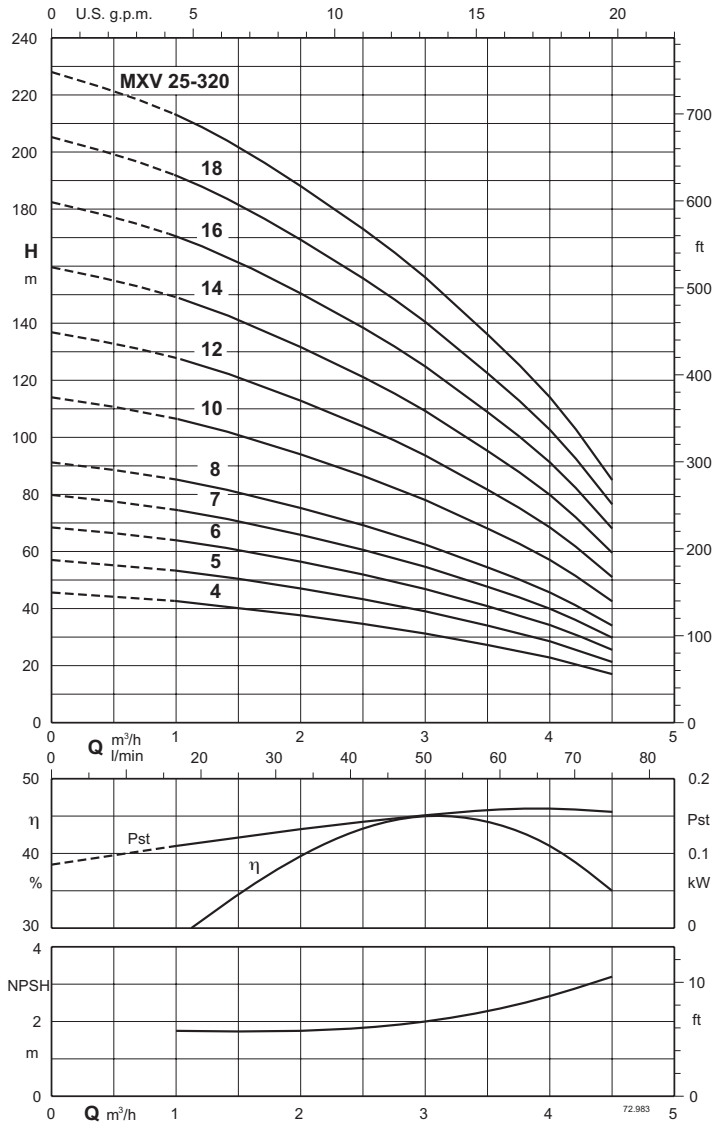
Three-phase

Model	P2		230V	400V	690V	Weight
	kW	HP	A			kg
M80 V1-0.75T	0,75	1	4	2,3	-	11.7
M80 V1-1.1T/A	1,1	1,5	4,6	2,7	-	13.5
M90 V1-1.5T/A	1,5	2	7,5	4,3	-	15
M90 V1-2.2T/A	2,2	3	9,2	5,3	-	18.1
M90 V1-2.2T	2,2	3	9,2	5,3	-	17.3
M100 V1-3T	3	4	11,5	6,6	-	24.7
M112 V1-4T/A	4	5,5	-	9,6	5,5	28.9
M132 V1-5.5T	5,5	7,5	-	10,8	6,2	42.3
M132 V1-7.5T	7,5	10	-	14,3	8,3	47.5
M160 V1-9.2T	9,2	12,5	-	18,5	10,7	71
M160 V1-11T/A	11	15	-	21,5	12,4	78.2
M160 V1-15T/A	15	20	-	27,3	15,8	97.2
M160 V1-18,5T/B	18,5	25	-	34	19,6	121.7
M180 V1-22T/A	22	30	-	41	23,7	128.1

A*: Calpeda motor currents



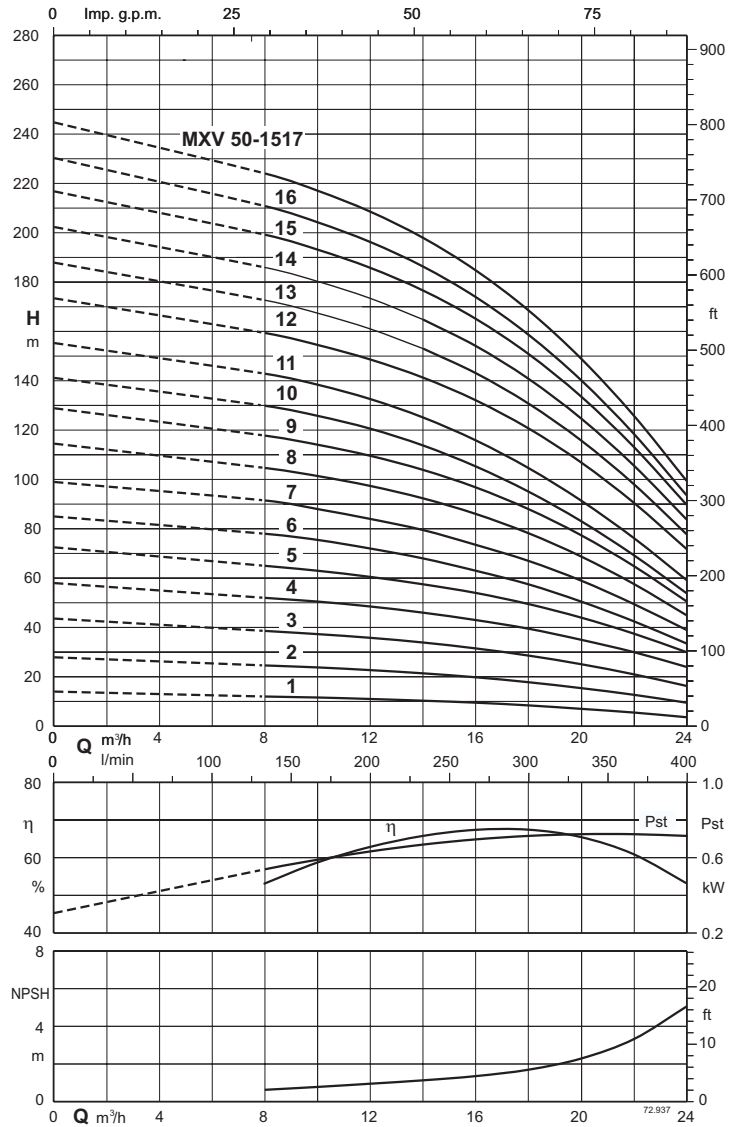
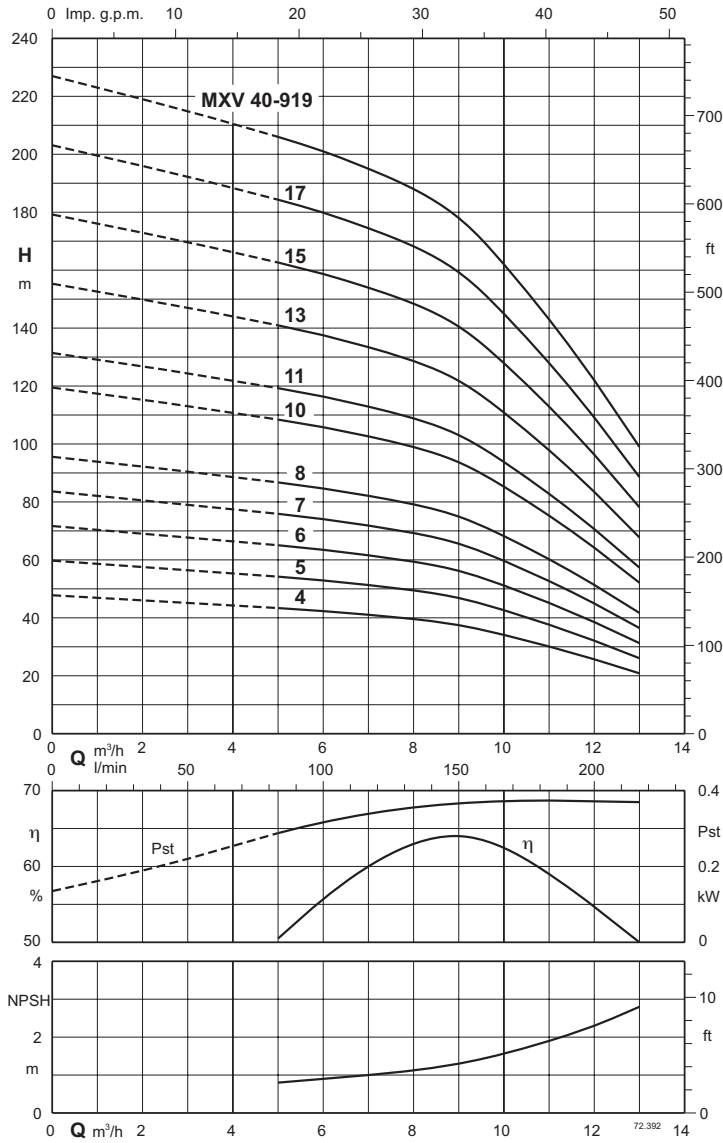
Characteristic curves $n \approx 2900$ rpm



Test results with clean cold water, without gas content.
 A safety margin of + 0.5 m is recommended for the NPSH value.
 Tolerances in accordance with UNI EN ISO 9906:2012
 Head and power values valid for liquids with density $\rho = 1,0 \text{ kg/dm}^3$ and kinematic viscosity $\nu = \text{max } 20 \text{ mm}^2/\text{sec}$.
 P_{st} = Power with reference to one stage.
 A* Calpeda motor currents



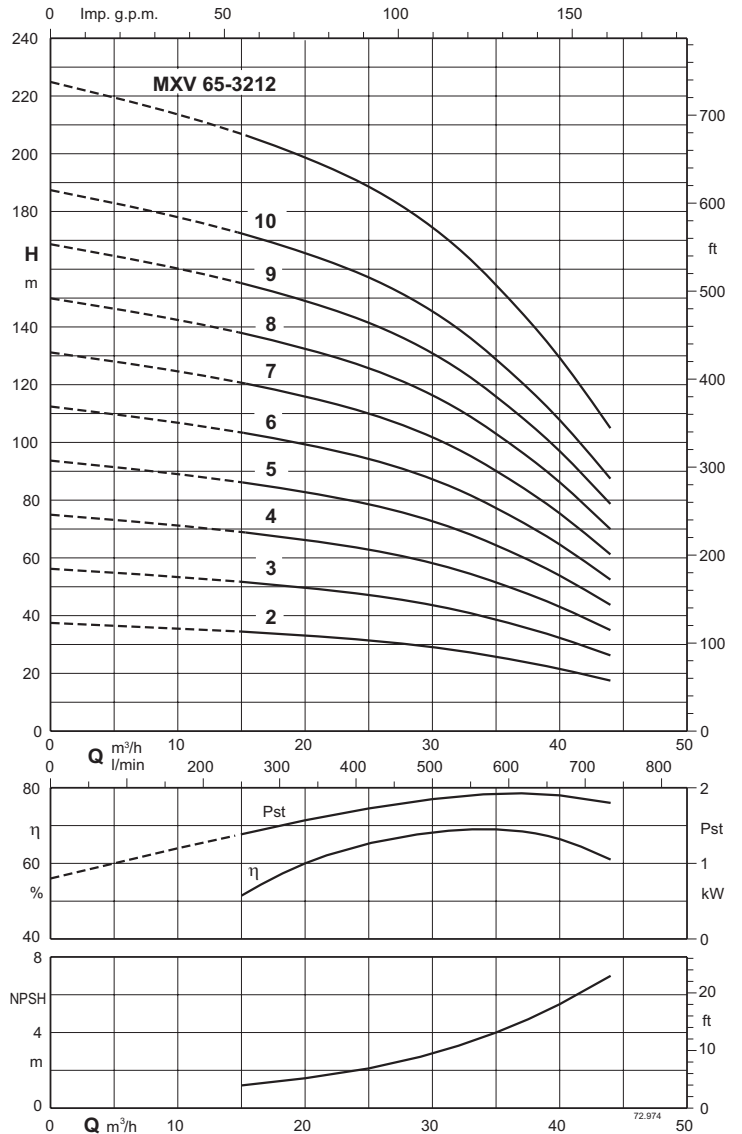
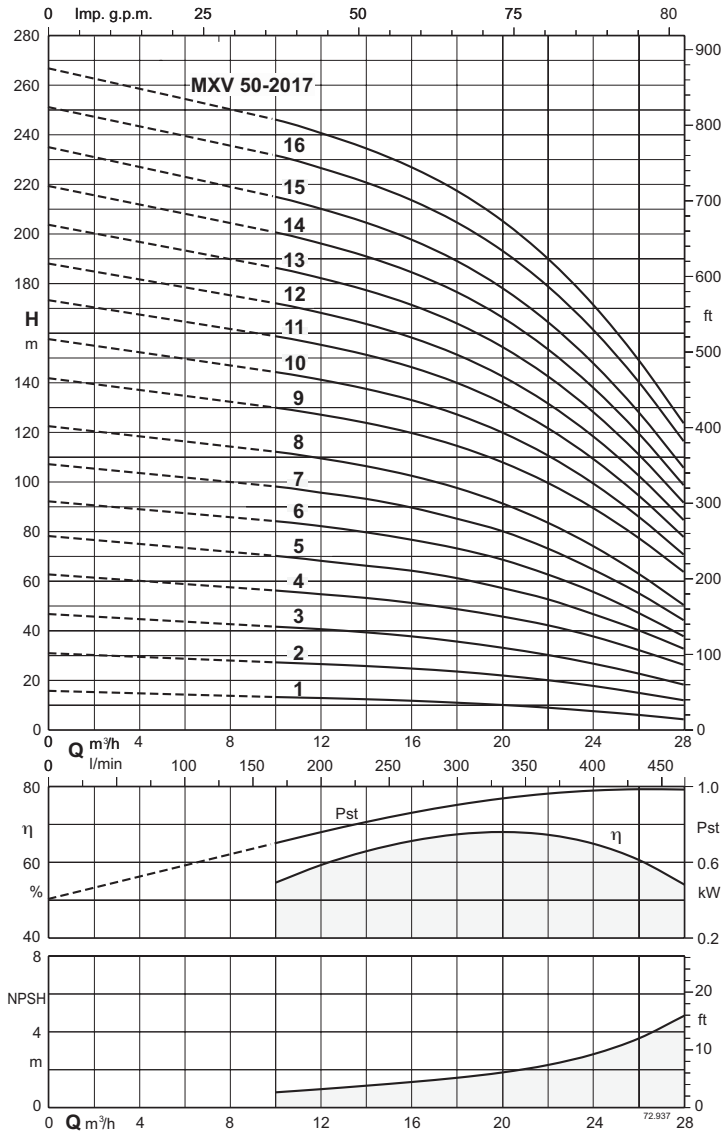
Characteristic curves $n \approx 2900$ rpm



Test results with clean cold water, without gas content.
 A safety margin of + 0.5 m is recommended for the NPSH value.
 Tolerances in accordance with UNI EN ISO 9906:2012
 Head and power values valid for liquids with density $\rho = 1,0$ kg/dm³ and kinematic viscosity $\nu = \max 20$ mm²/sec.
 Pst = Power with reference to one stage.
 A* Calpeda motor currents



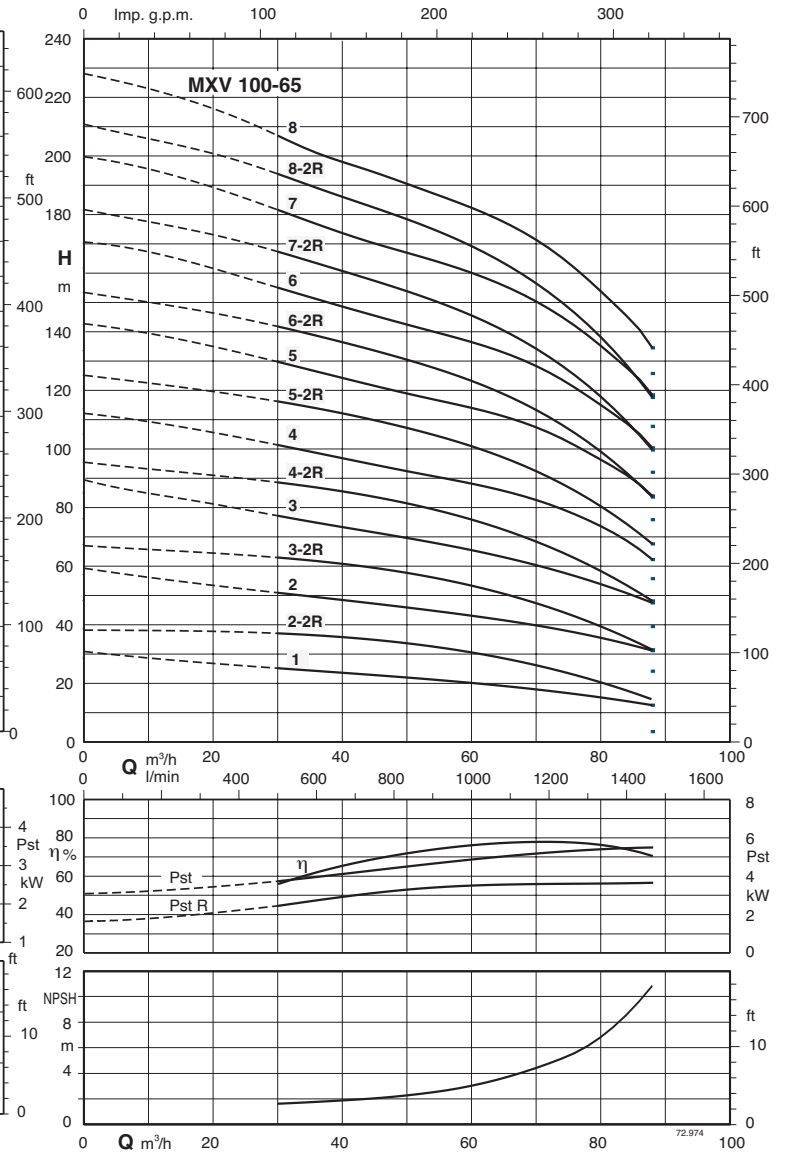
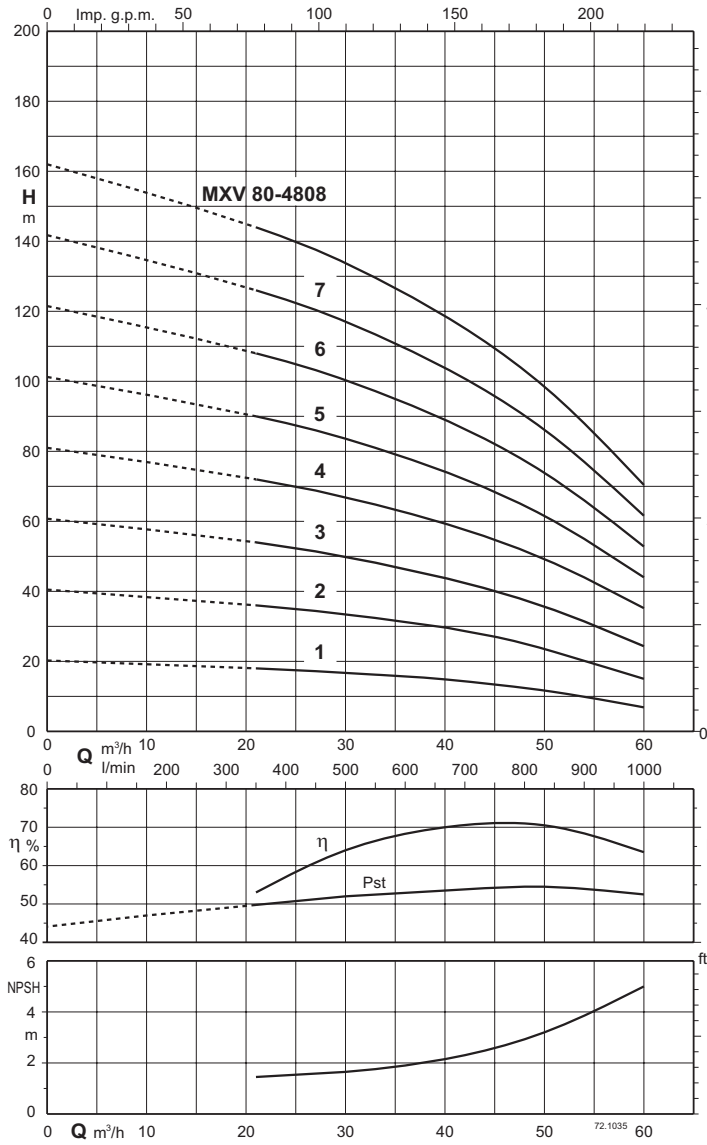
Characteristic curves $n \approx 2900$ rpm



Test results with clean cold water, without gas content.
 A safety margin of + 0.5 m is recommended for the NPSH value.
 Tolerances in accordance with UNI EN ISO 9906:2012
 Head and power values valid for liquids with density $\rho = 1,0$ kg/dm³ and kinematic viscosity $\nu = \max 20$ mm²/sec.
 Pst = Power with reference to one stage.
 A* Calpeda motor currents



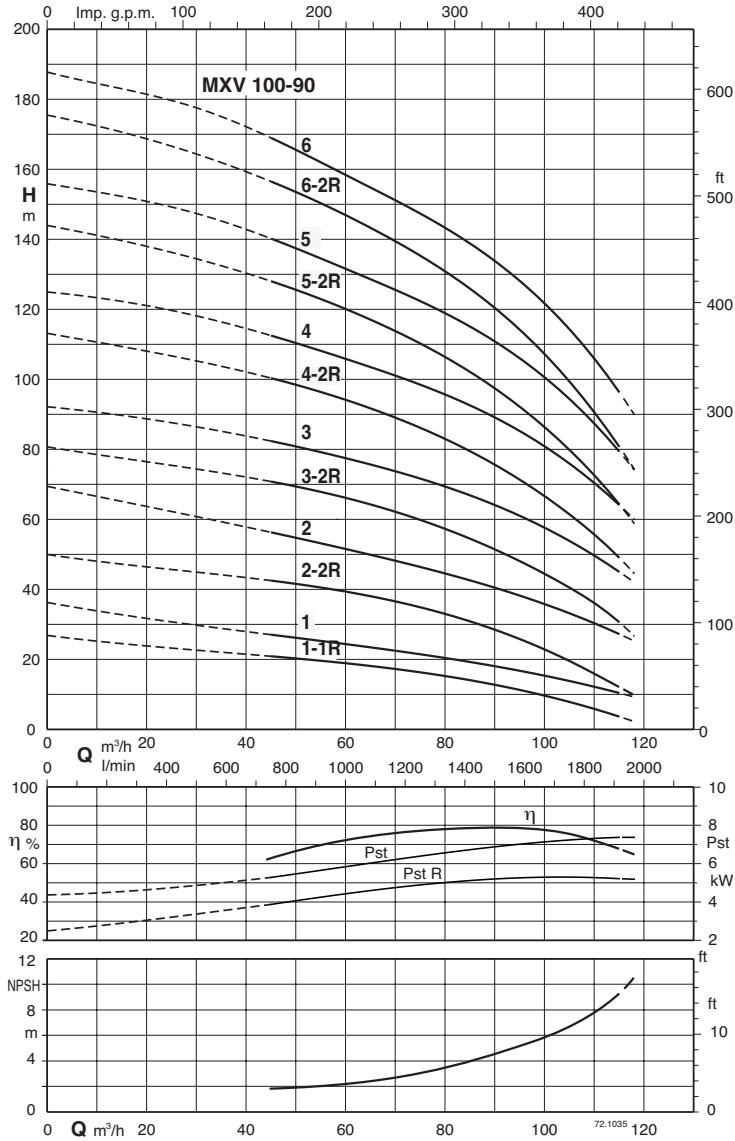
Characteristic curves $n \approx 2900$ rpm



Test results with clean cold water, without gas content.
 A safety margin of + 0.5 m is recommended for the NPSH value.
 Tolerances in accordance with UNI EN ISO 9906:2012
 Head and power values valid for liquids with density $\rho = 1,0$ kg/dm³ and kinematic viscosity $\nu = \max 20$ mm²/sec.
 Pst = Power with reference to one stage.
 A* Calpeda motor currents



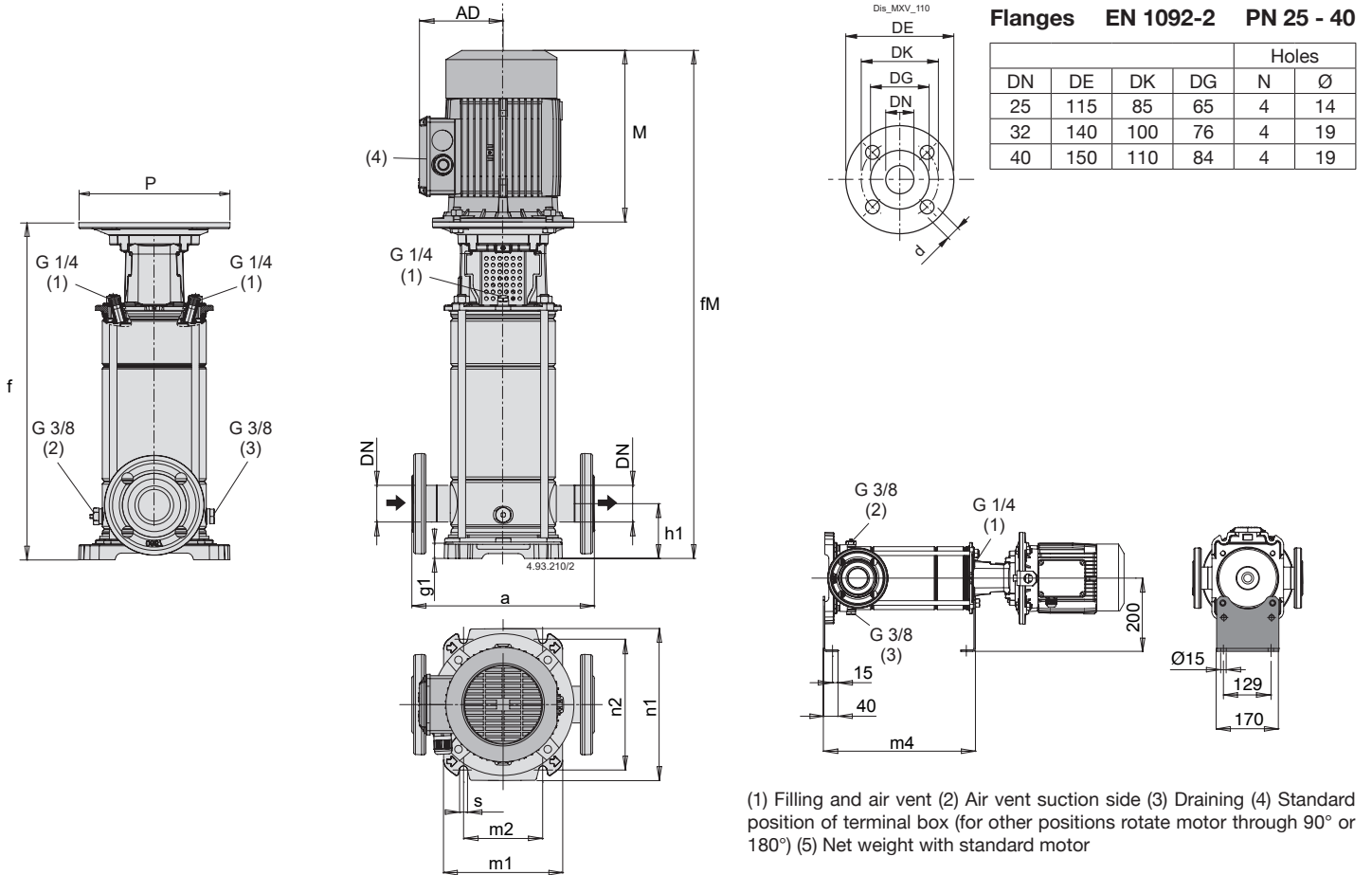
Characteristic curves $n \approx 2900$ rpm



Test results with clean cold water, without gas content.
 A safety margin of + 0.5 m is recommended for the NPSH value.
 Tolerances in accordance with UNI EN ISO 9906:2012
 Head and power values valid for liquids with density $\rho = 1,0$ kg/dm³ and kinematic viscosity $\nu = \max 20$ mm²/sec.
 Pst = Power with reference to one stage.
 A* Calpeda motor currents



Dimensions and weights

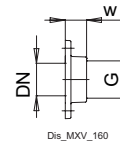
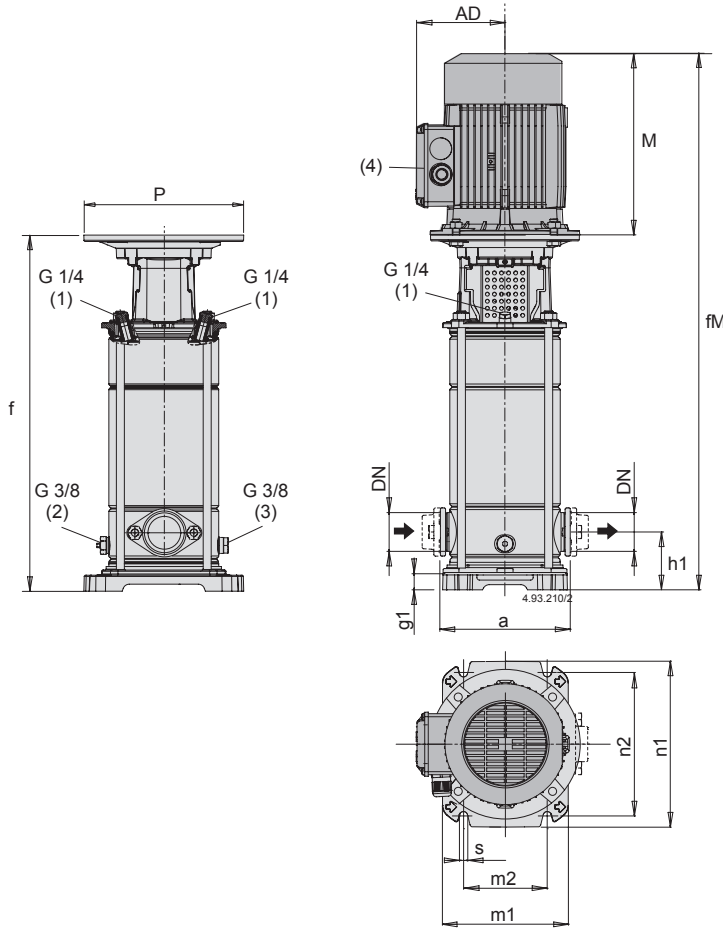


Data also valid for MXVL (1.4401 EN 10088 (AISI 316))

TYPE	Motor			mm																Kg (5)
	kW	HP	tipo	DN1	DN2	M	fM	P	AD	a	h1	f	g1	n1	n2	m1	m2	m4	s	
MXV 25-304	0,75	1	80	25	25	255	637.5	200	127.5	250	75	382.5	35.5	205	180	165	100	283	13	31
MXV 25-305	0,75	1	80	25	25	255	661.5	200	127.5	250	75	406.5	35.5	205	180	165	100	307	13	38
MXV 25-306	1,1	1,5	80	25	25	255	685.5	200	127.5	250	75	430.5	35.5	205	180	165	100	331	13	34.5
MXV 25-307	1,1	1,5	80	25	25	255	709.5	200	127.5	250	75	454.5	35.5	205	180	165	100	355	13	35.3
MXV 25-308	1,5	2	90	25	25	255	733.5	200	127.5	250	75	478.5	35.5	205	180	165	100	379	13	37.4
MXV 25-310	1,5	2	90	25	25	255	782	200	127.5	250	75	527	35.5	205	180	165	100	427.5	13	38.9
MXV 25-312	2,2	3	90	25	25	295	870.5	200	127.5	250	75	575.5	35.5	205	180	165	100	476	13	43.3
MXV 25-314	2,2	3	90	25	25	295	918.5	200	127.5	250	75	623.5	35.5	205	180	165	100	524	13	45.2
MXV 25-316	3	4	100	25	25	316	988	250	137.5	250	75	672	35.5	205	180	165	100	572.5	13	53.8
MXV 25-318	3	4	100	25	25	316	1036.5	250	137.5	250	75	720.5	35.5	205	180	165	100	621	13	55.3
MXV 25-320	3	4	100	25	25	316	1084.5	250	137.5	250	75	768.5	35.5	205	180	165	100	669	13	56.8
MXV 32-504	1,1	1,5	80	32	32	255	637.5	200	127.5	250	75	382.5	35.5	205	180	165	100	283	13	34.1
MXV 32-505	1,1	1,5	80	32	32	255	661.5	200	127.5	250	75	406.5	35.5	205	180	165	100	307	13	35.2
MXV 32-506	1,5	2	90	32	32	255	685.5	200	127.5	250	75	430.5	35.5	205	180	165	100	331	13	37.3
MXV 32-507	1,5	2	90	32	32	255	709.5	200	127.5	250	75	454.5	35.5	205	180	165	100	355	13	38
MXV 32-508	2,2	3	90	32	32	295	773.5	200	127.5	250	75	478.5	35.5	205	180	165	100	379	13	41.7
MXV 32-510	2,2	3	90	32	32	295	822	200	127.5	250	75	527	35.5	205	180	165	100	427.5	13	43.2
MXV 32-512	3	4	100	32	32	311	886.5	250	137.5	250	75	575.5	35.5	205	180	165	100	476	13	52.3
MXV 32-514	3	4	100	32	32	311	934.5	250	137.5	250	75	623.5	35.5	205	180	165	100	524	13	48.3
MXV 32-516	4	5,5	112	32	32	311	983	250	137.5	250	75	672	35.5	205	180	165	100	572.5	13	58.4
MXV 32-518	4	5,5	112	32	32	311	1031.5	250	137.5	250	75	720.5	35.5	205	180	165	100	621	13	60
MXV 40-904	1,5	2	90	40	40	255	666.5	200	127.5	280	80	411.5	30.5	250	215	190	130	312	14	38
MXV 40-905	2,2	3	90	40	40	295	736.5	200	127.5	280	80	441.5	30.5	250	215	190	130	342	14	42.3
MXV 40-906	2,2	3	90	40	40	295	766.5	200	127.5	280	80	471.5	30.5	250	215	190	130	372	14	43.2
MXV 40-907	3	4	100	40	40	311	812.5	250	137.5	280	80	501.5	30.5	250	215	190	130	402	14	52
MXV 40-908	3	4	100	40	40	311	843	250	137.5	280	80	532	30.5	250	215	190	130	432.5	14	52.3
MXV 40-910	4	5,5	112	40	40	311	903	250	137.5	280	80	592	30.5	250	215	190	130	492.5	14	57.2
MXV 40-911	4	5,5	112	40	40	311	373	250	137.5	280	80	62	30.5	250	215	190	130	522.5	14	58.6
MXV 40-913	5,5	7,5	132	40	40	339	1108.5	250	159.5	280	80	769.5	30.5	250	215	190	130	583.5	14	85.8
MXV 40-915	5,5	7,5	132	40	40	339	1169	300	159.5	280	80	830	30.5	250	215	190	130	644	14	88.5
MXV 40-917	7,5	10	132	40	40	339	1229	300	159.5	280	80	890	30.5	250	215	190	130	704	14	94.6
MXV 40-919	7,5	10	132	40	40	339	1289	300	159.5	280	80	950	30.5	250	215	190	130	764	14	96.3

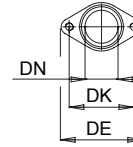


Dimensions and weights



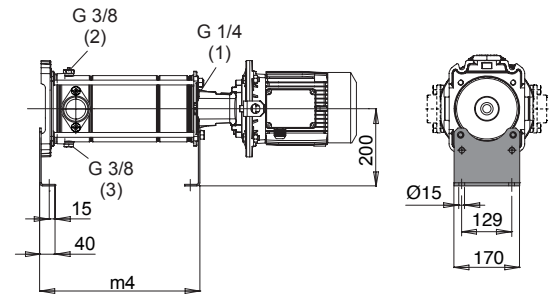
Oval Counterflanges PN 16

DN	G	w	Holes	
			N.	Ø
25	1	23	2	12
32	1 1/4	23	2	12
40	1 1/2	26	2	15



Oval Flanges PN 16

DN	DE	DK	Holes	
			N	Ø
25	95	75	2	M10
32	95	75	2	M10
40	125	100	2	M12



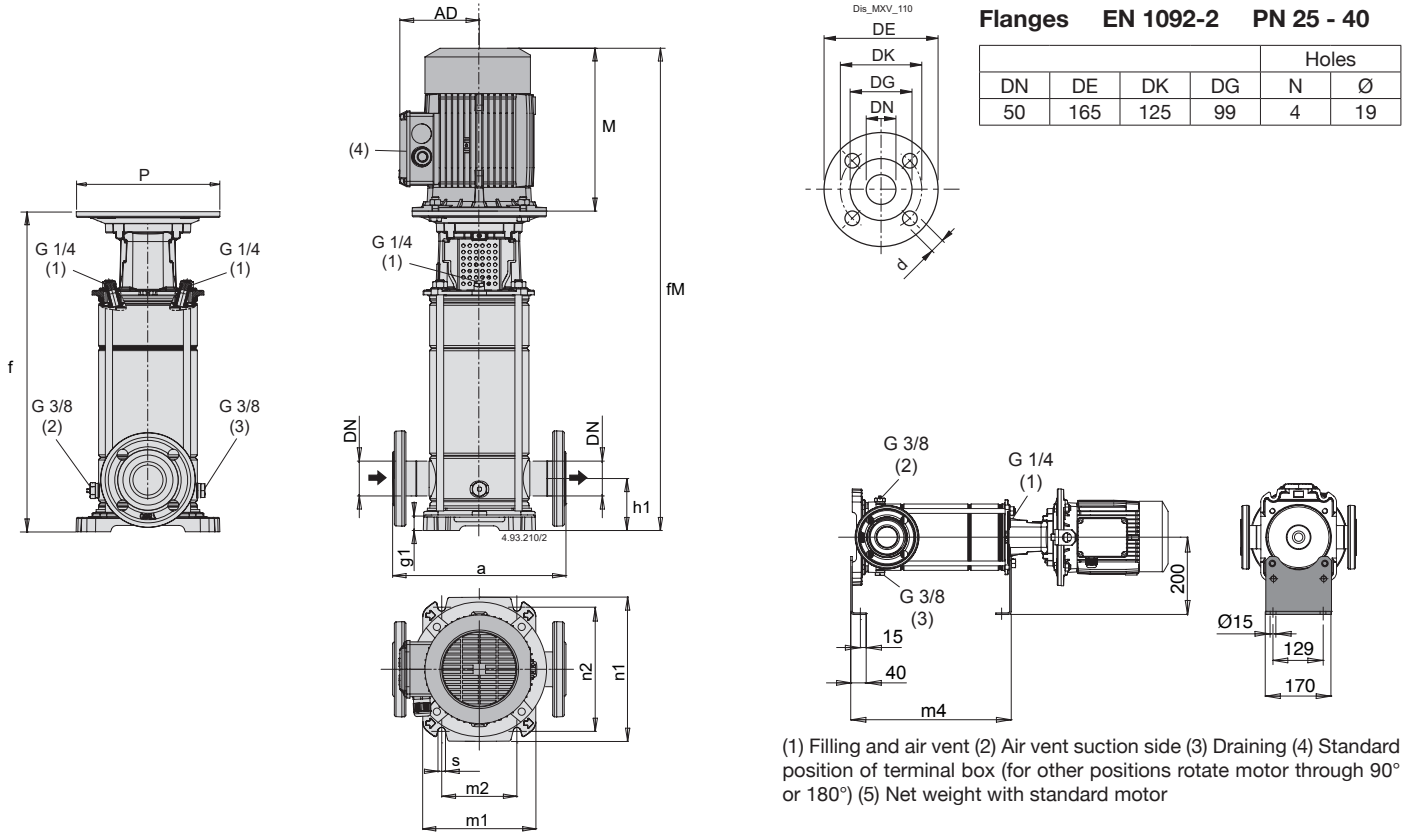
(1) Filling and air vent (2) Air vent suction side (3) Draining (4) Standard position of terminal box (for other positions rotate motor through 90° or 180°) (5) Net weight with standard motor

Data also valid for MXVL (1.4401 EN 10088 (AISI 316))

TYPE	Motor			mm																Kg (5)
	kW	HP	tipo	DN1	DN2	M	fM	P	AD	a	h1	f	g1	n1	n2	m1	m2	m4	s	
MXV 25-304 O	0,75	1	80	25	25	255	622	200	127.5	160	50	367	20	205	180	165	100	268	13	28.6
MXV 25-305 O	0,75	1	80	25	25	255	646	200	127.5	160	50	391	20	205	180	165	100	292	13	29.4
MXV 25-306 O	1,1	1,5	80	25	25	255	670	200	127.5	160	50	415	20	205	180	165	100	316	13	31.6
MXV 25-307 O	1,1	1,5	80	25	25	255	694	200	127.5	160	50	439	20	205	180	165	100	340	13	32.9
MXV 25-308 O	1,5	2	90	25	25	255	718	200	127.5	160	50	463	20	205	180	165	100	364	13	34.9
MXV 25-310 O	1,5	2	90	25	25	255	766.5	200	127.5	160	50	511.5	20	205	180	165	100	412.5	13	36.5
MXV 25-312 O	2,2	3	90	25	25	295	855	200	127.5	160	50	560	20	205	180	165	100	461	13	39
MXV 25-314 O	2,2	3	90	25	25	295	903	200	127.5	160	50	608	20	205	180	165	100	509	13	41.5
MXV 32-504 O	1,1	1,5	80	32	32	255	622	200	127.5	160	50	367	20	205	180	165	100	267.5	13	30
MXV 32-505 O	1,1	1,5	80	32	32	255	946	200	127.5	160	50	691	20	205	180	165	100	291.5	13	31.4
MXV 32-506 O	1,5	2	90	32	32	255	670	200	127.5	160	50	415	20	205	180	165	100	315.5	13	33.6
MXV 32-507 O	1,5	2	90	32	32	255	694	200	127.5	160	50	439	20	205	180	165	100	339.5	13	34.1
MXV 32-508 O	2,2	3	90	32	32	295	758	200	127.5	160	50	463	20	205	180	165	100	363.5	13	38.2
MXV 32-510 O	2,2	3	90	32	32	295	806.5	200	127.5	160	50	511.5	20	205	180	165	100	412	13	38.7
MXV 32-512 O	3	4	100	32	32	311	871	250	137.5	160	50	560	20	205	180	165	100	460.5	13	48.2
MXV 32-514 O	3	4	100	32	32	311	919	250	137.5	160	50	608	20	205	180	165	100	508.5	13	49.3
MXV 40-904 O	1,5	2	90	40	40	255	666.5	200	127.5	200	80	411.5	30.5	250	215	190	130	312	14	35
MXV 40-905 O	2,2	3	90	40	40	295	736.5	200	127.5	200	80	441.5	30.5	250	215	190	130	342	14	39.9
MXV 40-906 O	2,2	3	90	40	40	295	766.5	200	127.5	200	80	471.5	30.5	250	215	190	130	372	14	40
MXV 40-907 O	3	4	100	40	40	311	812.5	250	137.5	200	80	501.5	30.5	250	215	190	130	402	14	49.2
MXV 40-908 O	3	4	100	40	40	311	843	250	137.5	200	80	532	30.5	250	215	190	130	432.5	14	49.9
MXV 40-910 O	4	5,5	112	40	40	311	903	250	137.5	200	80	592	30.5	250	215	190	130	492.5	14	55.5
MXV 40-911 O	4	5,5	112	40	40	311	933	250	137.5	200	80	622	30.5	250	215	190	130	522.5	14	55.8
MXV 40-913 O	5,5	7,5	132	40	40	339	1108.5	300	159.5	200	80	769.5	30.5	250	215	190	130	583.5	14	88.7



Dimensions and weights

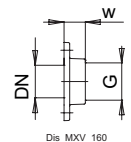
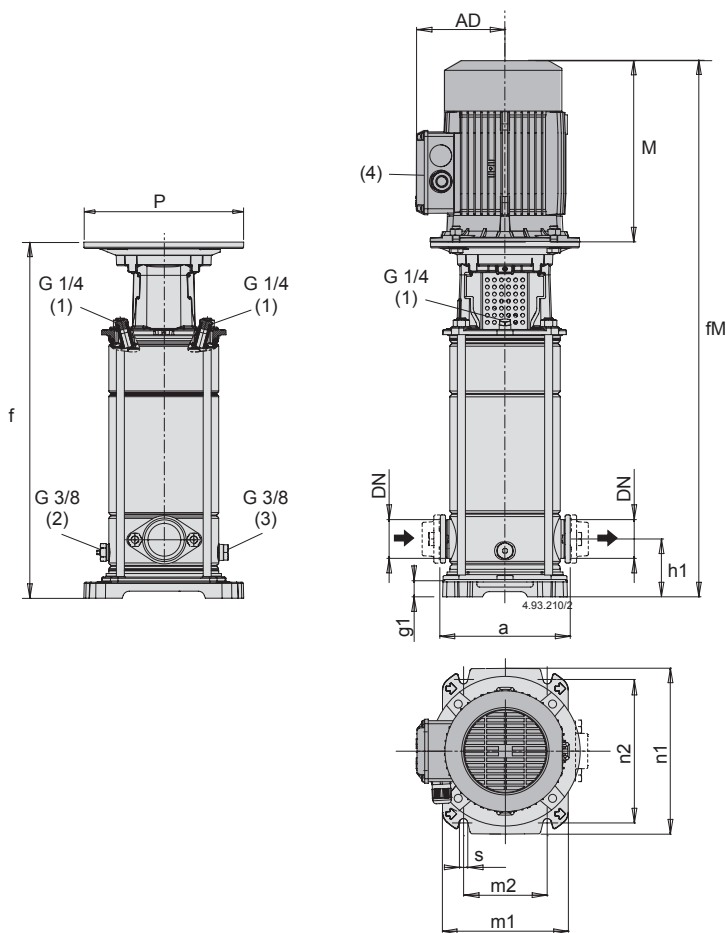


Data also valid for MXVL (1.4401 EN 10088 (AISI 316))

TYPE	Motor			mm															Kg (5)	
	kW	HP	tipo	DN1	DN2	M	fM	P	AD	a	h1	f	g1	n1	n2	m1	m2	m4		s
MXV 50-1501	1,1	1,5	80	50	50	255	693	200	127.5	300	90	438	25	250	215	196	130	349	13	41.5
MXV 50-1502	1,5	2	90	50	50	295	733	200	127.5	300	90	438	25	250	215	196	130	349	13	44.8
MXV 50-1503/A	2,2	3	90	50	50	295	781	200	127.5	300	90	486	25	250	215	196	130	397	13	54.5
MXV 50-1504	3	4	100	50	50	311	845	250	137.5	300	90	534	25	250	215	196	130	445	13	55.8
MXV 50-1505	4	5,5	112	50	50	311	893	250	137.5	300	90	582	25	250	215	196	130	493	13	61.1
MXV 50-1506	5,5	7,5	132	50	50	339	1032	300	159.5	300	90	693	25	250	215	196	130	541	13	86.5
MXV 50-1507	5,5	7,5	132	50	50	339	1080	300	159.5	300	90	741	25	250	215	196	130	589	13	88.4
MXV 50-1508/A	5,5	7,5	132	50	50	339	1128	300	159.5	300	90	789	25	250	215	196	130	637	13	89.3
MXV 50-1509	7,5	10	132	50	50	339	1176	300	159.5	300	90	837	25	250	215	196	130	685	13	96.5
MXV 50-1510	7,5	10	132	50	50	339	1224	300	159.5	300	90	885	25	250	215	196	130	733	13	99
MXV 50-1511	9,2	12,5	160	50	50	413	1376	350	186	300	90	963	25	250	215	196	130	781	13	131.5
MXV 50-1512	9,2	12,5	160	50	50	413	1424	350	186	300	90	1011	25	250	215	196	130	829	13	129.4
MXV 50-1513	11	15	160	50	50	459	1518	350	186	300	90	1059	25	250	215	196	130	877	13	138.5
MXV 50-1514	11	15	160	50	50	459	1566	350	186	300	90	1107	25	250	215	196	130	925	13	143.3
MXV 50-1515	11	15	160	50	50	459	1614	350	186	300	90	1155	25	250	215	196	130	973	13	146
MXV 50-1516	15	20	160	50	50	484	1687	350	186	300	90	1203	25	250	215	196	130	1021	13	165
MXV 50-1517	15	20	160	50	50	484	1735	350	186	300	90	1251	25	250	215	196	130	1069	13	167.7
MXV 50-2001	1,1	1,5	80	50	50	255	693	200	127.5	300	90	438	25	250	215	196	130	349	13	42.3
MXV 50-2002	2,2	3	90	50	50	295	733	200	127.5	300	90	438	25	250	215	196	130	349	13	46.3
MXV 50-2003	3	4	100	50	50	311	797	250	137.5	300	90	486	25	250	215	196	130	397	13	54.8
MXV 50-2004	4	5,5	112	50	50	311	832	250	137.5	300	90	521	25	250	215	196	130	445	13	49
MXV 50-2005	5,5	7,5	132	50	50	339	984	300	159.5	300	90	645	25	250	215	196	130	493	13	84.6
MXV 50-2006	7,5	10	132	50	50	339	1032	300	159.5	300	90	693	25	250	215	196	130	541	13	100
MXV 50-2007	7,5	10	132	50	50	339	1080	300	159.5	300	90	741	25	250	215	196	130	589	13	94.2
MXV 50-2008	9,2	12,5	160	50	50	413	1232	350	186	300	90	819	25	250	215	196	130	637	13	125
MXV 50-2009	9,2	12,5	160	50	50	413	1280	350	186	300	90	867	25	250	215	196	130	685	13	123.7
MXV 50-2010	11	15	160	50	50	459	1374	350	186	300	90	915	25	250	215	196	130	733	13	146
MXV 50-2011	11	15	160	50	50	459	1422	350	186	300	90	963	25	250	215	196	130	781	13	132.7
MXV 50-2012	15	20	160	50	50	484	1495	350	186	300	90	1011	25	250	215	196	130	829	13	-
MXV 50-2013	15	20	160	50	50	484	1543	350	186	300	90	1059	25	250	215	196	130	877	13	164.1
MXV 50-2014	15	20	160	50	50	484	1591	350	186	300	90	1107	25	250	215	196	130	925	13	160
MXV 50-2015	15	20	160	50	50	484	1639	350	186	300	90	1155	25	250	215	196	130	973	13	167
MXV 50-2016	18,5	25	160	50	50	484	1687	350	186	300	90	1203	25	250	215	196	130	1021	13	192
MXV 50-2017	18,5	25	160	50	50	484	1735	350	186	300	90	1251	25	250	215	196	130	1069	13	192.2

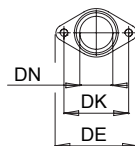


Dimensions and weights



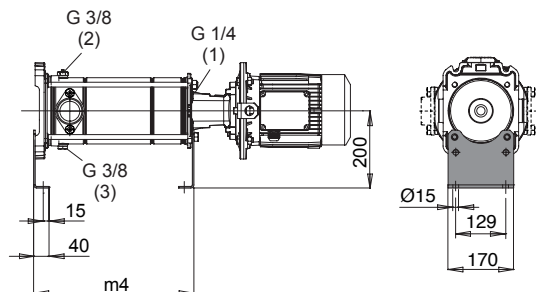
Oval Counterflanges PN 16

DN	G	w	Holes	
			N.	Ø
50	2	34	2	15



Oval Flanges PN 16

DN	DE	DK	Holes	
			N.	Ø
50	130	100	2	M12



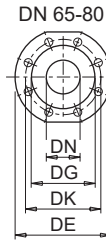
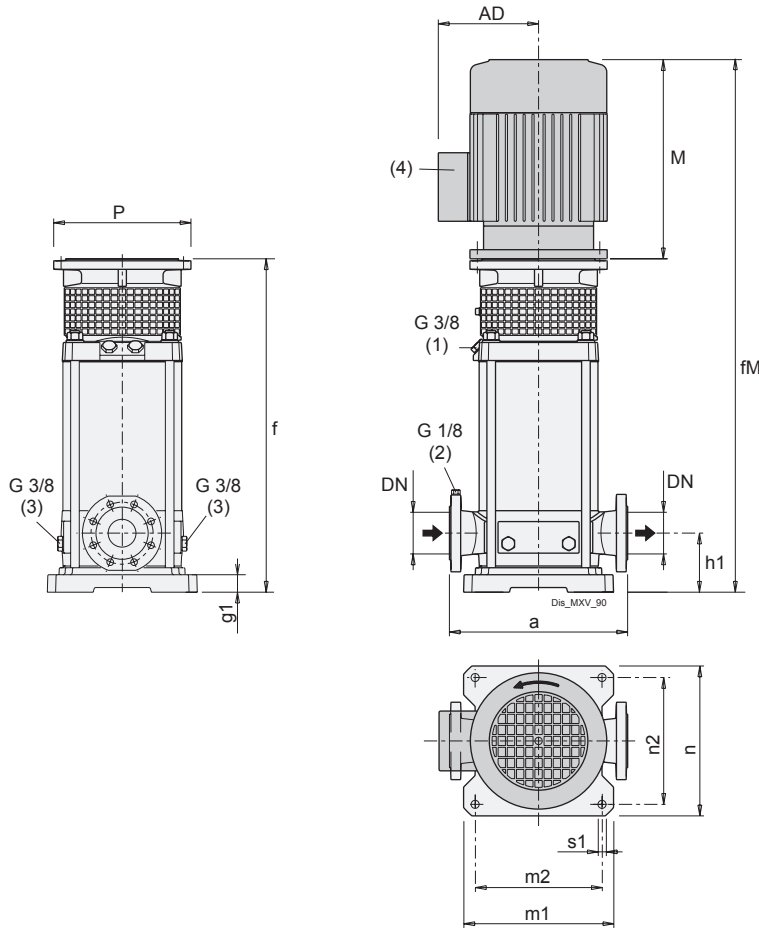
(1) Filling and air vent (2) Air vent suction side (3) Draining (4) Standard position of terminal box (for other positions rotate motor through 90° or 180°) (5) Net weight with standard motor

Data also valid for MXVL (1.4401 EN 10088 (AISI 316))

TYPE	Motor			mm																Kg (5)
	kW	HP	tipo	DN1	DN2	M	fM	P	AD	a	h1	f	g1	n1	n2	m1	m2	m4	s	
MXV 50-1501 O	1,1	1,5	80	50	50	255	693	200	127.5	200	90	438	25	250	215	196	130	349	13	-
MXV 50-1502 O	1,5	2	90	50	50	295	733	200	127.5	200	90	438	25	250	215	196	130	349	13	38.5
MXV 50-1503/A O	2,2	3	90	50	50	295	781	200	127.5	200	90	486	25	250	215	196	130	397	13	50.1
MXV 50-1504 O	3	4	100	50	50	311	845	250	137.5	200	90	534	25	250	215	196	130	445	13	52.7
MXV 50-1505 O	4	5,5	112	50	50	311	893	250	137.5	200	90	582	25	250	215	196	130	493	13	57.7
MXV 50-1506 O	5,5	7,5	132	50	50	339	1032	300	159.5	200	90	693	25	250	215	196	130	541	13	84
MXV 50-1507 O	5,5	7,5	132	50	50	339	1080	300	159.5	200	90	741	25	250	215	196	130	589	13	85.4
MXV 50-1508/A O	5,5	7,5	132	50	50	339	1128	300	159.5	200	90	789	25	250	215	196	130	637	13	87.3
MXV 50-1509 O	7,5	10	132	50	50	339	1176	300	159.5	200	90	837	25	250	215	196	130	685	13	95.8
MXV 50-1510 O	7,5	10	132	50	50	339	1224	300	159.5	200	90	885	25	250	215	196	130	733	13	96.4
MXV 50-2001 O	1,1	1,5	80	50	50	255	693	200	127.5	200	90	438	25	250	215	196	130	349	13	38
MXV 50-2002 O	2,2	3	90	50	50	295	733	200	127.5	200	90	438	25	250	215	196	130	349	13	-
MXV 50-2003 O	3	4	100	50	50	311	797	250	137.5	200	90	486	25	250	215	196	130	397	13	52.1
MXV 50-2004 O	4	5,5	112	50	50	311	832	250	137.5	200	90	521	25	250	215	196	130	445	13	55.2
MXV 50-2005 O	5,5	7,5	132	50	50	339	984	300	159.5	200	90	645	25	250	215	196	130	493	13	82.5
MXV 50-2006 O	7,5	10	132	50	50	339	1032	300	159.5	200	90	693	25	250	215	196	130	541	13	-
MXV 50-2007 O	7,5	10	132	50	50	339	1080	300	159.5	200	90	741	25	250	215	196	130	589	13	91
MXV 50-2008 O	9,2	12,5	160	50	50	413	1232	350	186	200	90	819	25	250	215	196	130	637	13	-
MXV 50-2009 O	9,2	12,5	160	50	50	413	1280	350	186	200	90	867	25	250	215	196	130	685	13	126.5
MXV 50-2010 O	11	15	160	50	50	459	1374	350	186	200	90	915	25	250	215	196	130	733	13	-

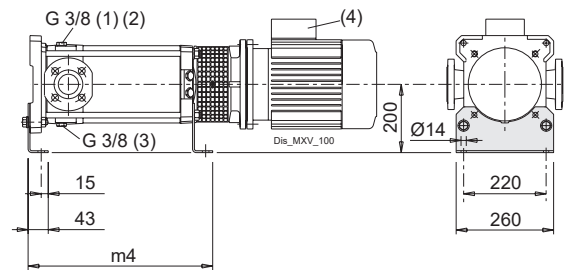


Dimensions and weights



Flanges EN 1092-2

				Holes	
DN	DE	DK	DG	N	Ø
65	185	145	118	8	19
80	200	160	132	8	19

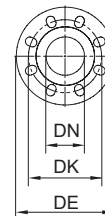
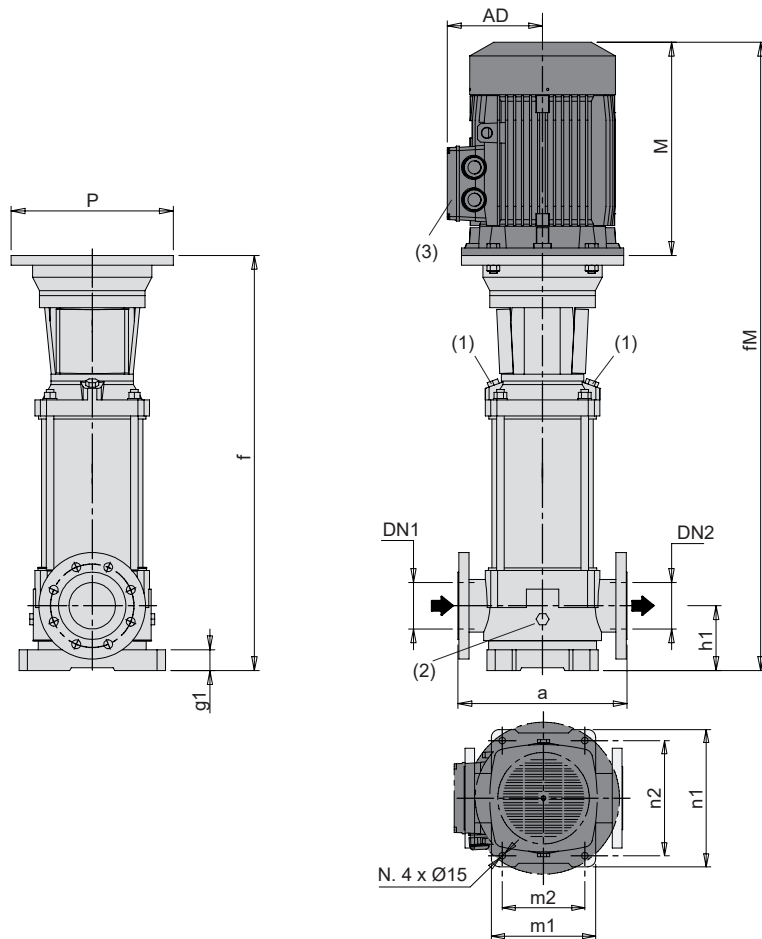


(1) Filling and air vent (2) Air vent suction side (3) Draining (4) Standard position of terminal box (for other positions rotate motor through 90° or 180°) (5) Net weight with standard motor

Data also valid for MXVL (1.4401 EN 10088 (AISI 316))

TYPE	Motor			mm																Kg (5)
	kW	HP	tipo	DN1	DN2	M	fM	P	AD	a	h1	f	g1	n1	n2	m1	m2	m4	s	
MXV 65-3202/D	4	5,5	112	65	65	311	718	250	137.5	320	105	407	35	260	220	260	220	334	14	72
MXV 65-3203/C	5,5	7,5	132	65	65	339	812	300	159.5	320	105	473	35	260	220	260	220	380	14	93
MXV 65-3204/C	7,5	10	132	65	65	339	858	300	159.5	320	105	519	35	260	220	260	220	426	14	100.7
MXV 65-3205/D	11	15	160	65	65	459	1054	350	186	320	105	595	35	260	220	260	220	472	14	140.5
MXV 65-3206/D	11	15	160	65	65	459	1100	350	186	320	105	641	35	260	220	260	220	518	14	144
MXV 65-3207/D	15	20	160	65	65	484	1171	350	186	320	105	687	35	260	220	260	220	564	14	164
MXV 65-3208/D	15	20	160	65	65	484	1217	350	186	320	105	733	35	260	220	260	220	610	14	165
MXV 65-3209/E	18,5	25	160	65	65	538	1290	350	206	320	105	779	35	260	220	260	220	656	14	192.7
MXV 65-3210/E	18,5	25	160	65	65	538	1363	350	206	320	105	825	35	260	220	260	220	702	14	194.7
MXV 65-3212/D	22	30	180	65	65	538	1455	350	206	320	105	917	35	260	220	260	220	794	14	204.8
MXV 80-4801/D	4	5,5	112	80	80	311	722	250	137.5	320	105	411	35	260	220	260	220	338	14	73.3
MXV 80-4802/C	5,5	7,5	132	80	80	339	805	300	159.5	320	105	466	35	260	220	260	220	373	14	93.8
MXV 80-4803/C	7,5	10	132	80	80	339	866	300	159.5	320	105	527	35	260	220	260	220	434	14	103.2
MXV 80-4804/D	11	15	160	80	80	459	1077	350	186	320	105	618	35	260	220	260	220	495	14	154
MXV 80-4805/D	15	20	160	80	80	484	1164	350	186	320	105	680	35	260	220	260	220	557	14	165.5
MXV 80-4806/D	15	20	160	80	80	484	1225	350	186	320	105	741	35	260	220	260	220	618	14	168
MXV 80-4807/E	18,5	25	160	80	80	538	1340	350	206	320	105	802	35	260	220	260	220	679	14	195
MXV 80-4808/D	22	30	180	80	80	538	1402	350	206	320	105	864	35	260	220	260	220	741	14	203.8

Dimensions and weights



EN 1092-2 compatible flanges

DN	PN	DE	DK	Holes	
				N	Ø
100	16	230	180	8	19
100	25	225	190	8	23

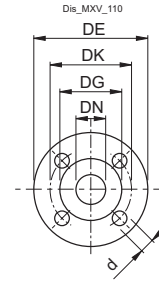
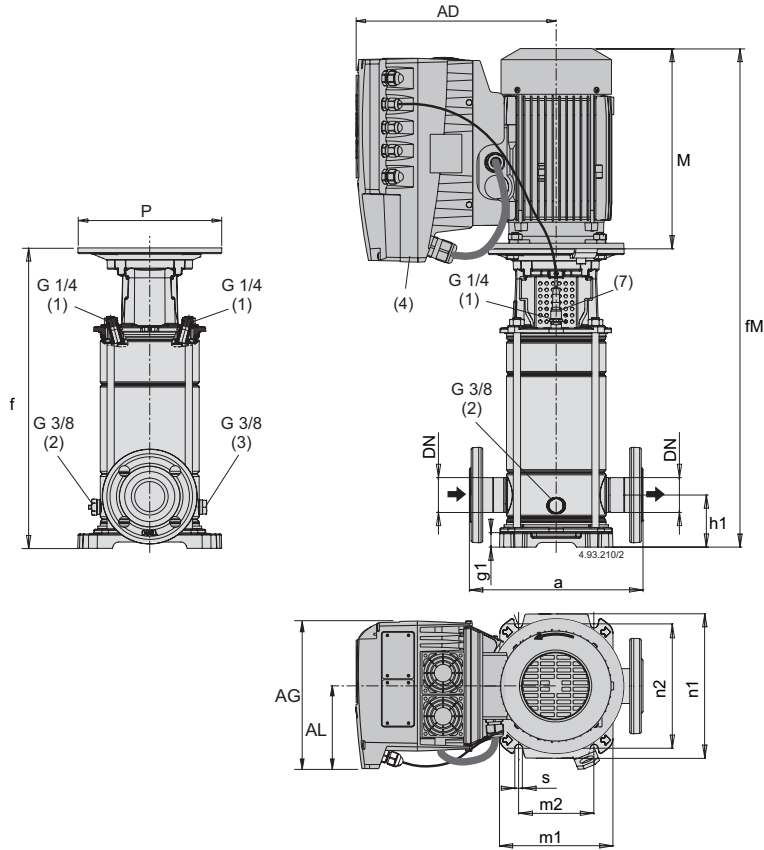
(1) Filling and Discharge | (2) Discharge

Data also valid for MXVL (1.4401 EN 10088 (AISI 316))

TYPE	Motor			mm													Kg (5)
	kW	HP	tipo	DN1	DN2	M	fM	P	AD	a	h1	f	n1	n2	m1	m2	
MXV 100-6501/A	5,5	7,5	132	100	100	339	1096	300	159.5	365	140	757	316	265	240	190	120.5
MXV 100-6502-2R/A	7,5	10	132	100	100	339	1188	300	159.5	365	140	849	316	265	240	190	133.8
MXV 100-6502/A	11	15	160	100	100	459	1308	350	186	365	140	849	316	265	240	190	177
MXV 100-6503-2R/A	15	20	160	100	100	484	1425	350	186	365	140	941	316	265	240	190	191.5
MXV 100-6503/B	18,5	25	160	100	100	538	1484	350	206	365	140	946	316	265	240	190	215
MXV 100-6504-2R/B	18,5	25	160	100	100	538	1576	350	206	365	140	1038	316	265	240	190	220.5
MXV 100-6504/A	22	30	180	100	100	538	1576	350	206	365	140	1038	316	265	240	190	227
MXV 100-6505-2R/A	30	40	200	100	100	636	1766	400	315	365	140	1130	316	265	240	190	290
MXV 100-6505/A	30	40	200	100	100	636	1766	400	315	365	140	1130	316	265	240	190	288.5
MXV 100-6506-2R/A	30	40	200	100	100	636	1859	400	315	365	140	1223	316	265	240	190	294.5
MXV 100-6506/A	37	50	200	100	100	636	1859	400	315	365	140	1223	316	265	240	190	-
MXV 100-6507-2R/A	37	50	200	100	100	636	1951	400	315	365	140	1315	316	265	240	190	364.5
MXV 100-6507/A	45	60	225	100	100	708	2023	450	338	365	140	1315	316	265	240	190	-
MXV 100-6508-2R/A	45	60	225	100	100	708	2115	450	338	365	140	1407	316	265	240	190	-
MXV 100-6508/A	45	60	225	100	100	708	2115	450	338	365	140	1407	316	265	240	190	-
MXV 100-9001-1R/A	5,5	7,5	132	100	100	339	1096	300	159.5	380	140	757	341	280	260	199	123
MXV 100-9001/A	7,5	10	132	100	100	339	1096	300	159.5	380	140	757	341	280	260	199	131
MXV 100-9002-2R/A	11	15	160	100	100	459	1308	350	186	380	140	849	341	280	260	199	178.5
MXV 100-9002/A	15	20	160	100	100	484	1338	350	186	380	140	854	341	280	260	199	193
MXV 100-9003-2R/B	18,5	25	160	100	100	538	1484	350	206	380	140	946	341	280	260	199	218
MXV 100-9003/A	22	30	180	100	100	538	1484	350	206	380	140	946	341	280	260	199	217.2
MXV 100-9004-2R/A	30	40	200	100	100	636	1674	400	315	380	140	1038	341	280	260	199	283.8
MXV 100-9004/A	30	40	200	100	100	636	1674	400	315	380	140	1038	341	280	260	199	253
MXV 100-9005-2R/A	37	50	200	100	100	636	1767	400	315	380	140	1131	341	280	260	199	-
MXV 100-9005/A	37	50	200	100	100	636	1767	400	315	380	140	1131	341	280	260	199	359
MXV 100-9006-2R/A	45	60	225	100	100	708	1931	450	338	380	140	1223	341	280	260	199	392
MXV 100-9006/A	45	60	225	100	100	708	1931	450	338	380	140	1223	341	280	260	199	378.6

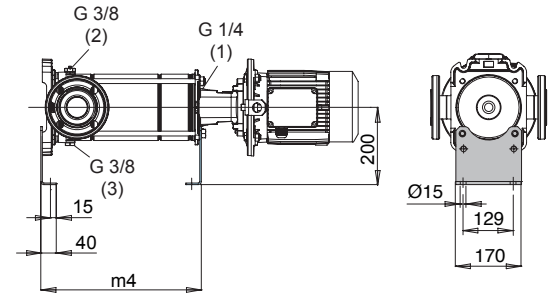


Dimensions and weights



Flanges EN 1092-2 PN 25 - 40

DN	DE	DK	DG	Holes	
				N	Ø
25	115	85	65	4	14
32	140	100	76	4	19
40	150	110	84	4	19



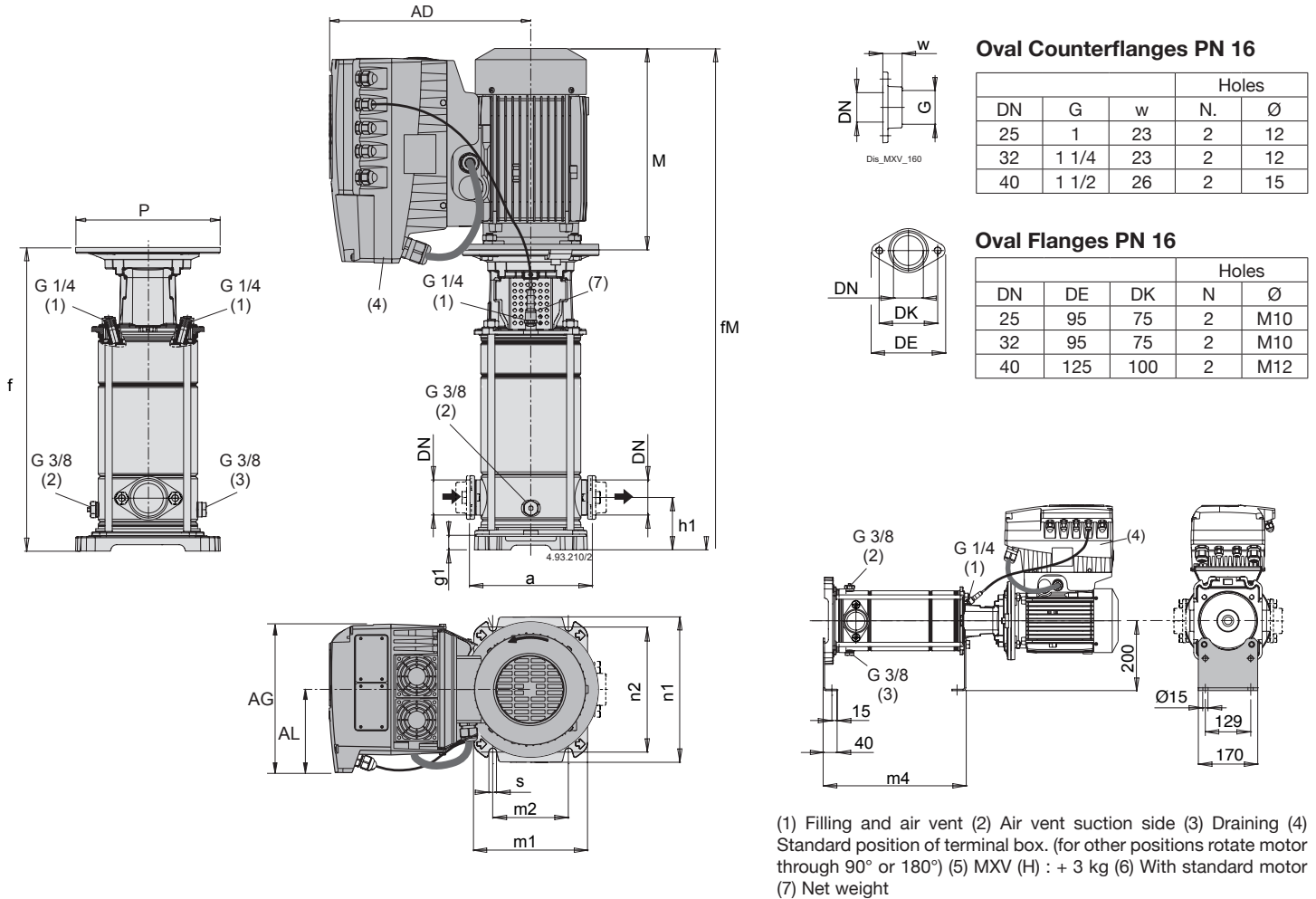
(1) Filling and air vent (2) Air vent suction side (3) Draining (4) Standard position of terminal box. (for other positions rotate motor through 90° or 180°) (5) MXV (H) : + 3 kg (6) With standard motor (7) Net weight

Data also valid for MXVL (1.4401 EN 10088 (AISI 316))

TYPE	Motor		mm																	Kg (5)
	kW	HP	DN1	DN2	M	fM	P	AD	AG	AL	a	h1	f	g1	n1	n2	m1	m2	s	
MXV EI 25-304	0,75	1	25	25	255	637.5	200	286	190	105	250	75	382.5	35.5	205	180	165	100	13	36.8
MXV EI 25-305	0,75	1	25	25	255	661.5	200	286	190	105	250	75	406.5	35.5	205	180	165	100	13	-
MXV EI 25-306	1,1	1,5	25	25	255	685.5	200	286	190	105	250	75	430.5	35.5	205	180	165	100	13	-
MXV EI 25-307	1,1	1,5	25	25	255	709.5	200	286	190	105	250	75	454.5	35.5	205	180	165	100	13	41.3
MXV EI 25-308	1,5	2	25	25	255	733.5	200	286	190	105	250	75	478.5	35.5	205	180	165	100	13	43.4
MXV EI 25-310	1,5	2	25	25	255	782	200	286	190	105	250	75	527	35.5	205	180	165	100	13	49
MXV EI 25-312	2,2	3	25	25	295	870.5	200	286	210	118	250	75	575.5	35.5	205	180	165	100	13	-
MXV EI 25-314	2,2	3	25	25	295	918.5	200	286	210	118	250	75	623.5	35.5	205	180	165	100	13	52.1
MXV EI 25-316	3	4	25	25	316	988	250	294	210	118	250	75	672	35.5	205	180	165	100	13	61.5
MXV EI 32-504	1,1	1,5	32	32	255	637.5	200	286	190	105	250	75	382.5	35.5	205	180	165	100	13	42.2
MXV EI 32-505	1,1	1,5	32	32	255	661.5	200	286	190	105	250	75	406.5	35.5	205	180	165	100	13	43
MXV EI 32-506	1,5	2	32	32	255	685.5	200	286	190	105	250	75	430.5	35.5	205	180	165	100	13	43.5
MXV EI 32-507	1,5	2	32	32	255	709.5	200	286	190	105	250	75	454.5	35.5	205	180	165	100	13	43.8
MXV EI 32-508	2,2	3	32	32	295	773.5	200	286	210	118	250	75	478.5	35.5	205	180	165	100	13	49
MXV EI 32-510	2,2	3	32	32	295	822	200	286	210	118	250	75	527	35.5	205	180	165	100	13	50.2
MXV EI 32-512	3	4	32	32	311	886.5	250	294	210	118	250	75	575.5	35.5	205	180	165	100	13	60
MXV EI 32-514	3	4	32	32	311	934.5	250	294	210	118	250	75	623.5	35.5	205	180	165	100	13	64.2
MXV EI 32-516	4	5,5	32	32	311	983	250	294	210	118	250	75	672	35.5	205	180	165	100	13	70
MXV EI 40-904	1,5	2	40	40	255	666.5	200	286	190	105	280	80	411.5	30.5	250	215	190	130	14	44.6
MXV EI 40-905	2,2	3	40	40	295	736.5	200	286	210	118	280	80	441.5	30.5	250	215	190	130	14	49.5
MXV EI 40-906	2,2	3	40	40	295	766.5	200	286	210	118	280	80	471.5	30.5	250	215	190	130	14	50.3
MXV EI 40-907	3	4	40	40	311	812.5	250	294	210	118	280	80	501.5	30.5	250	215	190	130	14	-
MXV EI 40-908	3	4	40	40	311	843	250	294	210	118	280	80	532	30.5	250	215	190	130	14	59.5
MXV EI 40-910	4	5,5	40	40	311	903	250	294	210	118	280	80	592	30.5	250	215	190	130	14	64
MXV EI 40-911	4	5,5	40	40	311	937	250	294	210	118	280	80	622	30.5	250	215	190	130	14	65.6
MXV EI 40-913	5,5	7,5	40	40	339	1108.5	250	321	210	118	280	80	769.5	30.5	250	215	190	130	14	-
MXV EI 40-915	5,5	7,5	40	40	339	1169	300	321	210	118	280	80	830	30.5	250	215	190	130	14	94.7



Dimensions and weights

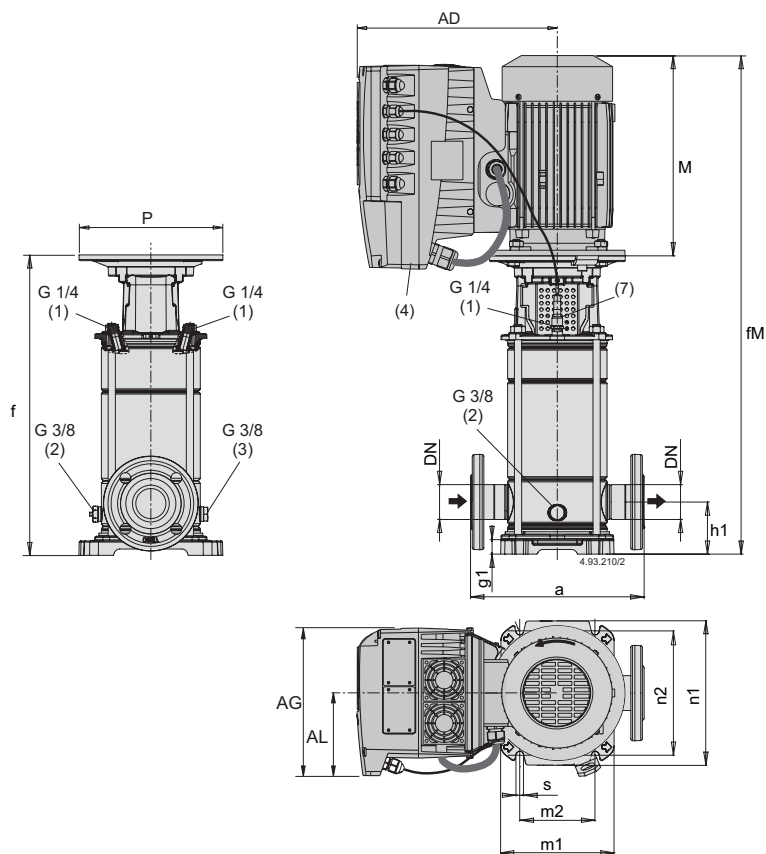


Data also valid for MXVL (1.4401 EN 10088 (AISI 316))

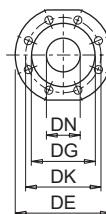
TYPE	Motor		mm																	Kg (5)
	kW	HP	DN1	DN2	M	fM	P	AD	AG	AL	a	h1	f	g1	n1	n2	m1	m2	s	
MXV EI 25-304 O	0,75	1	25	25	255	622	200	286	190	105	160	50	367	20	205	180	165	100	13	-
MXV EI 25-305 O	0,75	1	25	25	255	646	200	286	190	105	160	50	391	20	205	180	165	100	13	-
MXV EI 25-306 O	1,1	1,5	25	25	255	670	200	286	190	105	160	50	415	20	205	180	165	100	13	-
MXV EI 25-307 O	1,1	1,5	25	25	255	694	200	286	190	105	160	50	439	20	205	180	165	100	13	38,5
MXV EI 25-308 O	1,5	2	25	25	255	718	200	286	190	105	160	50	463	20	205	180	165	100	13	40,4
MXV EI 25-310 O	1,5	2	25	25	255	766,5	200	286	190	105	160	50	511,5	20	205	180	165	100	13	42,6
MXV EI 25-312 O	2,2	3	25	25	295	855	200	286	190	105	160	50	560	20	205	180	165	100	13	53
MXV EI 25-314 O	2,2	3	25	25	295	903	200	286	190	105	160	50	608	20	205	180	165	100	13	-
MXV EI 32-504 O	1,1	1,5	32	32	255	622	200	286	190	105	160	50	367	20	205	180	165	100	13	-
MXV EI 32-505 O	1,1	1,5	32	32	255	946	200	286	190	105	160	50	391	20	205	180	165	100	13	36,9
MXV EI 32-506 O	1,5	2	32	32	255	670	200	286	190	105	160	50	415	20	205	180	165	100	13	41
MXV EI 32-507 O	1,5	2	32	32	255	694	200	286	190	105	160	50	439	20	205	180	165	100	13	-
MXV EI 32-508 O	2,2	3	32	32	295	758	200	286	210	118	160	50	463	20	205	180	165	100	13	-
MXV EI 32-510 O	2,2	3	32	32	295	806,5	200	286	210	118	160	50	511,5	20	205	180	165	100	13	46,5
MXV EI 32-512 O	3	4	32	32	311	871	250	294	210	118	160	50	560	20	205	180	165	100	13	-
MXV EI 32-514 O	3	4	32	32	311	919	250	294	210	118	160	50	608	35,5	205	180	165	100	13	57
MXV EI 40-904 O	1,5	2	40	40	255	666,5	200	286	190	105	200	80	411,5	30,5	250	215	190	130	14	41,3
MXV EI 40-905 O	2,2	3	40	40	295	736,5	200	286	210	118	200	80	441,5	30,5	250	215	190	130	14	-
MXV EI 40-906 O	2,2	3	40	40	295	766,5	200	286	210	118	200	80	471,5	30,5	250	215	190	130	14	51
MXV EI 40-907 O	3	4	40	40	311	812,5	250	294	210	118	200	80	501,5	30,5	250	215	190	130	14	60,5
MXV EI 40-908 O	3	4	40	40	311	843	250	294	210	118	200	80	532	30,5	250	215	190	130	14	-
MXV EI 40-910 O	4	5,5	40	40	311	903	250	294	210	118	200	80	592	30,5	250	215	190	130	14	-
MXV EI 40-911 O	4	5,5	40	40	311	933	250	294	210	118	200	80	622	30,5	250	215	190	130	14	-
MXV EI 40-913 O	5,5	7,5	40	40	339	1108,5	300	321	210	118	200	80	769,5	30,5	250	215	190	130	14	-



Dimensions and weights

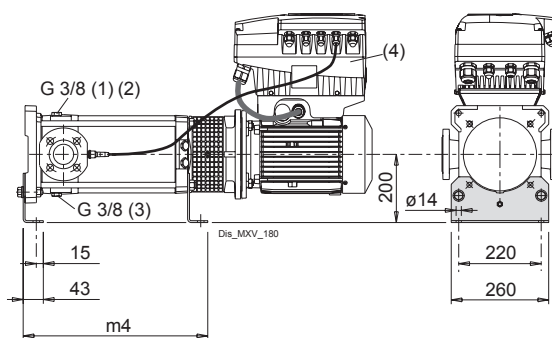


DN 65-80



Flanges EN 1092-2

				Holes	
DN	DE	DK	DG	N	Ø
65	185	145	118	8	19
80	200	160	132	8	19



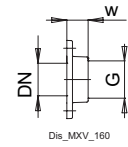
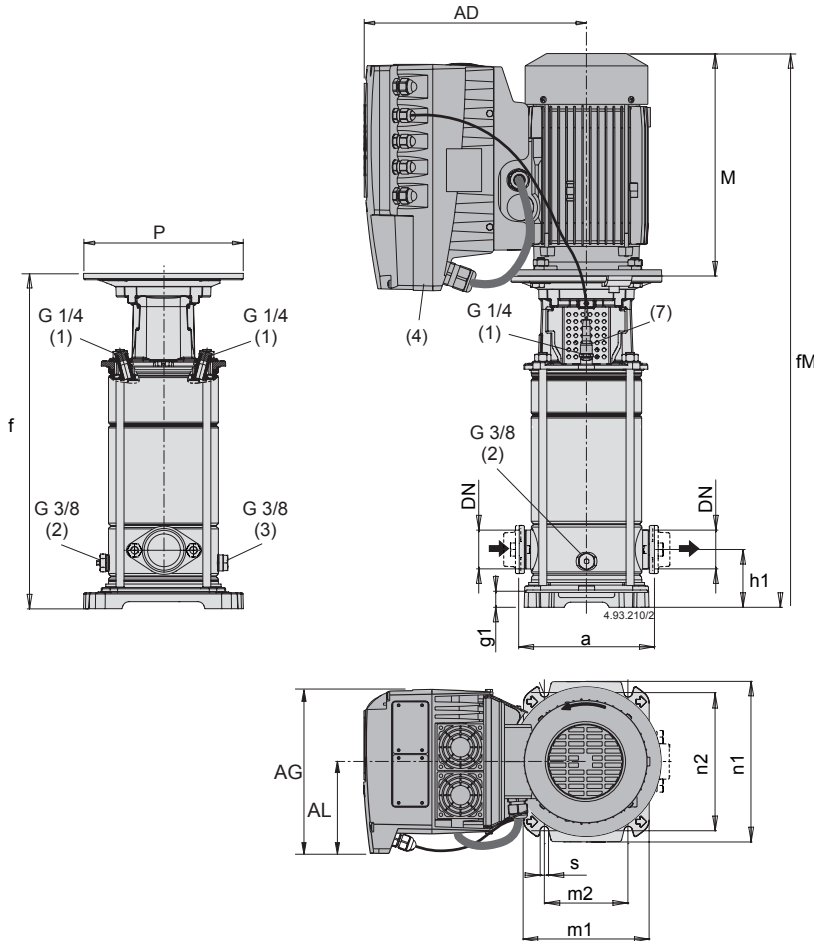
(1) Filling and air vent (2) Air vent suction side (3) Draining (4) Standard position of terminal box. (for other positions rotate motor through 90° or 180°) (5) MXV (H) : + 3 kg (6) With standard motor (7) Net weight

Data also valid for MXVL (1.4401 EN 10088 (AISI 316))

TYPE	Motor		mm																		Kg (5)
	kW	HP	DN1	DN2	M	fM	P	AD	AG	AL	a	h1	f	g1	n1	n2	m1	m2	m4	s	
MXV EI 50-1502	1,5	2	50	50	295	733	200	286	190	105	300	90	438	25	250	215	196	130	349	13	-
MXV EI 50-1503/A	2,2	3	50	50	295	781	200	286	210	118	300	90	486	25	250	215	196	130	397	13	-
MXV EI 50-1504	3	4	50	50	311	845	250	294	210	118	300	90	534	25	250	215	196	130	445	13	64.4
MXV EI 50-1505	4	5,5	50	50	311	893	250	294	210	118	300	90	582	25	250	215	196	130	493	13	68.5
MXV EI 50-1506	5,5	7,5	50	50	339	1032	300	321	210	118	300	90	693	25	250	215	196	130	541	13	94.8
MXV EI 50-1507	5,5	7,5	50	50	339	1080	300	321	210	118	300	90	741	25	250	215	196	130	589	13	96.8
MXV EI 50-1508/A	5,5	7,5	50	50	339	1128	300	321	210	118	300	90	789	25	250	215	196	130	637	13	98.3
MXV EI 50-1509	7,5	10	50	50	339	1176	300	368	281	153	300	90	837	25	250	215	196	130	685	13	112.7
MXV EI 50-1510	7,5	10	50	50	339	1224	300	368	281	153	300	90	885	25	250	215	196	130	733	13	114.5
MXV EI 50-1511	9,2	12,5	50	50	413	1376	350	393	281	153	300	90	963	25	250	215	196	130	781	13	150.3
MXV EI 50-1512	9,2	12,5	50	50	413	1424	350	393	281	153	300	90	1011	25	250	215	196	130	829	13	146.5
MXV EI 50-1513	11	15	50	50	459	1518	350	393	281	153	300	90	1059	25	250	215	196	130	877	13	-
MXV EI 50-1514	11	15	50	50	459	1566	350	393	281	153	300	90	1107	25	250	215	196	130	925	13	-
MXV EI 50-1515	11	15	50	50	459	1614	350	393	281	153	300	90	1155	25	250	215	196	130	973	13	158.5
MXV EI 50-1516	15	20	50	50	484	1687	350	471	350	190	300	90	1203	25	250	215	196	130	1021	13	-
MXV EI 50-1517	15	20	50	50	484	1735	350	471	350	190	300	90	1251	25	250	215	196	130	1069	13	218
MXV EI 50-2002	2,2	3	50	50	295	733	200	286	210	118	300	90	438	25	250	215	196	130	349	13	54.1
MXV EI 50-2003	3	4	50	50	311	797	250	294	210	118	300	90	486	25	250	215	196	130	397	13	62.2
MXV EI 50-2004	4	5,5	50	50	311	832	250	294	210	118	300	90	521	25	250	215	196	130	445	13	66.8
MXV EI 50-2005	5,5	7,5	50	50	339	984	300	321	210	118	300	90	645	25	250	215	196	130	493	13	93.4
MXV EI 50-2006	7,5	10	50	50	339	1032	300	368	281	153	300	90	693	25	250	215	196	130	541	13	108
MXV EI 50-2007	7,5	10	50	50	339	1080	300	368	281	153	300	90	741	25	250	215	196	130	589	13	109.3
MXV EI 50-2008	9,2	12,5	50	50	413	1232	350	393	281	153	300	90	819	25	250	215	196	130	601	13	140
MXV EI 50-2009	9,2	12,5	50	50	413	1280	350	393	281	153	300	90	867	25	250	215	196	130	685	13	142
MXV EI 50-2010	11	15	50	50	459	1374	350	393	281	153	300	90	915	25	250	215	196	130	733	13	-
MXV EI 50-2011	11	15	50	50	459	1422	350	393	281	153	300	90	963	25	250	215	196	130	781	13	153.4
MXV EI 50-2012	15	20	50	50	484	1495	350	471	350	190	300	90	1011	25	250	215	196	130	829	13	-
MXV EI 50-2013	15	20	50	50	484	1543	350	471	350	190	300	90	1059	25	250	215	196	130	877	13	-
MXV EI 50-2014	15	20	50	50	484	1591	350	471	350	190	300	90	1107	25	250	215	196	130	925	13	-
MXV EI 50-2015	15	20	50	50	484	1639	350	471	350	190	300	90	1155	25	250	215	196	130	973	13	-
MXV EI 50-2016	18,5	25	50	50	484	1687	350	491	350	190	300	90	1203	25	250	215	196	130	1021	13	-

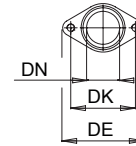


Dimensions and weights



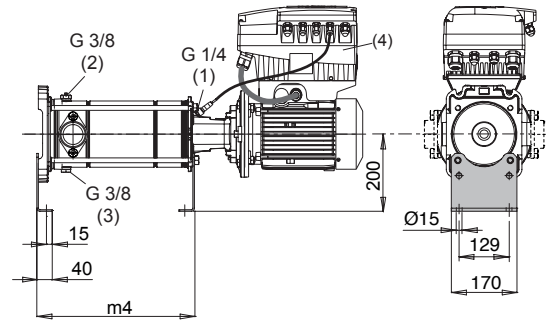
Oval Counterflanges PN 16

DN	G	w	Holes	
			N.	Ø
50	2	34	2	15



Oval Flanges PN 16

DN	DE	DK	Holes	
			N.	Ø
50	130	100	2	M12



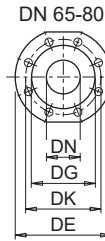
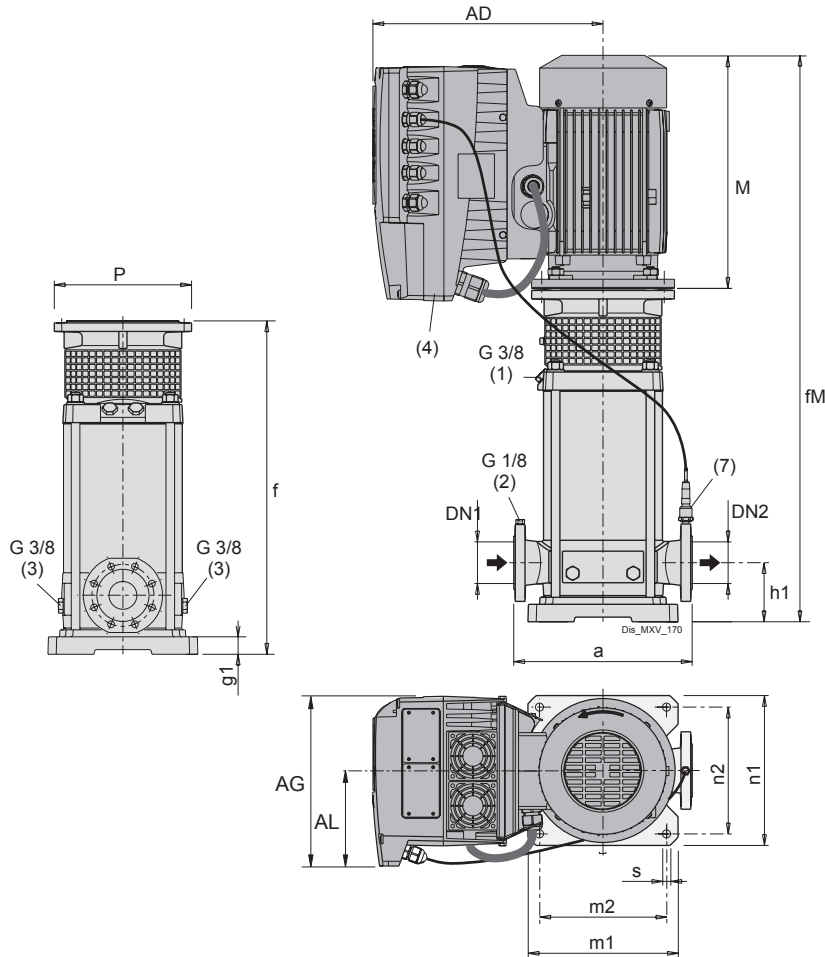
(1) Filling and air vent (2) Air vent suction side (3) Draining (4) Standard position of terminal box. (for other positions rotate motor through 90° or 180°) (5) MXV (H) : + 3 kg (6) With standard motor (7) Net weight

Data also valid for MXVL (1.4401 EN 10088 (AISI 316))

TYPE	Motor		mm																	Kg (5)	
	kW	HP	DN1	DN2	M	fM	P	AD	AG	AL	a	h1	f	g1	n1	n2	m1	m2	m4		s
MXV EI 50-1502 O	1,5	2	50	50	295	733	200	286	190	105	200	90	438	25	250	215	196	130	349	13	-
MXV EI 50-1503/A O	2,2	3	50	50	295	781	200	286	210	118	200	90	486	25	250	215	196	130	397	13	-
MXV EI 50-1504 O	3	4	50	50	311	845	250	294	210	118	200	90	534	25	250	215	196	130	445	13	-
MXV EI 50-1505 O	4	5,5	50	50	311	893	250	294	210	118	200	90	582	25	250	215	196	130	457	13	64.4
MXV EI 50-1506 O	5,5	7,5	50	50	339	1032	300	321	210	118	200	90	693	25	250	215	196	130	541	13	-
MXV EI 50-1507 O	5,5	7,5	50	50	339	1080	300	321	210	118	200	90	741	25	250	215	196	130	589	13	-
MXV EI 50-1508/A O	5,5	7,5	50	50	339	1128	300	321	210	118	200	90	789	25	250	215	196	130	637	13	-
MXV EI 50-1509 O	7,5	10	50	50	339	1176	300	368	281	153	200	90	837	25	250	215	196	130	685	13	-
MXV EI 50-1510 O	7,5	10	50	50	339	1224	300	368	281	153	200	90	885	25	250	215	196	130	733	13	-
MXV EI 50-2002 O	2,2	3	50	50	295	733	200	286	210	118	200	90	438	25	250	215	196	130	349	13	-
MXV EI 50-2003 O	3	4	50	50	311	797	250	294	210	118	200	90	486	25	250	215	196	130	397	13	-
MXV EI 50-2004 O	4	5,5	50	50	311	832	250	294	210	118	200	90	521	25	250	215	196	130	445	13	-
MXV EI 50-2005 O	5,5	7,5	50	50	339	984	300	321	210	118	200	90	645	25	250	215	196	130	493	13	-
MXV EI 50-2006 O	7,5	10	50	50	339	1032	300	368	281	153	200	90	693	25	250	215	196	130	541	13	-
MXV EI 50-2007 O	7,5	10	50	50	339	1080	300	368	281	153	200	90	741	25	250	215	196	130	589	13	-
MXV EI 50-2008 O	9,2	12,5	50	50	413	1232	350	393	281	153	200	90	819	25	250	215	196	130	637	13	-
MXV EI 50-2009 O	9,2	12,5	50	50	413	1280	350	393	281	153	200	90	867	25	250	215	196	130	685	13	-
MXV EI 50-2010 O	11	15	50	50	459	1374	350	393	281	153	200	90	915	25	250	215	196	130	733	13	-

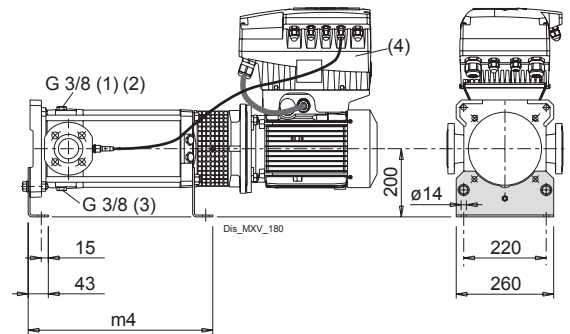


Dimensions and weights



Flanges EN 1092-2

				Holes	
DN	DE	DK	DG	N	Ø
65	185	145	118	8	19
80	200	160	132	8	19



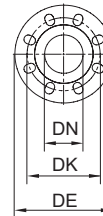
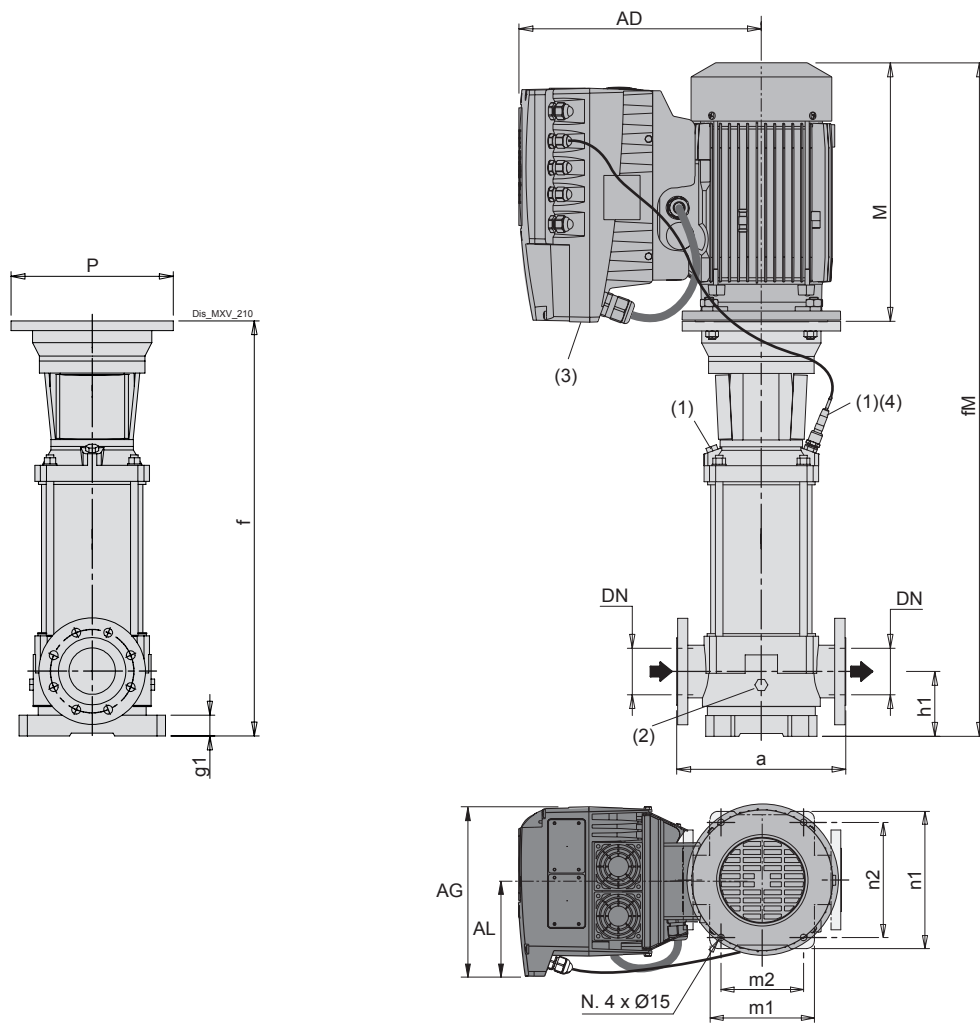
- (1) Filling and air vent (2) Air vent suction side (3) Draining (4) Standard position of terminal box. (for other positions rotate motor through 90° or 180°) (5) MXV (H) : + 3 kg (6) With standard motor (7) Net weight

Data also valid for MXVL (1.4401 EN 10088 (AISI 316))

TYPE	Motor		mm																		Kg (5)
	kW	HP	DN1	DN2	M	fM	P	AD	AG	AL	a	h1	f	g1	n1	n2	m1	m2	m4	s	
MXV EI 65-3202/D	4	5,5	65	65	311	718	250	294	210	118	320	105	407	35	260	220	260	220	334	14	79.3
MXV EI 65-3203/C	5,5	7,5	65	65	339	812	300	321	210	118	320	105	473	35	260	220	260	220	380	14	100
MXV EI 65-3204/C	7,5	10	65	65	339	858	300	368	281	153	320	105	519	35	260	220	260	220	426	14	115
MXV EI 65-3205/D	11	15	65	65	459	1054	350	393	281	153	320	105	595	35	260	220	260	220	472	14	157
MXV EI 65-3206/D	11	15	65	65	459	1100	350	393	281	153	320	105	641	35	260	220	260	220	518	14	168
MXV EI 65-3207/D	15	20	65	65	484	1171	350	471	350	190	320	105	687	35	260	220	260	220	564	14	-
MXV EI 65-3208/D	15	20	65	65	484	1217	350	471	350	190	320	105	733	35	260	220	260	220	610	14	221.5
MXV EI 65-3209/E	18,5	25	65	65	538	1317	350	491	350	190	320	105	779	35	260	220	260	220	656	14	229
MXV EI 65-3210/E	18,5	25	65	65	538	1363	350	491	350	190	320	105	825	35	260	220	260	220	702	14	-
MXV EI 65-3212/D	22	30	65	65	538	1455	350	491	350	190	320	105	917	35	260	220	260	220	794	14	-
MXV EI 80-4802/C	5,5	7,5	80	80	339	805	300	321	210	118	320	105	466	35	260	220	260	220	373	14	101.8
MXV EI 80-4803/C	7,5	10	80	80	339	866	300	368	281	153	320	105	527	35	260	220	260	220	434	14	120
MXV EI 80-4804/D	11	15	80	80	459	1077	350	393	281	153	320	105	618	35	260	220	260	220	495	14	169
MXV EI 80-4805/D	15	20	80	80	484	1164	350	471	350	190	320	105	680	35	260	220	260	220	557	14	205
MXV EI 80-4806/D	15	20	80	80	484	1225	350	471	350	190	320	105	741	35	260	220	260	220	618	14	202
MXV EI 80-4807/E	18,5	25	80	80	538	1340	350	491	350	190	320	105	802	35	260	220	260	220	679	14	-
MXV EI 80-4808/D	22	30	80	80	538	1402	350	491	350	190	320	105	864	35	260	220	260	220	741	14	-



Dimensions and weights



Flanges EN 1092-2

DN	PN	DE	DK	Holes	
				N	Ø
100	16	230	180	8	19
100	25	225	190	8	23

(1) Filling and Air vent | (2) Draining | (3) Standard position of I-MAT (for other positions rotate motor through 90° or 180°)

4 Net weight (5) transducer

Data also valid for MXVL (1.4401 EN 10088 (AISI 316))

TYPE	Motor		mm																	Kg (5)
	kW	HP	DN1	DN2	M	fM	P	AD	AG	AL	a	h1	f	g1	n1	n2	m1	m2	s	
MXVEI100-6501/A	5,5	7,5	100	100	339	1096	300	321	210	118	365	140	757	45	316	265	240	190	15	-
MXVEI100-6502-2R/A	7,5	10	100	100	339	1188	300	368	281	153	365	140	849	45	316	265	240	190	15	149
MXVEI100-6502/A	11	15	100	100	459	1308	350	393	281	153	365	140	849	45	316	265	240	190	15	-
MXVEI100-6503-2R/A	15	20	100	100	484	1425	350	471	350	190	365	140	941	45	316	265	240	190	15	-
MXVEI100-6503/B	18,5	25	100	100	538	1484	350	491	350	190	365	140	946	45	316	265	240	190	15	-
MXVEI100-6504-2R/B	18,5	25	100	100	538	1576	350	491	350	190	365	140	1038	45	316	265	240	190	15	260.5
MXVEI100-6504/A	22	30	100	100	538	1576	350	491	350	190	365	140	1038	45	316	265	240	190	15	264.3
MXVEI100-9001/A	7,5	10	100	100	339	1096	300	368	281	153	380	140	757	45	341	280	260	199	15	-
MXVEI100-9002-2R/A	11	15	100	100	459	1308	350	393	281	153	380	140	849	45	341	280	260	199	15	-
MXVEI100-9002/A	15	20	100	100	484	1338	350	471	350	190	380	140	854	45	341	280	260	199	15	-
MXVEI100-9003-2R/B	18,5	25	100	100	538	1484	350	491	350	190	380	140	946	45	341	280	260	199	15	-
MXVEI100-9003/A	22	30	100	100	538	1484	350	491	350	190	380	140	946	45	341	280	260	199	15	-