

Receiver

 Company
 Reference
 Address
 Phone
 Fax
 E-mail

Item n° : Customer pos. no.:

1D4111G7V

Model :

CP-G 65-2280/A/BAQE/3 3x400 50 IE3

Pump data

MEI ≥ 0,60

 Pressure rating : PN 16
 Min. fluid temperature : -10 °C
 Max. fluid temperature : 140 °C
 Max. Ambient temperature : 40 °C

Requested data

 Flow :
 Head :
 Fluid (%) :
 Fluid Temperature : 20 °C
 Density : 998,3 kg/m³
 Kinematic viscosity : 1,005 mm²/s
 Vapor pressure : 0,00 MPa

Hydraulic data (duty point)

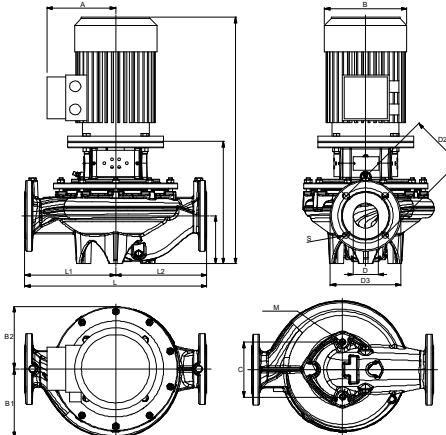
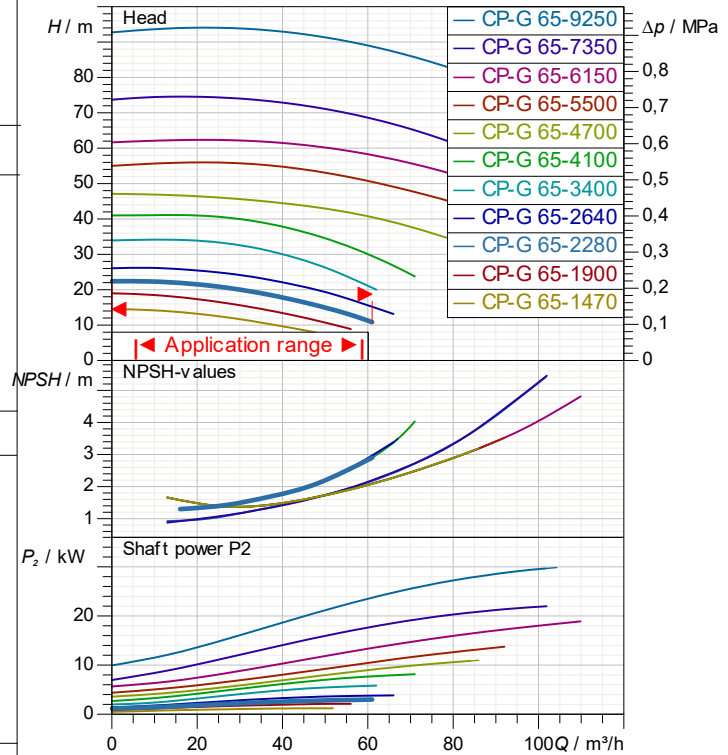
 Flow :
 Head :
 NPSH :
 Shaft power P2 :
 Efficiency :

Materials

 Pump body : Cast iron 250 UNI ISO 185
 Support : Cast iron 250 UNI ISO 185
 Impeller : Cast iron 250 UNI ISO 185
 Mechanical seal : SEE "SHAFT SEAL" SECTION
 O-Ring : EPDM Rubber
 Shaft with rotor : AISI 304 X5 Cr Ni 1810 UNI 6900/71

Motor data

 Nominal power P2 : 3 kW
 Rated speed : 2.900 1/min
 Rated voltage : 3~ 400 V 50 Hz
 Nominal current : 5,6 A
 Degree of protection : IP 55

Curve tolerance according to ISO 9906

Weight : 77 kg

Dimensions in mm

A	147	H1	107
B1	144	H2	307
B2	126	L	360
C	144	L1	180
D	65	L2	180
D2	145	M	M16
D3	185	S	4 x Ø18
H	653		

Pump connection

 Suction side : DN 65 / PN 16
 Discharge side : DN 65 / PN 16



PERFORMANCE CURVES

2026-02-03

Page 2 / 3

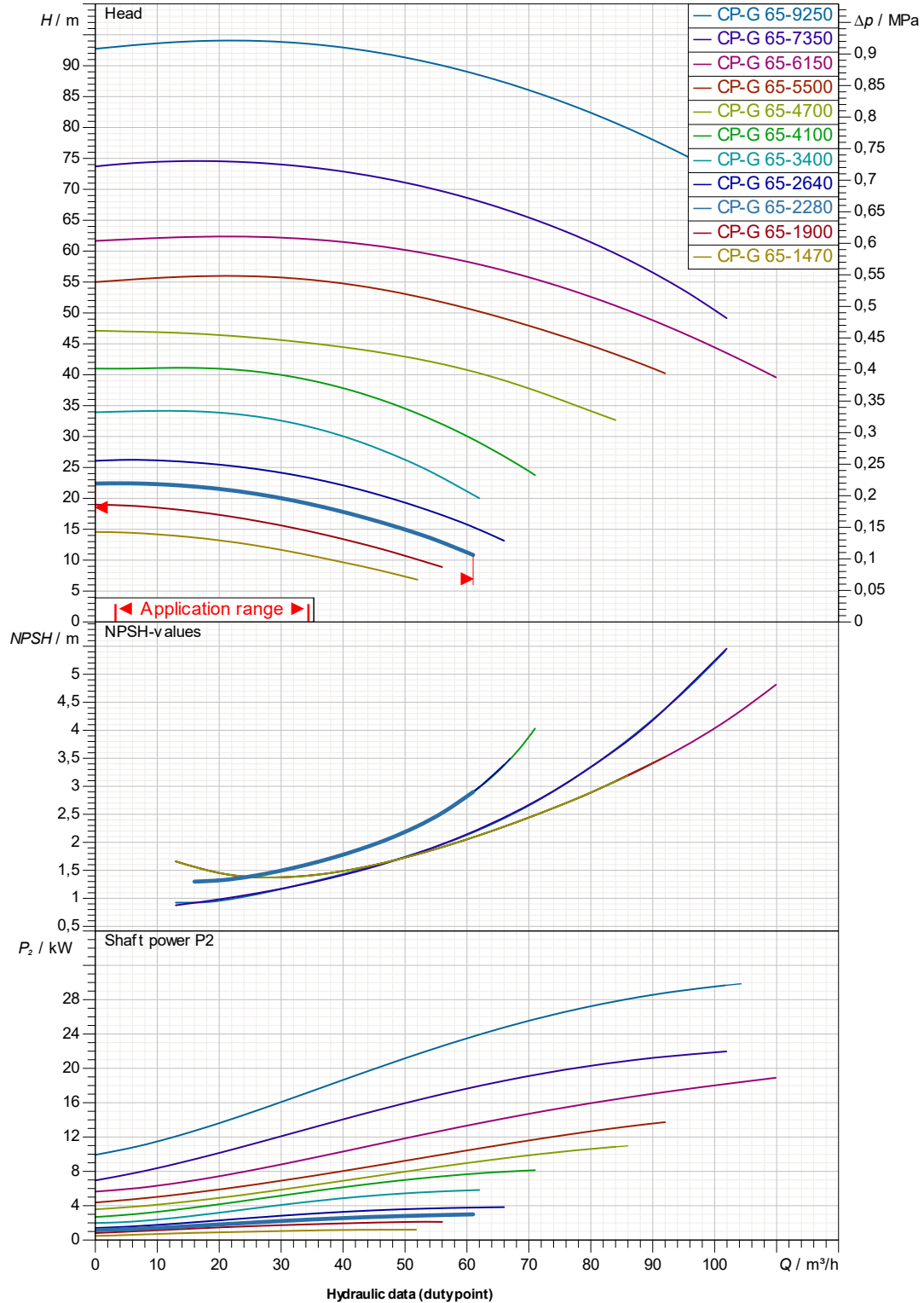
DAB PUMPS S.p.A.
Via Marco Polo, 14 - 35035 Mestrino (PD), Italy
Tel. +39 049 5125000 - Fax +39 049 5125950
www.dabpumps.com

Receiver

Company
Reference
Address
Phone
Fax
E-mail

CP-G 65-2280/A/BAQE/3 3x400 50 IE3

Curve tolerance according to ISO 9906



Suction side :
DN 65
PN 16

Discharge side :
DN 65
PN 16

Flow :

Head :

Rated speed :
2.900 1/min

MAIN_PROJECT_TITLE

BUSINESS_PROCESS_ID

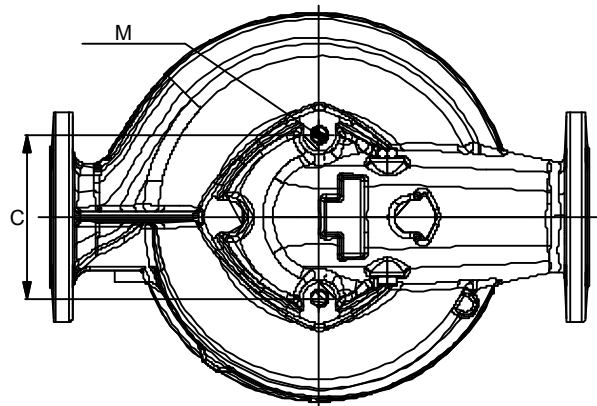
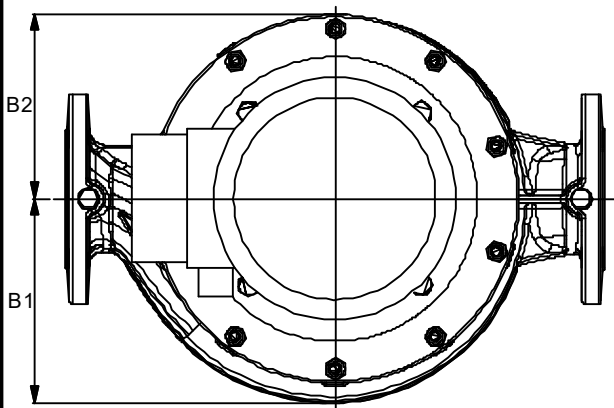
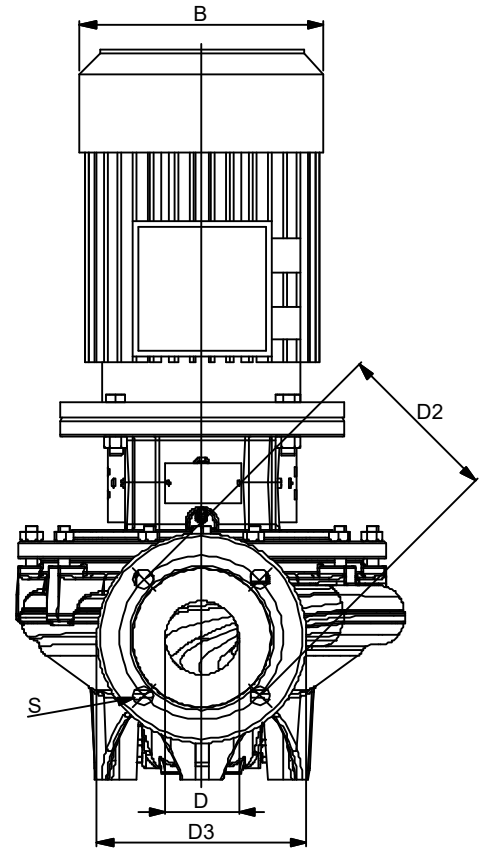
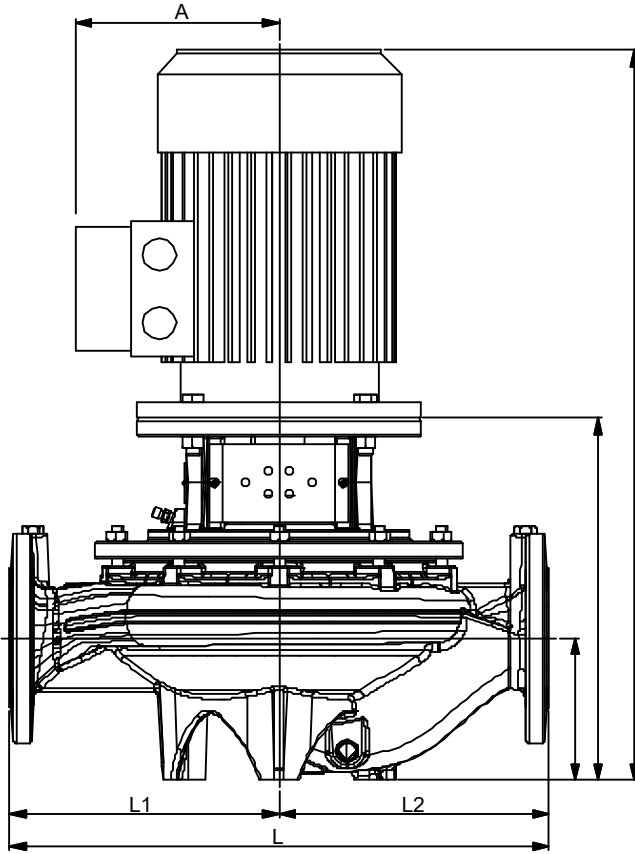
OWNER_

ISSUE_DATE

Receiver

Company
Reference
Address
Phone
Fax
E-mail

CP-G 65-2280/A/BAQE/3 3x400 50 IE3



Dimensions in mm

1	A	147	L1	180
2	B1	144	L2	180
3	B2	126	M	M16
4	C	144	S	4 x Ø18
5	D	65		
6	D2	145		
7	D3	185		
8	H	653		
9	H1	107		
10	H2	307		
11	L	360		

Pump connection

Suction
DN 65
PN 16

Discharge
DN 65
PN 16

MAIN_PROJECT_TITLE

BUSINESS_PROCESS_ID

OWNER_

ISSUE_DATE