

Tender text

Project name
Project ID

Customer
Contact
E-mail
Phone

Company
Contact
E-mail
Phone

2026-04-28

Page 1 / 3

Pos.no	Description	Item no.	Qty.	UP / EUR	TP / EUR
	Submersible motor pump				
	AmaPorter F 613 ND	39100425	1	5702.31	5702.31
	AmaPorter				
	KSB submersible motor pump for waste water applications				
	Vertical submersible motor pump set for wet installation, single-stage, with single-phase or three-phase motor to IEC standards. Thermal motor protection, power cable with resin-sealed, absolutely water-tight cable entry and service-friendly plug-type connection in the motor space.				
	Pump set:				
	Make	: KSB			
	Type	: AmaPorter			
	Impeller	: F			
	Impeller diameter	: 146.00 mm			
	Free passage	: 65 mm			
	Operating data:				
	Fluid handled	: Water			
	Flow rate	:			
	Head	:			
	Power input	: 5.40 kW			
	Operating temperature	: max. 40 °C			
	Drive:				
	Nominal voltage	: 3~400 V			
	Nominal frequency	: 50.00 Hz			
	Starting method	: DOL			
	Enclosure	: IP68 to EN 60529 / IEC 529, thermal class F			
	Max. fluid temperature	: 40 degrees Celsius			
	Thermal motor protection	: Temperature bimetal switch			
	Leakage sensor in the motor space	: No			
	Efficiency class	: Not specified			
	Duty type	: S1 submerged			
	Nominal motor power P2	: 4.2 kW			
	Nominal motor power P1	: 5.401 kW			
	Motor efficiency	: 77.77 %			
	Nominal current	: 9 A			
	Speed	: 2900 1/min			

Tender text

Project name
Project ID

Customer
Contact
E-mail
Phone

Company
Contact
E-mail
Phone

2026-04-28

Page 2 / 3

Pos.no	Description	Item no.	Qty.	UP / EUR	TP / EUR
	Cable length	: 10 m			
	Cable entry	: Cable entry with individually stripped, resin-embedded cores and service-friendly plug-type connection inside the motor			
	Materials:				
	Pump casing Class 35B)	: Grey cast iron EN-GJL-250 (A 48			
	Impeller Class 35B)	: Grey cast iron EN-GJL-250 (A 48			
	Pump shaft / motor shaft	: Chrome steel 1.4021+QT800			
	Sealing elements	: Nitrile rubber NBR			
	Coating	: Two-component epoxy resin, RAL 5002			
	Shaft seal:				
	Shaft seal type	: Two mech. Seals in tandem SIC/SIC			
	Pump end	: SIC/SIC mechanical seal			
	Drive end	: Carbon/AL2O3 mechanical seal			
	Oil fill	: Environment-friendly, non-toxic oil			
	Dimensions and connections:				
	Nominal diameter, discharge side	: DN 65			
	Nominal diameter, suction side	: DN 65			
	Purchase order information:				
	Net pump weight approx.	: 59 kg			
	Make	: KSB			
	Type series / Size	: AmaPorter F 613 ND / 613f			
	Material price group	: 48			
	Material number	: 39100425			

Data sheet: technical data

Project name
Project ID

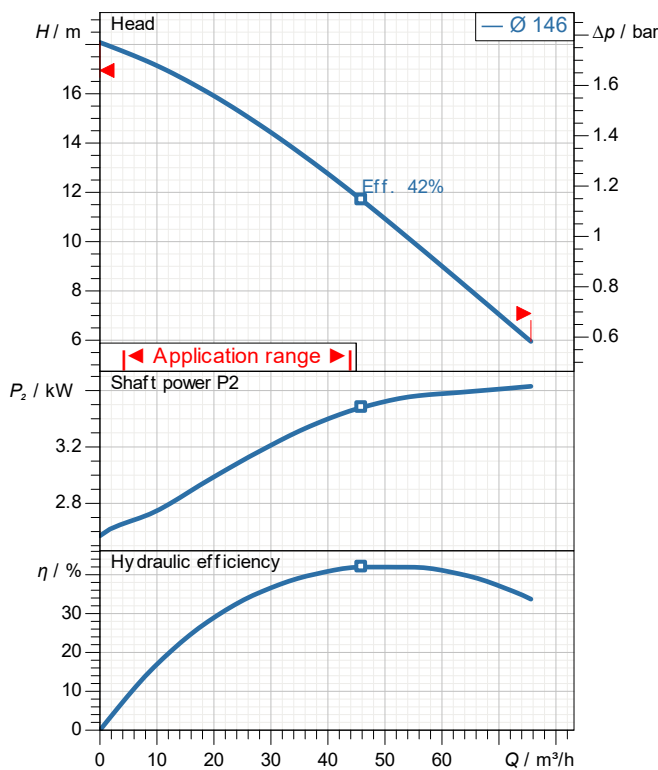
Item-No.
Design Submersible motor pump
Type / Coding AmaPorter F 613 ND

Customer
Contact
E-mail
Phone

Company
Contact
E-mail
Phone

2026-04-28

Page 3 / 3



demand data

Flow
Total head
Geodetic head
Media Water
Liquid temperature 20 °C

Pump data

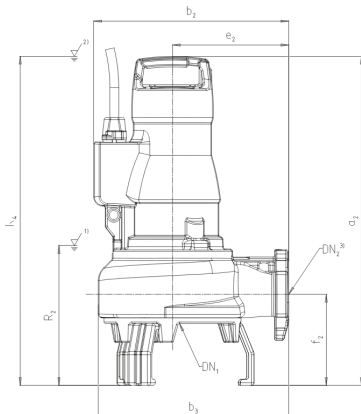
Make KSB
Type AmaPorter F 613 ND
Design Submersible motor pump
Specific design Single head pump
No. of pumps 1
Standby pump No
Max. fluid temperature 40 °C

Hydraulic data (Duty point)

Flow
Head

Material / sealing element

Pump casing Grey cast iron EN-GJL-250 (A48 Class 35B)
Shaft Chrome steel 1.4021+QT800
Impeller Grey cast iron EN-GJL-250 (A48 Class 35B)
O-ring Nitrile rubber NBR
Motor cable Chloroprene rubber
Bolt/screw Stainless steel A2-70



Dimensions

Discharge flange standard DN 65

Rated motor data

Power input (P1) 5.4 kW
Rated power (Pn) 4.2 kW
Speed 2900 1/min
Rated voltage 400 V
Rated current (In) 9 A

Product information

Identnummer 39100425
Weight loaded 59 kg
Gross price 5702.31 EUR
PL2026-04-28
Price group 48