

Code: 6001030000000**Description:** NM 25/12B/A**Pump data:**

H max (m): 19.30
H min (m): 10.00
Q min (mc/h): 2.40
Q max (mc/h): 12.00
Impeller diameter (mm): 121.00
N. of impellers: 1
Weight (kg): 12,50

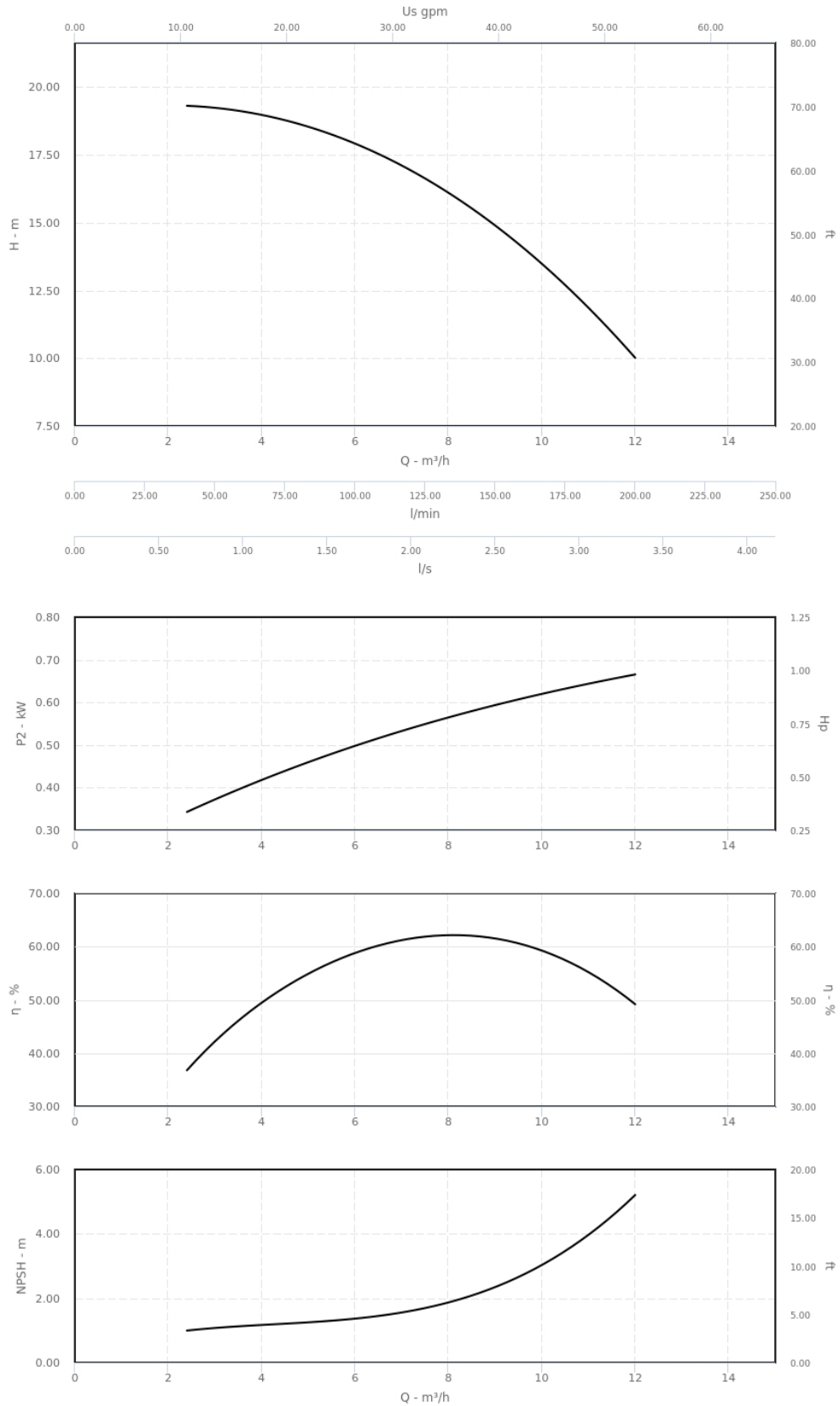
Construction materials:

Pump Casing: Cast iron GJL 200 EN 1561
Lantern bracket: Cast iron GJL 200 EN 1561
Impeller:: Brass P-Cu Zn 40 Pb 2 UNI 5705
Shaft: Chrome steel 1.4105 EN 10088 (AISI 430F)
Mechanical Seal: Carbon-Ceramic-NBR

Motor data:

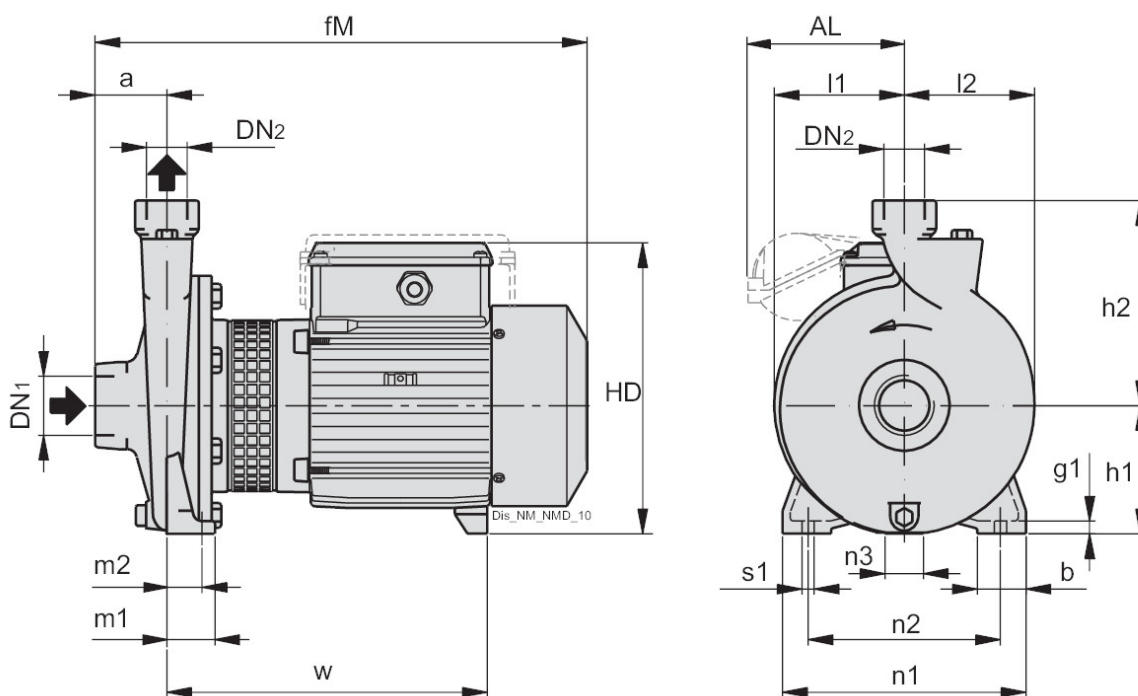
n (rpm): 2900
Pn (kW): 0.55
Pn (HP): 0.75
Motor type: IM
Motor phases: 3~
Un (V): 230/400
fn (Hz): 50
Motor poles: 2
In (A): 2.8 / 1.6
Insulation class: F
Service: S1
Efficiency Index (EI): IE2-74.1
Ingress protection: IP 54

curve calculate secondo ISO-TR 17766:2005



Dimensions (mm)

a: 56.00 mm
b: 38.00 mm
fM: 313.00 mm
g1: 11.00 mm
h1: 90.00 mm
h2: 140.00 mm
l1: 85.00 mm
l2: 88.00 mm
m1: 37.50 mm
m2: 27.50 mm
n1: 170.00 mm
n2: 130.00 mm
n3: 20.00 mm
HD: 203.00 mm
dn1: G 1 1/2"
dn2: G 1"
s1: 9.5



NM, NMD

Close coupled centrifugal pumps with screwed connections

**CONSTRUCTION**

Close-coupled, centrifugal pumps; electric motor with extended shaft directly connected to the pump.

NM: single-impeller

NMD: with two back-to-back impellers (with axial thrust balancing).

Connections: threaded ports ISO 228/1 (BS 2779).

NM, NMD: version with pump casing and lantern bracket in cast iron.

BNM, BNMD: version with pump casing and lantern bracket in bronze.

The pumps are supplied fully painted.

APPLICATION

For clean liquids without abrasives, which are non-aggressive for the pump materials (solids content up to 0.2%).

For water supply.

For heating, air-conditioning, cooling and circulation plants.

For civil and industrial applications.

For irrigation.

OPERATING CONDITIONS

Liquid temperature from -10 °C to +90 °C.

Ambient temperature up to 40° C.

Total suction lift up to 7 m.

Maximum permissible working pressure up to 10 bar (16 bar for pumps NMD 25/190; NMD 32/210; NMD 40/180).

Continuous duty.