

AR\_s414-09\_v01



P	Code	Description	Q	Assembly prescription	Validity	P	Code	Description	Q	Assembly prescription	Validity
1	4149223	Head assembly	Ø 12	1		42	3800310	Screw	1	STEI M4X4	
2	4140650	Head		1		43	740290	O-ring	1	Ø 14x1,78	Lubricate with grease Molykote PG54
3	2760260	Plug	1/4" G	1	Loxeal 55-14	44	820510	O-ring	1	Ø 10,82x1,78	
4	2841800	Plug		1	C=8Nm / Loxeal 55-14	45	3800230	Piston	1	lower	C=3Nm / Loxeal 55-14
5	3700250	O-ring	Ø 8x1,1	1	Lubricate with grease Molykote PG54 / 80 Sha	46	2841080	Seat	1		
6	2840130	Plug		6	C=25Nm / Loxeal 55-14	47	1470210	O-ring	1	Ø 9x1	
7	2841520	O-ring	Ø 13,5x1,8	6		51	3720730	Plug	1		
8	2849051	Complete valve	plastic	6		52	1682800	O-ring	1	Ø 6x1,5	
9	2760230	Fitting	3/8" G (M)	1	C=40Nm / Loxeal 55-14	55	3721210	Seat	1		
10	394280	O-ring	Ø 12,42x1,78	1	Lubricate with grease Molykote PG54	56	3720750	O-ring	1	Ø 4x1	
11	2760270	O-ring	Ø 12x1	1	Lubricate with grease Molykote PG54	60	4140010	Pump body	1		
12	1470210	O-ring	Ø 9x1	1		61	1345180	Screw	8	TCEI M5x40	C=6,2Nm
13	2760240	Injector	Ø 1,8	1		62	4140140	Washer	8		
14	2760200	Spring		1		63	4140210	Oil plug	1	with oil dipstick	
15	2761511	Shutter		1		64	2841800	Plug	1	C=8Nm / Loxeal 55-14	
16	2101770	O-ring	Ø 4x2,5	1	90 Sh	65	3700250	O-ring	1	Ø 8x1,1	Lubricate with grease Molykote PG54 / 80 Sha
17	3700240	Hose tail	Ø 8	1	C=4Nm	66	4140090	O-ring	1		
18	480480	O-ring	Ø 4,48x1,78	1		67	4140270	Screw	4	TE 5x8	
19	1250280	Ball		1		68	4140060	Piston	3	Ø 12	
20	1560520	Spring		1		69	4140070	Pin	3		
21	3700250	O-ring	Ø 8x1,1	1	Lubricate with grease Molykote PG54 / 80 Sha	70	4140080	Connecting-rod	3	aluminium	Lubricate with grease Molykote BR2 PLUS
22	2200141	Water seal	Ø 12	6		71	4140030	Cover	1		
24	2840550	Bushing	Ø 12	3		75	4140110	Bearing	1		
25	770590	O-ring	Ø 21,95x1,78	3	Lubricate with grease Molykote PG54	77	4140360	Ring	2	seeger Øi 47	
26	2841390	Bushing	rear Ø 12	3		78	4140150	Cover	1		
27	1683500	Oil seal		3		79	3201960	Flange	1		
30	3800250	Screw	TSEI M4x8	1	C=3Nm / Loxeal 55-14	80	1260780	Screw	4	TCEI M5x25	C=5Nm
31	3800180	Knob		1		81	880280	Screw	4	TCEI M6x18	C=10Nm / Loxeal 55-14
32	3800200	Nut	M16x1	1		85	4140280	Shaft	1	2 marked	
33	3800240	Screw	STEI M3x4	1		86	1380520	Key	1		
34	3800190	Screw		1		87	4140190	Ring	1		
35	2760410	Spring		1	Lubricate with grease Molykote BR2 PLUS	88	4140100	Bearing	1		
36	1980220	Wobble plate		1		89	4140200	Oil seal	1		
37	4140170	Piston		1	Lubricate with grease Molykote PG54	90	1120681	O-ring	1	Ø 3,39x1,78	Lubricate with grease Molykote G807
38	2260100	O-ring	Ø 6,02x2,62	1	Lubricate with grease Molykote PG54	91	4140420	Pin	1		
39	660190	O-ring	Ø 6,07x1,78	1	Lubricate with grease Molykote PG54	92	2260460	Spring	1		
40	2760210	Ring	anti-extrusion	1		93	2021650	Washer	1		
41	3800210	Piston guide		1	C=15Nm / Loxeal 55-14	94	1260820	O-ring	1	Ø 1,78x1,78	Lubricate with grease Molykote G807

Revision: 1

Oil type: SAE 15W40

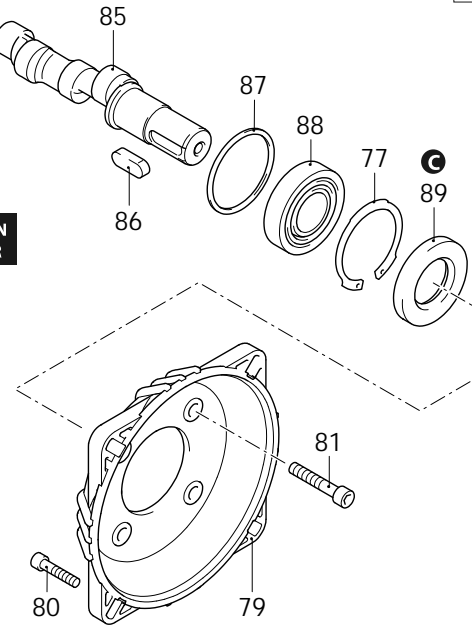
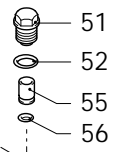
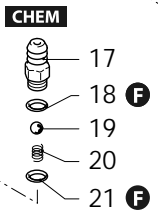
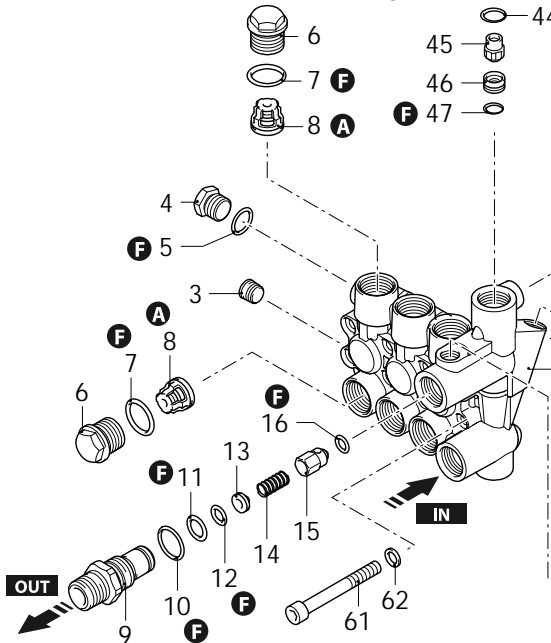
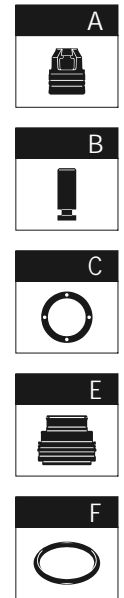
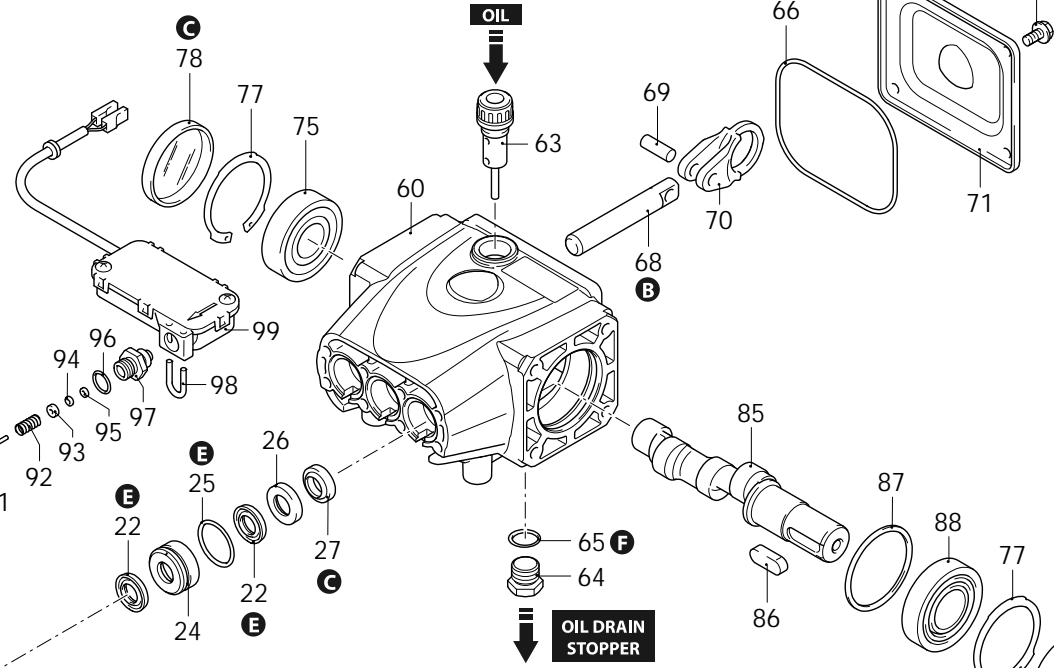
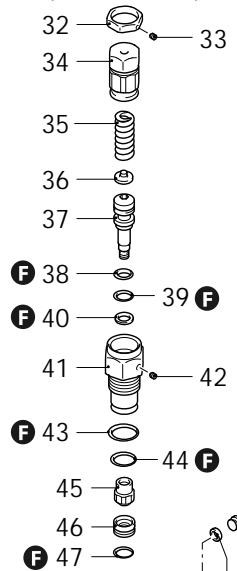
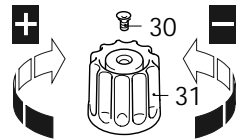
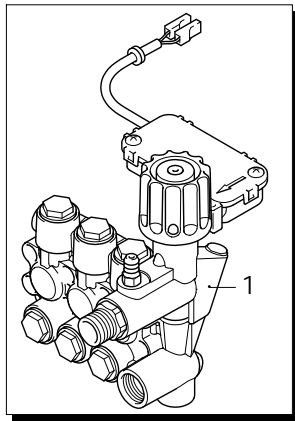
Validity: < XX/YY = From week/year

Date: 06/03/2026

Oil quantity: 0,154 Kg

C= Tightening torque (Tolerance +0 ÷ -10%)

\* = Not present for electric pump



AR\_s414-09\_v01



Series 414

# HJRS

## 2800rpm

P	Code	Description	Q	Assembly prescription	Validity	P	Code	Description	Q	Assembly prescription	Validity
95	3740050	Ring	anti-extrusion	1	Lubricate with grease Molykote PG54						
96	600180	O-ring	Ø 7,66x1,78	1							
97	4140480	Fitting		1							
98	2022201	Fork		1							
99	2029752	TSS box assembly	A marked	1							
A	43478	Valve kit		1							
B	43479	Piston kit	Ø 12	1							
C	43480	Oil seal kit		1							
E	43481	Water seal kit	Ø 12	1							
F	43482	Gasket kit		1							

Revision: 1

Oil type: SAE 15W40

Validity: < XX/YY = From week/year

Date: 06/03/2026

Oil quantity: 0,154 Kg

*C= Tightening torque (Tolerance +0 ÷ -10%)*

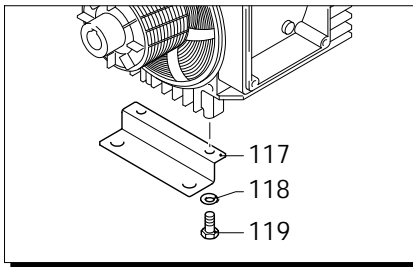
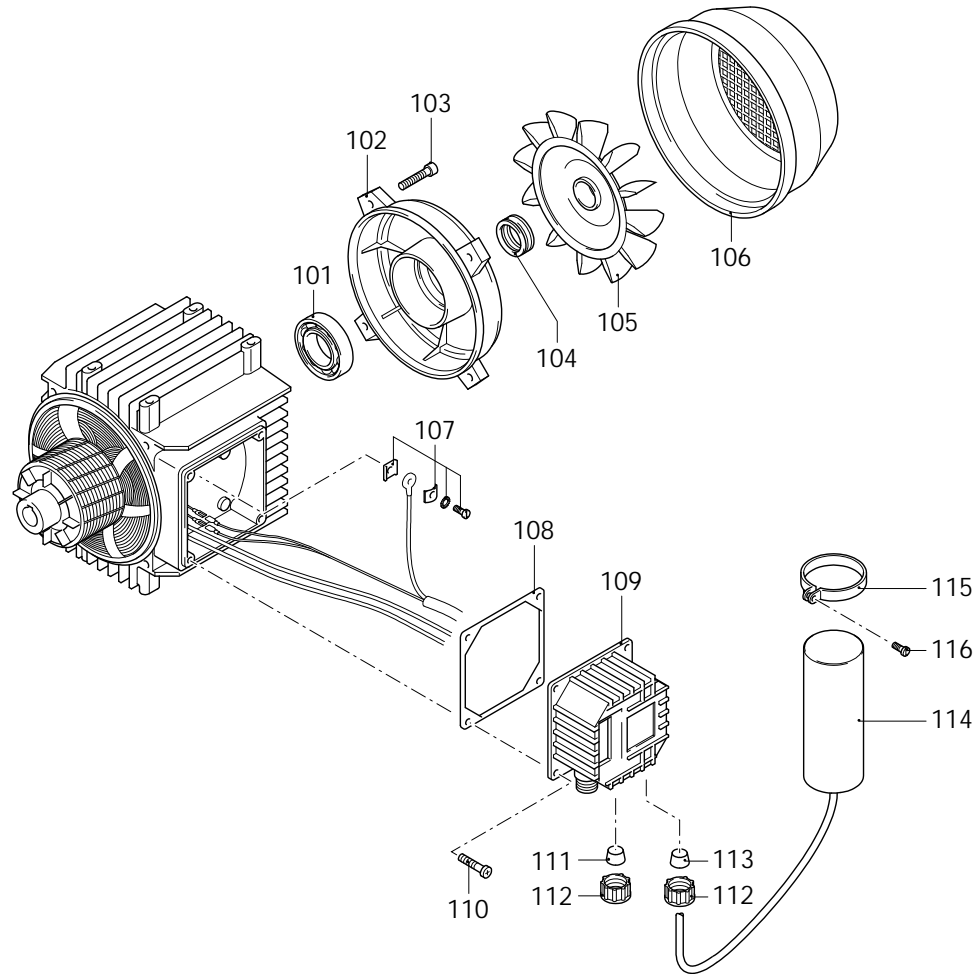
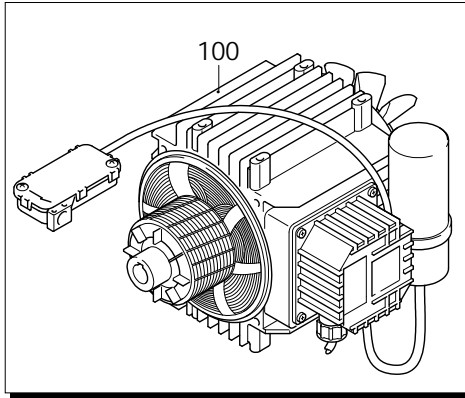
*\* = Not present for electric pump*



Series 414

# HJRS

## 2800rpm



AR\_motore-01\_v01

06/03/2026



Series 414

# HJRS

## 2800rpm

P	Code	Description	Q	Assembly prescription	Validity	P	Code	Description	Q	Assembly prescription	Validity
100	45164	Motor	L=120	1	3,15 HP						
101	1340340	Bearing		1							
102	1345140	Shield		1							
103	1345180	Screw	TCEI M5x40	1	C=6,2Nm						
104	1340350	Seal		1							
105	1260300	Fan		1							
106	1342040	Fan cowling		1							
107	1269100	Clamp		1							
108	1340780	Gasket		1							
109	1341831	Box		1							
110	1261560	Screw	TC 3,9x16	1							
111	1340660	Gland		1							
112	1340640	Ring nut		2							
113	1340650	Gland		1							
114	1263520	Capacitor	40 µF	1							
115	1982550	Clamp		1							
116	1261560	Screw	TC 3,9x16	1							
117	1341840	Foot		2							
118	550331	Washer	Z/B	4							
119	320350	Screw	TE M6x12	4	C=10Nm						

Revision: 1

Oil type: SAE 15W40

Validity: < XX/YY = From week/year

Date: 06/03/2026

Oil quantity: 0,154 Kg

C= Tightening torque (Tolerance +0 ÷ -10%)

\* = Not present for electric pump