

Kiekis	Aprašymas
--------	-----------

1

CU 302



Atkreipkite dėmesį! Paveikslėlyje parodytas produktas gali skirtis nuo tikrojo

Produkto Nr.: [92799797](#)

CU 302 is designed for monitoring and controlling SQE submersible pumps in residential water supply applications.

The simple user interface and built-in Bluetooth module ensure easy installation and configuration. The Bluetooth connection to the Grundfos GO app offers extensive setup and monitoring options.

CU 302 is pre-configured for constant pressure, which is the most used application, offering a plug-and-pump solution, which saves time on commissioning.

For other applications, the controller provides several control modes, which can be selected and set through the Grundfos GO app.

Grundfos GO makes the configuration easier and allows installers to set up high-performing systems.

CU 302 communicates with the pump through the power cable. This communication principle is called power-line communication and means that no additional cables are required to the pump.

Grundfos GO offers detailed information and logs that help the installer find the root cause in failure situations.

In addition, the controller can use Wi-Fi, GENiBus or Modbus to monitor the system remotely either through Grundfos Connect or another SCADA system. Remote monitoring saves time for inspection of installations.

CU 302 is equipped with power and pump connections and offers two configurable inputs and outputs.

The display of the controller shows:

- system status indication
- alarm and warning indication.

The pump can be turned on and off on the display of the controller. The controller can display a read-out of application-related data. It is also possible to adjust the setpoint.

The following logs are available through Grundfos GO or remote monitoring:

- alarms and warnings (50 entries)
- installation log (completed by the installer).
- Historic data for different intervals (total, today and yesterday) for:
 - operating time
 - number of starts
 - energy consumption
 - volume pumped (provided that a flow meter is connected).

CU 302 indicates warnings and alarms on the display of the controller. Additionally, the Grundfos GO app provides further information on these events, including recommended solutions.

Įmonės pavadinimas:

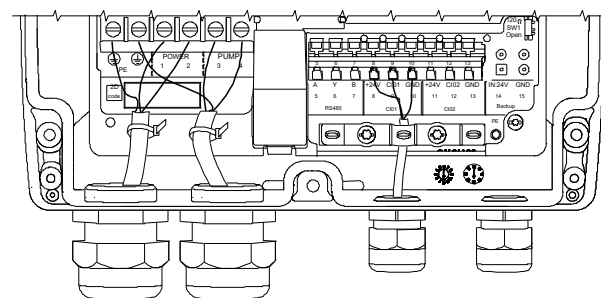
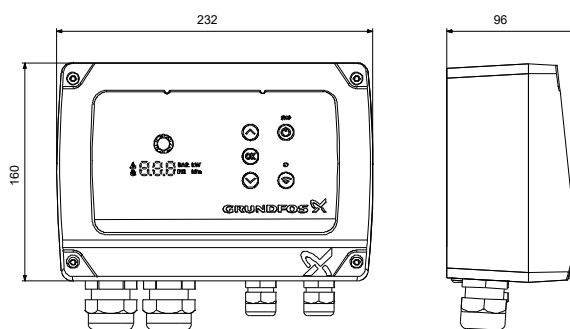
Paruošė:

Telefonas:

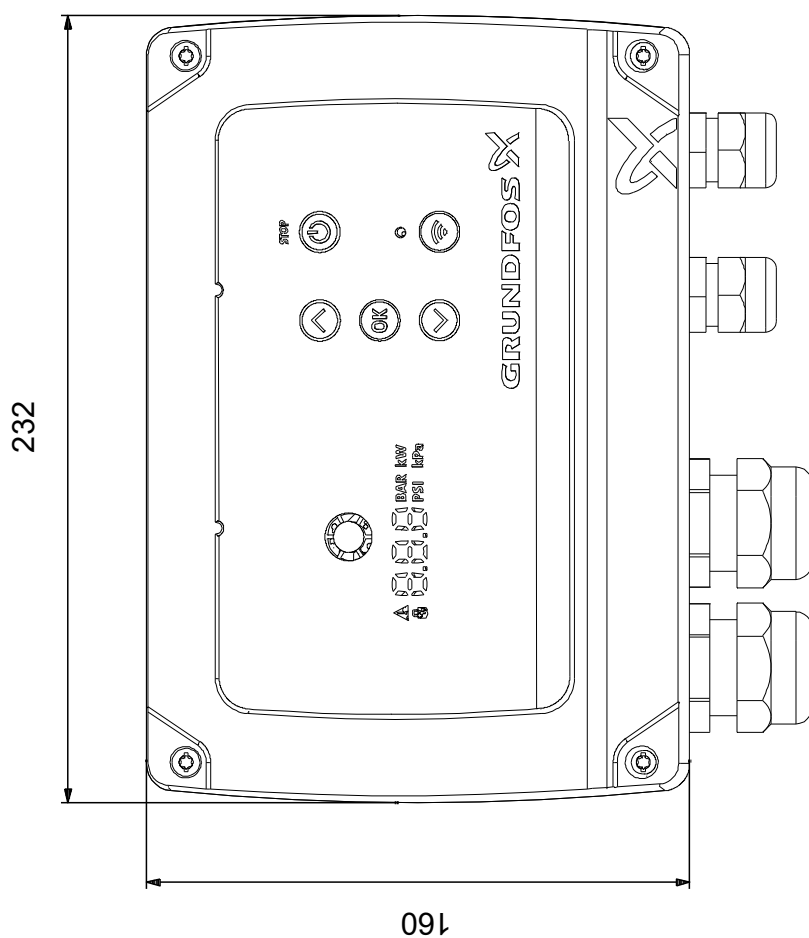
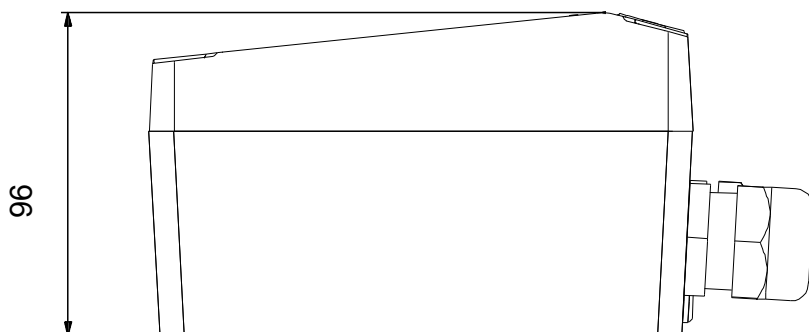
Data:

2026-05-11

Aprašymas	Vertė
Bendra informacija:	
Produkto pavadinimas:	CU 302
Produkto Nr.:	92799797
EAN numeris:	5715119769131
Techniniai duomenys:	
Sertifikatai:	CE,EAC,RCM,UKCA
Cable gland entry:	2xPG11 + 2xPG21
Medžiagos:	
Spintos medžiaga:	Plastic
Įrengimas:	
Aplinkos temperatūros intervalas:	-20 .. 50 °C
Relative humidity:	5-95 %
Spintos montavimas:	Montavimas ant sienos
Įžeminimas:	PE
Elektrotechniniai duomenys:	
Elektros tinklo dažnis:	50 / 60 Hz
Nominali įtampa:	1 x 90-240 V
Rated current:	12.5 A
Korpuso klasė (IEC 34-5):	IP55
Reikalingas atsarginis saugiklis:	16 A
IEC code battery designations:	CR2032
Battery chemistry:	LITHIUM
Valdikliai:	
Slėgio jutiklis:	N
Kita:	
Neto masė:	1.24 kg
Bruto masė:	1.51 kg
Tiekimo tūris:	0.006 m ³
Bendras aukštis:	160 mm
Bendras plotis:	232 mm
Kilmės šalis:	TH
Muitinės kodas:	85044095

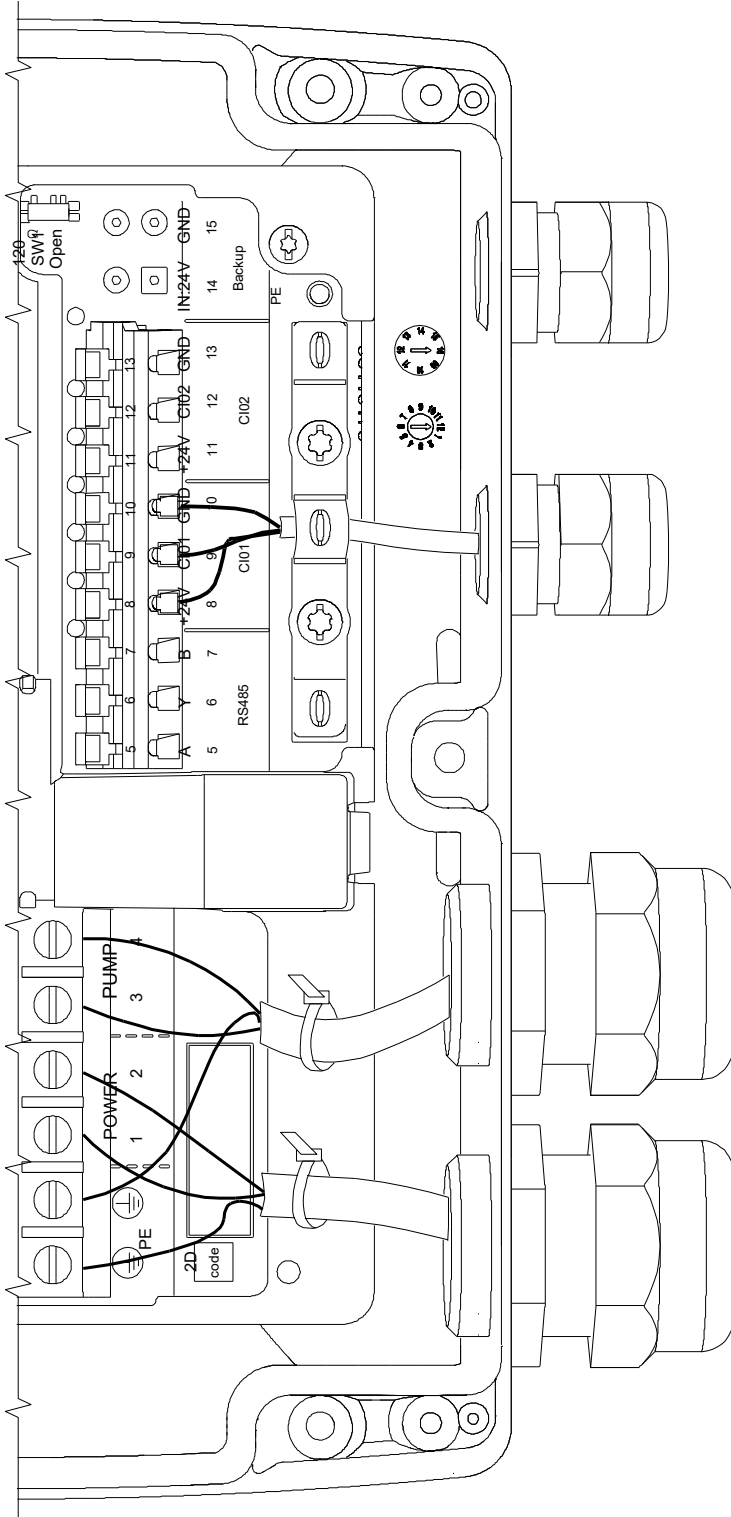


92799797 CU 302



Atkreipkite dėmesį! Visi matmenys, jei nenurodyta kitaip, pateikti milimetrais.
Atsakomybės apribojimas: šiame supaprastintame matmenų brėžinyje neparodytos visos detalės.

92799797 CU 302



Atkreipkite dėmesį! Visi matmenys, jei nenurodyta kitaip, pateikti milimetrais.

