



PERFORMANCE CURVES

2026-06-23

Page 2 / 3

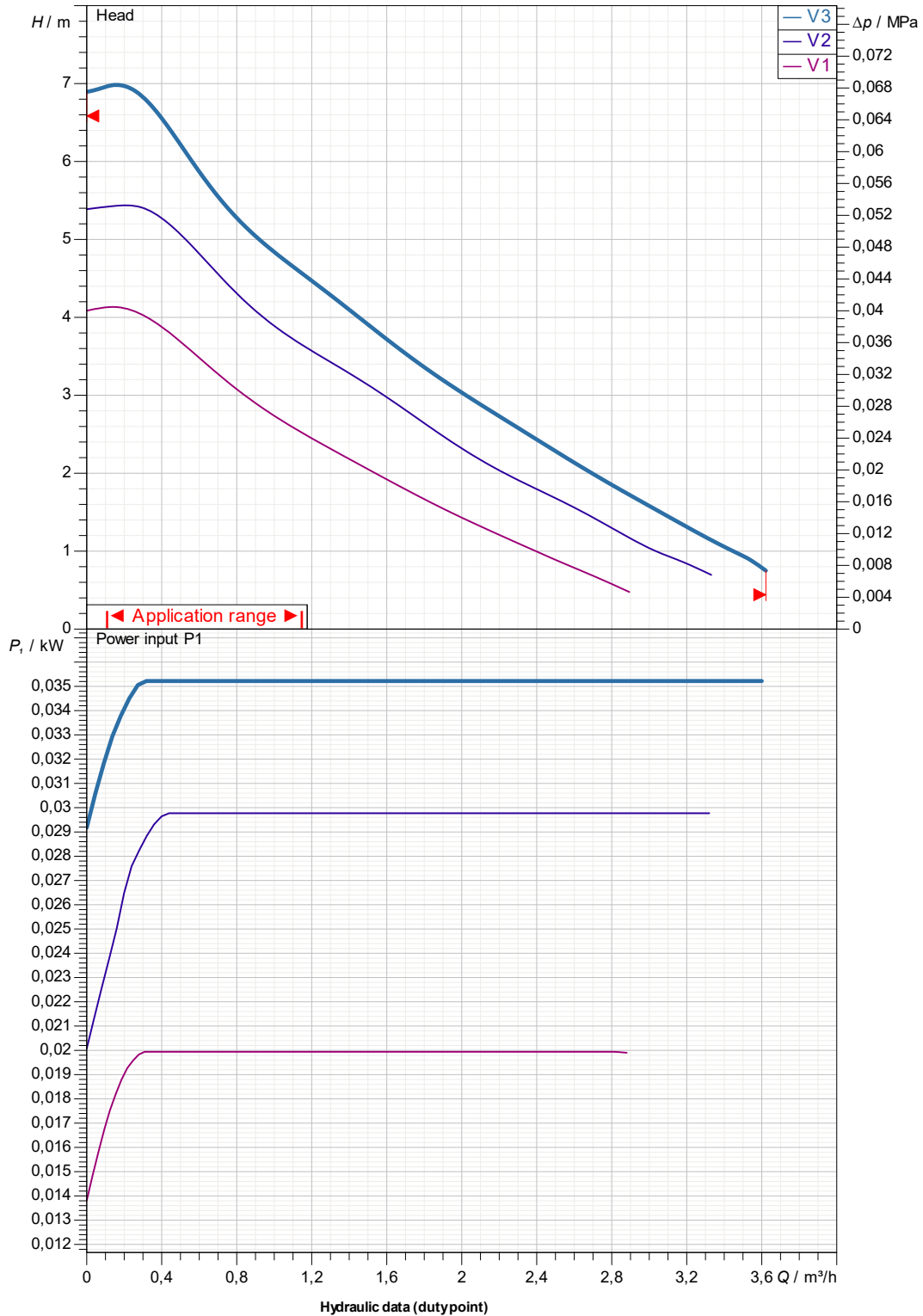
DAB PUMPS S.p.A.
Via Marco Polo, 14 - 35035 Mestrino (PD), Italy
Tel. +39 049 5125000 - Fax +39 049 5125950
www.dabpumps.com

Receiver

Company
Reference
Address
Phone
Fax
E-mail

EVOSTA2 40-70/180 X

Curve tolerance according to ISO 9906



Suction side :
2" G
1 MPa

Discharge side :
2" G
1 MPa

Flow :

Head :

Rated speed :
2.900 1/min

Project

Project ID

Created by

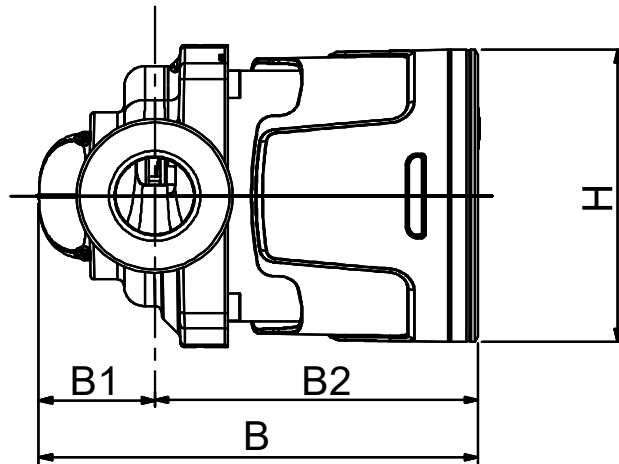
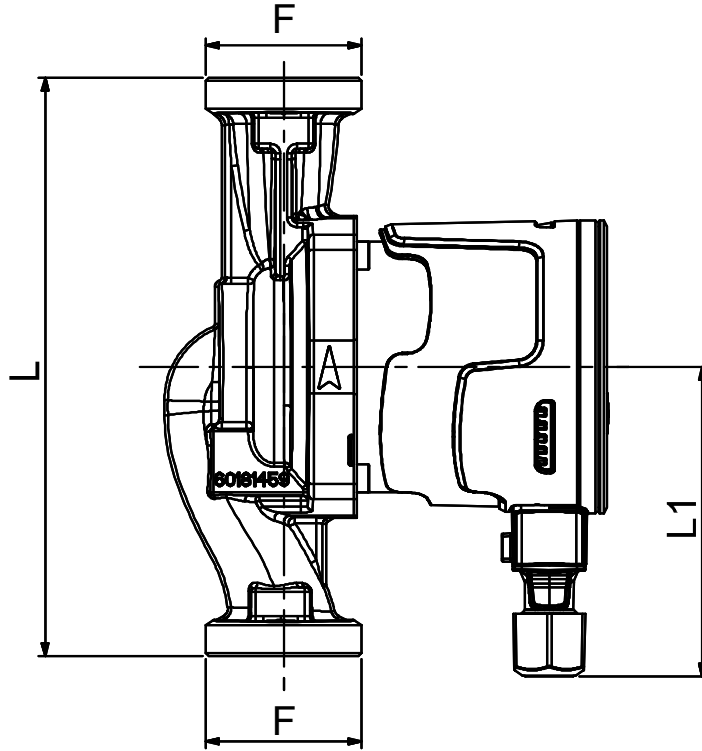
Created on

2026-06-23

Receiver

Company
Reference
Address
Phone
Fax
E-mail

EVOSTA2 40-70/180 X



Dimensions in mm

Pump connection

1	B	134,6							
2	B1	35,5							Suction
3	B2	99,1							2" G
4	F	2"							1 MPa
5	H	91							Discharge
6	L	180							2" G
7	L1	96							1 MPa
8									
9									
10									
11									

Project

Project ID

Created by

Created on

2026-06-23